



# ZODIAC

# MANTA<sup>®</sup> AG



Owner's Manual  
Guide du propriétaire

**BARACUDA<sup>®</sup>**  
*The World's Simplest Automatic Pool Cleaners*

# Zodiac Manta AG Limited Warranty

This Manta® was carefully inspected before shipment from our warehouse. Upon unpacking, if any part proves defective or missing, please notify Zodiac Pool Care, Inc. or Zodiac Pool Care Canada, Ltd. ("Zodiac") immediately. Please refer to the information in this manual for complete instructions on the installation and operation of your Manta.

ZODIAC WARRANTIES THIS MANTA POOL CLEANER:	IN US/MEXICO	IN CANADA
AGAINST ALL MANUFACTURING DEFECTS:	ONE (1) YEAR	TWO (2) YEARS
AGAINST WEAR AND TEAR:	ONE (1) YEAR	TWO (2) YEARS

ALL WARRANTIES ARE EFFECTIVE FROM THE DATE OF PURCHASE.

Should this product prove defective in workmanship, materials or wear during the applicable warranty period, the consumer's sole and exclusive remedy shall be such repair or replacement of the product as provided below.

**THE LIMITED WARRANTY PROVIDED HEREIN IS THE SOLE AND EXCLUSIVE WRITTEN WARRANTY WITH RESPECT TO THE MANTA POOL CLEANER. ALL IMPLIED WARRANTIES IMPOSED BY APPLICABLE LAW, INCLUDING ANY IMPLIED WARRANTY OF MERCHANTABILITY OR FITNESS FOR A PARTICULAR PURPOSE, ARE LIMITED TO THE DURATION OF THE EXPRESS LIMITED WARRANTY. SOME STATES DO NOT ALLOW LIMITATIONS ON HOW LONG AN IMPLIED WARRANTY LASTS, SO THE ABOVE LIMITATION MAY NOT APPLY TO YOU.**

## THIS LIMITED WARRANTY EXCLUDES THE FOLLOWING:

1. Discoloration of the Manta pool cleaner. This is caused by reaction to ultraviolet rays and the chemicals used in the pool water. Discoloration does not affect the operating ability of the Manta. Therefore, this Limited Warranty does not cover the replacement of discolored parts.
2. Damage to or malfunction of the unit resulting from excess chlorination or improper water chemistry balance.
3. Replacement of parts which fail or become defective as a result of improper installation, negligence, misuse, abuse or tampering by unauthorized repair personnel.
4. Age, pool water imbalance, and improper installation can cause vinyl pool liners to become brittle or unduly wrinkled. Corrosion of the supporting walls and/or irregularities in the pool base may also cause liner failure. The use of this product in such an environment is at the pool owner's risk. Therefore, the pool owner hereby releases the manufacturer from any and all claims for damage where these conditions exist.
5. The Manta is designed for use in aboveground pools only. If unit is used in any other application, the pool owner hereby releases the manufacturer from any and all claims. This misuse will void all warranty on the unit.
6. In no event shall Zodiac be liable in contract or in tort, or under any other legal theory, for lost profits or revenues, loss of use or similar economic loss, or for indirect, special, incidental, consequential or similar damages, even if it has been advised of the possibility of such claim. Some jurisdictions do not allow the exclusion or limitation of incidental or consequential damages, so the above limitation or exclusion may not apply to you.

## IMPORTANT WARRANTY NOTICES FOR VINYL LINER POOL OWNERS

- Certain vinyl liner patterns are particularly susceptible to rapid surface wear or pattern removal caused by objects coming into contact with the vinyl surface, including pool brushes, pool toys, floats, fountains, chlorine dispensers, and automatic pool cleaners.
- Some vinyl liner patterns can be seriously scratched or abraded simply by rubbing the surface with a pool brush. Ink from the pattern can also rub off during the installation process or when it comes into contact with objects in the pool. **Zodiac is not responsible for, and the Limited Warranty does not cover, pattern removal, abrasion or marking on vinyl liners.**
- Vinyl liners are subject to deterioration or damage due to age, the effect of chemicals, corrosion or failure of the supporting walls; as well as improper installation, maintenance or cleaning of the supporting walls or base.
- Before installing the Manta, examine the interior of your pool carefully. If your vinyl liner is brittle or has stones, wrinkles, roots or metal corrosion in contact with the underside of the liner, or has damage to the base material or supporting walls, do not install the Manta before having a qualified professional perform the necessary repairs.

**Zodiac will not be responsible for liner damage caused by (1) a Manta cleaner which is in disrepair, (2) pattern removal from a vinyl liner, or (3) a Manta cleaner used in a pool having an aged or deteriorated liner.**

## WARRANTY PROCEDURES

No claim under this Limited Warranty will be recognized unless the registration card, included in your box, is completed and returned within thirty (30) days of the purchase date. **Only the original purchaser may submit a claim under this Limited Warranty.** Purchaser's claims against Zodiac, shall be limited to those claims which may be asserted under the Limited Warranty relating to any defect, malfunction or wear of the Manta.

To obtain warranty replacements or repair, contact Zodiac for authorization. When submitting a claim, always supply serial number, evidence of purchase date, retailer and a brief description of the problems/defects encountered. Zodiac reserves the right to repair or replace all defective or worn parts covered by this Limited Warranty and return same to purchaser, freight collect.

Zodiac assumes no responsibility for any warranties or representations made by other individuals or businesses beyond the express terms contained in this Limited Warranty. This warranty gives you specific legal rights, and you may also have other rights which vary from jurisdiction to jurisdiction.

For sale and use in the United States, Canada and Mexico only. This cleaner is not warranted or guaranteed outside of the United States, Canada or Mexico.

### To ensure prompt warranty service, should it be required, please:

- Complete and return the Zodiac Warranty Card.
- Record your purchase information.
- Attach a copy of your purchase receipt to this document.

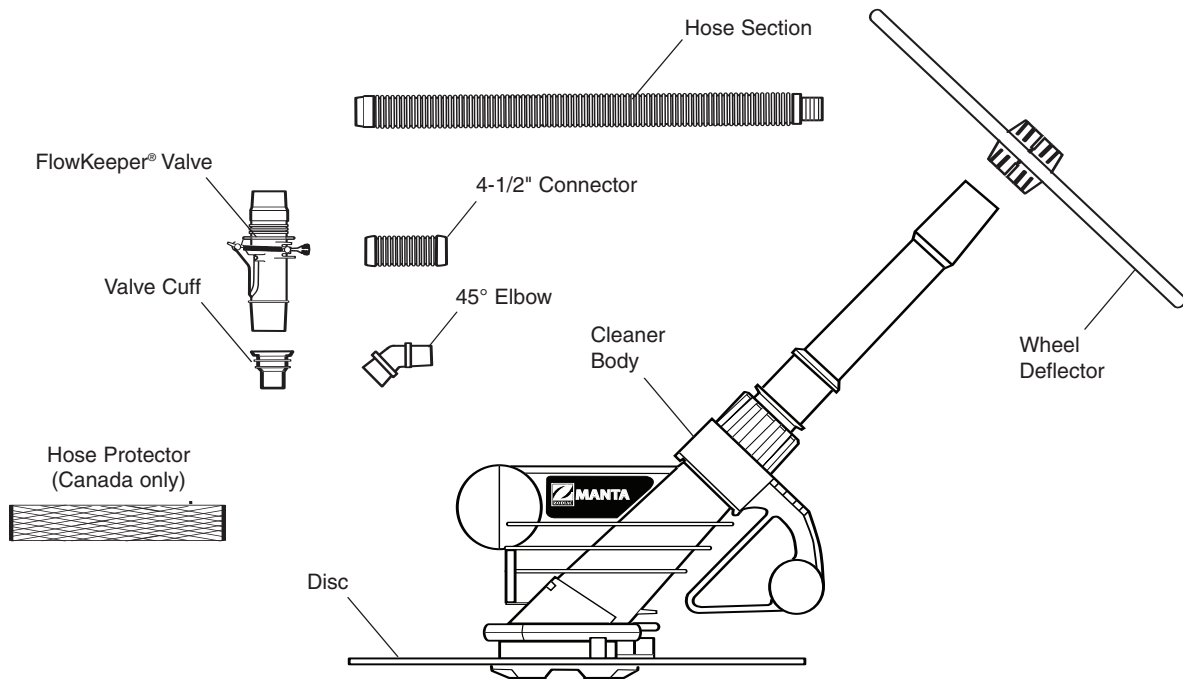
Date of Purchase: \_\_\_\_\_ Purchased From: \_\_\_\_\_

Serial Number (Located on underside of cleaner) \_\_\_\_\_

If service is required, simply present your manual with the attached receipt at any Zodiac authorized warranty center.

# Introduction

Congratulations on the purchase of your new Zodiac Manta® automatic pool cleaner, and thank you for choosing Zodiac. Powered by Baracuda technology, the Manta is designed and manufactured for easy installation, and years of carefree operation. Before installing the cleaner, please take a few moments to become familiar with its components and to review the items listed under **Important Information** below.



## Important Information

**Notice for Vinyl Liner Pools:** Before installing your new Manta, examine the interior of your pool carefully. If the vinyl liner is brittle or has stones, wrinkles, roots or metal corrosion in contact with the underside of the liner, or has damage to the base material or supporting walls, do not install the cleaner before having a qualified professional perform the necessary repairs or liner replacement. **Zodiac will not be responsible for liner damage caused by a cleaner which is in disrepair, pattern removal from a vinyl liner, or a cleaner used in a pool having an aged or deteriorated liner.** Please see Limited Warranty.

- Clean the skimmer basket, pump basket and pool filter before installing the Zodiac cleaner and on a regular basis thereafter.
- Always disconnect the Manta before cleaning or backwashing the pool filter. After cleaning, let the filtration system run for at least five minutes before re-connecting the cleaner.
- Remove the Manta from the pool before chemical or shock treatments. Wait a minimum of four hours after super chlorination before re-installing the cleaner.

### For customer service or support:

**Zodiac Pool Care, Inc.**

2620 Commerce Way

Vista, CA 92081-8438

1-800-822-7933

[www.zodiacpoolcare.com](http://www.zodiacpoolcare.com)

**Zodiac Pool Care Canada, Ltd.**

2115 South Service Road West, Unit 3

Oakville, ON, Canada L6L 5W2

1-888-647-4004

[www.zpc.ca](http://www.zpc.ca)

# Installation

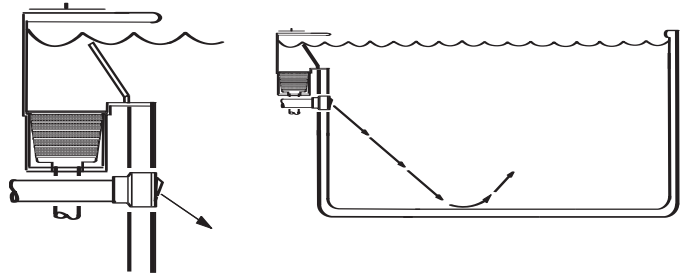
## Prepare the Pool

Inspect the interior of your pool. If the liner is brittle, has wrinkles, root or metal corrosion from the underside, or damage to the supporting base or walls, do not install the cleaner until a qualified professional makes any necessary repairs.

1. Manually vacuum the pool if excessive debris is present, and make sure the pool filter and pump basket are clean.
2. **Adjust the return lines to blow downward to break up surface circulation and ensure complete cleaning coverage.**

- Loosen the fitting lock ring
- Redirect the eyeball downward
- Retighten the lock

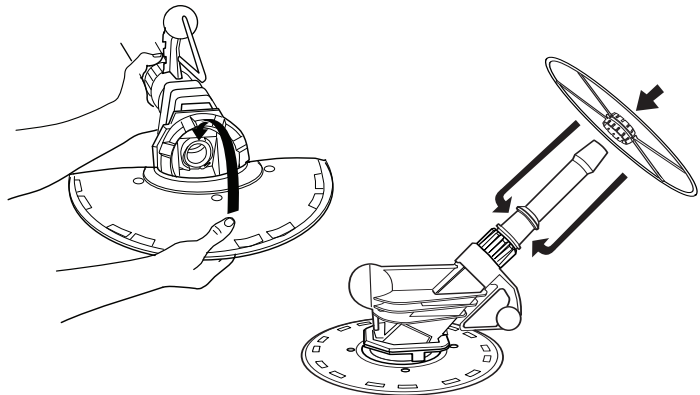
**If the return fitting cannot be adjusted, the fitting must be replaced** with a Zodiac return line diverter (part #W90153 for 1-1/2", #W90155 for 2" or #W24100 for pools without return fittings).



## Assemble the Cleaner

Stretch the disc over the foot pad with the word "TOP" facing up. The disc should fit securely in the groove and rotate freely on the pad.

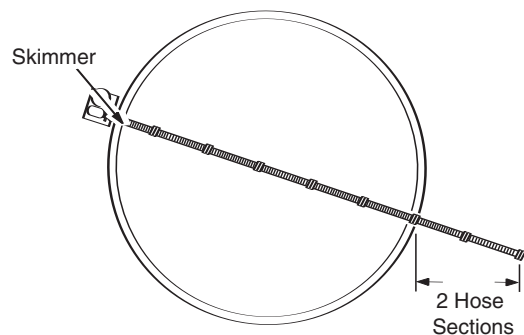
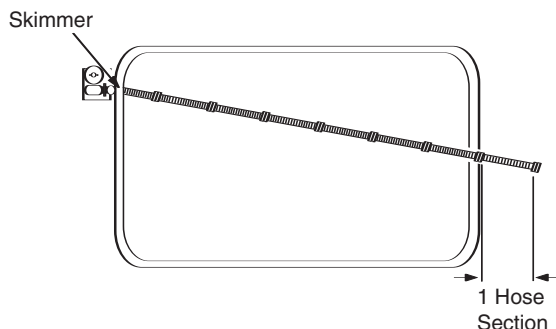
Slide the wheel deflector onto the extension pipe until it is secure between the two lowest pipe ridges. The deflector should rotate freely.



## Assemble the Hose

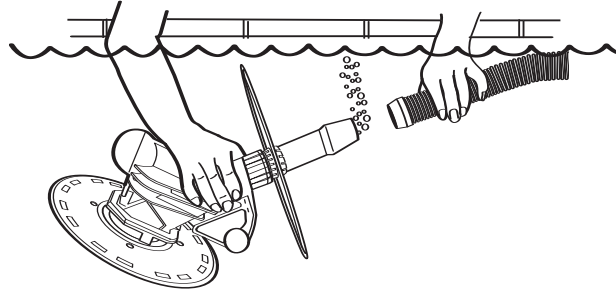
For corner or end installations, connect enough hose to reach the farthest point of the pool and then add one more section.

For center installations, connect enough hose to reach the farthest point of the pool and then add two more sections.



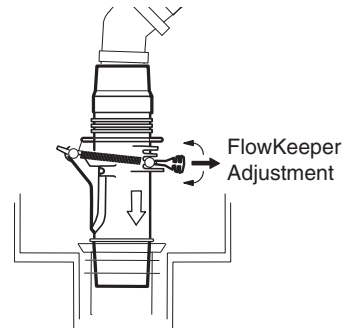
## Connect the Cleaner

1. Submerge the cleaner and flood it with water.
2. When bubbles stop coming from the extension pipe, connect the hose to the cleaner.
3. Turn on the filtration system and fill the hose with water by placing the end in front of a return inlet until it is flooded. Turn off the pump.



## Connect the Hose

**The FlowKeeper Valve must be used on all installations.** The valve regulates flow to ensure the pool pump and cleaner run properly. It is pre-set at the factory to optimize the performance of the cleaner, but offers three settings to adjust the flow. The lower the setting number, the lower the flow. To adjust, pull the handle and move setting up or down. The red tab can be used to open the valve and stop the cleaner.

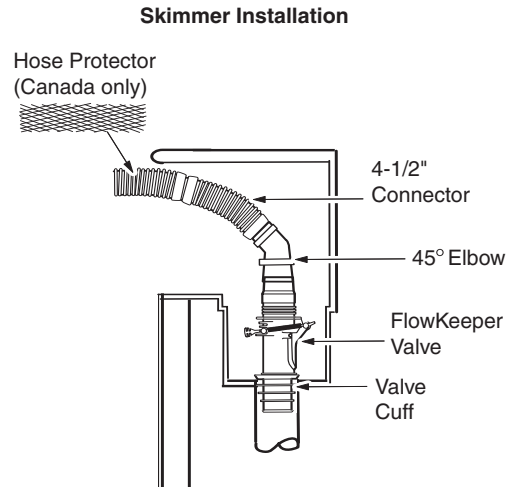


**Install the FlowKeeper Valve with the arrow facing down** towards the skimmer pipe.

Using the parts as indicated, connect the hose to the skimmer. For Canadian installations, the hose protector attaches to the hose section that goes into the skimmer.

Be sure to keep the hose and cleaner completely submerged to keep air out of the system.

Once the hose is connected, turn on the pool pump and begin cleaning. Installation is complete.



# Operation and Maintenance

Cycling on and off with the pool filtration system, the Manta moves randomly around the pool, vacuuming and cleaning the pool floor as it goes. The cleaner is not designed to climb the pool walls. As water flows through the cleaner, dirt and debris are pulled directly into the filtration system.

To maintain cleaner performance:

- Thoroughly clean the skimmer basket, pump basket and filter regularly. **Always disconnect the cleaner before backwashing.** Run the filtration system for at least five minutes before re-connecting.
- Always remove the cleaner from the pool before super chlorinating or adding pool chemicals. Wait at least four hours before re-connecting the cleaner.
- Never coil the hose. Straighten a coiled hose with warm water or by laying it in the sun for a day. **A kinked or coiled hose will adversely effect the Manta's coverage of the pool.**
- When not in the pool, keep the slotted disc flat to avoid warping.
- Periodically inspect cleaner parts for wear.

## Clearing the Diaphragm

A quick access system allows easy access to inspect and clear the diaphragm.

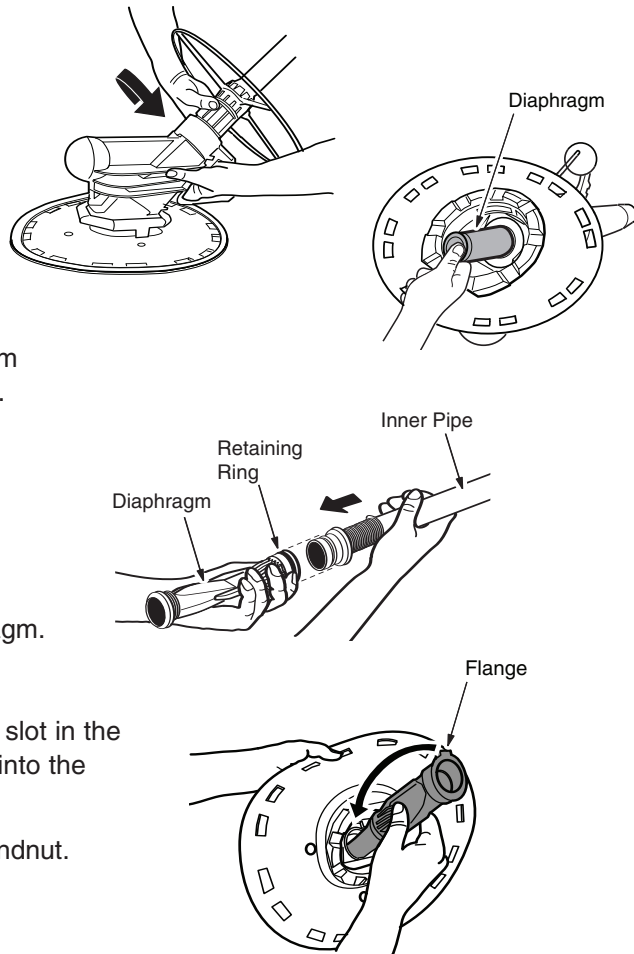
### To remove:

1. Turn handnut counter-clockwise to loosen the outer extension pipe. Remove the pipe.
- 2.. Turn the cleaner over. Grasping the diaphragm flange, pull out the diaphragm and inner pipe.
3. Pull off the diaphragm.

Inspect it for debris or wear, and rinse it thoroughly with water. Replace if necessary.

### To install:

1. Verify that the retaining ring is on the diaphragm.
2. Push diaphragm onto inner pipe.
3. Aligning the flange of the diaphragm with the slot in the cleaner body, push the diaphragm assembly into the cleaner until it is flush against the inlet plate.
4. Reinstall outer extension pipe and secure handnut. Do not over tighten.



## Storage and Winterizing

Never coil the hose. Always store the cleaner out of direct sunlight. When storing for the winter, drain all water from the cleaner. Remove all connectors and adapters from the skimmer. Store disc flat, and hose sections disconnected, drained and straight.

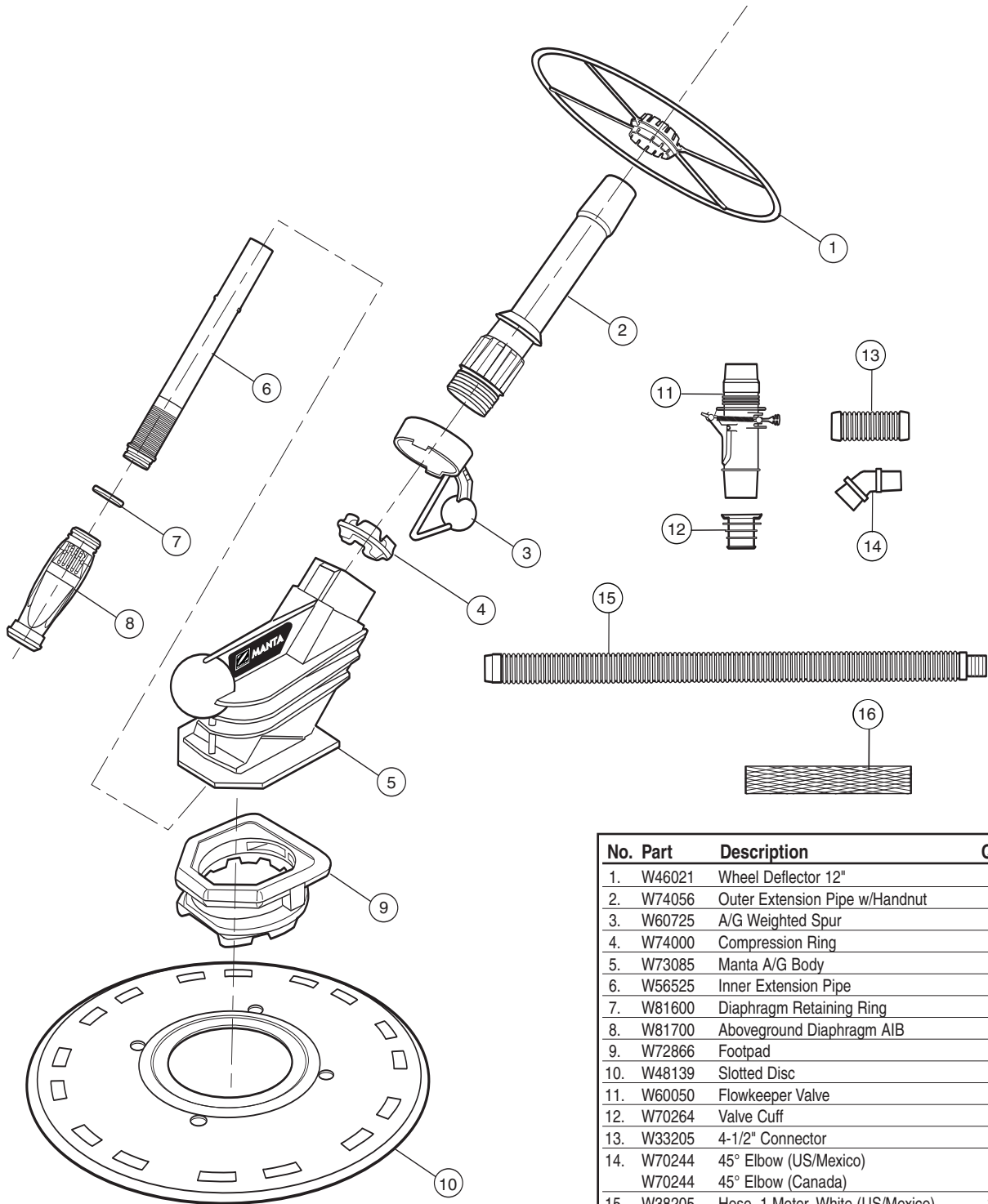
# Troubleshooting

If you experience a problem with your Manta, please follow the troubleshooting steps below to restore performance. If further assistance is required, contact Zodiac Customer Service. Please have your serial number and date of purchase available when you call.

<b>Problem</b>	<b>Solution</b>
Cleaner does not move or moves slowly.	<p>Note: In water 60° F (16° C) or less, it may be necessary to increase flow to compensate for the reduced flexibility of the hose and diaphragm.</p> <ul style="list-style-type: none"><li>• Ensure FlowKeeper Valve is installed with arrow pointing down towards skimmer pipe.</li><li>• Adjust FlowKeeper Valve to increase flow to cleaner.</li><li>• Clean baskets and filter.</li><li>• Check diaphragm for damage or wear.</li><li>• If the pool has multiple skimmers, verify that the skimmer not connected to the cleaner is closed.</li><li>• Check for air in system. If water level in pump basket drops or you see excessive air bubbles in the pump basket or coming from the return lines, there is air in the system. Check hose connections, tighten all fittings at pump and check gasket in pump basket for wear.</li></ul>
Cleaner patterns, does not cover entire pool.	<ul style="list-style-type: none"><li>• Ensure return fittings are directed down. Add a return diverter if necessary.</li><li>• Make sure hose is not kinked or coiled. Lay in sun to straighten if necessary.</li><li>• Confirm proper hose length.</li><li>• Adjust FlowKeeper Valve to increase flow to cleaner.</li></ul>
Cleaner gets stuck at steps.	<ul style="list-style-type: none"><li>• Confirm proper hose length. Shorten if necessary.</li><li>• Lower the FlowKeeper Valve setting to reduce flow to the cleaner.</li><li>• Install larger (16") wheel deflector, part #46155.</li></ul>
Cleaner moves extremely fast or climbs walls.	<ul style="list-style-type: none"><li>• Lower the FlowKeeper Valve setting to reduce flow to the cleaner.</li><li>• Open a second skimmer if there is more than one.</li></ul>

# Manta Parts Diagram

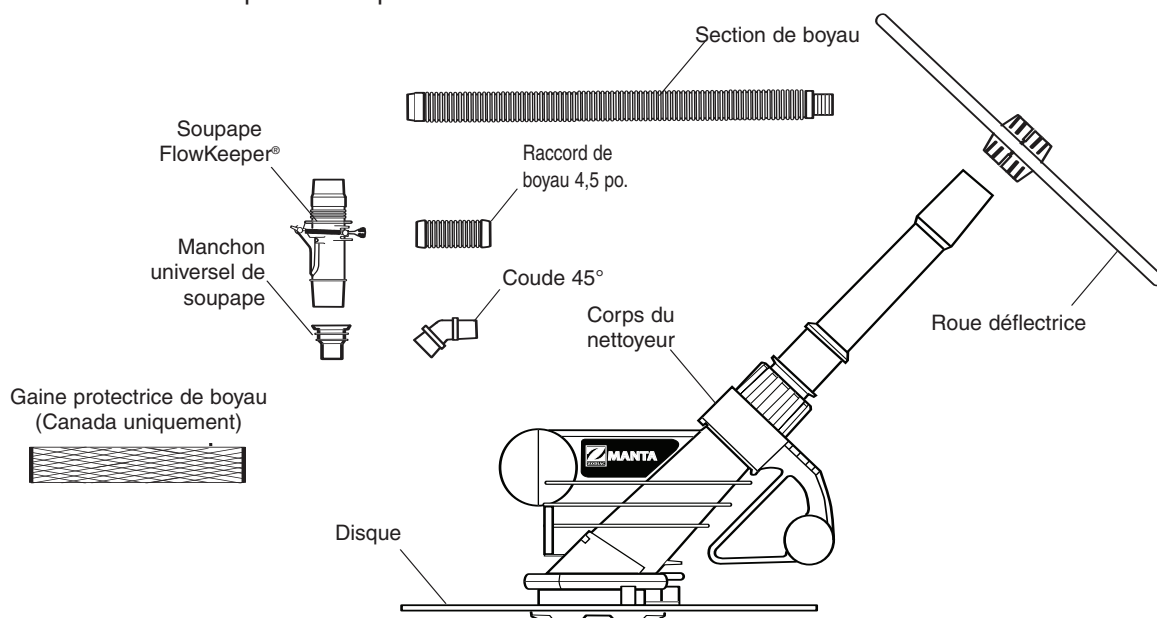
English



No. Part	Description	Qty
1.	W46021 Wheel Deflector 12"	1
2.	W74056 Outer Extension Pipe w/Handnut	1
3.	W60725 A/G Weighted Spur	1
4.	W74000 Compression Ring	1
5.	W73085 Manta A/G Body	1
6.	W56525 Inner Extension Pipe	1
7.	W81600 Diaphragm Retaining Ring	1
8.	W81700 Aboveground Diaphragm AIB	1
9.	W72866 Footpad	1
10.	W48139 Slotted Disc	1
11.	W60050 Flowkeeper Valve	1
12.	W70264 Valve Cuff	1
13.	W33205 4-1/2" Connector	1
14.	W70244 45° Elbow (US/Mexico)	1
	W70244 45° Elbow (Canada)	2
15.	W38205 Hose, 1 Meter, White (US/Mexico)	10
	W38205 Hose, 1 Metre, White (Canada)	11
16.	W33800 Hose Protector (Canada only)	1



Nous vous félicitons d'avoir acheté un nouvel appareil automatique de nettoyage Zodiac Manta® et nous vous remercions d'avoir choisi Zodiac. Le Manta utilise la technologie Baracuda, et a été conçu et fabriqué pour être facilement installé et pour vous offrir des années de services sans souci d'entretien. Avant d'installer l'appareil de nettoyage, veuillez prendre un moment pour vous familiariser avec ses composants et pour vérifier la liste des pièces indiquée ci-dessous.



## Informations importantes

**Avis pour les piscines à garniture intérieure en vinyle :** Avant d'installer votre appareil Manta veuillez soigneusement vérifier l'intérieur de votre piscine. Si la garniture en vinyle apparaît friable, si des pierres, des plis, des racines, ou des pièces métalliques corrodées se trouvent sous cette garniture, ou si l'assise ou les murs de soutiens sont endommagés, adressez-vous à un professionnel compétent afin qu'il fasse les réparations nécessaires ou qu'il remplace la garniture avant l'installation de l'appareil de nettoyage. **Zodiac n'assumera aucune responsabilité pour tout dommage à la garniture causé par un appareil de nettoyage en mauvais état, par le retrait d'une structure de garniture vinyle ou par l'utilisation de l'appareil de nettoyage dans une piscine dont la garniture est usée ou abîmée.** Veuillez consulter la garantie limitée.

- Nettoyez le panier de l'écumoire, le panier de la pompe et le filtre de la piscine avant d'installer l'appareil de nettoyage Zodiac, et ensuite entretenir régulièrement.
- Veuillez toujours débrancher le Manta avant de nettoyer le filtre à contre-courant de la piscine. Après tout nettoyage, faites marcher le système de filtration pendant au moins cinq minutes avant de brancher à nouveau l'appareil de nettoyage.
- Veuillez toujours retirer le Manta de la piscine avant de procéder à des traitements chimiques ou de choc. Après une superchloration de l'eau, attendez au moins quatre heures avant de réinstaller l'appareil de nettoyage.

### Service clientèle et support : Zodiac Pool Care, Inc.

2620 Commerce Way  
Vista, CA 92081-8438  
1-800-822-7933  
www.zodiacpoolcare.com

### Zodiac Pool Care Canada, Ltd.

2115 South Service Road West, Unit 3  
Oakville, ON, Canada L6L 5W2  
1-888-647-4004  
www.zpc.ca

# Installation

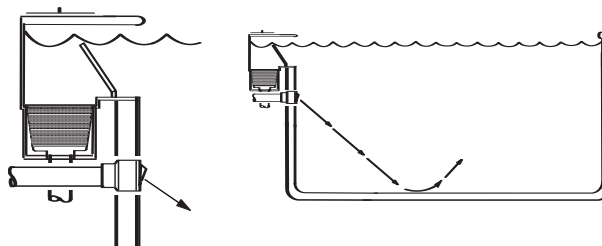
## Préparation de la piscine

Inspectez l'intérieur de votre piscine. Si la garniture apparaît friable, si des plis, des racines, ou des pièces métalliques corrodées se trouvent sous cette garniture, ou si l'assise ou les murs de soutiens sont endommagés, n'installez pas l'appareil de nettoyage avant qu'un professionnel compétent n'ait effectué les réparations nécessaires.

1. Nettoyez manuellement la piscine avec un aspirateur si des débris sont présents en excès et vérifiez que le filtre de la piscine et le panier de la pompe sont propres.

2. Orientez les jets de refoulement vers le fond de la piscine pour interrompre la circulation à la surface pour garantir que le nettoyeur couvre la piscine au complet.

- Desserrez la bague de retenue
- Orientez la bille vers le bas
- Resserrez la bague de retenue

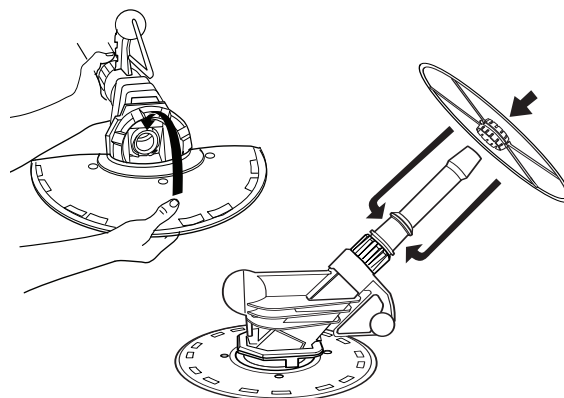


Si les jets de refoulement ne peuvent pas être ajustés, les jets de refoulement doivent être remplacés par un déflecteur de boyau de retour (pièce no. W90153 pour 1-1/2 po., no. W90155 pour 2 po. ou no. W24100 pour les piscines sans raccord de retour).

## Montage de l'appareil de nettoyage

Étirez le disque à fente par dessus la coupelle en vérifiant que le mot « TOP » est dirigé vers le haut. Le disque doit s'insérer fermement dans la rainure et tourner librement sur la coupelle.

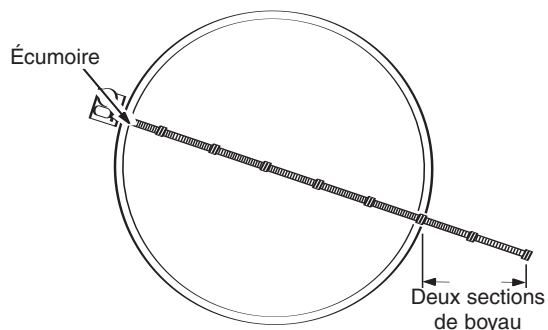
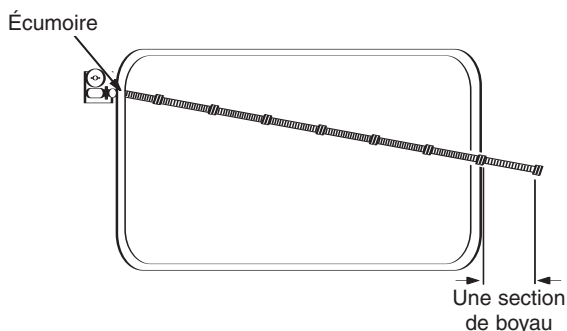
Glissez la roue déflectrice sur le tuyau-rallonge externe jusqu'au point qu'elle est solidement placée entre les deux rainures.



## Montage du boyau

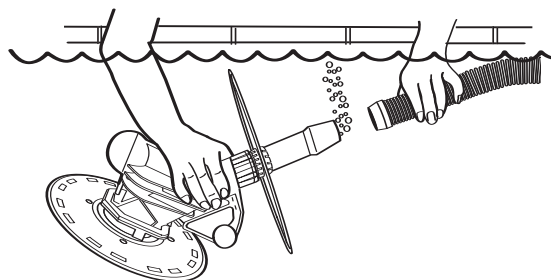
Pour les installations en coin ou en bout de piscine, branchez une longueur suffisante de boyau pour atteindre le point le plus éloigné de la piscine et ajoutez une section supplémentaire.

Pour les installations au centre de la piscine, branchez une longueur suffisante de boyau pour atteindre le point le plus éloigné de la piscine et ajoutez deux sections supplémentaires.



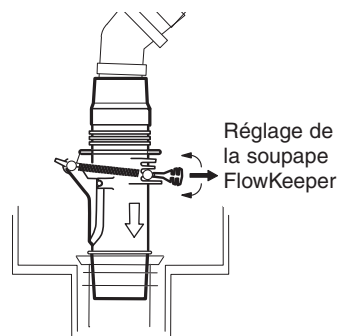
## Branchement de l'appareil de nettoyage

1. Submergez l'appareil ainsi que le boyau dans l'eau de la piscine.
2. Lorsque les bulles cessent de s'échapper du tuyau-rallonge, attachez le boyau à l'appareil.
3. Mettez en marche le système de filtration et remplissez d'eau le tuyau en positionnant l'extrémité devant une entrée de retour jusqu'à ce que le boyau soit noyé. Arrêtez la pompe de la piscine.



## Branchement du boyau

**La soupape FlowKeeper doit être utilisée sur toutes les installations.** La soupape régule le débit d'eau pour assurer que la pompe de la piscine et l'appareil de nettoyage fonctionnent correctement. Elle est pré-réglée à l'usine pour optimiser la performance de l'appareil, mais trois réglages permettent d'ajuster le débit. Plus le chiffre est petit, plus le débit est faible. Pour ajuster le débit, tirez sur la poignée pour augmenter ou diminuer le réglage. Vous pouvez utiliser la languette rouge pour ouvrir la soupape et arrêter l'appareil.

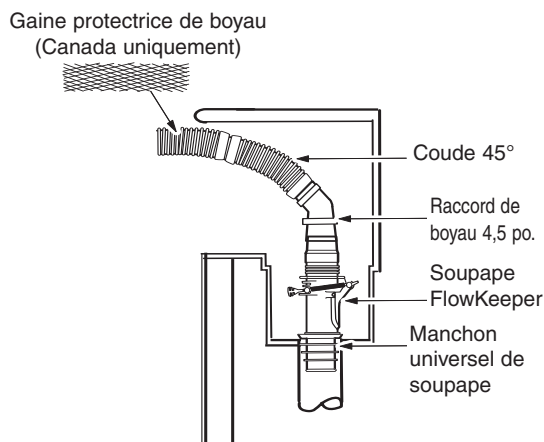


**Installez la soupape FlowKeeper avec la flèche tournée vers le bas en direction du conduit de l'écumoire.**

Utilisez les pièces comme indiqué pour brancher le boyau sur l'écumoire. Pour les installations au Canada, la gaine protectrice du boyau se connecte à la section de tuyau qui se branche sur l'écumoire.

Veillez à bien garder le boyau et l'appareil de nettoyage complètement submergés pour éviter toute entrée d'air dans le système.

Une fois le boyau branché, mettez en marche la pompe de la piscine et commencez à nettoyer. L'installation est terminée.



# Fonctionnement et entretien

Le Manta travaille en même temps que les cycles du système de filtration de la piscine et se déplace au hasard autour de la piscine en aspirant et en nettoyant le fond de la piscine au passage. Le système n'est pas conçu pour grimper les parois de la piscine. Lorsque l'eau s'écoule à travers l'appareil de nettoyage, les saletés et les débris sont entraînés directement dans le système de filtration de la piscine.

Pour maintenir la performance de l'appareil :

- Nettoyez régulièrement et en profondeur le panier de l'écumoire, le panier de la pompe et le filtre. Il faut toujours débrancher l'appareil avant de laver à contre-courant. Faites tourner le système de filtration pendant au moins cinq minutes avant de rebrancher l'appareil.
- Retirez l'appareil de nettoyage de la piscine avant un processus de superchloration ou d'ajouter des produits chimiques dans la piscine. Attendez au moins quatre heures avant de rebrancher l'appareil.
- N'enroulez jamais le boyau. Un boyau courbé peut être redressé en le passant sous l'eau chaude ou en le laissant exposé au soleil pendant une journée. **Un boyau déformé ou courbé compromettra la couverture de la piscine par le Manta.**
- Lorsqu'il n'est pas dans la piscine, maintenez le disque à fente à plat pour éviter qu'il ne se voile.
- Inspectez périodiquement le niveau d'usure des pièces de l'appareil.

## Dégagement de l'obturateur

Un système d'accès rapide permet de dégager et d'inspecter facilement l'obturateur.

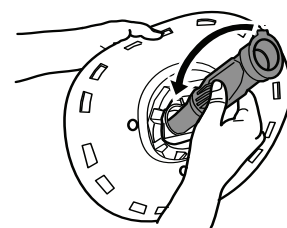
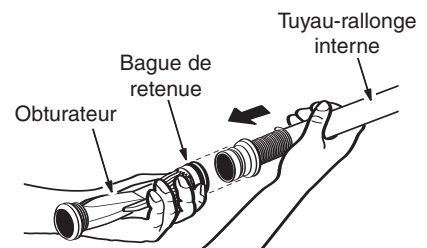
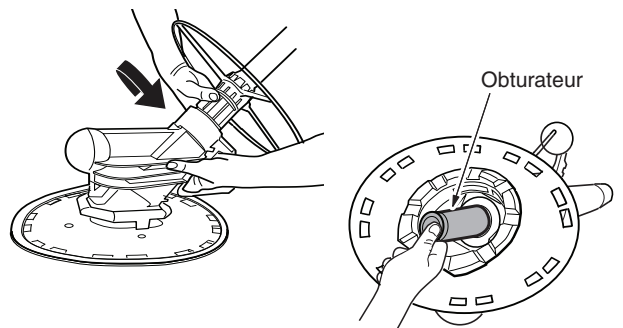
**Pour dégager l'obturateur :**

1. Tournez l'écrou manuel en contre sens pour faire desserrer le tuyau-rallonge externe. Retirez le boyau.
2. Retournez l'appareil. Prenez le bout de l'obturateur puis retirez l'obturateur et le tuyau-rallonge interne.
3. Retirez l'obturateur.

Examinez-le pour toute trace de débris ou d'usure et rincez-le soigneusement à l'eau. Remplacez l'obturateur si nécessaire.

**Installation :**

1. Vérifiez que la bague de retenue est bien sur l'obturateur.
2. Placez l'obturateur par-dessus le tuyau-rallonge interne.
3. Engagez la languette dans son encoche puis poussez l'assemblage de l'obturateur jusqu'au fond.
4. Reinstallez le tuyau-rallonge externe et fait solide l'écrou manuel. Il ne faut pas le trop serrer.



## L'entreposage et entretien en hiver

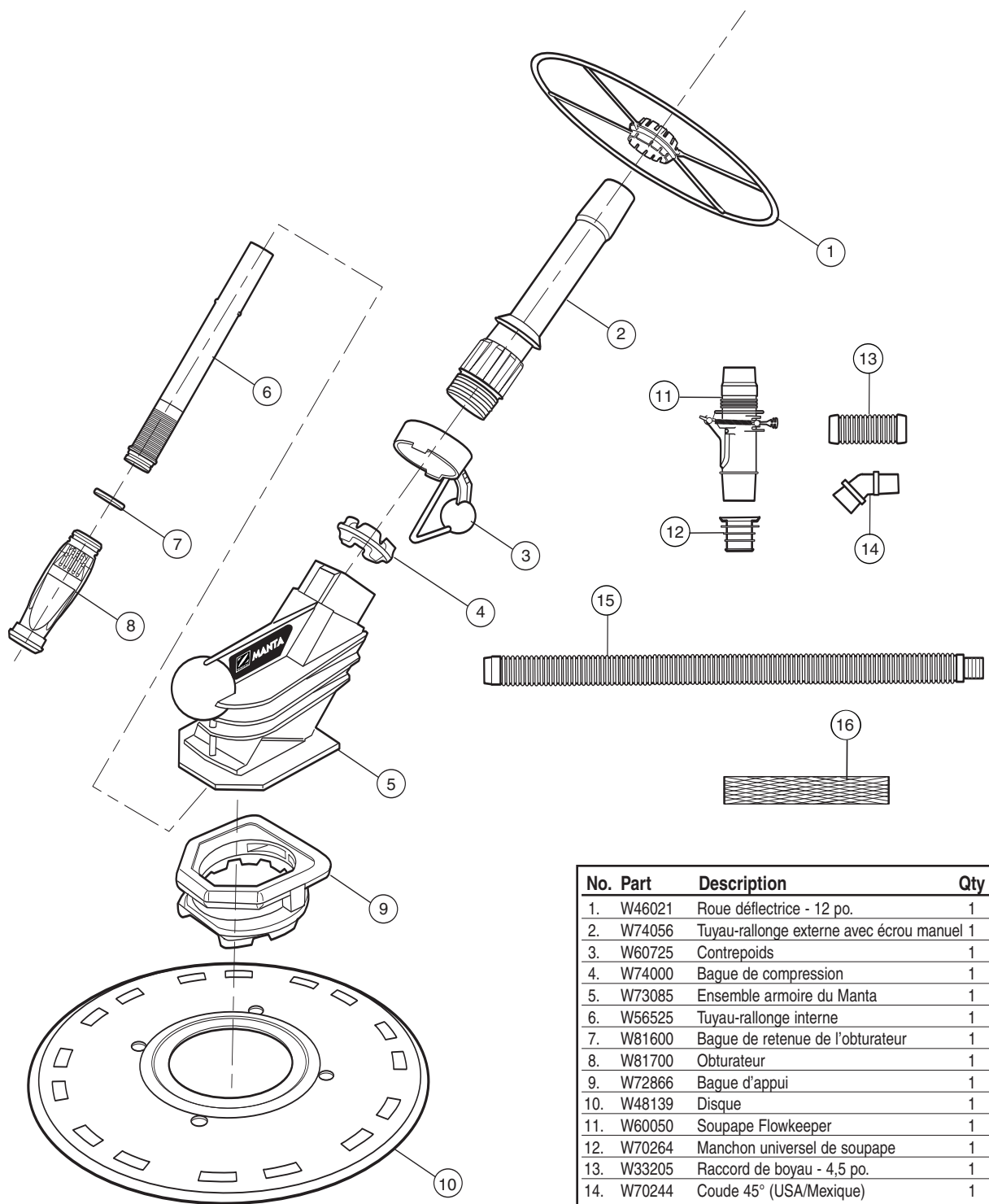
N'enroulez jamais le boyau. Gardez l'appareil à l'abri du soleil direct. Pour l'entreposage durant l'hiver, drainez tout l'eau de l'appareil et des boyaux. Retirez tous les connecteurs et adaptateurs de l'écumoire. Entreposez le disque à plat et les sections de boyau débranchées et droites.

En cas de problème avec l'appareil, veuillez suivre les étapes de dépannage suivantes pour rétablir la performance de l'appareil. Contactez le Service à la Clientèle de Zodiac pour toute assistance. Veuillez avoir le numéro de série et la date d'achat de l'appareil disponibles avant d'appeler.

<b>Problème</b>	<b>Solution</b>
L'appareil de nettoyage ne bouge pas ou bouge lentement.	<p>Remarque : En cas de température de l'eau de 16° C (60° F) ou inférieure, il peut être nécessaire d'augmenter le débit pour compenser la flexibilité réduite du boyau et de l'obturateur.</p> <ul style="list-style-type: none"><li>• Vérifiez que la soupape FlowKeeper est installée avec la flèche tournée vers le bas en direction du conduit de l'écumoire.</li><li>• Réglez la soupape FlowKeeper pour augmenter le débit de l'appareil.</li><li>• Nettoyez les paniers et le filtre.</li><li>• Vérifiez si l'obturateur est abîmé ou usagée.</li><li>• Si la piscine possède plusieurs écumoires, vérifiez que l'écumoire qui n'est pas branchée à l'appareil est bien fermée.</li><li>• Vérifiez s'il y a de l'air dans le système. Si le niveau d'eau dans le panier de la pompe baisse, ou que vous voyez un excédent de bulles d'air dans le panier ou en provenance des tuyaux de retour, c'est qu'il y a de l'air dans le système. Vérifiez les connexions du tuyau, resserrez tous les raccords à la pompe et vérifiez si les joints dans le panier de la pompe sont usés.</li></ul>
L'appareil suit un certain schéma et ne couvre pas toute la piscine.	<ul style="list-style-type: none"><li>• Vérifiez que les jets de refoulement sont dirigés vers le bas. Ajoutez un déflecteur de retour, si nécessaire.</li><li>• Vérifiez que le boyau n'est ni déformé ni coudé. Étendez le boyau au soleil pour le redresser, si nécessaire.</li><li>• Vérifiez que le boyau est de la longueur correcte.</li><li>• Réglez la soupape FlowKeeper pour augmenter le débit de l'appareil.</li></ul>
L'appareil de nettoyage reste fixé par moments.	<ul style="list-style-type: none"><li>• Vérifiez que le boyau est de la longueur correcte. Raccourcissez-le si nécessaire.</li><li>• Abaissez le réglage de la soupape FlowKeeper pour réduire le débit de l'appareil.</li><li>• Faites une installation d'une grande (16 po.) roue-déflexrice.</li></ul>
L'appareil de nettoyage bouge extrêmement vite ou grimpe sur les murs.	<ul style="list-style-type: none"><li>• Abaissez le réglage de la soupape FlowKeeper pour réduire le débit de l'appareil.</li><li>• Ouvrez une deuxième écumoire s'il y en existe.</li></ul>

# Diagramme des pièces

Français



No. Part	Description	Qty
1. W46021	Roue défléctrice - 12 po.	1
2. W74056	Tuyau-rallonge externe avec écrou manuel	1
3. W60725	Contrepoids	1
4. W74000	Bague de compression	1
5. W73085	Ensemble armoire du Manta	1
6. W56525	Tuyau-rallonge interne	1
7. W81600	Bague de retenue de l'obturateur	1
8. W81700	Obturateur	1
9. W72866	Bague d'appui	1
10. W48139	Disque	1
11. W60050	Soupape Flowkeeper	1
12. W70264	Manchon universel de soupape	1
13. W33205	Raccord de boyau - 4,5 po.	1
14. W70244	Coude 45° (USA/Mexique)	1
W70244	Coude 45° (Canada)	2
15. W38205	Boyau, 1 mètre, blanc (USA/Mexique)	10
W38205	Boyau, 1 mètre, blanc (Canada)	11
16. W33800	Gaine protectrice de boyau (Canada uniquement)	1

# Manta - Garantie limitée

Cet appareil Manta® a été soigneusement vérifié avant l'expédition de notre dépôt. Lors du déballage, si vous constatez que des pièces manquent ou sont en mauvais état, veuillez immédiatement en informer Zodiac Pool Care, Inc. ou Zodiac Pool Care Canada, Ltd. (« Zodiac »). Prière de consulter ce Guide du propriétaire qui contient des directives d'installation et d'opération détaillées et complètes pour votre Manta.

ZODIAC GARANTIT CET APPAREIL DE NETTOYAGE MANTA POUR PISCINE :	AUX USA ET AU MEXIQUE	AU CANADA
CONTRE TOUS DÉFAUTS DE FABRICATION :	POUR UN (1) AN	POUR DEUX (2) ANS
CONTRE L'USURE NORMALE :	POUR UN (1) AN	POUR DEUX (2) ANS

TOUTES LES GARANTIES SONT EN VIGUEUR À PARTIR DE LA DATE D'ACHAT.

Si cet appareil s'avère défectueux quant à ses matériaux sa fabrication, ou son usure durant la période de garantie applicable, le consommateur aura pour unique recours la réparation ou le remplacement de ce produit selon les termes énumérés ci-dessous.

**LA GARANTIE LIMITÉE INDIQUÉE DANS CE DOCUMENT EST LA SEULE GARANTIE ÉCRITE SE RAPPORTANT À L'APPAREIL DE NETTOYAGE MANTA POUR PISCINE. TOUTES GARANTIES IMPLICITES ÉTABLIES PAR LES LOIS EN VIGUEUR, Y COMPRIS LES GARANTIES IMPLICITES SE RAPPORTANT À LA QUALITÉ MARCHANDE OU DE CONVENANCE À UN USAGE PARTICULIER, SONT LIMITÉES AUX PÉRIODES DE GARANTIE CITÉES DE CETTE GARANTIE LIMITÉE EXPRES. CERTAINES JURIDICTIONS EXCLUENT LA PÉREMPTION DES DÉLAIS D'UNE GARANTIE IMPLICITE, DE SORTE QUE LES LIMITATIONS CI-DESSUS PEUVENT NE PAS VOUS ÊTRE APPLICABLES.**

## LES DOMMAGES CITÉS CI-DESSOUS SONT EXCLUS DE CETTE GARANTIE LIMITÉE:

1. La décoloration de l'appareil de nettoyage Manta pour piscine. Ceci peut être occasionné par les rayons ultraviolets et les produits chimiques utilisés dans l'eau de la piscine. La décoloration n'affecte pas le bon fonctionnement du Manta. Donc, le remplacement des pièces décolorées n'est pas couvert par cette garantie limitée.
2. L'endommagement ou le mauvais fonctionnement de l'appareil suite à un excès de chlore ou un déséquilibre chimique de l'eau.
3. Le remplacement des pièces défectueuses pour cause de mauvaise installation, de négligence, de mauvais usage, d'abus ou d'altération par un personnel non autorisé.
4. Le vieillissement, un déséquilibre dans l'eau de la piscine ou une mauvaise installation peuvent contribuer à la friabilité ou au plissement anormal de la garniture de la piscine. La corrosion des murs de soutiens ou des irrégularités du fond de la piscine peuvent aussi contribuer à la détérioration de la garniture en vinyle. L'utilisation de ce produit dans un tel environnement se fait aux propres risques du propriétaire. Par conséquent, le propriétaire libère ainsi le fabricant de toute responsabilité et de toute réclamation lorsque de telles conditions existent.
5. Le Manta est conçu uniquement pour un usage dans des piscines au dessus du sol. Si l'appareil est utilisé dans aucune autre application, le propriétaire de la piscine libère le fabricant de toute responsabilité et de toute réclamation. Un usage autre que celui recommandé pour cet appareil annulera toute garantie.
6. Zodiac ne sera, en aucun cas, tenu responsable de façon contractuelle, ni par responsabilité civile ni par tout autre concept légal, de la perte de profits ou de revenus, de la perte d'utilisation ou d'une perte économique similaire, des dommages indirects, spéciaux, consécutifs, indirects ou similaires, même après avoir été avisé de la possibilité d'une telle réclamation. Certaines juridictions ne permettent pas l'exclusion ou la limitation des dommages consécutifs ou indirects de sorte que ces limitations peuvent ne pas vous être applicables.

## AVIS DE GARANTIE IMPORTANTS POUR LES PROPRIÉTAIRES DE PISCINE AVEC GARNITURE VINYLE

- Certains modèles de garniture vinyle sont particulièrement sensibles à une usure rapide de la surface ou à un retrait de structure dus à des objets entrant en contact avec la surface vinyle. Parmi ceux-ci on trouve les brosses pour piscine, les jouets pour piscine, flotteurs, fontaines, distributeurs de chlore, et appareils automatique de nettoyage de piscine.
- Certains modèles de garniture vinyle peuvent être sérieusement rayés ou usés simplement en frottant la surface avec une brosse pour piscine. L'encre de la structure peut aussi se détacher pendant le processus d'installation ou lorsqu'elle entre en contact avec des objets se trouvant dans la piscine. **Zodiac n'est pas responsable pour, et la Garantie limitée ne couvre pas, le retrait de structure, l'abrasion ou les traces sur les garnitures en vinyle.**
- Les garnitures en vinyle sont soumises à la détérioration ou aux dommages dus au vieillissement, aux effets des produits chimiques, à la corrosion ou à la défaillance des murs de soutiens, ainsi qu'à une installation, un entretien ou un nettoyage incorrects des murs de soutiens ou de l'assise.
- Avant d'installer votre appareil Manta, veuillez examiner soigneusement l'intérieur de votre piscine. Si la garniture en vinyle apparaît friable, si des pierres, des plis, des racines, ou des pièces métalliques corrodées se trouvent sous cette garniture, ou si l'assise ou les murs de soutiens sont endommagés, n'installez pas le Manta avant qu'un professionnel compétent n'ait effectué les réparations nécessaires.

**Zodiac n'assumera aucune responsabilité pour tout dommage à la garniture causé par (1) un appareil de nettoyage Manta en mauvais état, (2) par le retrait d'une structure de garniture vinyle ou (3) par l'utilisation de l'appareil de nettoyage Manta dans une piscine dont la garniture est usée ou abîmée.**

## PROCÉDURES DE GARANTIE

Aucune réclamation ne sera reconnue sous cette garantie limitée à moins que la fiche d'enregistrement se trouvant dans l'emballage n'ait été remplie et renvoyée dans les trente (30) jours suivant la date d'achat. **La personne ayant acheté ce produit au détail est la seule à pouvoir soumettre une réclamation sous cette garantie limitée.** Toute réclamation contre Zodiac sera limitée à une défectuosité, un mauvais fonctionnement ou une usure du Manta conformément aux clauses de cette garantie limitée.

Pour que l'appareil soit remplacé ou réparé sous garantie, contactez Zodiac pour obtenir une autorisation. Lorsque vous soumettez une réclamation, assurez-vous de toujours inclure le numéro de série de l'appareil, une preuve d'achat avec la date, le nom du détaillant et une brève description des problèmes ou des défauts constatés. Zodiac se réserve le droit de réparer ou de remplacer toutes pièces défectueuses ou usagées couvertes par cette garantie limitée et de les renvoyer, frais de renvoi payables à la livraison.

Zodiac ne sera en aucun cas responsable de toute autre garantie ou représentation proposées par des tiers (individu ou société) au-delà des termes explicites de cette garantie limitée. Cette garantie vous donne des droits légaux spécifiques et vous pouvez posséder d'autres droits qui peuvent varier de juridiction en juridiction.

Produit destiné à la vente et l'utilisation aux États-Unis, au Canada et au Mexique uniquement. Cet appareil de nettoyage pour piscine n'est pas garanti en dehors des États-Unis, du Canada ou du Mexique.

### Ces démarches vous assureront un service rapide si vous devez faire appel à votre garantie.

- Remplissez et renvoyez la fiche d'enregistrement de la garantie Zodiac.
- Inscrivez les renseignements relatifs à votre achat.
- Joignez une photocopie de votre facture à ce document.

Date d'achat : \_\_\_\_\_ Fournisseur : \_\_\_\_\_

Numéro de série (situé en dessous de l'appareil) \_\_\_\_\_

Si une réparation ou un entretien sont nécessaires, vous n'aurez qu'à présenter votre Guide du propriétaire et votre facture dans un centre autorisé Zodiac n'importe où dans le pays.

Cet appareil de nettoyage pour piscines est protégé par un ou plusieurs des brevets canadiens ou américains énumérés ci-dessous ainsi que par la marque déposée canadienne suivante : Numéros de brevets américains : 4642833, 4742593, 5450645, 5418995 et 5315728. Numéros de brevets canadiens : 1254105, 1256262, 2134220 et 2181896.

Autres brevets en instance.





**Zodiac Pool Care, Inc.**

2620 Commerce Way  
Vista, CA 92081 USA • Tel: 1-800-822-7933

**Zodiac Pool Care Canada, Ltd.**

2115 South Service Road West, Unit 3  
Oakville, ON Canada L6L 5W2 • Tel: 1-888-647-4004