

Ray-Vac® Quick Disconnect Replacement Kit

FOR YOUR SAFETY: This product must be installed and serviced by authorized personnel qualified in pool/spa installation and maintenance. Improper installation and/or operation will void the warranty.

These instructions are to be used with the following Ray-Vac® Replacement Kits:

R0378000-- Ray-Vac Quick Disconnect Replacement Kit

This document gives instructions for replacing the Quick Disconnect coupler and reducer on Jandy Ray-Vac Pool Cleaners. The instructions must be followed exactly. Read through the instructions completely before starting the procedure. Please save these instructions.

Important: Both the wall reducer and the quick disconnect must be replaced at the same time.

1. Turn off the filter pump and/or booster pump.
2. To disconnect the cleaner hose from the pool wall, push in on the quick disconnect, turn it counterclockwise one quarter ($\frac{1}{4}$) of a turn and pull out.
3. Unscrew the old quick disconnect from the end of the Ray-Vac hose. Replace it with the new quick disconnect. **Very Important:** If your cleaner has a booster pump, remove the pressure reducing washer. Place the pressure reducing washer in the new quick disconnect, then put the hose washer in. Thread the quick disconnect back onto the end of the cleaner hose (See fig. 1).
4. At the pool wall, remove the old wall reducer from the wall fitting (it may be necessary to use pliers). Place the new reducer ($\frac{3}{4}$ " or $1\frac{1}{2}$ ") into the wall and hand-tighten (see fig. 2).
5. Push the quick disconnect (at the end of the cleaner hose) into the wall reducer. After approximately $\frac{1}{4}$ -turn clockwise, release pressure on the quick disconnect to seat tabs into the reducer's internal slots.
6. Turn on the filter pump and/or booster pump and check the operation of the Ray-Vac.

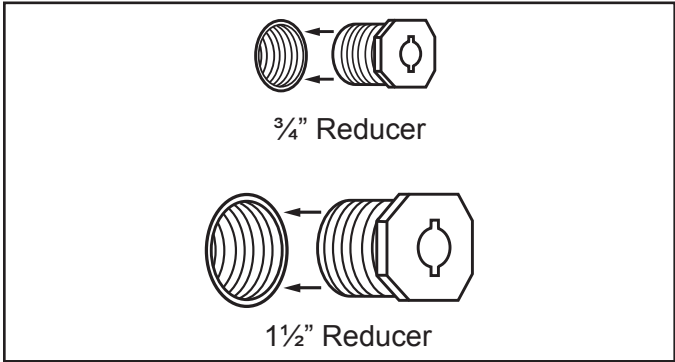


Figure 2. Reducers.

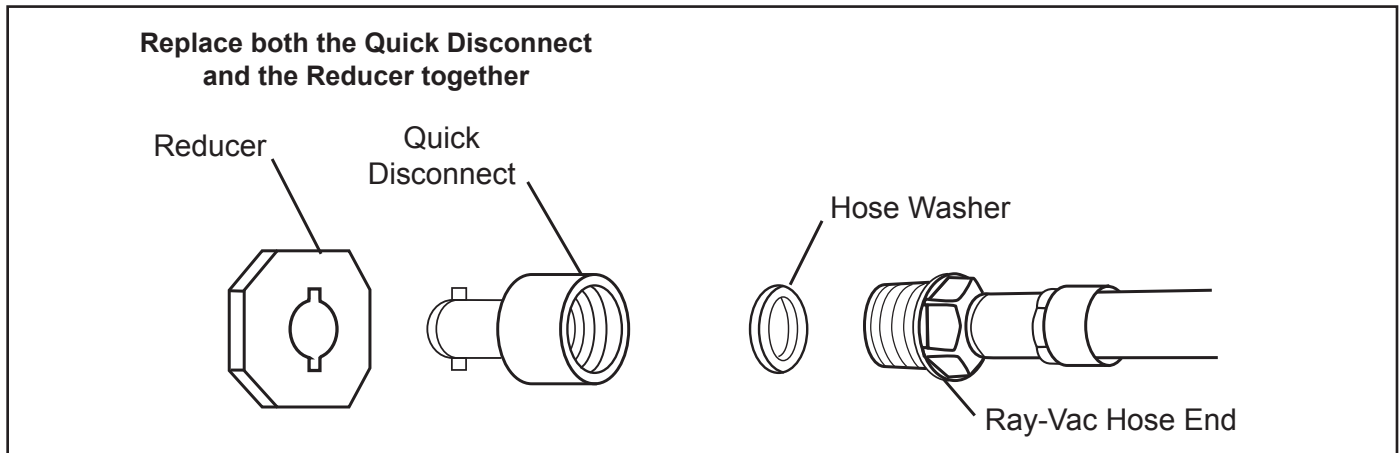


Figure 1. Ray-Vac hose end, exploded view.

Parts List

Description	Quantity
Washer Hose	1
Wall Fitting, ¾" Reducer	1
Wall Fitting, 1½" Reducer	1
Quick Disconnect	1
Instructions	1