

Ray-Vac® Hydro-Timer Replacement Kit

FOR YOUR SAFETY: This product must be installed and serviced by authorized personnel qualified in pool/spa installation and maintenance. Improper installation and/or operation will void the warranty.

These instructions are to be used with the following Ray-Vac® Replacement Kits:
R0376500-- Ray-Vac Hydro-Timer Replacement Kit

This document gives instructions for replacing the Hydro-Timer in Jandy Ray-Vac pool cleaners. The instructions must be followed exactly. Read through the instructions completely before starting the procedure. Please save these instructions.

A. Replacing the Hydro-Timer

1. Turn the pump(s) off and remove the Ray-Vac head and hoses from the pool.
2. Locate the Hydro-Timer and remove it from the hoses by unscrewing the finger screen case and the H.T. swivel (see Fig. 1).
3. Replace with new Hydro-Timer.

Note: If the old Hydro-Timer had a barbed fitting at the wall end, you must screw the 3/4" F.G.H. to Vinyl Hose fitting onto the male threads of the new Hydro-Timer (see Fig. 2).

4. Place the Ray-Vac head and hoses back into the pool.
5. Turn the pump(s) back on and check the operation of the Ray-Vac.

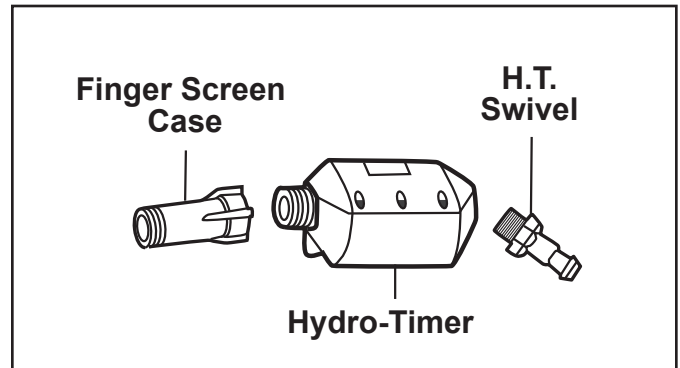


Figure 1. Hydro-Timer

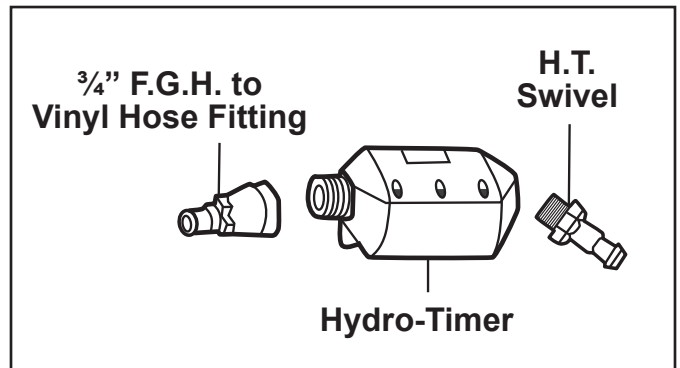


Figure 2. 3/4" to F.G.H. to Vinyl Hose Fitting

Parts List

Description	Quantity
Hydro-Timer	1
3/4" F.G.H. to Vinyl Hose Fitting	1
Instructions	1