



Polaris®

360



OWNER'S MANUAL

English | Français | Español

Before You Start: Important Information

- Before installing the Polaris® cleaner, make sure the pool filter is clean.
- New plumbing lines should be flushed out before installing the Polaris cleaner.
- The Polaris cleaner should not be used to remove plaster dust in new pools.
- Always disconnect the cleaner before cleaning or backwashing the pool filter.
- After cleaning or backwashing, let the filtration system run for at least five (5) minutes before reconnecting the cleaner.
- Always remove the cleaner from the pool before chemical shock treatments, such as super oxidation or chlorination.
- Solar heating systems, ozone generators, and other air inducing equipment may cause air flow through the cleaner, adversely affecting cleaner balance and performance. Plumb the dedicated cleaner line upstream of these components.
- Highly chlorinated water can cause maintenance problems. Avoid running the Polaris cleaner while chlorinating.

For customer service or support:

- Please mail warranty card immediately.
- For on-line support: www.polarispool.com
- To contact Polaris:

US and Canada
Customer Service
2620 Commerce Way
Vista, CA 92081-8438
1-800-822-7933

WARNING



To avoid risk of potentially serious injury:

- Do not handle the Polaris cleaner while it is operating, except when checking the wheel RPM.
- Always remove the Polaris cleaner before swimmers enter the pool.

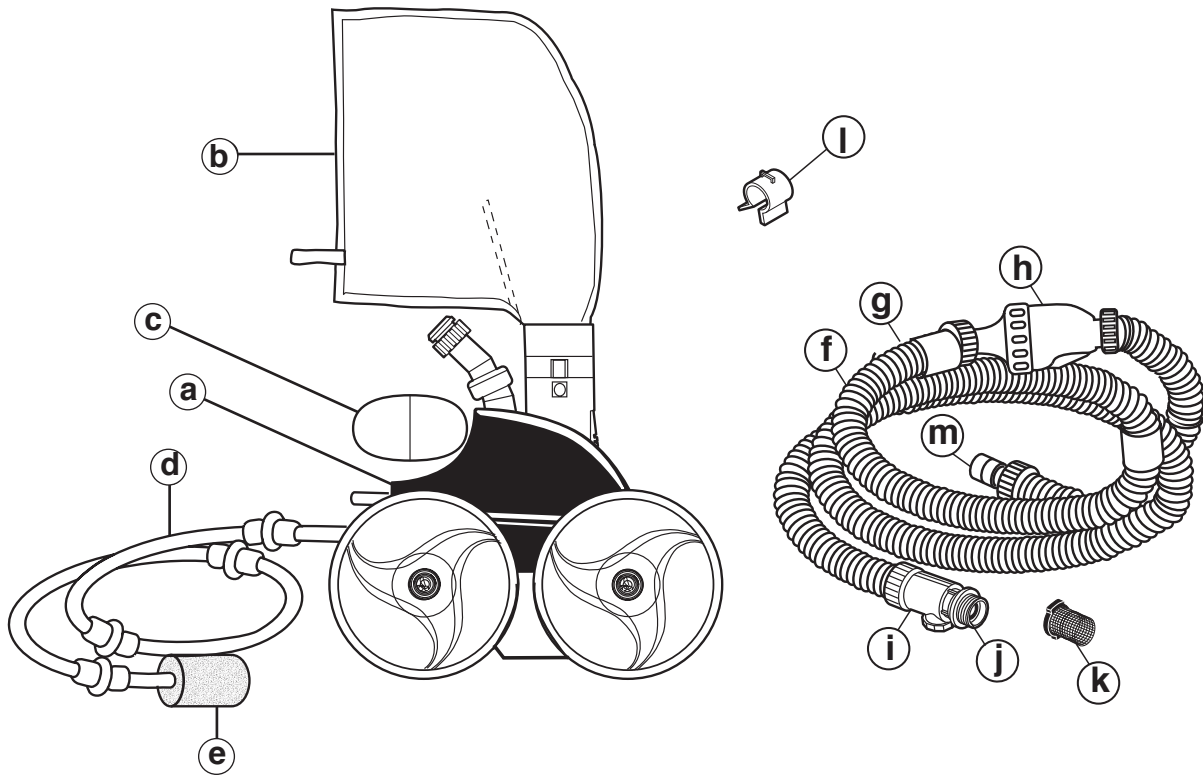
CAUTION

USE OF THE POLARIS CLEANER IN A VINYL LINER POOL

Certain vinyl liner patterns are particularly susceptible to rapid surface wear or pattern removal caused by objects coming into contact with the vinyl surface, including pool brushes, pool toys, floats, fountains, chlorine dispensers, and automatic pool cleaners. Some vinyl liner patterns can be seriously scratched or abraded simply by rubbing the surface with a pool brush. Ink from the pattern can also rub off during the installation process or when it comes into contact with objects in the pool. Zodiac Pool Systems, Inc. is not responsible for, and the Limited Warranty does not cover, pattern removal, abrasion or markings on vinyl liners.



Included in the Box



- | | |
|------------------------|---|
| a. Cleaner Body | h. Back-up Valve |
| b. All-Purpose Bag | i. Quick Disconnect and Pressure Relief Valve |
| c. Head Float | j. Universal Wall Fitting (UWF®) |
| d. Sweep Hose | k. Filter Screen, UWF/QD |
| e. Sweep Hose Scrubber | l. Bag Collar |
| f. Feed Hose | m. Pressure Tester |
| g. Hose Float(s) | |



Tools Needed for Installation

- Scissors or garden shears
- Pliers
- Tape measure
- Piece of tape
- UWF tool (optional part # 10-102-00)

Installing the Cleaner



Read the complete owner's manual before you begin installation.

1

Prepare the Pool

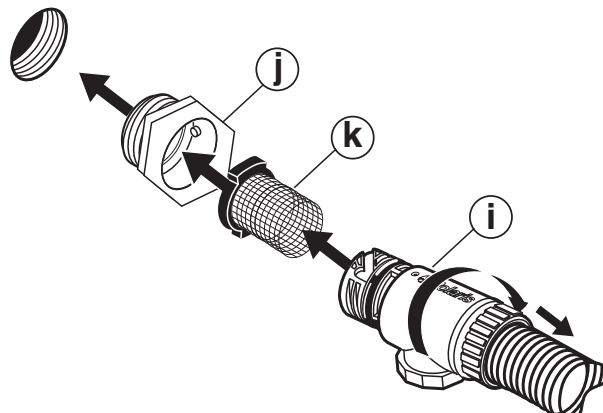
1. Turn on the filtration pump for 2-3 minutes to flush out the plumbing lines.
2. Turn off the filtration pump.
3. Lay hose (f) out on the pool deck in sunlight to relax coils. This will reduce the risk of tangling during cleaning.

2

Install the Universal Wall Fitting

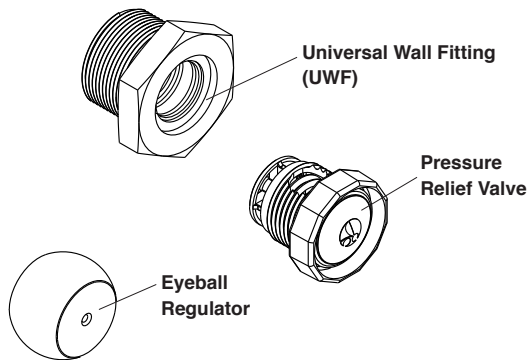
Purpose of installing the UWF®: Once the UWF is properly installed, the Quick Disconnect can be removed each time without removing the UWF.

1. Remove the Universal Wall Fitting (UWF) (j) from the end of the hose (f) and thread (by hand) into the dedicated return line opening in the pool.
2. Make sure the filter screen (k) is firmly seated in the Quick Disconnect (i).
3. Install Quick Disconnect into the UWF by turning clockwise (do not over-tighten), then pull to secure in place.



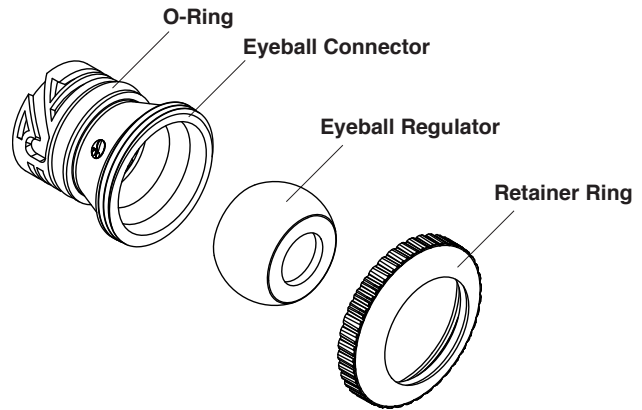
Multiple Return Lines?

If your pool has two or three return lines, use the Eyeball Fitting Connection Kit (**part #9-100-8001**). This kit provides a Universal Wall Fitting (UWF)[®] and pressure relief valve to be installed into the 2nd return line. Also included is an eyeball regulator, which will replace the existing eyeball if a 3rd return line is present.



Polaris[®] Cleaner Removed from Pool?

Use the UWF Eyeball Fitting Kit (**part #6-511-00**) to restore proper water circulation when the cleaner is removed from the pool.

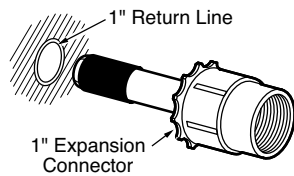


Installing Other Pool Connections

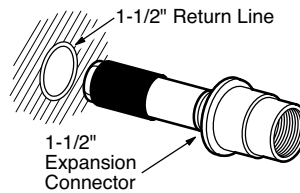
If the pool does not have a dedicated return line, the Polaris 360 cleaner connects to most common return lines using special adapter kits available for purchase at a participating Polaris dealer.

For pools with plastic-pipe return lines (without pipe threads) that are cut off flush with the pool wall:

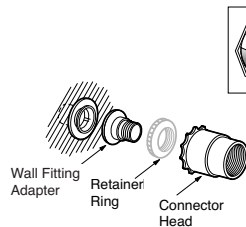
If pipe is 1" in diameter, use 1" Stub Pipe Connection Kit (**part #9-100-8002**)



If pipe is 1-1/2" in diameter, use 1-1/2" Stub Pipe Connection Kit (**part #9-100-8003**)



For directional eyeball fittings that do not have a 1-1/2" threaded socket, request the Eyeball Adapter Connection Kit (**part #9-100-8005**)



Does current fitting look like this?

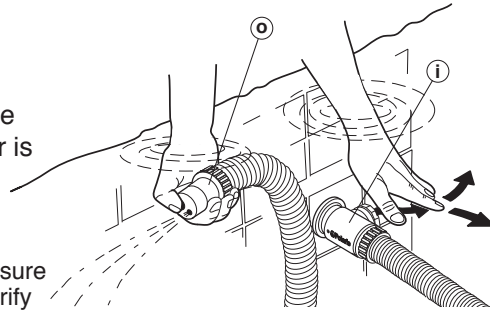
If the UWF and Eyeball Regulators still cannot be installed on the pool, contact your dealer or Customer Service to determine which parts may be necessary.

Pool/Spa Connections Requiring Special Fittings

If a spa is connected to the pool filtration equipment, obtain expansion regulators in addition to one of the kits listed above. Contact your dealer or Customer Service to determine which parts may be necessary.

3 Test Water Pressure

1. Turn on the filtration pump.
2. With the hose connected to the UWF®, hold the pressure tester (o) under water. Cover the large hole with your thumb and confirm water is releasing from the pressure relief valve (i).



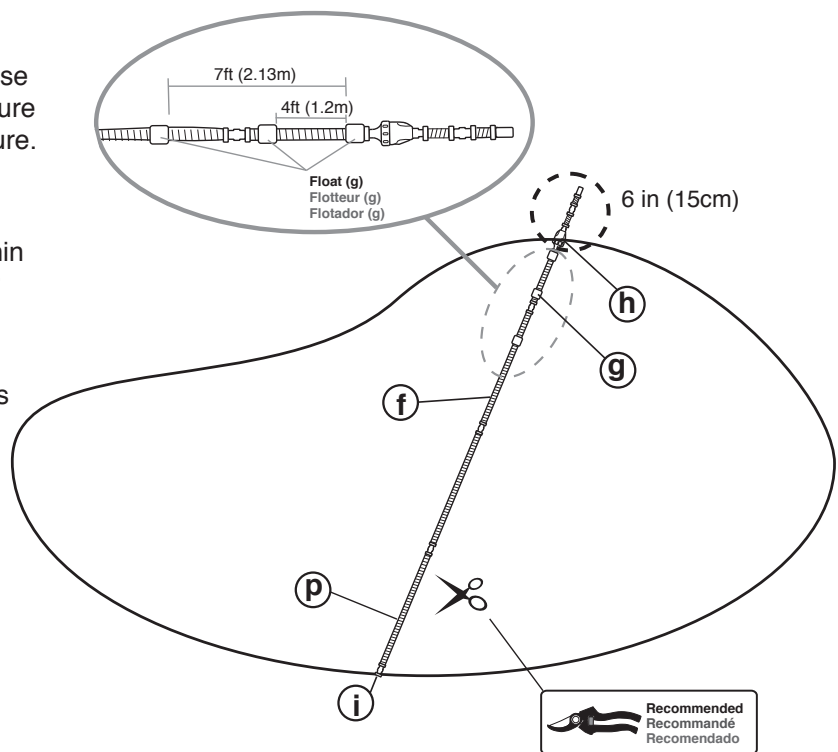
NOTE: There are two holes in the end of the pressure tester. It is important to block the larger hole to verify pressure.

No water flow from pressure relief valve?

- If your Polaris® cleaner is connected to a dedicated cleaner line, adjust the diverter valve to increase the water flow to the cleaner.
- Make sure filter screen (k) is correctly positioned in Quick Disconnect.
- Check skimmer, pump basket, and main filter for debris restricting flow.
- If the Polaris cleaner is connected to one of multiple return lines, verify you have the correct Polaris return line connection kits installed (see page 5 of this manual).

4 Adjust Hose Length

1. Turn the pump on. Hold hose under water until the pressure relief valve releases pressure.
2. Extend the hose to the farthest point of the pool. The hose end must be within 6 inches (15 cm), longer or shorter.
3. Measure the hose with the pressure on and cut excess length from the first hose section (p). (This is the section connected to the Quick Disconnect (i).)
4. Reconnect hose sections.
5. After adjusting the hose length, position the three hose floats as shown.



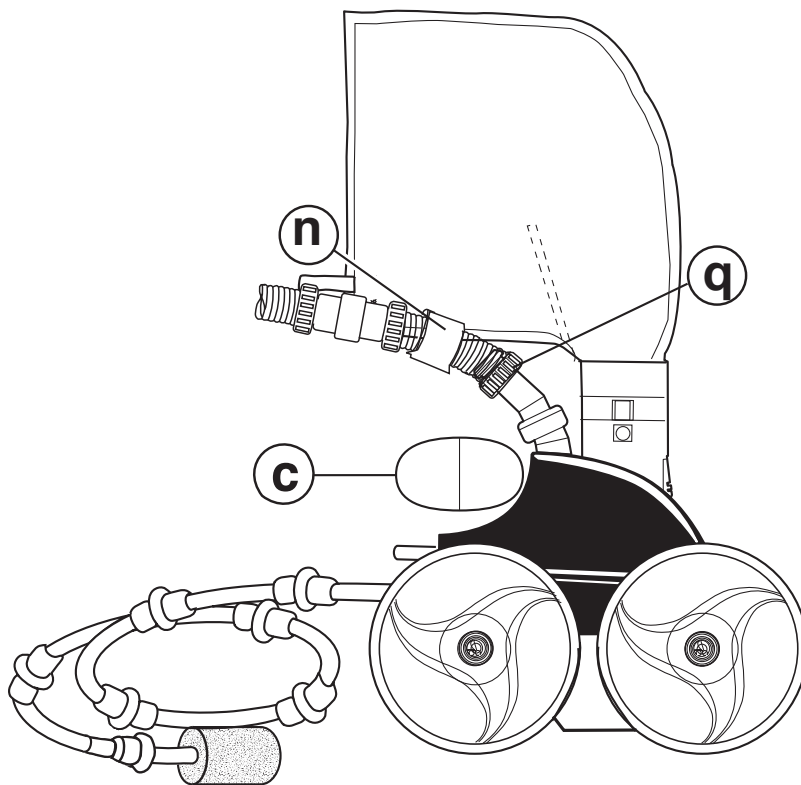
Hose too short?

- Contact your local Polaris dealer. Buy a new hose section. Add to the first hose section (p) and cut until within 6 inches (15 cm).

5

Assemble the Cleaner

1. Remove the pressure tester (o) by unscrewing the hose nut (q).
NOTE: The hose nut has reversed threads.
2. Use the same hose nut (q) and secure the hose to the cleaner body at the feed pipe.
3. Pull the bag up and attach to the hose using the bag clip (n) .
4. Push the head float (c) all the way forward, up against the cleaner body.



Operating the Cleaner



⚠️ WARNING

To avoid risk of potentially serious injury, do not swim or use the pool when the cleaner is submerged or operating.

1

Start the Cleaner

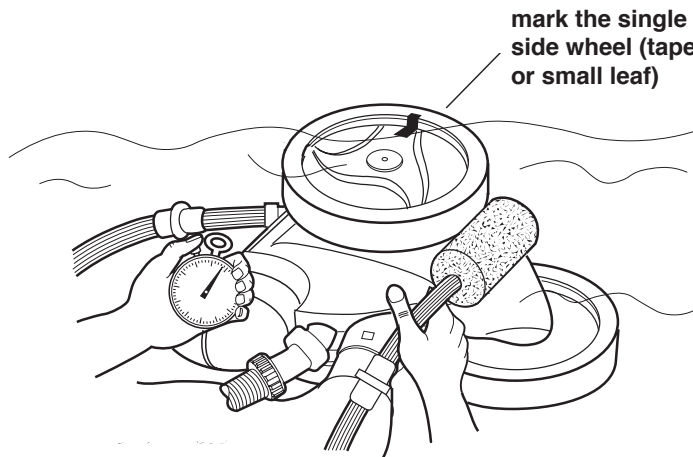
1. Connect hose in the pool at the UWF®.
2. Submerge the cleaner in the pool, allowing it to sink to the bottom.
3. Turn on the filtration pump and allow it to prime. Cleaner will begin to move.

2

Check for Proper Wheel RPM

Before operating the Polaris® cleaner, check for proper wheel revolutions per minute (RPM). For maximum efficiency, the Polaris should operate between 28 and 32 RPM.

1. Mark the single side wheel using using a piece of tape (or a small leaf tucked into the tire).
2. Turn the pump on, hold the cleaner below the water level and count wheel revolutions for one minute.
3. Optimum wheel speed should be **between 28 and 32** RPM.



28 - 32 RPM

1 min

IMPORTANT

Keep cleaner submerged for accurate wheel speed count.

3

Adjust the Wheel Speed

Wheel Speed less than 28 RPM?

- Check the filter screen in the Quick Disconnect for debris.
- Clean the skimmer, filter and pump basket.
- Check the hoses, connections, and swivel for leaks.
- If the cleaner is connected to a dedicated return line, adjust the diverter valve to increase water flow.

Wheel Speed more than 32 RPM?

- If the cleaner is connected to a dedicated cleaner line, adjust the diverter valve to reduce the water flow to the cleaner.
- Unscrew the pressure relief valve until proper RPM is reached.
NOTE: For easier removal, use the Polaris® UWF® removal tool (Contact your local Polaris dealer, **Part # 10-102-00**).

Fine Tuning the Cleaner

When operating correctly, the Polaris® cleaner vacuums, sweeps and scrubs all surfaces randomly throughout the pool. The climbing ability depends on the pool's shape and water pressure or flow. The Polaris cleaner climbs best in pools without sharp angles or curves in the transition from the pool floor to the pool wall. Approximately every 3-1/2 minutes the Polaris cleaner goes into back-up mode. This action pulls the Polaris cleaner away from pool obstacles.

Fine tune your cleaner by adjusting the sweep hose or the thrust jet as necessary, for optimal operation.

1 Adjust the Sweep Hose

The sweep hose should move in a gentle sweeping motion. To increase or decrease sweeping motion:

1. Turn the filtration pump OFF.
2. Turn the adjustment screw on the feed pipe (r) counterclockwise to increase sweep hose motion. Turn the adjustment screw clockwise to decrease motion.



Decrease motion

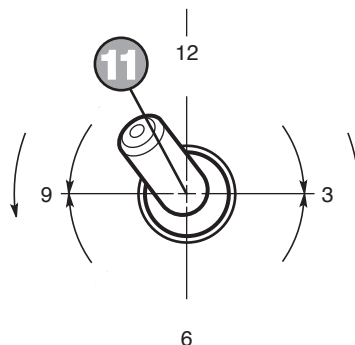


Increase motion

2 Adjust the Thrust Jet

If the cleaner is veering left or right instead of tracking straight, adjust the thrust jet (on the back of the cleaner body) for climbing walls or turning.

NOTE: Factory default setting is eleven o'clock. Only adjust thrust jet to accommodate unique pool shapes.



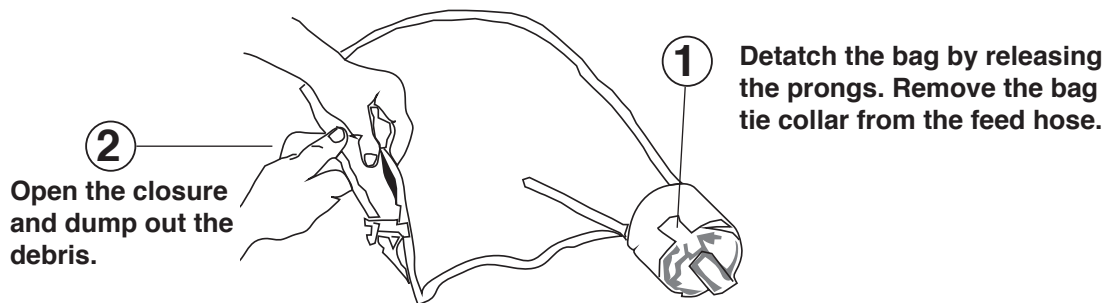
Routine Maintenance

Perform routine maintenance to prolong the life of your cleaner.

1 Empty the Bag

Empty the bag when it is half full, especially if the dirt load is mostly sand.

NOTE: It is easier to empty a dry bag. Remove the bag and let dry before emptying. Alternate between two bags while drying, so the cleaning cycle is not interrupted.



2 Backwash the Pool Filter

Backwash your pool filter periodically. Always disconnect the Polaris® cleaner from the pool wall before cleaning or backwashing the pool filter. After cleaning or backwashing, let the filtration system run for at least five minutes to flush out the return lines before re-connecting the Polaris cleaner.

3 Storage and Winterizing

NOTE: Never store the cleaner in direct sunlight.

To store the cleaner for the winter:

1. Remove cleaner from the pool and drain all water to avoid freezing water damage (freeze damage is not covered under the warranty).
2. Remove the UWF® from the pool wall using the Quick Disconnect. Use a pulling pressure as you unscrew. If necessary, use the UWF Removal Tool (part #10-102-00) available from your local Polaris dealer.

Troubleshooting

Problem	Solution
<p>Hangs up on steps or other obstacles for longer than 3 1/2 minutes.</p>	<ol style="list-style-type: none"> 1. Check the wheel RPM. 2. Verify the back-up valve is cycling. 3. Adjust the thrust jet. 4. Remove unnecessary pool hardware or install a Ladder Guard Kit (Part # G21) from a Polaris® dealer. 5. Check the bag and empty if needed.
<p>Cleaner is sluggish, running with less power than normal.</p>	<ol style="list-style-type: none"> 1. Check the filter screen in the Quick Disconnect and clean, if necessary. 2. Clean the skimmer basket, pump basket, and pool filter. 3. Check hoses, connections, and swivels for leaks that could cause loss of water pressure. 4. Check the wheel RPM (between 28 - 32).
<p>Cleaner flies around the pool and/or does not make contact with the bottom.</p>	<ol style="list-style-type: none"> 1. Check the wheel RPM. <ul style="list-style-type: none"> - If cleaner is connected to a dedicated return line with a diverter valve, adjust the valve to decrease water flow to cleaner. - If more than 32 RPM, unscrew the pressure relief valve to decrease water flow to the cleaner. 2. Verify the back-up valve is cycling. Hold the valve out of the water and watch the jet. It should come on and go off every 3 1/2 minutes.
<p>Cleaner does not back up.</p>	<ol style="list-style-type: none"> 1. Verify the back-up valve is cycling every 3 1/2 minutes. 2. Check the wheel RPM (between 28 - 32). 3. If the bag is full, empty it. 4. If the head float has water in it, replace it. 5. Make sure feed hose is floating.
<p>Cleaner only turns in one direction.</p>	<ol style="list-style-type: none"> 1. Adjust the thrust jet. 2. Verify the feed hose assembly is floating properly. Waterlogged hose floats can cause the feed hose to sink. Older hoses may lose buoyancy, replace if needed. 3. If the end of the hose connecting to the cleaner has a curve, align it with the curve in the feed pipe. 4. Make sure that the swivel on the feed pipe turns freely.

Problem	Solution
Feed hose becomes tangled.	<ol style="list-style-type: none"> 1. Remeasure the hose to verify that it is adjusted to the proper length for the pool shape. 2. With the Polaris cleaner operating, check that the swivels in the hose and the hose connections turn freely. 3. Make sure feed hose is floating. 4. With the Polaris® cleaner turned off, spin each of the wheels. All wheels should turn together.
Sweep hose is sucked into the vacuum tube.	<ol style="list-style-type: none"> 1. Make sure the orifice at the end of the sweep hose is not blocked by the sweep hose scrubber. 2. Adjust the sweep hose to a gentle sweeping motion.
Sweep hose sprays too much water out of the pool.	<ol style="list-style-type: none"> 1. Adjust the speed of the sweep hose by tightening the adjustment screw. 2. Replace the sweep hose scrubber (part # 9-100-3105) if it is worn or missing. 3. Add a Polaris TailSweep PRO® (part # TSP10) accessory to reduce overspray.
The cleaner does not clean the entire pool.	<ol style="list-style-type: none"> 1. Check the hose length reaches within 6" of the farthest point of the pool. If not, order a new hose section from your Polaris dealer. 2. Check thrust jet for 11 o' clock position that optimizes random turning. 3. With the pump running, turn the cleaner head upside down. Verify the three vacuum jets have consistent unobstructed flow. If not, contact Customer Service or a Polaris authorized Service Center for assistance.
The cleaner is running in circles on its side.	<ol style="list-style-type: none"> 1. Check filter bag, if full it can weigh the cleaner down on one side. 2. Remove the head float and shake it. If there is water in the float, order a new one. 3. The feed hose float should float evenly on the surface of the pool.

Problem	Solution
Cleaner does not climb walls.	<ol style="list-style-type: none"> 1. Verify the wheel speed is 28 - 32 RPM. 2. Verify the thrust jet is in the 11 o'clock position. 3. Verify the head float is positioned all the way forward. 4. Verify the hoses have been cut correctly, following the instructions. 5. With the pump running, turn the cleaner head upside down. Verify the three vacuum jets have consistent unobstructed flow. If not, contact customer service or a Polaris® authorized service center for assistance.
Cleaner tires are slipping on tile or fiberglass pool surface.	<ol style="list-style-type: none"> 1. Verify your cleaner has Polaris PosiTrax® tires installed on all three wheels. Polaris PosiTrax tires are only for use on tile and fiberglass pool surfaces. 2. Verify the wheel speed is 28 - 32 RPM.
Wheels rotate less than 28 times per minute	<ol style="list-style-type: none"> 1. Verify the filter screen, pump baskets, and main filter are clean. 2. Verify there are no leaks in the cleaner hoses, swivels, or connectors. 3. If cleaner is installed on a dedicated cleaner line, adjust the diverter valve to increase flow to the cleaner.
Wheels rotate more than 32 times per minute	<ol style="list-style-type: none"> 1. If cleaner is connected to a dedicated cleaner line, adjust the diverter valve to reduce the water flow to the cleaner. 2. Unscrew the pressure relief valve on the UWF® connector assembly until RPM is between 28 and 32.

Questions?

For replacement parts or additional troubleshooting questions, call or go online.



1.800.822.7933



www.polarispool.com

Zodiac Pool Systems, Inc.
2620 Commerce Way, Vista, CA 92081
1.800.822.7933 | www.polarispool.com

*Polaris® and the 3-wheeled cleaner design are registered trademarks of Zodiac Pool Systems, Inc.
All other trademarks referenced herein are the property of their respective owners.*

©2017 Zodiac Pool Systems, Inc. LP50_REVD





Polaris®

360



MANUEL DU PROPRIÉTAIRE

Français

Avant de commencer : Informations importantes

- Avant d'installer l'appareil de nettoyage Polaris® assurez-vous que le filtre de piscine est propre.
- Les nouvelles tuyauteries doivent être purgées avant d'installer l'appareil de nettoyage Polaris.
- L'appareil de nettoyage Polaris ne doit pas être utilisé pour enlever la poussière de plâtre dans les nouvelles piscines.
- Déconnectez toujours l'appareil de nettoyage avant de nettoyer ou de faire un lavage à contre-courant du filtre de piscine.
- Après le nettoyage ou le lavage à contre-courant, laissez le système de filtration fonctionner pendant au moins cinq (5) minutes avant de reconnecter l'appareil de nettoyage.
- Retirez toujours l'appareil de nettoyage de la piscine avant des traitements chocs à base de produits chimiques, tels qu'une super oxydation ou une chloration.
- Les systèmes de chauffage solaire, les générateurs d'ozone et tout autre équipement d'induction d'air peuvent causer une circulation d'air dans l'appareil de nettoyage, nuisant ainsi à l'équilibre et la performance de l'appareil de nettoyage. Aplombez la conduite de l'appareil de nettoyage dédié en amont de ces composants.
- De l'eau excessivement chlorée peut causer des problèmes d'entretien. Évitez de faire fonctionner l'appareil de nettoyage Polaris pendant que vous appliquez le chlore.

Pour le service ou le soutien à la clientèle :

- Veuillez envoyer la carte de garantie par la poste immédiatement :
- Pour le soutien en ligne : www.polarispool.com
- Pour contacter Polaris : **É.-U et Canada**
Service à la clientèle
2620 Commerce Way
Vista, CA 92081-8438
1-800-822-7933



AVERTISSEMENT



Pour éviter tout risque de blessures graves :

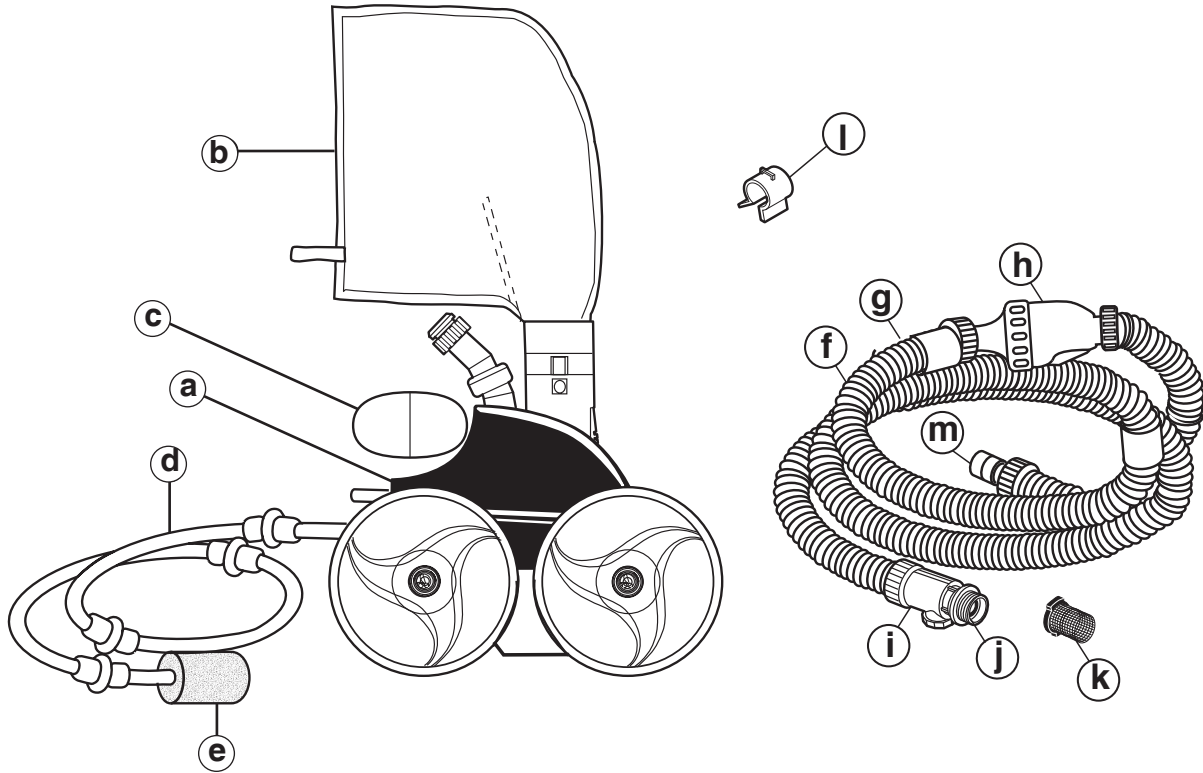
- Ne manipulez pas l'appareil de nettoyage Polaris pendant qu'il fonctionne, sauf lorsque vous vérifiez le nombre de T/M de la roue.
- Retirez toujours l'appareil de nettoyage Polaris avant que les baigneurs n'entrent dans la piscine.

ATTENTION

UTILISATION DE L'APPAREIL DE NETTOYAGE POLARIS DANS UNE PISCINE À REVÊTEMENT EN VINYLE
Certains motifs de revêtement en vinyle sont particulièrement susceptibles à une usure rapide de la surface ou à l'enlèvement du motif causé par des objets qui entrent en contact avec la surface en vinyle, y compris des brosses de piscine, des jouets de piscine, des flotteurs, des fontaines, des distributeurs de chlore et des appareils de nettoyage de piscine automatiques. Certains motifs de revêtement en vinyle peuvent être excessivement éraflés ou érodés par un simple frottement de la surface avec une brosse de piscine. L'encre du motif peut également s'effacer pendant le processus d'installation ou lorsqu'il entre en contact avec des objets se trouvant dans la piscine. Zodiac Pool Systems, Inc. n'est pas responsable de, et la garantie limitée ne couvre pas, l'enlèvement ou l'érosion du motif ou tout marquage sur les revêtements en vinyle.



Contenu de la boîte



- | | |
|------------------------------------|---|
| a. Bâti de l'appareil de nettoyage | h. Clapet de non-retour |
| b. Sac tout usage | i. Soupape à déconnexion rapide et de surpression |
| c. Flotteur directeur | j. Applique murale universelle (UWF®) |
| d. Tuyau de balayage | k. Crépine, UWF/QD |
| e. Racleur de tuyau de balayage | l. Embouchure de sac |
| f. Tuyau d'alimentation | m. Testeur de pression |
| g. Flotteur(s) de tuyau | |



Outils nécessaires pour l'installation

- Ciseaux ou sécateur
- Pincettes
- Ruban à mesurer
- Morceau de ruban adhésif
- Outil UWF (pièce en option n° 10-102-00)

Installation de l'appareil de nettoyage



Lisez le manuel du propriétaire en entier avant de commencer l'installation.

1

Préparer la piscine

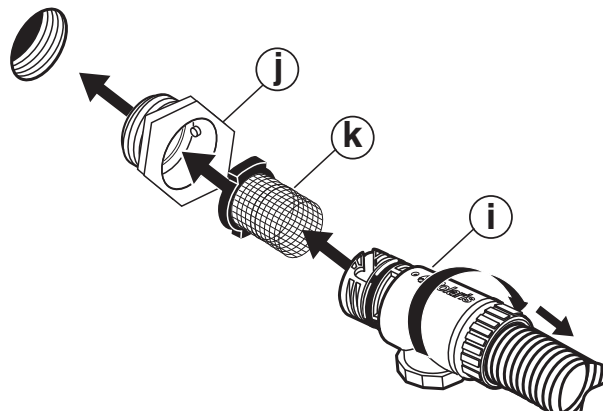
1. Mettez la pompe de filtration en marche pendant 2 à 3 minutes pour purger les conduites.
2. Arrêtez la pompe de filtration.
3. Étendez le tuyau (f) sur le pont de la piscine sous la lumière du soleil pour détendre les bobines. Cela réduira le risque d'enchevêtrement pendant le nettoyage.

2

Installer l'applique murale universelle (UWF)

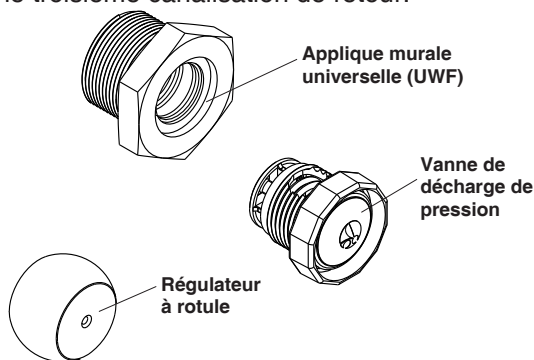
Objectif de l'installation du UWF® : Une fois l'UWF bien installé, la soupape à déconnexion rapide peut être retirée chaque fois sans avoir à retirer le UWF.

1. Retirez l'applique murale universelle (UWF) (j) de l'extrémité du tuyau (f) et faites-la passer (à la main) dans l'ouverture de la canalisation de retour dédiée de la piscine.
2. Assurez-vous que la crépine (k) est bien logée dans la soupape à déconnexion rapide (i).
3. Installez la soupape à déconnexion rapide dans l'UWF, en tournant dans le sens horaire (ne pas trop serrer), puis tirez pour fixer en place.



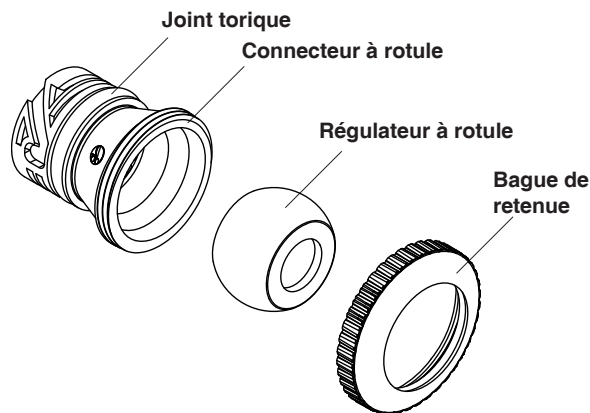
Plusieurs canalisations de retour?

Si votre piscine dispose de deux ou trois canalisations de retour, utilisez la Trousse de raccord à rotule (pièce n° 9-100-8001). Cette trousse fournit une applique murale universelle (UWF®) et une soupape de décharge de pression doit être installée dans la deuxième canalisation de retour. Est inclus aussi un régulateur à rotule, lequel remplacera la rotule existante en présence d'une troisième canalisation de retour.



Appareil de nettoyage Polaris® retiré de la piscine?

Utilisez la Trousse de raccord à rotule UWF (pièce n° 6-511-00) pour restaurer la circulation d'eau appropriée lorsque l'appareil de nettoyage est retiré de la piscine.

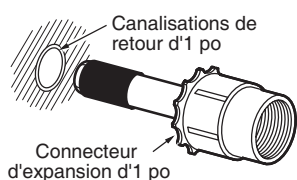


Installer les autres connexions de la piscine

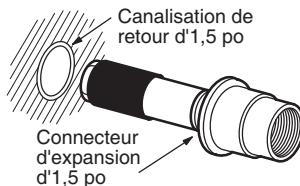
Si la piscine ne dispose pas d'une canalisation de retour dédiée, l'appareil de nettoyage 360 Polaris se connecte à la plupart des canalisations de retour courantes à l'aide d'ensembles d'adaptateurs spéciaux qui se vendent chez les marchands Polaris participants.

Pour les piscines disposant de canalisations de retour à conduit en plastique (sans filetage de conduit) qui sont coupées au ras du mur de la piscine :

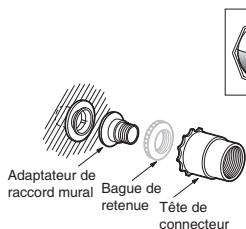
Si le conduit est d'1 po de diamètre, utilisez un ensemble de connexion de tubulure d'1 po (pièce n° 9-100-8002)



Si le conduit est d'1,5 po de diamètre, utilisez un ensemble de connexion de tubulure d'1,5 po (pièce n° 9-100-8003)



Pour les raccords à rotule directionnels qui ne disposent pas de douille fileté de 1,5 po, demandez l'ensemble de connexion d'adaptateur à rotule (pièce n° 9-100-8005)



Est-ce que le raccord actuel ressemble à ceci?

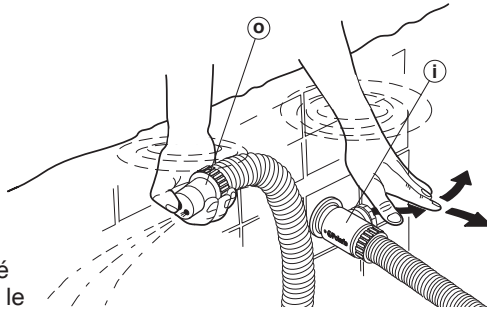
Si l'UWF et les régulateurs à rotule ne peuvent toujours pas être installés sur la piscine, contactez votre marchand ou le service à la clientèle pour déterminer quelles pièces pourraient être nécessaires.

Connexions de piscine/ spa nécessitant des raccords spéciaux

Si un spa est connecté à l'équipement de filtration de la piscine, procurez-vous des régulateurs d'expansion en plus de l'un des ensembles indiqués ci-dessus. Contactez votre marchand ou le service à la clientèle pour déterminer quelles pièces pourraient être nécessaires.

3 Tester la pression d'eau

1. Activez la pompe de filtration.
2. Le tuyau étant connecté au UWF®, gardez le testeur de pression (o) sous l'eau. Couvrez le grand trou avec votre pouce et confirmez que l'eau sort de la soupape de décharge de pression (i).



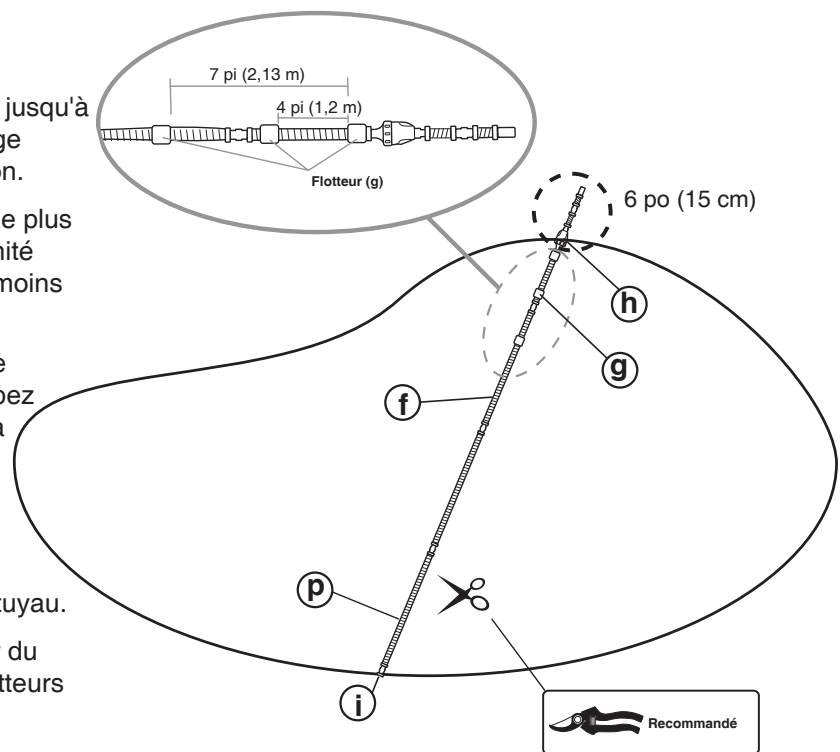
REMARQUE : Deux trous se trouvent à l'extrémité du testeur de pression. Il est important de bloquer le grand trou pour vérifier la pression.

Aucun débit d'eau de la soupape de décharge de pression?

- Si votre appareil de nettoyage Polaris® est connecté à une conduite de nettoyage dédiée, réglez la vanne de répartition (inverseur) pour augmenter le débit d'eau à l'appareil de nettoyage.
- Assurez-vous que la crépine (k) est correctement positionnée dans la soupape à déconnexion rapide.
- Vérifiez l'écumoire, le préfiltre et le filtre principal pour voir s'il y aurait des débris qui bloquent l'écoulement d'eau.
- Si l'appareil de nettoyage Polaris est connecté à l'une des plusieurs canalisations de retour, assurez-vous que les bons ensembles de connexion de canalisation de retour sont installés (consultez la page 5 de ce manuel).

4 Ajuster la longueur du tuyau

1. Mettez la pompe en marche. Maintenez le tuyau sous l'eau jusqu'à ce que la soupape de décharge de pression relâche la pression.
2. Étirez le tuyau jusqu'au point le plus éloigné de la piscine. L'extrémité du tuyau doit être de plus ou moins 6 pouces (15 cm).
3. Mesurez le tuyau pendant que la pression est activée et coupez la longueur excédentaire de la première section du tuyau (p). (Il s'agit de la section connectée à la soupape à déconnexion rapide (i).)
4. Reconnectez les sections du tuyau.
5. Après avoir ajusté la longueur du tuyau, positionnez les trois flotteurs de tuyau comme illustré.



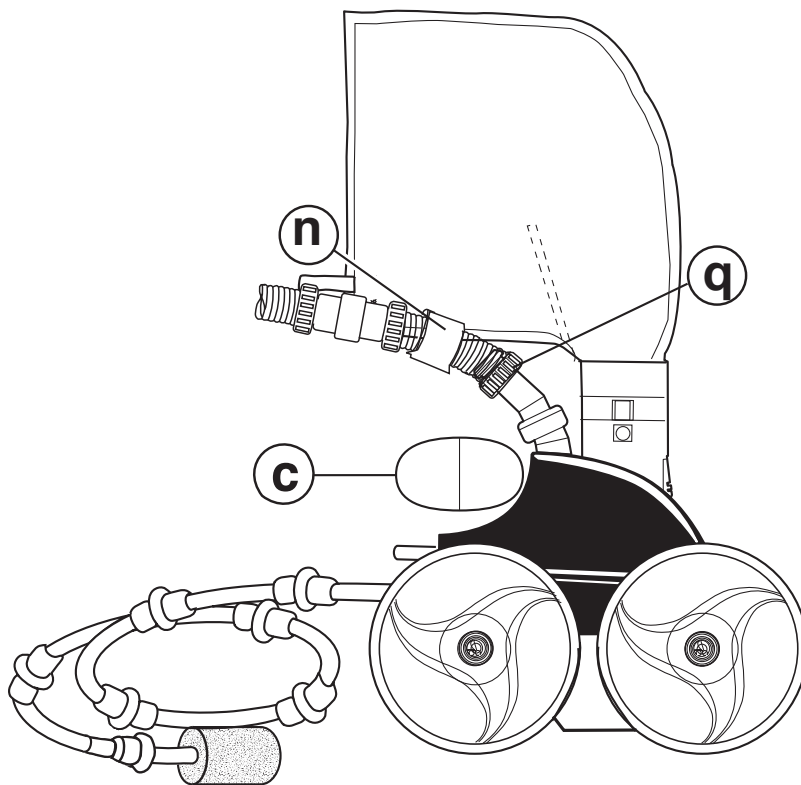
Tuyau trop court?

- Contactez votre marchand Polaris local. Achetez une nouvelle section de tuyau. Ajoutez-la à la première section de tuyau (p) et coupez la longueur jusqu'à l'obtention de 6 po (15 cm).

5

Assembler l'appareil de nettoyage

1. Retirez le testeur de pression (o) en dévissant l'écrou du tuyau (q).
REMARQUE : L'écrou du tuyau possède des filetages inversés.
2. Utilisez le même écrou de tuyau (q) et fixez le tuyau au bâti de l'appareil de nettoyage au niveau du conduit d'alimentation.
3. Tirez le sac vers le haut et attachez-le au tuyau à l'aide de l'attache de sac (n).
4. Poussez le flotteur directeur (c) jusqu'au bout, jusqu'à ce qu'il s'appuie contre le bâti de l'appareil de nettoyage.



Faire fonctionner l'appareil de nettoyage



AVERTISSEMENT

Pour éviter tout risque de blessures graves potentielles, ne nagez pas ou n'utilisez pas la piscine lorsque l'appareil de nettoyage est immergé ou fonctionnel.

1

Démarrer l'appareil de nettoyage

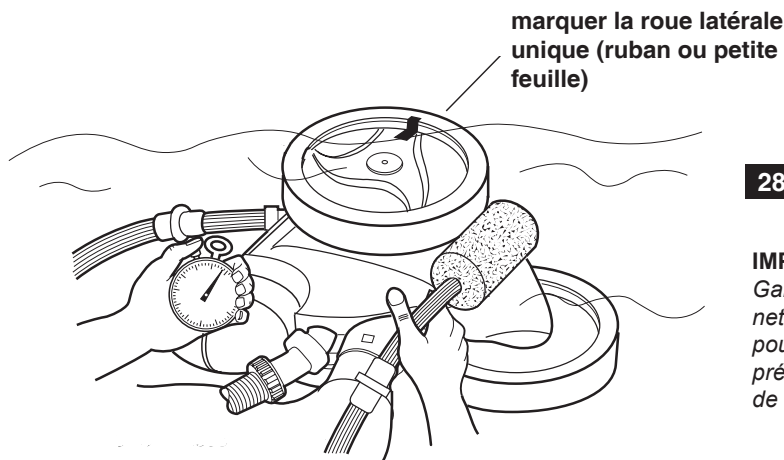
1. Connectez le tuyau dans la piscine au UWF®.
2. Plongez l'appareil de nettoyage dans la piscine, lui permettant de descendre jusqu'au fond.
3. Mettez la pompe de filtration en marche et laissez-la s'amorcer. L'appareil de nettoyage commencera à se déplacer.

2

S'assurer du bon tour par minute de la roue

Avant de faire fonctionner l'appareil de nettoyage Polaris® assurez-vous que les tours par minute (T/M) de la roue sont adéquats. Pour une efficacité optimale, le Polaris doit fonctionner entre 28 et 32 T/M.

1. Marquez la roue latérale unique à l'aide d'un morceau de ruban adhésif (ou une petite feuille glissée dans le pneu).
2. Mettez la pompe en marche, maintenez l'appareil de nettoyage sous le niveau de l'eau et comptez les tours de la roue pendant une minute.
3. La vitesse optimale de la roue doit être **entre 28 et 32 T/M**.



28 à 32 T/M

1 min

IMPORTANT

Gardez l'appareil de nettoyage immergé pour une évaluation précise de la vitesse de la roue.

3

Régler la vitesse de la roue

La vitesse de la roue est inférieure à 28 T/M?

- Vérifiez la crépine dans la soupape à déconnexion rapide pour voir si elle contient des débris.
- Nettoyez l'écumoire, le filtre et le préfiltre.
- Vérifiez les tuyaux, les connexions et l'émerillon aux fins de détection de fuite.
- Si l'appareil de nettoyage est connecté à une canalisation de retour dédiée, réglez la vanne de répartition (inverseur) pour augmenter le débit d'eau.

La vitesse de la roue est supérieure à 32 T/M?

- Si l'appareil de nettoyage est connecté à une conduite de nettoyage dédiée, réglez la vanne de répartition (inverseur) pour diminuer le débit d'eau à l'appareil de nettoyage.
- Dévissez la soupape de décharge de pression jusqu'à l'obtention du T/M approprié.
REMARQUE : Pour un retrait plus facile, utilisez l'outil d'extraction du UWF® Polaris® (contactez votre marchand local Polaris, **Pièce n° 10-102-00**).

Réglage de précision de l'appareil de nettoyage

Lorsqu'il fonctionne correctement, l'appareil de nettoyage Polaris® aspire, balaie et brosse toutes les surfaces de façon aléatoire d'un bout à l'autre de la piscine. Sa capacité à grimper dépend de la forme de la piscine et de la pression ou du débit d'eau. L'appareil de nettoyage Polaris grimpe mieux dans les piscines sans angles acérés ou courbes en transition à partir du fond de la piscine et jusqu'au mur de la piscine. L'appareil de nettoyage Polaris retourne en mode de secours toutes les 3,5 minutes environ. Cette action éloigne l'appareil de nettoyage des obstacles de la piscine.

Réglez votre appareil de nettoyage avec précision en réglant le tuyau de balayage ou le jet de poussée, aux fins de fonctionnement optimal.

1

Régler le tuyau de balayage

Le tuyau de balayage devrait se déplacer par un léger mouvement de balayage. Pour augmenter ou diminuer le mouvement de balayage :

1. ARRÊTEZ la pompe de filtration.
2. Tournez la vis de réglage sur le conduit d'alimentation (r) dans le sens antihoraire afin d'augmenter le mouvement du tuyau de balayage. Tournez la vis de réglage dans le sens horaire pour diminuer le mouvement.



Diminuer le mouvement



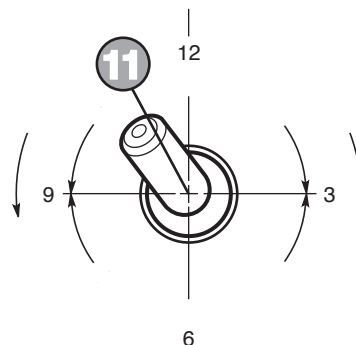
Augmenter le mouvement

2

Régler le jet de poussée

Si l'appareil de nettoyage vire vers la gauche ou la droite au lieu de rester tout droit, réglez le jet de poussée (à l'arrière du bâti de l'appareil de nettoyage) pour grimper sur les murs ou pour tourner.

REMARQUE : Le paramètre par défaut réglé à l'usine est onze heures. Réglez le jet de poussée seulement pour accommoder des formes de piscines uniques.



Entretien courant

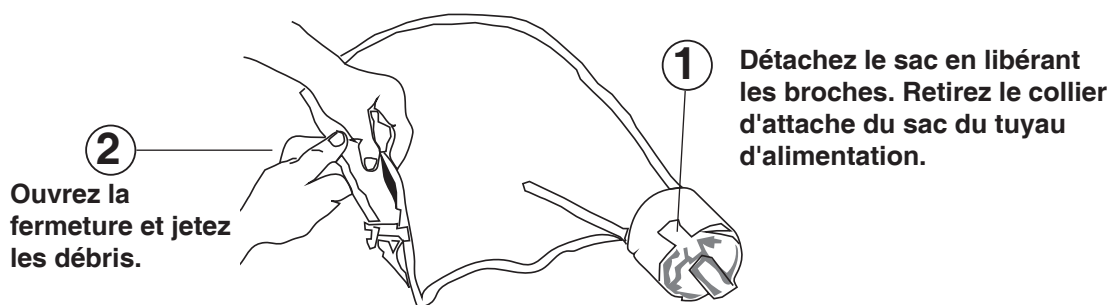
Effectuez un entretien courant pour prolonger la durée de vie de votre appareil de nettoyage.

1

Vidage du sac

Videz le sac lorsqu'il est à moitié plein, notamment si les saletés contiennent principalement du sable.

REMARQUE : Il est plus facile de vider un sac sec. Retirez le sac et laissez-le sécher avant de le vider. Alternez entre deux sacs pendant le séchage afin que le cycle de nettoyage ne soit pas interrompu.



2

Lavage à contre-courant du filtre de piscine

Lavez à contre-courant votre filtre de piscine de façon périodique. Déconnectez toujours l'appareil de nettoyage Polaris® du mur de la piscine avant de nettoyer ou de faire un lavage à contre-courant du filtre de piscine. Après le nettoyage ou le lavage à contre-courant, laissez le système de filtration fonctionner pendant au moins cinq (5) minutes pour purger les canalisations de retour avant de reconnecter l'appareil de nettoyage Polaris.

3

Entreposage et hivernage

REMARQUE : N'entrez jamais l'appareil de nettoyage sous la lumière directe du soleil.

Pour entreposer l'appareil de nettoyage pendant l'hiver :

1. Retirez l'appareil de nettoyage de la piscine et videz toute l'eau afin d'éviter tout dommage causé par l'eau gelée (les dommages dus au gel ne sont pas couverts par la garantie).
2. Retirez l'UWF® du mur de la piscine en utilisant la soupape à déconnexion rapide. Appliquez une pression de traction pendant que vous dévissez. S'il y a lieu, utilisez l'outil d'extraction UWF (pièce n° 10-102-00) disponible chez votre marchand Polaris local.

Dépannage

Problème	Solution
S'accroche sur les marches ou autres obstacles pendant plus de 3,5 minutes.	<ol style="list-style-type: none"> 1. Vérifiez le T/M de la roue. 2. Vérifiez si le clapet de non-retour est en fonction. 3. Réglez le jet de poussée. 4. Retirez le matériel de piscine inutile ou installez un ensemble de garde-échelle (pièce n° G21) que vous trouverez chez les marchands Polaris®. 5. Vérifiez le sac et videz-le si nécessaire.
L'appareil de nettoyage est lent et fonctionne avec moins de puissance que d'habitude.	<ol style="list-style-type: none"> 1. Vérifiez la crépine dans la soupape à déconnexion rapide et nettoyez-la s'il y a lieu. 2. Nettoyez l'écumoire, le préfiltre et le filtre de piscine. 3. Vérifiez les tuyaux, les connexions et les émerillons pour détecter toute fuite pouvant causer une perte de la pression d'eau. 4. Vérifiez le T/M de la roue (entre 28 et 32).
L'appareil de nettoyage parcourt la piscine d'un bout à l'autre et/ou ne descend pas au fond.	<ol style="list-style-type: none"> 1. Vérifiez le T/M de la roue. <ul style="list-style-type: none"> - Si l'appareil de nettoyage est connecté à une canalisation de retour dédiée avec une vanne de répartition, réglez la vanne pour réduire le débit d'eau à l'appareil de nettoyage. - Si le T/M est supérieur à 32, dévissez la soupape de décharge de pression pour réduire le débit d'eau à l'appareil de nettoyage. 2. Vérifiez si le clapet de non-retour est en fonction. Gardez la vanne en dehors de l'eau et observez le jet. Il doit s'activer et se désactiver à toutes les 3,5 minutes.
L'appareil de nettoyage ne recule pas.	<ol style="list-style-type: none"> 1. Vérifiez si le clapet de non-retour effectue un cycle à toutes les 3,5 minutes. 2. Vérifiez le T/M de la roue (entre 28 et 32). 3. Si le sac est plein, videz-le. 4. Si le flotteur directeur contient de l'eau, remplacez-le. 5. Assurez-vous que le tuyau d'alimentation flotte.
L'appareil de nettoyage tourne dans une seule direction.	<ol style="list-style-type: none"> 1. Réglez le jet de poussée. 2. Vérifiez si l'ensemble du tuyau d'alimentation flotte adéquatement. Des flotteurs de tuyau saturés d'eau peuvent faire couler le tuyau d'alimentation. Des tuyaux plus vieux peuvent perdre leur flottabilité; remplacez-les si nécessaire. 3. Si l'extrémité du tuyau se connectant à l'appareil de nettoyage présente une courbe, alignez-la avec la courbe du conduit d'alimentation. 4. Assurez-vous que l'émerillon sur le conduit d'alimentation tourne librement.

Problème	Solution
<p>Le tuyau d'alimentation s'emmêle.</p>	<ol style="list-style-type: none"> 1. Mesurez de nouveau le tuyau pour vous assurer qu'il est ajusté à la longueur qui convient à la forme de la piscine. 2. Pendant que l'appareil de nettoyage Polaris est en fonction, vérifiez si les émerillons dans le tuyau et les connexions du tuyau tournent librement. 3. Assurez-vous que le tuyau d'alimentation flotte. 4. Pendant que l'appareil de nettoyage Polaris® est hors fonction, faites tourner chacune des roues. Toutes les roues doivent tourner ensemble.
<p>Le tuyau de balayage est aspiré dans le tube d'aspirateur.</p>	<ol style="list-style-type: none"> 1. Assurez-vous que l'orifice à l'extrémité du tuyau de balayage n'est pas bloqué par le racleur du tuyau de balayage. 2. Réglez le tuyau de balayage à un léger mouvement de balayage.
<p>Le tuyau de balayage pulvérise une grosse quantité d'eau à l'extérieur de la piscine.</p>	<ol style="list-style-type: none"> 1. Réglez la vitesse du tuyau de balayage en serrant la vis de réglage. 2. Remplacez le racleur du tuyau de balayage (pièce n° 9-100-3105) s'il est usé ou manquant. 3. Ajoutez un accessoire TailSweep PRO® de Polaris (pièce n° TSP10) pour réduire la surpulvérisation.
<p>L'appareil de nettoyage ne nettoie pas toute la piscine.</p>	<ol style="list-style-type: none"> 1. Vérifiez si la longueur du tuyau atteint 6 po du point le plus éloigné de la piscine. Si ce n'est pas le cas, commandez une nouvelle section de tuyau auprès de votre marchand Polaris. 2. Vérifiez si le jet de poussée est à la position de 11 h, laquelle optimise les tours aléatoires. 3. Pendant que la pompe fonctionne, renversez la tête de l'appareil de nettoyage. Vérifiez si les trois jets d'aspiration ont un débit non obstrué constant. Dans le cas contraire, contactez le service à la clientèle ou un centre de service autorisé Polaris pour obtenir de l'aide.
<p>L'appareil de nettoyage fonctionne en cercles sur son côté.</p>	<ol style="list-style-type: none"> 1. Vérifiez le sac du filtre; s'il est plein, son poids peut faire pencher l'appareil de nettoyage sur un côté. 2. Retirez le flotteur directeur et remuez-le. Si le flotteur contient de l'eau, commandez-en un nouveau. 3. Le flotteur du tuyau d'alimentation doit flotter de façon égale sur la surface de la piscine.

Problème	Solution
<p>L'appareil de nettoyage ne grimpe pas sur les murs.</p>	<ol style="list-style-type: none"> 1. Vérifiez si la vitesse de la roue est de 28 à 32 T/M. 2. Vérifiez si le jet de poussée est à la position de 11 h. 3. Vérifiez si le flotteur directeur est positionné à l'extrême avant. 4. Vérifiez si les tuyaux ont été coupés correctement et selon les consignes. 5. Pendant que la pompe fonctionne, renversez la tête de l'appareil de nettoyage. Vérifiez si les trois jets d'aspiration ont un débit non obstrué constant. Dans le cas contraire, contactez le service à la clientèle ou un centre de service autorisé Polaris® pour obtenir de l'aide.
<p>Les pneus de l'appareil de nettoyage glissent sur la surface de la piscine en fibre de verre ou carreaux.</p>	<ol style="list-style-type: none"> 1. Assurez-vous que votre appareil de nettoyage dispose des pneus PosiTrax® de Polaris qui sont installés sur les trois roues. Les pneus PosiTrax de Polaris sont destinés seulement à un usage sur des surfaces de piscine en fibre de verre ou carreaux. 2. Vérifiez si la vitesse de la roue est de 28 à 32 T/M.
<p>Les roues tournent moins de 28 fois par minute</p>	<ol style="list-style-type: none"> 1. Vérifiez si la crépine, les préfiltres et le filtre principal sont propres. 2. Vérifiez s'il y a des fuites dans les tuyaux, les émerillons ou les connecteurs de l'appareil de nettoyage. 3. Si l'appareil de nettoyage est installé sur une conduite de nettoyage dédiée, réglez la vanne de répartition (inverseur) pour augmenter le débit d'eau à l'appareil de nettoyage.
<p>Les roues tournent plus de 32 fois par minute</p>	<ol style="list-style-type: none"> 1. Si l'appareil de nettoyage est connecté à une conduite de nettoyage dédiée, réglez la vanne de répartition (inverseur) pour diminuer le débit d'eau à l'appareil de nettoyage. 2. Dévissez la soupape de décharge de pression sur l'ensemble du connecteur UWF® jusqu'à ce que le T/M soit entre 28 et 32.

Vous avez des questions?

Pour les pièces de rechange ou des questions supplémentaires liées au dépannage, appelez-nous ou visitez notre site Internet.



1.800.822.7933



www.polarispool.com

Zodiac Pool Systems, Inc.
2620 Commerce Way, Vista, CA 92081
1.800.822.7933 | www.polarispool.com

*Polaris® et le modèle d'appareil de nettoyage à 3 roues sont des marques de commerce déposées de Zodiac Pool Systems Inc.
Toutes les autres marques de commerce dont il est fait mention sont la propriété de leurs propriétaires respectifs.*

©2017 Zodiac Pool Systems, Inc. LP50_REVD





Polaris®

360



MANUAL DEL PROPIETARIO

Español

Antes de comenzar: Información importante

- Antes de instalar el limpiador Polaris®, asegúrese de que el filtro de la piscina esté limpio.
- Deben purgarse las nuevas cañerías antes de instalar el limpiador Polaris.
- El limpiador Polaris no debe usarse para eliminar el polvo de yeso de las piscinas nuevas.
- Siempre debe desconectarse el limpiador antes de limpiar o retrolavar el filtro de la piscina.
- Después de limpiar o retrolavar, deje en funcionamiento el sistema de filtrado durante al menos cinco (5) minutos antes de volver a conectar el limpiador.
- Siempre debe quitarse el limpiador de la piscina antes de realizar tratamientos de choque con sustancias químicas, como superoxidación o cloración.
- Los sistemas térmicos solares, los generadores de ozono y otros equipos de inducción de aire pueden provocar flujo de aire a través del limpiador y afectar adversamente su equilibrio y su rendimiento. Instale la línea exclusiva del limpiador aguas arriba de estos componentes.
- El agua con alto contenido de cloro puede provocar problemas de mantenimiento. Evite poner en marcha el limpiador Polaris durante una cloración.

Para obtener asistencia o ponerse en contacto con el servicio al cliente:

- Envíe inmediatamente por correspondencia la tarjeta de garantía.
- Para acceder a la asistencia en línea: www.polarispool.com
- Para comunicarse con Polaris: **Estados Unidos y Canadá**
Servicio al cliente
2620 Commerce Way
Vista, CA 92081-8438
1-800-822-7933

ADVERTENCIA



Para evitar riesgos de lesiones potencialmente graves:

- No manipule el limpiador Polaris cuando está en funcionamiento, excepto para comprobar las RPM de la rueda.
- Siempre quite el limpiador Polaris antes de que entren personas a la piscina.

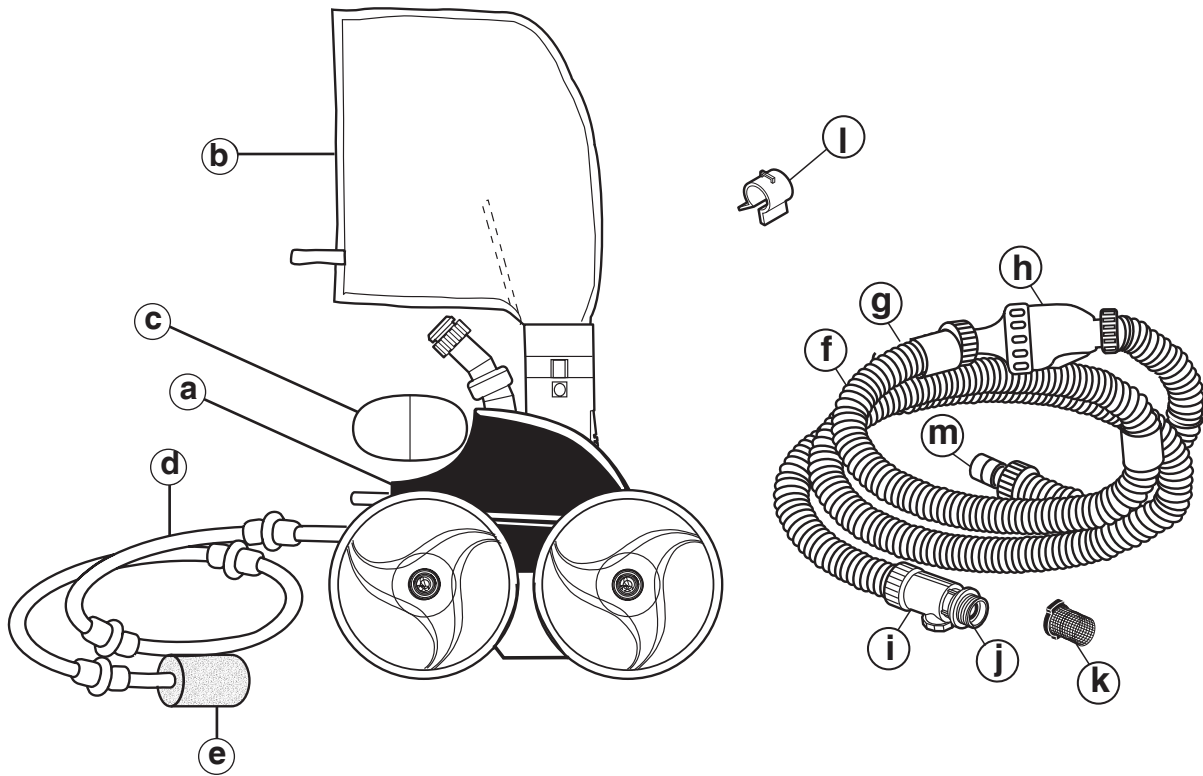
PRECAUCIÓN

USO DEL LIMPIADOR POLARIS EN UNA PISCINA CON REVESTIMIENTO DE VINILO

Ciertos patrones de revestimiento de vinilo son particularmente susceptibles al desgaste superficial rápido o a la rotura del patrón provocada por objetos que entran en contacto con la superficie del vinilo, como cepillos para piscina, juguetes para piscina, flotadores, fuentes, dosificadores de cloro y limpiadores automáticos de piscinas. Algunos patrones de revestimiento de vinilo pueden rayarse o desgastarse severamente por acción del simple contacto de la superficie con un cepillo para piscina. La tinta del patrón también puede desprenderse durante el proceso de instalación, o cuando entra en contacto con objetos en la piscina. Zodiac Pool Systems, Inc. no es responsable por roturas, abrasiones o marcas del patrón en revestimientos de vinilo; y la Garantía Limitada no las cubre.



Contenido de la caja



- | | |
|--|--|
| a. Cuerpo del limpiador | h. Válvula de retroceso |
| b. Bolsa multiuso | i. Desconexión rápida y válvula de alivio de presión |
| c. Cabezal del flotador | j. Universal Wall Fitting (UWF®) |
| d. Manguera de enjuague | k. Pantalla de filtro, UWF/QD |
| e. Fregador de la manguera de enjuague | l. Collar de la bolsa |
| f. Manguera de alimentación | m. Comprobador de presión |
| g. Flotador(es) de la manguera | |



Herramientas necesarias para la instalación

- Tijeras o cizallas de jardín
- Pinzas
- Cinta métrica
- Pedazo de cinta
- Herramienta UWF (opcional, nro. de pieza 10-102-00)

Instalación del limpiador



Lea completamente el manual del propietario antes de comenzar la instalación.

1

Preparación de la piscina

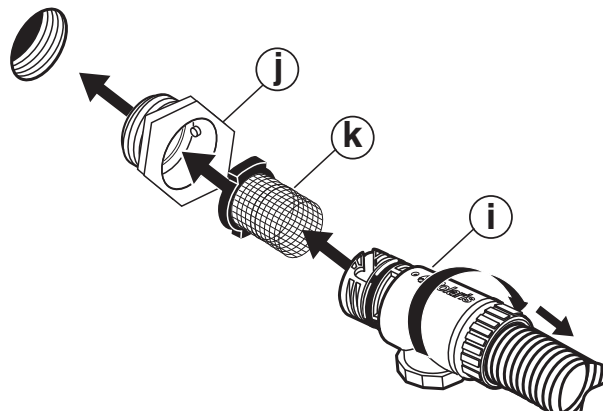
1. Encienda la bomba de filtrado durante 2 o 3 minutos para purgar las cañerías.
2. Apague la bomba de filtrado.
3. Exponga a la luz solar la manguera (f) alrededor de la piscina para relajar las bobinas. Esto reducirá el riesgo de enredos durante la limpieza.

2

Instalación del Universal Wall Fitting

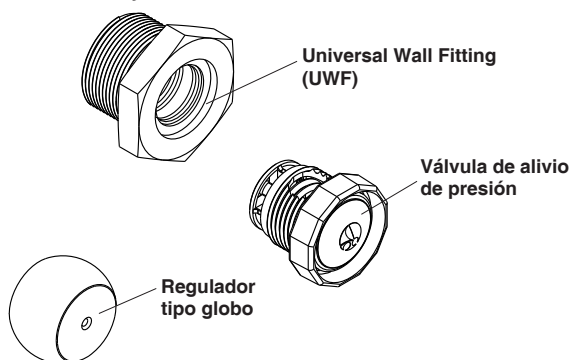
Objetivo de la instalación del UWF®: Después de instalar correctamente el accesorio UWF, en lo sucesivo la pieza de desconexión rápida puede retirarse sin quitar el accesorio UWF.

1. Quite el accesorio Universal Wall Fitting (UWF) (j) del extremo de la manguera (f) y enrósquelo (a mano) en la apertura de la línea de retorno exclusiva de la piscina.
2. Asegúrese de que la pantalla del filtro (k) esté asentada firmemente en la pieza de desconexión rápida (i).
3. Para instalar la desconexión rápida en UWF, gírela en sentido horario (sin ajustarla demasiado) y luego tire de ella para asegurarla en su lugar.



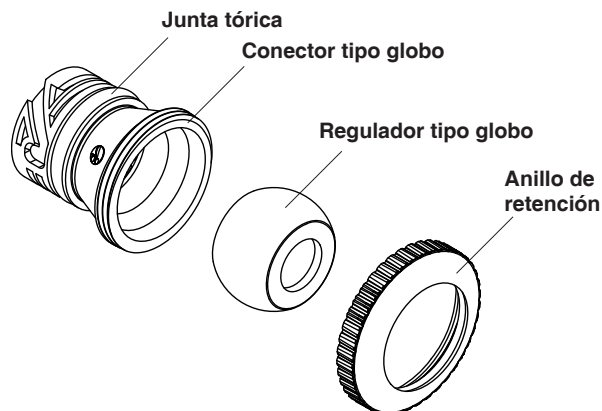
¿Tiene varias líneas de retorno?

Si su piscina tiene dos o tres líneas de retorno, utilice el kit de conexión del adaptador tipo globo (nro. de pieza 9-100-8001). Este kit incluye un accesorio Universal Wall Fitting (UWF®) y una válvula de alivio de presión para instalar en la segunda línea de retorno. También se incluye un regulador tipo globo, que reemplazará al globo existente si hay una tercera línea de retorno.



¿El limpiador Polaris® se retiró de la piscina?

Utilice el accesorio tipo globo (nro. de pieza 6-511-00) para restaurar la circulación adecuada de agua al quitar el limpiador de la piscina.

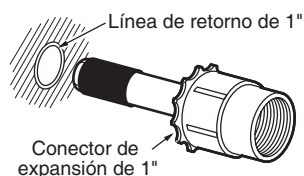


Instalación de otras conexiones en la piscina

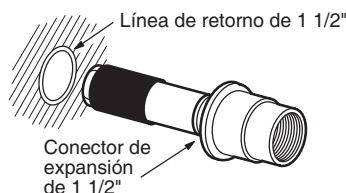
Si la piscina no tiene una línea de retorno exclusiva, el limpiador Polaris 360 se conecta con las líneas de retorno más comunes mediante kits de adaptadores especiales, que puede comprar en un distribuidor de Polaris participante.

Para piscinas con líneas de retorno de tubos plásticos (sin tuberías a rosca) que están cortadas al ras con la pared de la piscina:

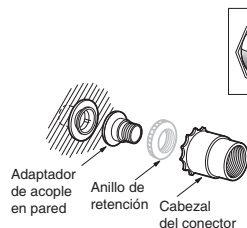
Si la tubería es de 1" de diámetro, use un kit de conexión de tubuladura de 1" (nro. de pieza 9-100-8002)



Si la tubería es de 1 1/2" de diámetro, use un kit de conexión de tubuladura de 1 1/2" (nro. de pieza 9-100-8003)



Para accesorios tipo globo direccionales que no tienen una toma roscada de 1-1/2", solicite el kit de conexión del adaptador tipo globo (nro. de pieza 9-100-8005)



¿El acople actual tiene este aspecto?

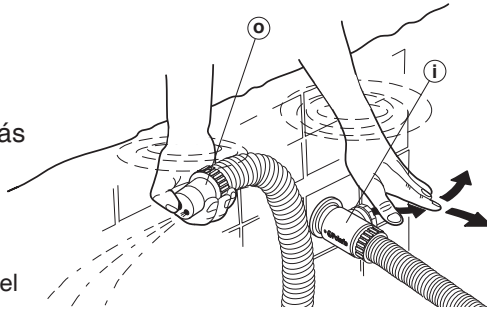
Si sigue estas indicaciones pero no puede instalar el accesorio UWF y los reguladores tipo globo en la piscina, comuníquese con su distribuidor o llame a servicio al cliente para determinar cuáles son las piezas que puede necesitar.

Conexiones de piscina/spa que requieren accesorios especiales

Si hay un spa conectado al equipo de filtrado de la piscina, debe conseguir reguladores de expansión además de uno de los kits mencionados. Comuníquese con su distribuidor o con servicio al cliente para determinar qué piezas pueden ser necesarias.

3 Prueba de presión de agua

1. Encienda la bomba de filtrado.
2. Con la manguera conectada al accesorio UWF®, mantenga el comprobador de presión (o) sumergido en el agua. Cubra el orificio más grande con el dedo pulgar y confirme si sale agua por la válvula de alivio de presión (i).



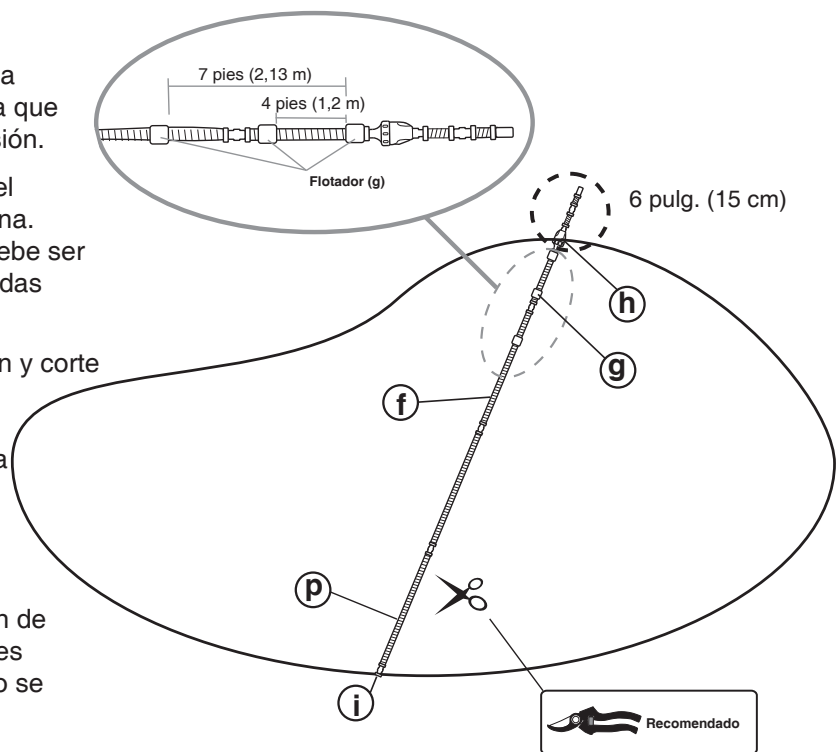
NOTA: Hay dos orificios en el extremo del comprobador de presión. Es importante bloquear el más grande para verificar la presión.

¿No hay flujo de agua desde la válvula de alivio de presión?

- Si el limpiador Polaris® está conectado a una línea de limpiador exclusiva, ajuste la válvula de desvío para aumentar el flujo de agua hacia el limpiador.
- Asegúrese de que la pantalla del filtro (k) esté posicionada correctamente en la desconexión rápida.
- Compruebe que no haya desechos que restrinjan el flujo en el skimmer, la canasta de la bomba y el filtro principal.
- Si el limpiador Polaris está conectado a una de las líneas de retorno (en caso que haya varias), compruebe que estén instalados los kits de conexión de línea de retorno correspondientes (consulte la página 5 de este manual).

4 Ajuste de la longitud de la manguera

1. Encienda la bomba. Mantenga sumergida la manguera hasta que la válvula de alivio libere presión.
2. Extienda la manguera hasta el punto más alejado de la piscina. El extremo de la manguera debe ser de aproximadamente 6 pulgadas (15 cm).
3. Mida la manguera con presión y corte el sobrante de la primera sección de la manguera (p). (Esta es la sección conectada a la desconexión rápida [i]).
4. Vuelva a conectar las secciones de la manguera.
5. Después de ajustar la sección de la manguera, posicione los tres flotadores de manguera como se muestra.



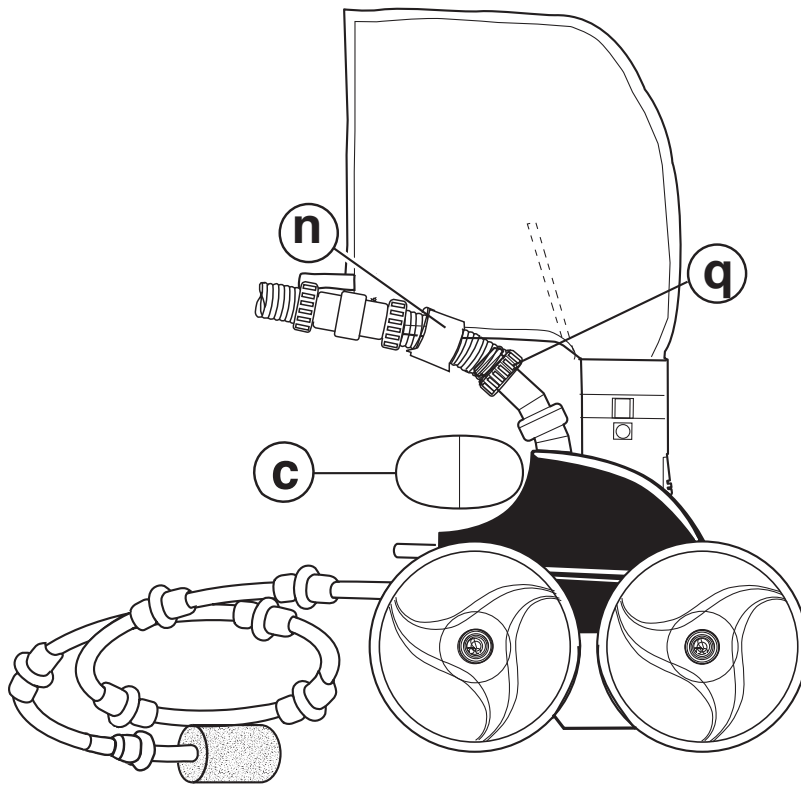
¿La manguera es demasiado corta?

- Comuníquese con un distribuidor local de Polaris. Compre una nueva sección de manguera. Añádalo a la primera sección de la manguera (p) y córtelo hasta un tamaño de 6 pulgadas (15 cm).

5

Montaje del limpiador

1. Para retirar el comprobador de presión (o), desatornille la tuerca de la manguera (q).
NOTA: La tuerca de la manguera tiene roscas invertidas.
2. Utilice la misma tuerca de la manguera (q) y asegure la manguera en el cuerpo del limpiador, en la tubería de alimentación.
3. Levante la bolsa y fíjela a la manguera con el clip de la bolsa (n).
4. Empuje el cabezal del flotador (c) completamente hacia adelante, contra el cuerpo del limpiador.



Operación del limpiador



⚠ ADVERTENCIA

Para evitar riesgos de lesiones potencialmente graves, no nade ni use la piscina cuando el limpiador está sumergido o en funcionamiento.

1

Ponga en marcha el limpiador

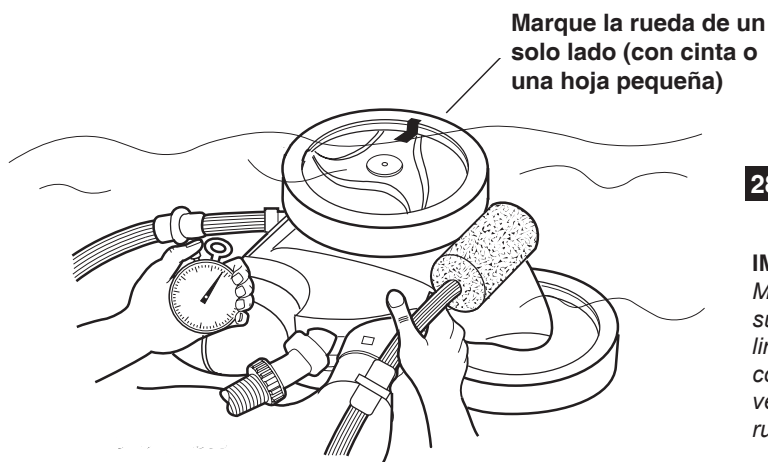
1. Conecte la manguera en la piscina en el accesorio UWF®.
2. Sumerja el limpiador en la piscina y deje que se hunda hasta el fondo.
3. Encienda la bomba de filtrado y déjela cebar. El limpiador comenzará a moverse.

2

Cómo comprobar que las RPM de la rueda sean correctas

Antes de operar el limpiador Polaris®, compruebe que las revoluciones por minuto (RPM) de la rueda sean correctas. Para la máxima eficiencia, el limpiador Polaris debe funcionar entre 28 y 32 RPM.

1. Marque la rueda de un solo lado con un pedazo de cinta (o una hoja pequeña metida dentro del neumático).
2. Encienda la bomba, sumerja el limpiador y cuente las revoluciones de la rueda durante un minuto.
3. La velocidad óptima de la rueda debe ser **entre 28 y 32 RPM**.



28 - 32 RPM

1 min

IMPORTANTE

Mantenga sumergido el limpiador para un conteo preciso de la velocidad de la rueda.

3

Ajuste de la velocidad de la rueda

¿La velocidad de la rueda es menor a 28 RPM?

- Compruebe que no haya desechos en la pantalla del filtro en la desconexión rápida.
- Limpie el skimmer, el filtro y la canasta de la bomba.
- Compruebe que no haya fugas en las mangueras, las conexiones y la conexión giratoria.
- Si el limpiador está conectado a una línea de retorno exclusiva, ajuste la válvula de desvío para aumentar el flujo de agua.

¿La velocidad de la rueda es mayor a 32 RPM?

- Si el limpiador está conectado a una línea de limpiador exclusiva, ajuste la válvula de desvío para reducir el flujo de agua hacia el limpiador.
- Desatornille la válvula de alivio de presión hasta alcanzar las RPM adecuadas.
NOTA: Para quitarla más fácilmente, utilice la herramienta de extracción Polaris® UWF® (comuníquese con un distribuidor local de Polaris, **nro. de pieza 10-102-00**).

Ajuste fino del limpiador

Cuando funciona correctamente, el limpiador Polaris® aspira, barre y restriega todas las superficies al azar en toda la piscina. La capacidad de trepar paredes depende de la forma de la piscina y de la presión o el flujo de agua. El limpiador Polaris tiene una mayor capacidad de trepar paredes en piscinas sin ángulos pronunciados o curvas en la transición desde el fondo de la piscina hasta las paredes. Cada aproximadamente 3 minutos y medio, el limpiador Polaris pasa a modo de reserva. Esta acción hace que el limpiador Polaris se aleje de los obstáculos en la piscina.

Para realizar un ajuste fino del limpiador, ajuste la manguera de barrido o el chorro de impulso según sea necesario para un funcionamiento óptimo.

1

Ajuste de la manguera de barrido

La manguera de barrido debe tener un movimiento suave. Para aumentar o disminuir la velocidad de este movimiento:

1. APAGUE la bomba de filtrado.
2. Gire el tornillo de ajuste en la tubería de alimentación (r) en sentido antihorario para aumentar la velocidad del movimiento de barrido de la manguera. Gire el tornillo en sentido horario para disminuir la velocidad.



Menos movimiento



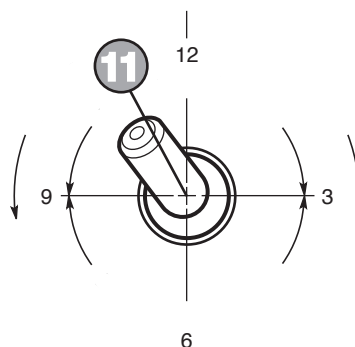
Más movimiento

2

Ajuste del chorro de impulso

Si el limpiador se desvía hacia la izquierda o la derecha en lugar de seguir un camino recto, ajuste el chorro de impulso (en la parte posterior del cuerpo del limpiador) para trepar por las paredes o girar.

NOTA: La configuración predeterminada de fábrica es la posición 11. Solo debe ajustar el chorro de impulso para adaptarlo a formas de piscina únicas.



Mantenimiento de rutina

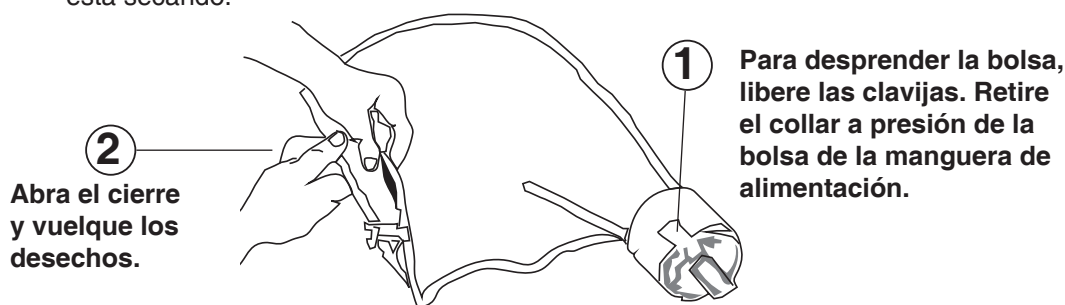
Para prolongar la vida útil del limpiador, debe realizar mantenimiento de rutina.

1

Vaciado de la bolsa

Debe vaciar la bolsa cuando esté a la mitad de su capacidad, especialmente si la carga de suciedad está compuesta mayormente por arena.

NOTA: Es más fácil vaciar una bolsa seca. Retire la bolsa y déjela secar antes de vaciarla. Alterne entre dos bolsas para no interrumpir el ciclo de limpieza mientras una de ellas se está secando.



2

Retrolavado del filtro de la piscina

Debe retrolavar periódicamente el filtro de la piscina. Siempre debe desconectar el limpiador Polaris® de la pared de la piscina antes de limpiar o retrolavar el filtro de la piscina. Después de limpiar o retrolavar, deje correr al menos cinco minutos el sistema de filtrado para purgar las líneas de retorno antes de reconectar el limpiador Polaris.

3

Almacenamiento e invernaje

NOTA: Jamás debe almacenar el limpiador bajo luz solar directa.

Para almacenar el limpiador durante el invierno:

1. Retire el limpiador de la piscina y drene toda el agua para evitar daños por congelamiento del agua (la garantía no cubre este tipo de daños).
2. Quite el accesorio UWF® de la piscina con la desconexión rápida. Aplique presión mientras desatornilla.
Si es necesario, utilice la herramienta de extracción UWF (nro. de pieza 10-102-00), disponible en su distribuidor local de Polaris.

Solución de problemas

Problema	Solución
<p>Se atasca en los escalones o en otros obstáculos durante más de 3 minutos y medio.</p>	<ol style="list-style-type: none"> 1. Compruebe las RPM de la rueda. 2. Compruebe que la válvula de retroceso esté en funcionamiento. 3. Ajuste el chorro de impulso. 4. Quite las piezas innecesarias de la piscina o instale un kit de protección de escalerilla (nro. de pieza G21) de un distribuidor de Polaris®. 5. Compruebe la bolsa y vacíela si es necesario.
<p>El limpiador funciona lento o con menos potencia que la normal.</p>	<ol style="list-style-type: none"> 1. Compruebe la pantalla del filtro en la desconexión rápida y límpiela si es necesario. 2. Limpie la canasta del skimmer, la canasta de la bomba y el filtro de la piscina. 3. Compruebe que no haya fugas en las mangueras, las conexiones y las conexiones giratorias, ya que eso podría provocar pérdida de presión de agua. 4. Compruebe las RPM de la rueda (deben ser entre 28 y 32).
<p>El limpiador vuela por la pileta o no hace contacto con el fondo.</p>	<ol style="list-style-type: none"> 1. Compruebe las RPM de la rueda. <ul style="list-style-type: none"> - Si el limpiador está conectado con una línea de retorno dedicada con válvula de desvío, ajuste la válvula para reducir el flujo de agua hacia el limpiador. - Si las RPM son más de 32, desatornille la válvula de alivio de presión para reducir el flujo de agua hacia el limpiador. 2. Compruebe que la válvula de retroceso esté en funcionamiento. Saque la válvula del agua y observe el chorro. Debería reactivarse cada 3 minutos y medio.
<p>El limpiador no retrocede.</p>	<ol style="list-style-type: none"> 1. Compruebe que la válvula de retroceso se active cada 3 minutos y medio. 2. Compruebe las RPM de la rueda (deben ser entre 28 y 32). 3. Si la bolsa está llena, vacíela. 4. Si el cabezal del flotador contiene agua, reemplácelo. 5. Asegúrese de que la manguera de alimentación flote.
<p>El limpiador gira en una sola dirección.</p>	<ol style="list-style-type: none"> 1. Ajuste el chorro de impulso. 2. Verifique que el conjunto de la manguera de alimentación flote como corresponde. Los flotantes de la manguera llenos de agua pueden hacer que la manguera de alimentación se hunda. Las mangueras viejas pueden perder flotabilidad; reemplácela si es necesario. 3. Si el extremo de la manguera que se conecta con el limpiador tiene una curva, debe alinearla con la curva de la tubería de alimentación. 4. Asegúrese de que la conexión giratoria en la tubería de alimentación gire libremente.

Problema	Solución
<p>La manguera de alimentación se enreda.</p>	<ol style="list-style-type: none"> 1. Vuelva a medir la manguera para asegurarse de que esté ajustada con la longitud adecuada para la forma de la piscina. 2. Con el limpiador Polaris en funcionamiento, compruebe que las conexiones giratorias de la manguera y las conexiones de la manguera giren libremente. 3. Asegúrese de que la manguera de alimentación flote. 4. Con el limpiador Polaris® apagado, gire cada una de las ruedas. Todas las ruedas deben girar juntas.
<p>El tubo de aspiración succiona la manguera de barrido.</p>	<ol style="list-style-type: none"> 1. Asegúrese de que el orificio ubicado en el extremo de la manguera de barrido no esté bloqueado por el restregador de la manguera de barrido. 2. Ajuste la manguera de barrido para que el movimiento sea suave.
<p>La manguera de barrido rocía demasiada agua fuera de la piscina.</p>	<ol style="list-style-type: none"> 1. Para modificar la velocidad de la manguera de barrido, apriete el tornillo de ajuste. 2. Reemplace el restregador de la manguera de barrido (nro. de pieza 9-100-3105) si está desgastado o se ha perdido. 3. Añada un accesorio Polaris TailSweep PRO® (nro. de pieza TSP10) para reducir el rociado excesivo.
<p>El limpiador no limpia toda la pileta.</p>	<ol style="list-style-type: none"> 1. Compruebe que la longitud de la manguera llegue a 6" del punto más alejado de la piscina. De lo contrario, solicite una nueva sección de manguera en su distribuidor de Polaris. 2. Compruebe que la posición del chorro de impulso se encuentre en el 11, ya que así se optimizan los giros al azar. 3. Con la bomba en funcionamiento, coloque el cabezal del limpiador boca abajo. Compruebe que los tres chorros de impulso tengan un flujo constante y sin obstrucciones. De lo contrario, comuníquese con servicio al cliente o con un centro de servicio autorizado de Polaris para recibir asistencia.
<p>El limpiador gira en círculos de costado.</p>	<ol style="list-style-type: none"> 1. Compruebe la bolsa del filtro; si está llena, puede voltear al limpiador hacia uno de sus lados. 2. Quite el flotador de la bolsa y sacúdalo. Si hay agua dentro del flotador, solicite uno nuevo. 3. El flotador de la manguera de alimentación debe flotar de manera equilibrada sobre la superficie de la piscina.

Problema	Solución
El limpiador no trepa por las paredes.	<ol style="list-style-type: none"> 1. Compruebe que la velocidad de las ruedas sea de 28 - 32 RPM. 2. Compruebe que el chorro de impulso esté en la posición 11. 3. Compruebe que el cabezal del flotador esté completamente hacia adelante. 4. Compruebe que las mangueras se hayan cortado correctamente y de acuerdo con las instrucciones. 5. Con la bomba en funcionamiento, coloque el cabezal del limpiador boca abajo. Compruebe que los tres chorros de impulso tengan un flujo constante y sin obstrucciones. De lo contrario, comuníquese con servicio al cliente o con un centro de servicio autorizado de Polaris® para recibir asistencia.
Los neumáticos del limpiador se deslizan sobre una superficie de la piscina con mosaicos o fibra de vidrio.	<ol style="list-style-type: none"> 1. Compruebe que el limpiador tenga instalados neumáticos Polaris PosiTrax® en las tres ruedas. Los neumáticos Polaris PosiTrax se usan solo para superficies de piscinas con mosaicos o fibra de vidrio. 2. Compruebe que la velocidad de las ruedas sea de 28 - 32 RPM.
Las ruedas rotan menos que 28 veces por minuto	<ol style="list-style-type: none"> 1. Compruebe que la pantalla del filtro, las canastas de la bomba y el filtro principal estén limpios. 2. Compruebe que no haya fugas en las mangueras, las conexiones giratorias o los conectores del limpiador. 3. Si el limpiador está instalado en una línea de limpiador exclusiva, ajuste la válvula de desvío para aumentar el flujo hacia el limpiador.
Las ruedas rotan más que 32 veces por minuto	<ol style="list-style-type: none"> 1. Si el limpiador está conectado a una línea de limpiador exclusiva, ajuste la válvula de desvío para reducir el flujo de agua hacia el limpiador. 2. Desatornille la válvula de alivio en el conjunto del conector UWF® hasta que las RPM sean entre 28 y 32.

¿Alguna pregunta?

Si desea alguna pieza de repuesto o tiene una pregunta por otro problema, llámenos o visite nuestro sitio web.



1.800.822.7933



www.polarispool.com

Zodiac Pool Systems, Inc.
2620 Commerce Way, Vista, CA 92081
1.800.822.7933 | www.polarispool.com

*Polaris® y el diseño del limpiador de 3 ruedas son marcas comerciales registradas de Zodiac Pool Systems, Inc.
El resto de las marcas comerciales a las que se hace referencia en el presente son propiedad de sus respectivos dueños.*

©2017 Zodiac Pool Systems, Inc. LP50_REVD

