



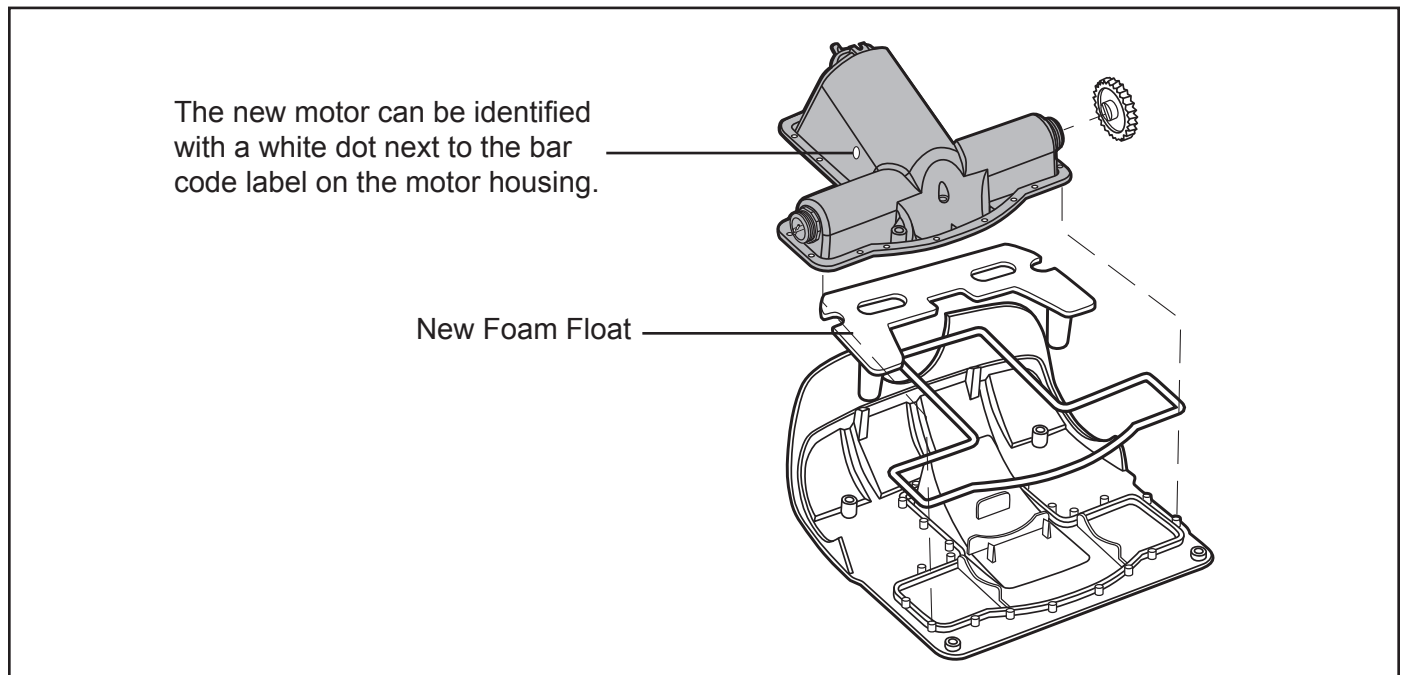
Addendum to Polaris 9300 Sport O/M (TL-1501) & 9300xi Sport O/M (W2093A)

Reference: 9300 Motor Block R-Kit (R0516900)
9300xi Motor Block R-Kit (R0528800)

Please Note: A motor change in the Polaris 9300/9300xi Sport Robotic took place in October 2010. The additional weight of the new motor required installation of an additional float in the body assembly (see Figure below).

This change does not require any action on the part of the consumer. There will be no changes to the replacement kit part numbers. If service to the motor block is needed, please contact your local Polaris dealer.

For a complete list of 9300 & 9300xi Sport replacement parts, reference the Exploded View and Parts List in the 9300 Sport O/M (TL-1501) and the 9300xi Sport O/M (W2093A) .



Zodiac Pool Systems, Inc.
2620 Commerce Way, Vista, CA 92081
1.800.822.7933 | www.ZodiacPoolSystems.com

ZODIAC® is a registered trademark of Zodiac International, S.A.S.U., used under license.
All trademarks referenced herein are the property of their respective owners.

©2011 Zodiac Pool Systems, Inc. H0357000 Rev - 0111

