

CLEANERS

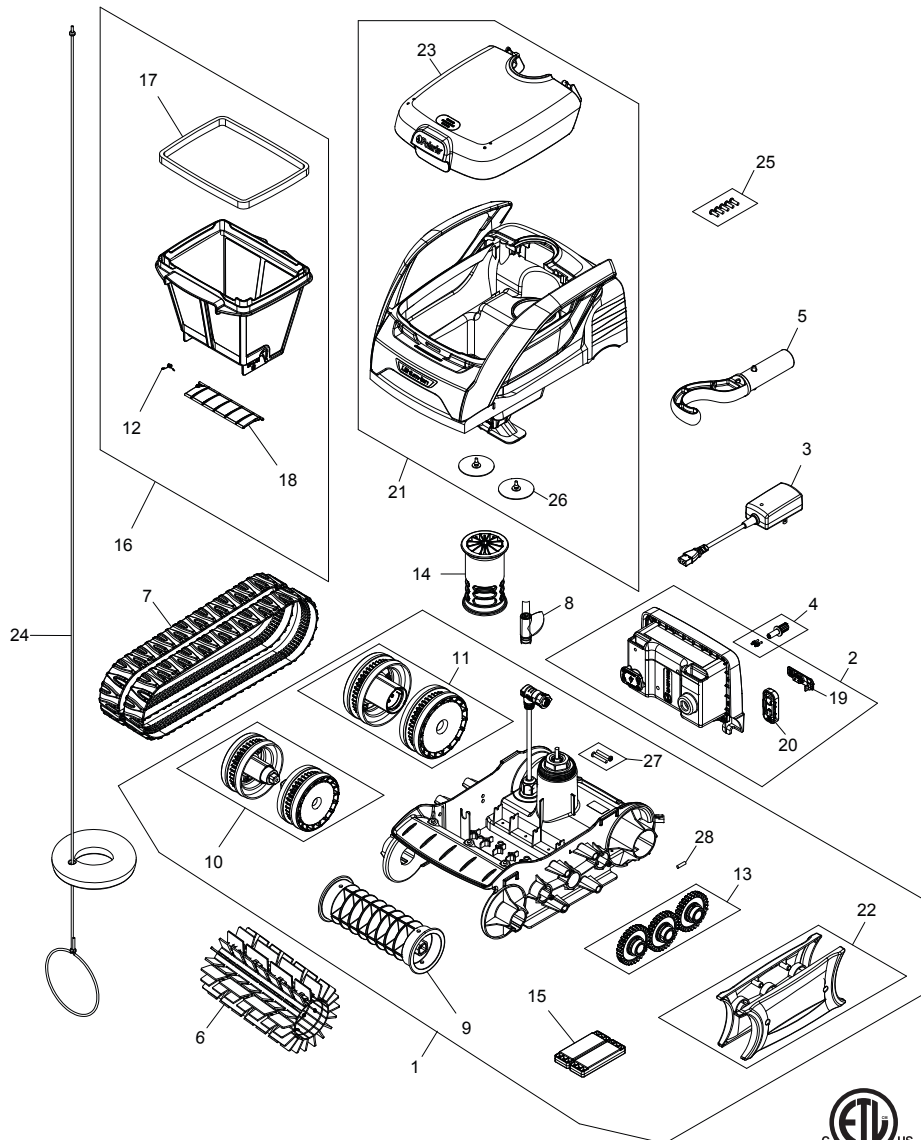


Polaris® PIXEL™ Compact Cordless Robotic Cleaner

Key Part No.	Description	Pcs/Model	Pcs/PN
1	R1066100 Complete Chassis Black	1	1
2	R1066900 Battery Block	1	1
3	R1066700* Battery Charger, US	1	1
4	R1067700* Removable Pins Set TB	2	2
5	R0973400 Hook, Cyan	1	1
6	R0765500* Brush PMS295	1	1
7	R0765700* Track GP, 2/PK	2	2
8	R0766200 Impeller	1	1
9	R0767000 Brush Holder	1	1
10	R0771800 Complete Front Wheels	2	2
11	R0771900 Complete Back Wheels	2	2
12	R1008400 Canister Inlet Flap Spring	1	1
13	R1065600 Complete Gears System	1	1
14	R1065800 Flow Outlet Black	1	1

Key Part No.	Description	Pcs/Model	Pcs/PN
15	R1065900 Ballast Larger, 2/PK	2	2
16	R1066300* General Purpose Canister	1	1
17	R1066400 Canister Seal	1	1
18	R1066500 Canister Inlet Flap	1	1
19	R1067000* Charging Cap	1	1
20	R1067100 Power Switch	1	1
21	R1067500 Body Housing TB B, Navy Blue	1	1
22	R1067600 Right and Left Flanges Black	2	2
23	R1069500 Clear Cover TB Polaris	1	1
24	R1067200 Floating Ring and Leash	1	1
25	R0516700 Screw 4*12mm, 5/PK	9	5
26	R0633300 Exhaust Valve C, 3/PK	3	3
27	R0638900 Screw 4*25mm, 5/PK	2	5
28	R0657900 Motor Block Shaft Pin, 5/PK	5	5

*Suggested stocking part



©2024 Fluidra. All rights reserved. The trademarks and trade names used herein are the property of their respective owners. 57781_2_SA



All Polaris Robotic cleaners are ETL listed. Type ET37--