

Polaris® PB4-60

ENGLISH | ESPAÑOL

Pressure Cleaner Booster Pump Installation and Operation Manual



For Polaris PB4-60 Booster Pumps with Serial Numbers beginning with "PB" and a manufacturing date on or after Dec 1, 2011.

WARNING

FOR YOUR SAFETY - This product must be installed and serviced by a contractor who is licensed and qualified in pool equipment by the jurisdiction in which the product will be installed, where such state or local requirements exist. In the event no such state or local requirement exists, the maintainer must be a professional with sufficient experience in pool equipment installation and maintenance, so that all of the instructions in this manual can be followed exactly. Improper installation and/or operation can create dangerous electrical hazards, which can cause high voltages to run through the electrical system. Before installing this product, read and follow all warning notices and instructions that accompany this product. Failure to follow warning notices and instructions may result in property damage, personal injury, or death. Improper installation and/or operation will void the warranty.

If these instructions are not followed exactly, a fire or explosion may result, causing property damage, personal injury, or death.



ATTENTION INSTALLER: This manual contains important information about the installation, operation and safe use of this product. This information should be given to the owner/operator of this equipment.

Table of Contents

Section 1. IMPORTANT SAFETY INSTRUCTIONS	3	3.3 Plumbing	7
1.1 Safety Instructions	3	3.3.1 Requirements	7
1.2 Pool Pump Suction Entrapment Prevention Guidelines	5	3.3.2 Pipe Sizing.....	8
Section 2. General Description	6	3.3.3 Pump Location.....	8
2.1 Introduction	6	3.3.4 Install the Pump.....	8
2.2 Description	6	3.3.5 Installation Recommendations	9
2.3 Preparation	6	3.3.6 Check the Water Flow	9
Section 3. Installation	6	3.3.7 Conduct Pressure Test	10
3.1 Electrical Installation	6	Section 4. Operation	10
3.1.1 Voltage Checks	6	4.1 Start-up	10
3.1.2 Bonding and Grounding.....	6	Section 5. Maintenance	11
3.2 Electrical	6	5.1 Winterizing the Pump.....	11
3.2.1 Electrical Wiring.....	6	Section 6. Product Specifications and Technical Data	11
		6.1 Replacement Parts List.....	11
		6.3 Pump Dimensions.....	12
		6.2 Polaris PB4-60 Booster Pump Exploded View .	12

EQUIPMENT INFORMATION RECORD

DATE OF INSTALLATION _____

INSTALLER INFORMATION _____

INITIAL PRESSURE GAUGE READING (WITH CLEAN FILTER) _____

PUMP MODEL _____ HORSEPOWER _____

NOTES: _____

Section 1. IMPORTANT SAFETY INSTRUCTIONS

READ AND FOLLOW ALL INSTRUCTIONS

1.1 Safety Instructions

All electrical work must be performed by a licensed electrician and conform to all national, state, and local codes. When installing and using this electrical equipment, basic safety precautions should always be followed, including the following:

WARNING

To reduce the risk of injury, do not permit children to use this product.

WARNING

To reduce the risk of property damage or injury, do not attempt to change the backwash (multiport, slide, or full flow) valve position with the pump running.

WARNING

Polaris pumps are powered by a high voltage electric motor and must be installed by a licensed or certified electrician or a qualified swimming pool service technician.

WARNING

RISK OF ELECTRIC SHOCK, FIRE, PERSONAL INJURY, OR DEATH. Connect only to a branch circuit that is protected by a ground-fault circuit-interrupter (GFCI). Contact a qualified electrician if you cannot verify that the circuit is protected by a GFCI. Make sure such a GFCI should be provided by the installer and should be tested on a routine basis. To test the GFCI, push the test button. The GFCI should interrupt power. Push the reset button. Power should be restored. If the GFCI fails to operate in this manner, the GFCI is defective. If the GFCI interrupts power to the pump without the test button being pushed, a ground current is flowing, indicating the possibility of electrical shock. Do not use the pump. Disconnect the pump and have the problem corrected by a qualified service representative before using.

Due to the potential risk of fire, electric shock, or injuries to persons, Zodiac Pumps must be installed in accordance with the National Electrical Code® (NEC®), all local electrical and safety codes, and the Occupational Safety and Health Act (OSHA®). Copies of the NEC may be ordered from the National Fire Protection Association® (NFPA®) online at www.nfpa.org or call 617-770-3000, or contact your local government inspection agency.

WARNING

Incorrectly installed equipment may fail, causing severe injury or property damage.

WARNING

- Do not connect the system to an unregulated city water system or other external source of pressurized water producing pressures greater than 35 PSI.
- Trapped air in system can cause the filter lid to be blown off, which can result in death, serious personal injury, or property damage. Be sure all air is out of the system before operating.

⚠ WARNING

To minimize the risk of severe injury or death the filter and/or pump should not be subjected to the piping system pressurization test.

Local codes may require the pool piping system to be subjected to a pressure test. These requirements are generally not intended to apply to the pool equipment such as filters or pumps.

Polaris pool equipment is pressure tested at the factory.

However, if the WARNING cannot be followed and pressure testing of the piping system must include the filter and/or pump, **BE SURE TO COMPLY WITH THE FOLLOWING SAFETY INSTRUCTIONS:**

- Check all clamps, bolts, lids, lock rings and system accessories to ensure they are properly installed and secured before testing.
- RELEASE ALL AIR in the system before testing.
- Water pressure for test must NOT EXCEED 35 PSI.
- Water temperature for test must NOT EXCEED 100°F (38°C).
- Limit test to 24 hours. After test, visually check system to be sure it is ready for operation.

NOTICE: These parameters apply to Zodiac equipment only. For non-Zodiac equipment, consult equipment manufacturer.

⚠ WARNING

Chemical spills and fumes can weaken pool/spa equipment. Corrosion can cause filters and other equipment to fail, resulting in severe injury or property damage. Do not store pool chemicals near your equipment.

⚠ CAUTION

Do not start pump dry! Running the pump dry for any length of time will cause severe damage and will void the warranty.

⚠ CAUTION

This pump is for use with permanently installed pools and may also be used with hot tubs and spas if so marked. Do not use with storable pools. A permanently installed pool is constructed in or on the ground or in a building such that it cannot be readily disassembled for storage. A storable pool is constructed so that it may be readily disassembled for storage and reassembled to its original integrity.

⚠ CAUTION

Do not install within an outdoor enclosure or beneath the skirt of a hot tub or portable spa. The pump requires adequate ventilation to maintain air temperature at less than the maximum ambient temperature rating listed on the motor rating plate.

SAVE THESE INSTRUCTIONS

1.2 Pool Pump Suction Entrapment Prevention Guidelines

⚠ WARNING

Pump suction is hazardous and can trap and drown or disembowel bathers. Do not use or operate swimming pools, spa, or hot tubs if a suction outlet cover is missing, broken, or loose. The following guidelines provide information for pump installation that minimizes the risk of injury to users of pools, spas, and hot tubs:

Entrapment Protection - The pump suction system must provide protection against the hazards of suction entrapment.

Suction Outlet Covers - All suction outlets must have correctly installed, screw-fastened covers in place. All suction outlet (drain) covers must be maintained. Drain covers must be listed/certified to the latest version of ANSI®/ASME® A112.19.8 or its successor standard, ANSI/APSP-16. They must be replaced if cracked, broken, or missing.

Number of Suction Outlets Per Pump - Provide at least two (2) hydraulically-balanced main drains, with covers, as suction outlets for each circulating pump suction line. The centers of the main drains (suction outlets) on any one (1) suction line must be at least three (3) feet apart, center to center. See Figure 1.

The system **must** be built to include at least two (2) suction outlets (drains) connected to the pump whenever the pump is running. However, if two (2) main drains run into a single suction line, the single suction line may be equipped with a valve that will shut off both main drains from the pump. The system shall be constructed such that it shall not allow for separate or independent shutoff or isolation of each drain. See Figure 1.

More than one (1) pump can be connected to a single suction line as long as the requirements above are met.

Water Velocity - The maximum water velocity through the suction fitting or cover for any suction outlet must be 1.5 feet per second unless the outlet complies with the latest version of ANSI/ASME A112.19.8 or its successor standard, ANSI/APSP-16, the standard for Suction Fittings For Use in Swimming Pools, Wading Pools, Spas, and Hot Tubs. In any case, do not exceed the suction fitting's maximum designed flow rate.

If 100% of the pump's flow comes from the main drain system, the maximum water velocity in the pump suction hydraulic system must be six (6) feet per second or less, even if one (1) main drain (suction outlet) is completely blocked. The flow through the remaining main drain(s) must comply with the latest version of ANSI/ASME A112.19.8 or its successor standard, ANSI/APSP-16, the standard for Suction Fittings For Use in Swimming Pools, Wading Pools, Spas, and Hot Tubs.

Testing and Certification - Suction outlet covers must have been tested by a nationally recognized testing laboratory and found to comply with the latest version of ANSI/ASME A112.19.8 or its successor standard, ANSI/APSP-16, the standard for Suction Fittings For Use in Swimming Pools, Wading Pools, Spas, and Hot Tubs.

Fittings - Fittings restrict flow; for best efficiency use fewest possible fittings (but at least two (2) suction outlets).

Avoid fittings which could cause an air trap.

Pool cleaner suction fittings must conform to applicable International Association of Plumbing and Mechanical Officials (IAPMO®) standards.

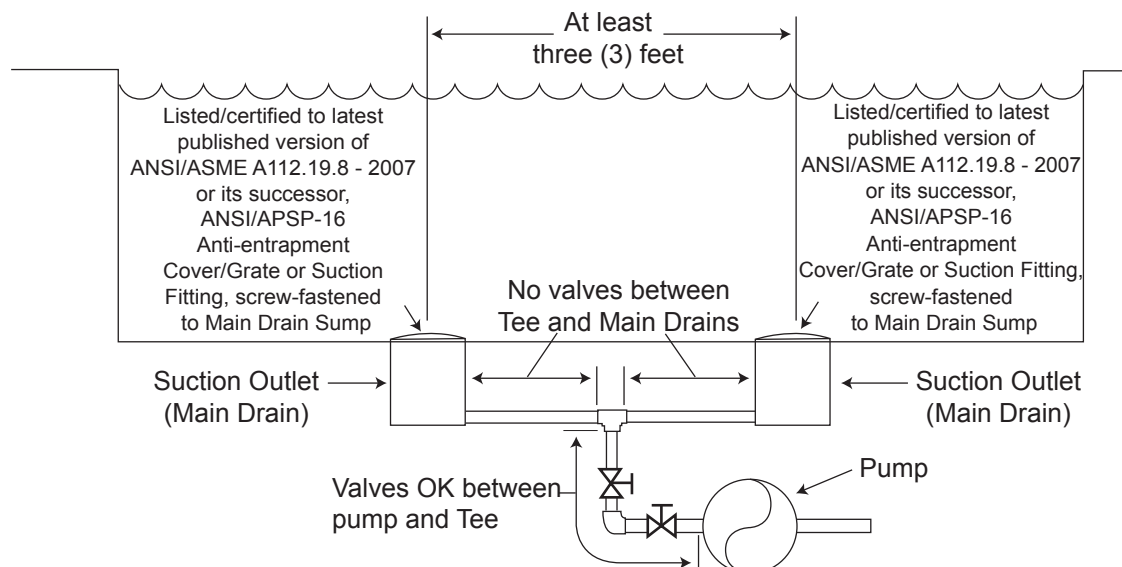


Figure 1. Number of Suction Outlets Per Pump

Section 2. General Description

2.1 Introduction

This manual contains information for the proper installation, operation and maintenance of the Polaris PB4-60 pump. Procedures in this manual must be followed exactly. To obtain additional copies of this manual contact Zodiac Pool Systems, Inc. ("Zodiac") at 800.822.7933. For address information, see the back cover of this manual.

2.2 Description

The Polaris booster pump, PB4-60, supplies high pressure water to the Polaris pool cleaner to optimize cleaner efficiency. The pump is not self-priming and should only be used when the pool filtration pump is on.

CAUTION

Running the booster pump without a filtration pump will damage the booster pump. Improper operation of the booster pump will void the warranty.

2.3 Preparation

1. Upon receipt of the pump, check the carton for damage. Open the carton and check the pump for concealed damage, such as cracks, dents or a bent base. If damage is found, contact the shipper or distributor where you purchased the pump.
2. Inspect the contents of the carton and verify that all the parts are included. See Section 7.1, Replacement Parts List.

Section 3. Installation

3.1 Electrical Installation

3.1.1 Voltage Checks

The correct voltage, as specified on the pump data plate, is necessary for proper performance and long motor life. Incorrect voltage will decrease the pump's ability to perform and could cause overheating, reduce the motor life, and result in higher electric bills.

It is the responsibility of the electrical installer to provide data plate operating voltage to the pump by ensuring proper circuit sizes and wire sizes for this specific application.

The National Electrical Code® (NEC®, NFPA-70®) requires all pool pump circuits be protected with a Ground Fault Circuit-Interrupter (GFCI). Therefore, it is also the responsibility of the electrical installer to ensure that the pump circuit is in compliance with this and all other applicable requirements of the National Electrical Code (NEC) and any other applicable installation codes.

CAUTION

Failure to provide data plate voltage (within 10%) during operation will cause the motor to overheat and void the warranty.

3.1.2 Bonding and Grounding

1. The motor frame must be grounded to a reliable grounding point using a solid copper conductor, No. 8 AWG (8.4mm²) or larger. In Canada, No. 6 AWG (13.3mm²) or larger must be used. If the pump is installed within five (5) feet (1,5 meter) of the inside walls of the swimming pool, spa, or hot tub, the motor frame must be bonded to all metal parts of the swimming pool, spa, or hot tub structure and to all electrical equipment, metal conduit, and metal piping within five (5) feet (1,5 meter) of the inside walls of the swimming pool, spa, or hot tub.
2. Bond the motor using the provided external lug.

WARNING

To avoid the risk of property damage, severe personal injury, and/or death, always disconnect the power source before working on a motor or its connected load.

WARNING

To avoid the risk of property damage, severe personal injury, and/or death, make sure that the control switch or time clock is installed in an accessible location so that in the event of an equipment failure or a loose plumbing fitting the equipment can be turned off. This location must not be in the same area as the pool pump, filter, and other equipment.

CAUTION

The pump must be permanently connected to a dedicated electrical circuit. No other equipment, lights, appliances or outlets may be connected to the pump circuit, with the exception of devices that may be required to operate simultaneously with the pump, such as a chlorinating device or heater.

3.2 Electrical

Motor Rating				
HP	S.F	RPM	VOLTS	S.F. AMPS
3/4	1.5	3450	230/115, 60Hz, 1PH	6.4/12.8

Table 1. Maximum Wire Size and Overcurrent Protection

MAXIMUM WIRE SIZE AND MAXIMUM OVERCURRENT PROTECTION*								
Distance from Sub-Panel			0-50 feet (15 meters)		50-100 feet (15-30 meters)		100-200 feet (30-60 meters)	
Pump Model	Branch Fuse AMPs Class: CC, G, H, J, K, RK, or T		Voltage		Voltage		Voltage	
	230 VAC	115 VAC	208-230 VAC	115 VAC	208-230 VAC	115 VAC	208-230 VAC	115 VAC
PB4-60	15A	20A	14 AWG (2.1mm ²)	12 AWG (3.3mm ²)	12 AWG (3.3mm ²)	10 AWG (5.3mm ²)	10 AWG (5.3mm ²)	10 AWG (5.3mm ²)

*Assumes three (3) copper conductors in a buried conduit and 3% maximum voltage loss in branch circuit. All National Electrical Code® (NEC®) and local codes must be followed. Table shows minimum wire size and branch fuse recommendations for a typical installation per NEC.

3.2.1 Electrical Wiring

1. The pump motor must be securely and adequately grounded using the green screw provided. Ground before attempting to connect to an electrical power supply. **Do not ground to a gas supply line.**
2. Wire size must be adequate to minimize voltage drop during the start-up and operation of the pump. See Table 1 for wire sizes.
3. Insulate all connections carefully to prevent grounding or short-circuits. Sharp edges on terminals require extra protection. To prevent wire nuts from loosening, tape them using a suitable, listed (UL®, ETL®, CSA®) electrical insulating tape. For safety, and to prevent entry of contaminants, reinstall all conduit and terminal box covers. **Do not force connections into the conduit box.**
4. To configure the internal wiring of the pump motor for the correct voltage, refer to the diagram on the motor data plate.
5. The starting current of the booster pump motor may exceed 15 amps on 115 VAC voltage line. It is recommended that a 20 amp service breaker be used for the pump connected to 115 VAC.
6. The booster pump motor is factory wired for 230 volts, but can be wired for either 115 or 230 volts. To rewire to 115 volt, follow the instructions on the name plate located on the back of the motor or the sizing plate on the side of the motor.

7. A separate time clock (in addition to the filtration system time clock) is recommended to control the On/Off functions of the booster pump. A manual switch can also be used.
8. If a time clock is used, set it to turn the pump on at least a half an hour after the pool filtration pump is turned on, and turn the pump off at least half an hour before the filtration pump shuts off. Periodically check the time clock settings to make sure they are properly synchronized.

3.3 Plumbing

⚠ CAUTION

Be careful not to overtighten any pipe fitting on the inlet or outlet of the booster pump. Overtightening can cause the housing to crack.

3.3.1 Requirements

The Polaris Booster Pump requires a dedicated return line. Plumb the booster pump into the system so that it always receives flow from the filtration pump.

To ensure proper function of the pump and the cleaner, refer to Figure 2 and adhere to the following guidelines for specific equipment.

1. Plumb the dedicated line upstream of all air inducing equipment.
2. If a heater is installed on the system, tap the inlet for the booster pump into the return line

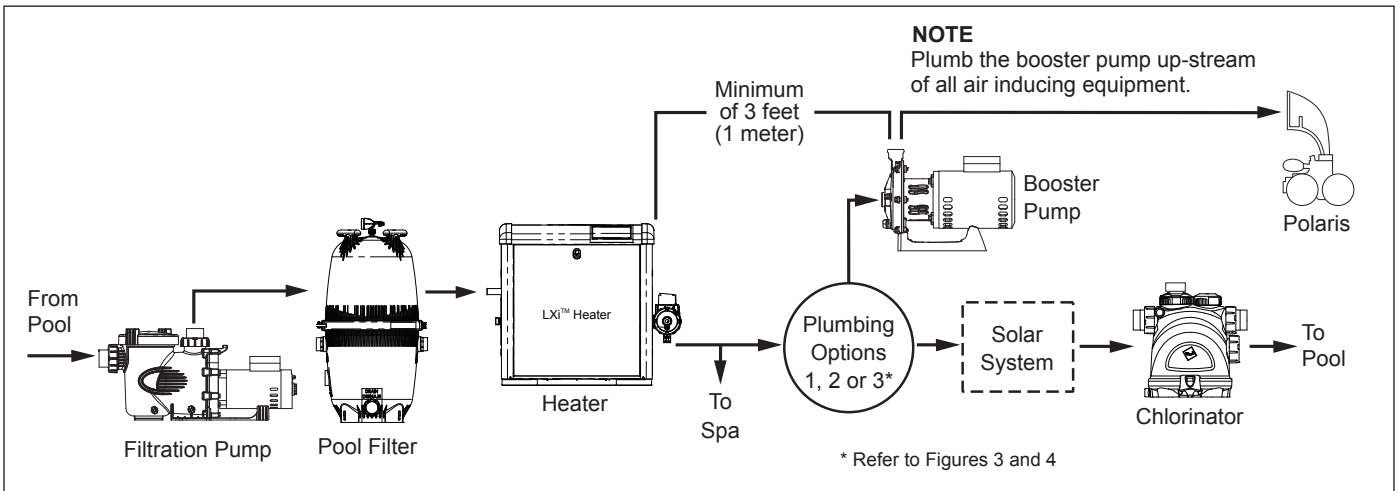


Figure 2. Typical Equipment Layout

downstream and at least three (3) feet (1 meter) from the heater discharge. See Figure 2. **Do not tap the booster pump inlet into the three-foot (1 meter) section of heat sink pipe that comes directly out of the heater.**

- Some solar heating systems utilize the entire water flow when the panels are being purged of air. If the pump is installed in a non-flow pipe during solar panel purges, install an automatic override to shut off the pump.
- Plumb the booster pump inlet higher, upstream and as far away as possible from a chlorinator.

3.3.2 Pipe Sizing

- Use rigid PVC pipe with a minimum diameter of 3/4", 1-1/2" is recommended, for the dedicated return line. Flexible PVC piping is not recommended for the dedicated pool return line underground as it can be damaged by expansion and movement caused by the surge of pump pressure. Refer to Figures 3 and 4.

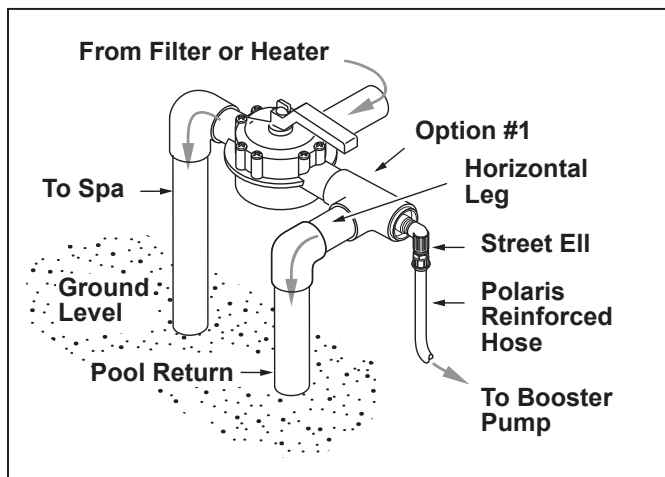


Figure 3. Preferred Plumbing Configuration

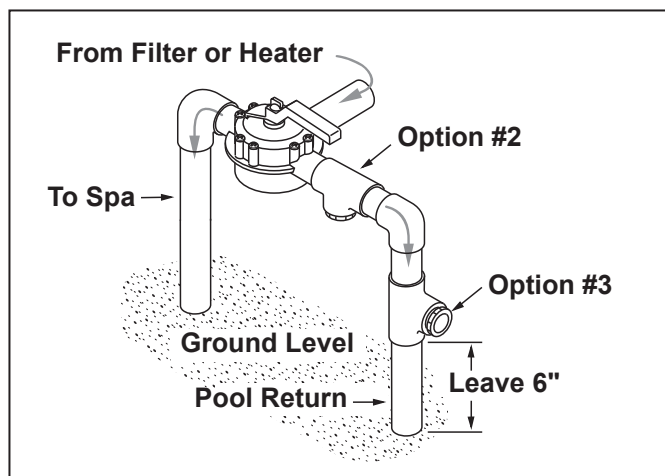


Figure 4. Alternate Plumbing Configuration

- The booster pump inlet connection line should be at least 3/4" pipe. **The Softube Quick Connect fittings are designed to work with the Polaris reinforced hose (part #P19) only.**
- Do not tap into the top of a horizontal line.
- Use 90° street ells to minimize bends and loops in the Polaris reinforced hose.

3.3.3 Pump Location

- Zodiac Pool Systems, Inc. recommends installing the pump within one 1 foot (30 cm) above the water level. The pump should not be elevated more than a few feet above the water level of the pool.
- If the pump is located below water level, isolation valves must be installed on both the suction and return lines to prevent back flow of pool water during any routine or required servicing.

⚠ WARNING

Some Safety Vacuum Release System (SVRS) devices are not compatible with installation of check valves. If the pool has an SVRS device, be sure to confirm that it will continue to safely operate when any check valves are installed.

- The pump and other circulation equipment must be located more than 5 feet (1,5 meter) from the water. Choose a location that will minimize turns in the piping.

NOTE In Canada, the pump must be located a minimum of 3.0 meters [approximately 10 feet] from the water (CSA C22.1).

- The pump must be placed on a solid foundation that will not vibrate. To further reduce the possibility of vibration noise, bolt the pump to the foundation.

NOTE Zodiac® recommends bolting the pump directly to the foundation.

- The pump foundation must have adequate drainage to prevent the motor from getting wet. The pump needs to be protected from the rain and sun.
- Proper ventilation is required for the pump to operate normally. All motors generate heat that must be removed by providing proper ventilation.
- Provide access for future service by leaving a clear area around the pump. Allow plenty of space above the pump for servicing.
- If the equipment is under cover, provide adequate lighting.

3.3.4 Install the Pump

1. Mount the pump using two (2) concrete expansion anchors to ensure stability.
2. Apply four (4) to six (6) wraps of Teflon® tape to the tapered thread of the connector barb. See Figure 5 (a).

⚠ CAUTION

Pipe dope should NEVER be used on barb threads. Pipe dope will severely weaken the plastic, causing leakage and may cause the plastic to fracture. DO NOT OVERTIGHTEN.

3. Thread and tighten the tapered thread of the connector barb into the pump port on the pump body. See Figure 5 (b).

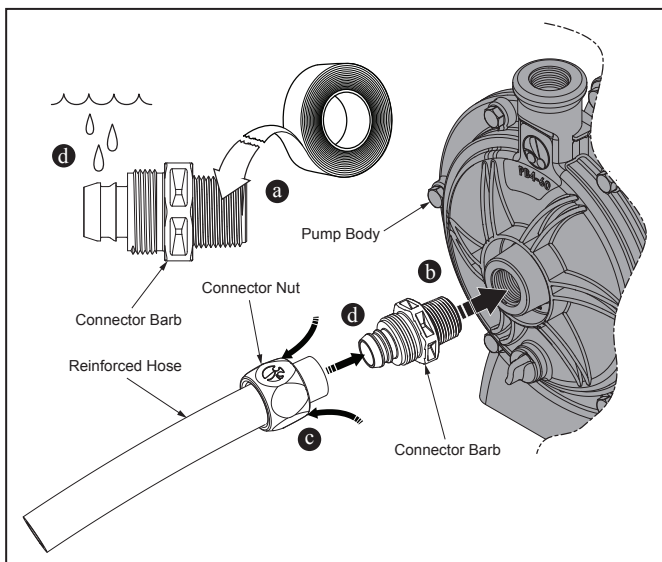


Figure 5. Prep and install Quick Connect barb and connector nut

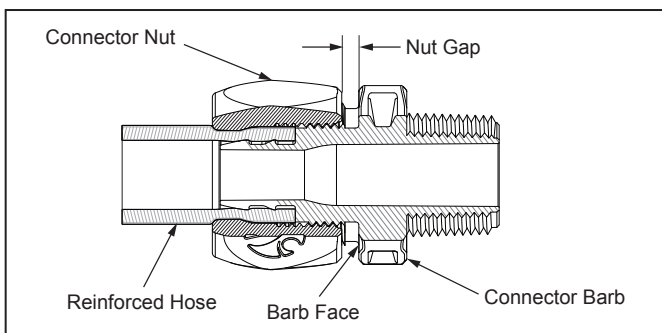


Figure 6. Tighten Connector Nut to Secure Hose

4. Trim reinforced hose to required length. Make sure cut is clean and square. Avoid unnecessary loops or bends in the hose.
5. Slide connector nut onto the trimmed end of the hose with threaded end toward the cut end of the hose. See Figure 5 (c).
6. Apply water to connector barb to help hose slide over barbs. Push trimmed edge of hose fully onto the connector barb. See Figure 5 (d).

7. Slide/Rotate the connector nut to the barb to engage threads correctly, do not cross thread connector nut. Tighten the connector nut until threads are no longer visible (gap about 1/8" or just less than the width of two dimes), or until it touches the barb face. See Figure 6.

3.3.5 Installation Recommendations

1. If the pump is located below water level, isolation valves must be installed on both sides of the pump to prevent back flow of pool water during any routine or required servicing.
2. To help prevent difficulty in priming, install the suction pipe without high points (above inlet of pump - inverted "U"s in plumbing), which can trap air.
3. The piping must be well supported and not forced together where constant stress will be experienced.
4. Always use properly sized valves. Jandy® Pro Series diverter valves and ball valves typically

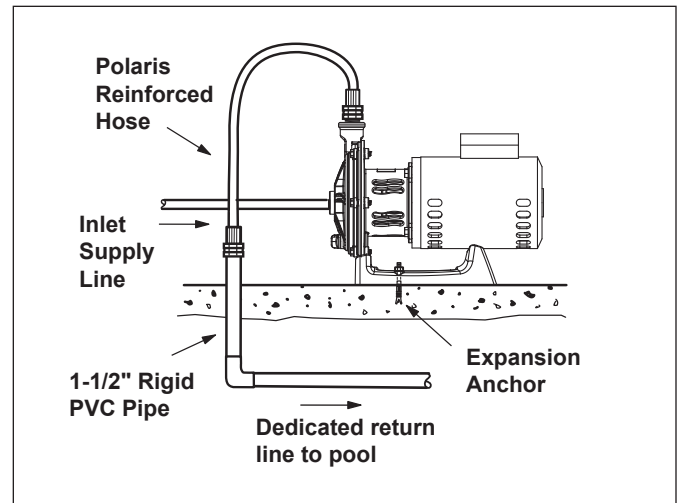


Figure 7. Complete Installation

have the best flow capabilities.

5. Use the fewest fittings possible. Every additional fitting has the effect of moving the equipment farther away from the water.

NOTE If more than 10 suction fittings are needed, the pipe size must be increased.

3.3.6 Check the Water Flow

NOTE This pump must have minimum outlet pressure of 45 psi. Lower pressure may cause an over-current motor condition.

After the system is plumbed, verify water flow to the booster pump by disconnecting the inlet supply line at the booster pump and then turning on the filtration pump. Water should flow from the line.

If there is no water flow, check the following:

1. Verify that the installation is correct. Refer to Figure 6.
2. Use smaller eyeball fittings in the pool return lines or plug a return line.

Once flow is established, the pump is ready for operation.

3.3.7 Conduct Pressure Test

WARNING

When pressure testing a system with water, air is often trapped in the system during the filling process. This air will compress when the system is pressurized. Should the system fail, this trapped air can propel debris at a high speed and cause injury. Every effort to remove trapped air must be taken, including opening the bleed valve on the filter and loosening the pump basket lid on the filter pump while filling the pump.

WARNING

Trapped air in system can cause filter lid to be blown off, which can result in death, serious personal injury, or property damage. Be sure all air is properly out of system before operating. **DO NOT USE COMPRESSED AIR TO PRESSURE TEST OR CHECK FOR LEAKS.**

WARNING

When pressure testing the system with water, it is very important to make sure that the pump basket lid on the filter pump is completely secure.

WARNING

Do not pressure test above 35 PSI. Pressure testing must be done by a trained pool professional. Circulation equipment that is not tested properly can fail, which could result in severe injury or property damage.

1. Fill the system with water, using care to eliminate trapped air.
2. Pressurize the system with water to no more than 35 PSI.
3. Close the valve to trap pressurized water in the system.
4. Observe the system for leaks and/or pressure decay.
5. For technical support, contact Zodiac® technical support at 800.822.7933.

Section 4. Operation

4.1 Start-up

CAUTION

Never run the booster pump without water. Running the pump “dry” for any length of time can cause severe damage to both the pump and motor and will void the warranty.

CAUTION

Never run the booster pump without the cleaner connected. Running the pump without the cleaner connected will cause damage to the pump impeller and will void the warranty.

If this is a new pool installation, make sure all piping is clear of construction debris and has been properly pressure tested. The filter should be checked for proper installation, verifying all connections and clamps are secure according to the manufacturer's recommendations.

WARNING

To avoid risk of damage or injury, verify that all power is turned off before starting this procedure.

1. Turn filtration pump ON.
2. Open the filter pressure release to relieve the system pressure until water comes out.
3. If the filter pump is located below the water level of the pool, opening the filter pressure release valve will prime the pump with water.
4. Once all the air has left the filter, close the pressure release valve.
5. Turn on the power to the booster pump. Then turn on the booster pump.
6. The booster pump should prime. The time it takes to prime will depend on the elevation and length of pipe used on the suction supply pipe. See *Section 3.3.6* for proper elevation and pipe size.
7. If the booster pump does not prime and all the instructions to this point have been followed, check for a suction leak.

Section 5. Maintenance

5.1 Winterizing the Pump

CAUTION

The pump **must** be protected when freezing temperatures are expected. Allowing the pump to freeze will cause severe damage and void the warranty.

CAUTION

Do not use antifreeze solutions in the pool, spa, or hot tub systems! Antifreeze is highly toxic and may damage the circulation system. The only exception to this is Propylene Glycol. For more information see your local pool/spa supply store or contact a qualified swimming pool service company.

1. Drain **all** water from the pump, system equipment, and piping.
2. Remove the drain plug. Store the drain plug in a safe location and reinstall it when the cold weather season is over. **Do not lose the o-ring.** (Drain Plug with O-ring Set, R0537000).

3. Keep the motor covered and dry.

NOTE Covering the pump with plastic will create condensation, and this moisture will damage the pump. The best way to protect your pump is to have a qualified service technician or electrician properly disconnect the electrical wiring at the switch or junction box. Once the power is removed, the two (2) quick connect fittings can be loosened and the pump stored indoors. For safety, and to prevent entry of contaminants, reinstall all conduit and terminal box covers.

4. When the system is reopened for operation, make sure all piping, valves, wiring, and equipment are in accordance with the manufacturer's recommendations. Pay close attention to the filter and electrical connections.
5. The pump must be primed prior to starting; refer to *Section 4.1, Start-up*.

Section 6. Product Specifications and Technical Data

6.1 Replacement Parts List

To order or purchase parts for Polaris® pumps, contact your nearest Zodiac® dealer. If they cannot supply you with what you need, contact Zodiac technical support at 800.822.7933 or www.zodiacpoolsystems.com.

Key No.	Description	Qty	Order Part No.	Comments
1	Replacement Motor for Booster Pump	1	P61	
2	O-Ring, Backplate, PB4-60	1	R0536600	
3	Seal, Ceramic and Spring	1	R0445500	
4	Impeller, PB4-60	1	R0536400	
5	Volute, PB4-60	1	R0536300	(Includes Drain Plug with O-Ring)
6	Bolts with Washers and Nuts	6	R0536900	
7	Drain Plug with O-Ring, Common	1	R0537000	
8	Base, Booster, PB4-60	1	R0537100	
9	Bolts and Washers, Stainless, Motor, PB4-60	4	R0536800	
10	Quick Connect Install Kit	1	R0617100	Kit includes 1 ea 6' length of reinforced hose and 4 ea Quick Connect fittings.
11	Quick Connect Fittings	4	R0621000	Comes with 4ea Quick Connect Fittings and Installation Instructions.
12	Pump Hose 6FT Reinforced	1	P19	
13	Backplate PB4-60	1	R0536700	Includes Seal and Backplate O-ring.

6.2 Polaris PB4-60 Booster Pump Exploded View

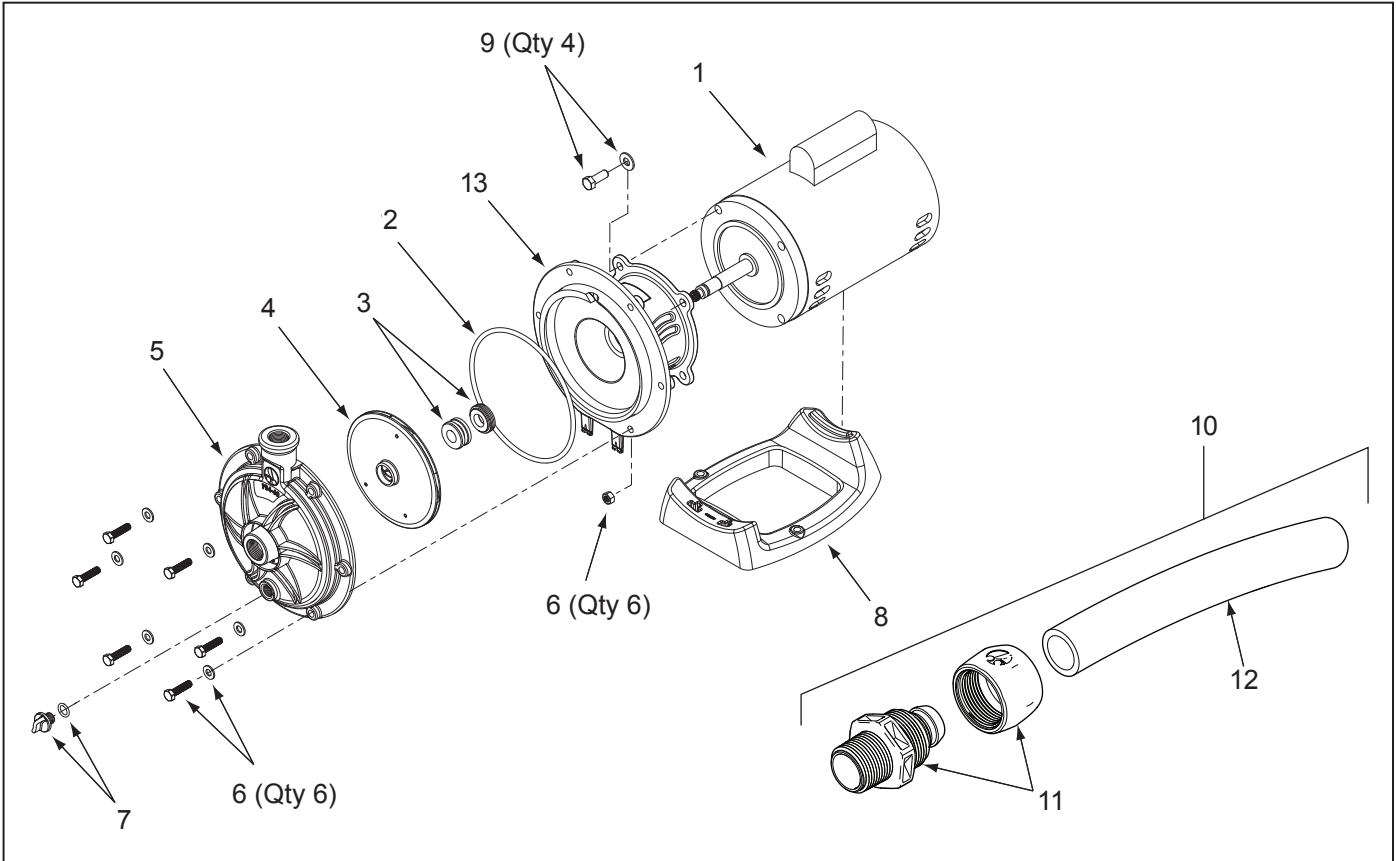


Figure 11. Polaris PB4-60 Booster Pump Exploded View

6.3 Pump Dimensions

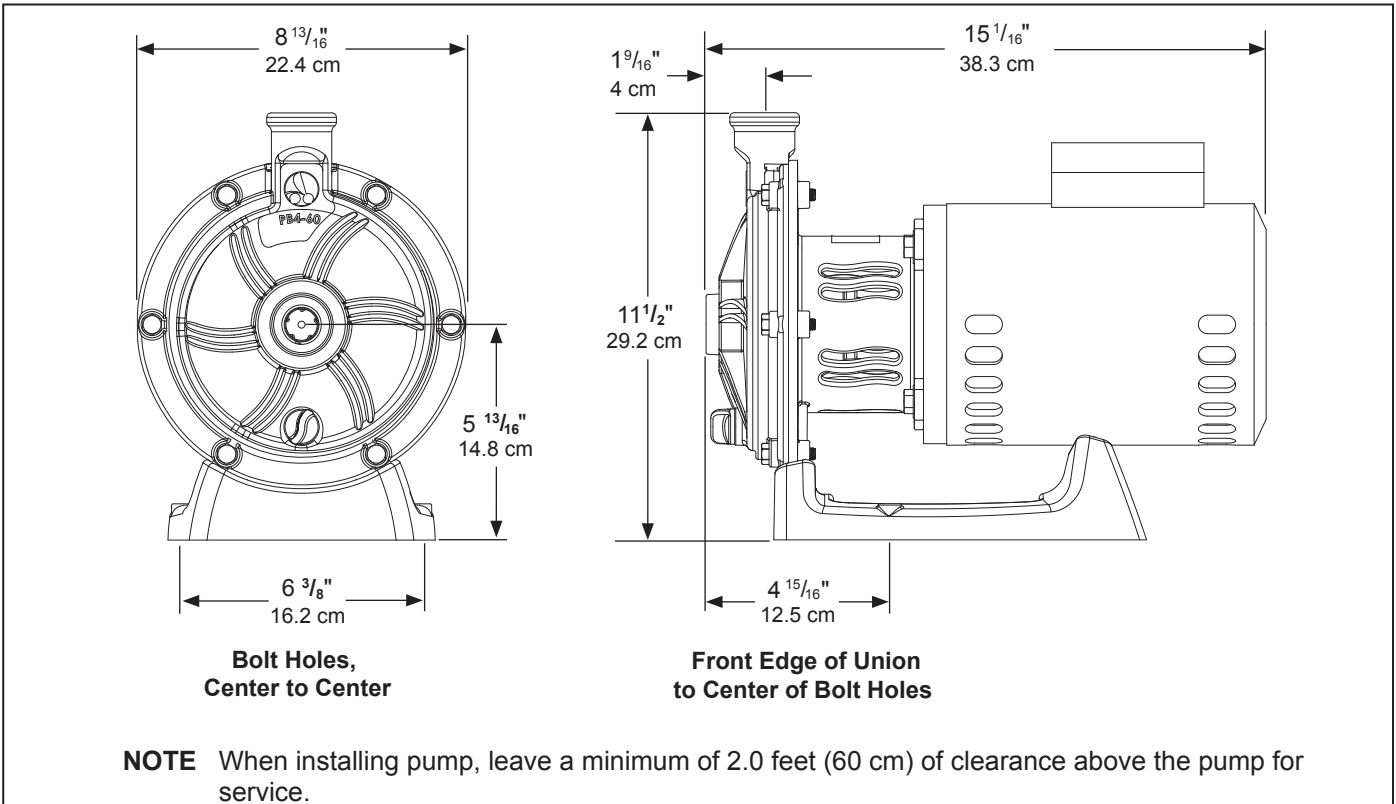


Figure 12. Polaris PB4-60 Booster Pump Dimensions

NOTES

NOTES

NOTES

Zodiac Pool Systems, Inc.

2620 Commerce Way, Vista, CA 92081

1.800.822.7933 | www.ZodiacPoolSystems.com

©2017 Zodiac Pool Systems, Inc. ZODIAC® is a registered trademark of Zodiac International, S.A.S.U., used under license. Polaris® and the Polaris 3-wheeled cleaner design are registered trademarks of Zodiac Pool Systems, Inc. All trademarks referenced herein are the property of their respective owners.

H0399500 REV E





Polaris®

PB4-60

ESPAÑOL

Bomba reforzadora del limpiador a presión

Manual de instalación y funcionamiento



Para bombas reforzadoras Polaris PB4-60 con números de serie que comienzan con "PB" y con fecha de fabricación a partir del 1º de diciembre de 2011.

⚠ ADVERTENCIA

PARA SU SEGURIDAD - Este producto debe ser instalado y mantenido por un contratista con licencia y calificaciones para equipos para piscinas otorgadas por la jurisdicción donde se instalará el producto en caso de que existan tales requisitos estatales o locales. En caso de que no existan tales requisitos estatales o locales, la persona que realiza el mantenimiento debe ser un profesional con experiencia suficiente en la instalación y mantenimiento de equipos para piscinas de tal forma que pueda seguir al pie de la letra las instrucciones de este manual. La instalación o el funcionamiento inadecuados pueden crear riesgos eléctricos peligrosos, que pueden causar altas tensiones a través del sistema eléctrico. Antes de instalar este producto, lea y siga todas las instrucciones y preste atención a las advertencias en el manual adjunto. No prestar la debida atención a las advertencias e instrucciones puede ocasionar daños a la propiedad, lesiones personales e incluso la muerte. La instalación y la operación incorrectas será causa de anulación de la garantía.

En caso de no seguir las instrucciones al pie de la letra, se puede producir un incendio o una explosión que puede causar daños a la propiedad, lesiones personales o incluso la muerte.



ATENCIÓN INSTALADOR: Este manual contiene información importante acerca de la instalación, el funcionamiento y la utilización seguros de este producto. Esta información debe ser entregada al dueño u operador de este equipo.

Índice

Sección 1. IMPORTANTES INSTRUCCIONES DE SEGURIDAD 19

- 1.1 Instrucciones de seguridad 19
- 1.2 Pautas de prevención de atrapamiento por succión de la bomba de la piscina 21

Sección 2. Descripción General 22

- 2.1 Introducción 22
- 2.2 Descripción 22
- 2.3 Preparación 22

Sección 3. Instalación 22

- 3.1 Instalación eléctrica 22
 - 3.1.1 Chequeos de voltaje 22
 - 3.1.2 Interconectar cables y conectar a tierra 22
- 3.2 Eléctrico 22
 - 3.2.1 Cableado eléctrico 22
- 3.3 Plomería 23
 - 3.3.1 Requisitos 23
 - 3.3.2 Dimensiones de la tubería 24
 - 3.3.3 Ubicación de la bomba 24
 - 3.3.4 Instalación de la bomba 24
 - 3.3.5 Recomendaciones de instalación 25
 - 3.3.6 Revisar el flujo de agua 25
 - 3.3.7 Realizar prueba de presión 25

Sección 4. Operación 26

- 4.1 Puesta en marcha 26

Sección 5. Mantenimiento 26

- 5.1 Preparación de la bomba para el invierno 26

Sección 6. Especificaciones del producto y datos técnicos 27

- 6.1 Lista de piezas de repuesto 27
- 6.3 Dimensiones de la bomba 28
- 6.2 Plano de despiece de la bomba reforzadora Polaris PB4-60 28

**EQUIPMENT INFORMATION RECORD
(REGISTRO DE INFORMACIÓN DEL EQUIPO)**

DATE OF INSTALLATION _____
(FECHA DE INSTALACIÓN)

INSTALLER INFORMATION _____
(Información del instalador)

INITIAL PRESSURE GAUGE READING (WITH CLEAN FILTER) _____
(LECTURA INICIAL DEL MEDIDOR DE PRESIÓN (CON EL FILTRO LIMPIO))

PUMP MODEL _____
(MODELO DE BOMBA)

HORSEPOWER _____
(CABALLO DE FUERZA)

NOTES: _____
(NOTAS:)

Sección 1. IMPORTANTES INSTRUCCIONES DE SEGURIDAD

LEA Y SIGA ESTAS INSTRUCCIONES

1.1 Instrucciones de seguridad

Todo el trabajo de electricidad deberá realizarlo un electricista certificado de conformidad con todos los códigos nacionales, estatales y regionales. Cuando se instale y utilice este equipo eléctrico, siempre se deberán seguir las siguientes precauciones básicas de seguridad:

ADVERTENCIA

Para reducir el riesgo de lesión, no permita que los niños usen este artefacto.

ADVERTENCIA

Para reducir el riesgo de daños materiales o lesiones, no intente cambiar la posición de la válvula de retro lavado (multipuerto, deslizamiento o flujo completo) con la bomba en funcionamiento.

ADVERTENCIA

Las bombas Polaris son accionadas por un motor eléctrico de alta tensión y deben ser instaladas por un electricista con licencia (o certificado) o por un técnico que esté calificado en servicio de piscinas.

ADVERTENCIA

RIESGO DE DESCARGA ELÉCTRICA, DE INCENDIO, LESIONES PERSONALES O DE MUERTE. Conectar solamente a una rama del circuito que esté protegida por un interruptor de circuito por falla a tierra (GFCI). Contacte a un electricista autorizado si usted no puede asegurarse de que el circuito esté protegido por un GFCI. Asegúrese de que el instalador proporcione un GFCI y que sea probado de manera rutinaria. Para probar el GFCI, presione el botón de prueba. El GFCI debe interrumpir la energía. Presione el botón de reinicio. Se debe restablecer la energía. Si el GFCI no funciona de esta forma, quiere decir que está defectuoso. Si el GFCI interrumpe la energía a la bomba sin presionar el botón de prueba, quiere decir que fluye corriente de tierra, lo que indica la posibilidad de una descarga eléctrica. No utilice la bomba. Desconéctela y solicite a un representante de servicio calificado que solucione el problema antes de utilizarla.

Debido al riesgo potencial de incendio, choque eléctrico o lesiones a las personas, las bombas Zodiac se deben instalar de acuerdo con el Código Eléctrico Nacional (NEC®) de EE. UU., todos los códigos locales eléctricos y de seguridad, y la Ley de Seguridad y Salud Ocupacionales (OSHA®). Las copias del NEC pueden solicitarse a la National Fire Protection Association® (NFPA®) en el sitio web www.nfpa.org o llamando al 617-770-3000 o comunicándose con el organismo de inspecciones gubernamentales de su localidad.

ADVERTENCIA

Los equipos instalados incorrectamente pueden fallar y causar lesiones graves o daños materiales.

ADVERTENCIA

- No conecte el sistema a una red de agua no regulada de la ciudad, o a otra fuente externa de agua presurizada que produzca presiones mayores a 35 psi.
- Arrancar la bomba cuando hay aire comprimido en el sistema puede hacer que la tapa del filtro salga expulsada, lo que puede causar serias lesiones e incluso la muerte o daños a la propiedad. Antes de operar asegúrese de que todo el aire del sistema haya salido.

ADVERTENCIA

Para minimizar el riesgo de muerte o graves lesiones, el filtro y/o la bomba no deben someterse a la prueba de presurización del sistema de tuberías.

Las normas locales pueden requerir que el sistema de tuberías de la piscina sea sometido a una prueba de presión. Por lo general, estos requisitos no tienen la intención de aplicarse a equipos de la piscina, tales como filtros y bombas.

Los equipos de piscina Polaris se prueban por presión en la fábrica.

Sin embargo, si la ADVERTENCIA no se puede observar y las pruebas de presión del sistema de tuberías deben incluir el filtro y/o la bomba, ASEGÚRESE DE CUMPLIR CON LAS SIGUIENTES INSTRUCCIONES DE SEGURIDAD:

- Compruebe que todas las abrazaderas, pernos, tapas, anillos de bloqueo, y accesorios del sistema estén correctamente instalados y asegurados antes de la prueba.
- LIBERE TODO EL AIRE en el sistema antes de la prueba.
- La presión del agua para la prueba no debe exceder 35 PSI.
- La temperatura del agua para la prueba no debe exceder 38°C.
- Limite la prueba a 24 hours. Después de la prueba, verifique visualmente el sistema para asegurarse de que esté listo para funcionar.

Aviso: Estos parámetros sólo se aplican a los equipos Zodiac. Para equipos de otras marcas que no sean Zodiac, consulte al fabricante correspondiente.

ADVERTENCIA

Los derrames de productos químicos y los gases pueden debilitar los equipos de piscina. La corrosión puede producir fallas en los filtros y otros equipos, lo que podría resultar en lesiones graves o daños materiales. No almacene productos químicos para piscinas cerca de sus equipos.

PRECAUCIÓN

¡No arranque la bomba en seco! El funcionamiento de la bomba en seco puede causar daños graves e invalidará la garantía.

PRECAUCIÓN

Esta bomba es para uso en piscinas instaladas permanentemente y también se puede utilizar en tinas de hidromasaje y spas, si estuviera indicado en la documentación. No utilice en piscinas portátiles. La piscina permanente está construida dentro o sobre el suelo o en un edificio, de tal manera que no se puede desmontar fácilmente para su almacenamiento. La piscina portátil está construida de manera que puede ser fácilmente desmontada para su almacenamiento y volver a montarse en su estado original.

PRECAUCIÓN

No la instale dentro de una protección al aire libre ni debajo de la falda de una tina de hidromasaje o un spa portátil. La bomba requiere una ventilación adecuada para mantener la temperatura del aire por debajo del rango de temperatura ambiente máxima que aparece en la placa del motor.

GUARDE ESTAS INSTRUCCIONES

1.2 Pautas de prevención de atrapamiento por succión de la bomba de la piscina

⚠ ADVERTENCIA

La succión de la bomba es peligrosa y puede atrapar, ahogar y desentrañar a los bañistas. No utilizar ni operar las piscinas, los spas ni las tinas de hidromasaje si una tapa de la boca de succión está ausente, rota o suelta. Las siguientes indicaciones proporcionan información para la instalación de la bomba minimizando el riesgo de lesiones para los usuarios de piscinas, spas y tinas de hidromasaje:

Protección contra atrapamiento - El sistema de succión de la bomba debe proporcionar protección contra los peligros de atrapamiento por succión.

Tapas de las bocas de succión - Todas las bocas de succión deben tener tapas instaladas correctamente y atornilladas en su lugar. Debe hacerse mantenimiento a todas las tapas de las bocas de succión. Las tapas de drenaje deben cumplir con la última edición de la norma ANSI®/ASME® A112.19.8 o su estándar sucesor, ANSI/APSP-16. Deben reemplazarse si están agrietadas, rotas o ausentes.

Número de las bocas de succión por bomba – Deben proporcionarse al menos dos (2) drenajes principales hidráulicamente equilibrados, con sus tapas, como bocas de succión para cada línea de succión de la bomba de circulación. Los centros de los drenajes principales (bocas de succión) en una (1) línea de succión deben estar separados por lo menos tres (3) metros de distancia, de centro a centro. Véase Figura 1.

El sistema debe estar construido para incluir al menos dos (2) bocas de succión (drenajes) conectadas a la bomba siempre que la bomba esté funcionando. Sin embargo, si dos (2) colectores principales llegan a una sola línea de succión, esta línea de succión individual puede ser equipada con una válvula que cerrará los dos drenajes principales de la bomba. El sistema deberá ser construido de tal manera que no permita el cierre por separado o independiente (aislamiento) de cada uno de los drenajes. Véase Figura 1.

Se puede conectar más de una (1) bomba a una línea de succión única, siempre y cuando se cumplan los requisitos.

Velocidad del agua - La velocidad máxima del agua a través del accesorio de succión o la cubierta de cualquier boca de succión debe ser de 1.5 metros por segundo, a menos que la boca se ajuste a la última edición de la norma ANSI / ASME A112.19.8 o su estándar sucesor, ANSI/APSP-16, la norma concerniente a accesorios de succión para el uso en piscinas de natación, piscinas de chapoteo, jacuzzis, spas y tinas de hidromasaje. En cualquier caso, no exceda la velocidad máxima de flujo del accesorio de succión.

Si el 100% del caudal de la bomba viene del sistema de drenaje principal, la velocidad máxima del agua en el sistema hidráulico de succión de la bomba debe ser de seis (6) metros por segundo o menos, incluso si uno (1) de los drenajes principales (boca de succión) está completamente bloqueado. El flujo a través de los drenajes principales restantes debe cumplir con la última edición de la norma ANSI/ASME A112.19.8 o su estándar sucesor, ANSI/APSP-16, la norma concerniente a accesorios de succión para el uso en piscinas de natación, piscinas de chapoteo, jacuzzis, spas y tinas de hidromasaje.

Pruebas y certificación – Las tapas de la boca de succión deben haber sido probadas por un laboratorio de pruebas reconocido a nivel nacional y cumplir con la última edición de la norma ANSI/ASME A112.19.8 o su estándar sucesor, ANSI/APSP-16, la norma concerniente a accesorios de succión para el uso en piscinas de natación, piscinas de chapoteo, jacuzzis, spas y tinas de hidromasaje.

Accesorios – Accesorios de restricción de flujo; para la mejor eficiencia posible utilizar la menor cantidad de accesorios (pero por lo menos dos (2) bocas de succión).

Evite accesorios que pudieran atrapar aire.

Las conexiones y accesorios de limpieza por succión deben ajustarse a las normas aplicables de la Association of Plumbing and Mechanical Officials (IAPMO®).

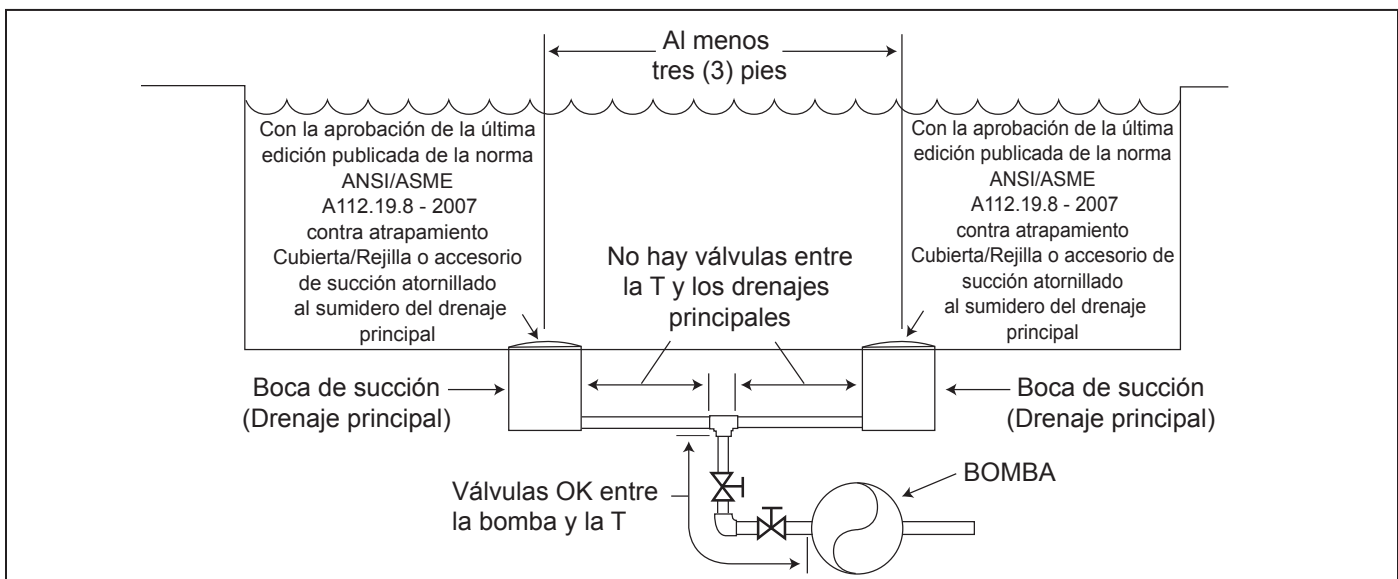


Figura 1. Número de bocas de succión por bomba

Sección 2. Descripción General

2.1 Introducción

Este manual contiene información para la instalación, el funcionamiento y el mantenimiento adecuados de la bomba Polaris PB4-60. Los procedimientos indicados en este manual se deben seguir con exactitud. Para obtener copias adicionales de este manual, póngase en contacto con Zodiac Pool Systems, Inc. ("Zodiac") al 800.822.7933. Para mayor información de direcciones, consulte la contraportada de este manual.

2.2 Descripción

La bomba reforzadora Polaris, PB4-60, suministra agua a alta presión al limpiador de piscinas Polaris para optimizar su eficiencia. La bomba no se ceba automáticamente y sólo debe utilizarse cuando esté activada la bomba de filtrado de la piscina.

PRECAUCIÓN

Si la bomba reforzadora no se utiliza con una bomba de filtrado, la bomba reforzadora resultará dañada. La operación incorrecta de la bomba reforzadora anulará la garantía.

2.3 Preparación

- Tras la recepción de la bomba, revise si la caja presenta daños. Abra la caja y revise si la bomba presenta daños ocultos, tales como grietas, abolladuras o la base doblada. Si encuentra algún daño, póngase en contacto con el proveedor de la bomba.
- Inspeccione el contenido de la caja y verifique que estén todas las piezas. Consulte la sección 7.1, Lista de piezas de repuesto.

Sección 3. Instalación

3.1 Instalación eléctrica

3.1.1 Chequeos de voltaje

El voltaje correcto, como se especifica en la placa de la bomba, es necesario para un rendimiento adecuado y una larga vida del motor. Un voltaje incorrecto disminuirá el desempeño de la bomba y podría causar sobrecalentamiento, reduciendo la vida útil del motor y resultando en cuentas eléctricas más altas.

Es responsabilidad del instalador eléctrico proporcionar el voltaje de funcionamiento indicado en los datos de la placa la bomba, garantizando los tamaños adecuados de circuito y de cable para esta aplicación específica.

El Código Eléctrico Nacional (NEC®, NFPA-70®) de EE. UU. requiere que todos los circuitos de bomba de la piscina estan protegidos con un interruptor del circuito de fallos de conexión a tierra. Por lo tanto, también es responsabilidad del instalador eléctrico asegurarse de que el circuito de la bomba esté en el cumplimiento de éste y todos los demás requisitos aplicables del Código Eléctrico Nacional (NEC) y otros códigos aplicables a la instalación.

PRECAUCIÓN

No proporcionar el voltaje indicado en placa (dentro de un 10%) durante la operación causará que el motor se sobrecaliente y anulará la garantía.

3.1.2 Interconectar cables y conectar a tierra

- La carcasa del motor debe estar conectada a tierra mediante una conexión a tierra fiable con un conductor de cobre sólido, N° 8 AWG (8.4 mm²) o uno más grande. En Canadá, debe utilizarse N° 6 AWG (13.3 mm²) o mayor. Si la bomba está instalada a no más de cinco (5) pies (1.5 metros) de las paredes interiores de la piscina, el spa o la tina de hidromasaje, la carcasa del motor debe estar interconectada con todas las partes metálicas de la estructura de la piscina, el spa o la tina de hidromasaje y con todas las tuberías de los equipos eléctricos, conductos de metal y tubos de metal a no más de cinco (5) pies (1.5 metros) de las paredes interiores de la piscina, el spa o la tina de hidromasaje.
- Unir el motor utilizando el terminal de externo provisto.

ADVERTENCIA

Con el fin de evitar el riesgo de daños a la propiedad, lesiones personales graves y/o muerte, siempre desconecte la fuente de alimentación eléctrica antes de trabajar en un motor o cualquier componente conectado a él.

ADVERTENCIA

Con el fin de evitar el riesgo de daños a la propiedad, lesiones personales graves y/o muerte, asegúrese de que el interruptor de control o el reloj registrador estén instalados en un lugar accesible, de modo que en caso de una falla del equipo o de las tuberías, el equipo pueda ser fácilmente apagado. Este lugar debe ser un lugar distinto a donde se encuentra la bomba de la piscina, filtros y otros equipos.

PRECAUCIÓN

La bomba debe estar permanentemente conectada a un circuito eléctrico dedicado. Ningún otro equipo, luces, electrodomésticos, o tomas pueden estar conectados al circuito de la bomba, con la excepción de los productos que pueden ser necesarios para operar simultáneamente con la bomba, como un dispositivo de cloración o la calefacción.

3.2 Eléctrico

Potencia del motor

HP	S.F	RPM	VOLTS	S.F. AMPS
3/4	1.5	3450	230/115, 60Hz, 1PH	6.4/12.8

3.2.1 Cableado eléctrico

- El motor de la bomba debe ser puesto a tierra adecuadamente y de forma segura con el tornillo verde proporcionado. Complete el aterramiento antes de conectar al suministro de energía eléctrica. **No conecte a tierra en una tubería de suministro de gas.**
- El tamaño del cable debe ser adecuado para minimizar la caída de tensión durante el arranque y funcionamiento de la bomba. Vea la Tabla 1 para conocer los tamaños de cable sugeridos.
- Aísle todas las conexiones con cuidado para evitar cable a tierra o cortocircuitos. Los bordes afilados en los terminales requieren una protección extra. Para evitar que las tuercas

Tabla 1. Tamaño máximo del cable y protección contra sobrecorriente

TAMAÑO MÁXIMO DEL CABLE Y MÁXIMA PROTECCIÓN CONTRA SOBRECORRIENTE*								
Distancia desde el sub-tablero		De 0 a 50 pies (15 metros)			De 50 a 100 pies (de 15 a 30 metros)		De 100 a 200 pies (de 30 a 60 metros)	
Modelo de bomba	Clase de amperaje del fusible secundario: CC, G, H, J, K, RK o T		Voltaje		Voltaje		Voltaje	
	230 VAC	115 VCA	208-230 VAC	115 VCA	208-230 VAC	115 VCA	208-230 VAC	115 VCA
PB4-60	15A	20A	14 AWG (2,1mm ²)	12 AWG (3,3mm ²)	12 AWG (3,3mm ²)	10 AWG (5,3mm ²)	10 AWG (5,3mm ²)	10 AWG (5,3mm ²)

*Asume tres (3) cables de cobre en un conducto enterrado y un máximo de 3% de pérdida de voltaje por rama del circuito. Deben seguirse todos los códigos eléctricos locales y los de la National Electrical Code (NEC®) de EE. UU. La tabla muestra el tamaño de cable mínimo y recomendaciones de fusibles secundarios para una instalación típica según el NEC.

de los cables se aflojen, séllelas con una cinta aisladora eléctrica adecuada que tenga una marca de aprobación reconocida (UL®, ETL®, CSA®). Por razones de seguridad, y para evitar la entrada de contaminantes, reinstale todos los conductos y tapas de la caja de terminales. **No fuerce las conexiones en la caja de conexiones.**

- Para configurar el cableado interno del motor de la bomba en el voltaje correcto, consulte el diagrama que se encuentra en la placa de datos del motor.
- La corriente inicial del motor de la bomba reforzadora puede superar los 15 amp si se trabaja con una línea de voltaje de 115 VCA. Se recomienda utilizar un disyuntor de servicio de 20 amp para la bomba conectada a 115 VCA.
- El motor de la bomba reforzadora está cableado en fábrica para 230 voltios, pero puede cablearse para 115 o 230 voltios. Para realizar un nuevo cableado para 115 voltios, siga las instrucciones que se encuentran en la placa de identificación ubicada en la parte trasera del motor o en la placa de tamaños al lado del motor.
- Se recomienda el uso de un reloj registrador independiente (además del reloj registrador del sistema de filtrado) para controlar las funciones de encendido/apagado de la bomba reforzadora. También puede utilizarse un interruptor manual.
- Si se utiliza un reloj registrador, configúrelo para que encienda la bomba por lo menos media hora después de encender la bomba de filtrado de la piscina y para que apague la bomba por lo menos media hora antes de que se apague la bomba de filtrado. Revise periódicamente las configuraciones del reloj registrador para asegurarse de que estén sincronizadas correctamente.

3.3 Plomería

⚠ PRECAUCIÓN

Tenga cuidado de no apretar demasiado ningún accesorio de los tubos ya sea en la entrada o la salida de la bomba reforzadora. Un apriete excesivo podría hacer que la carcasa resultara agrietada.

3.3.1 Requisitos

La bomba reforzadora Polaris necesita una línea de retorno dedicada. Conecte la bomba reforzadora al sistema de manera tal que siempre reciba el flujo de la bomba de filtrado.

Para garantizar el funcionamiento correcto de la bomba y el limpiador, consulte la Figura 2 y observe las siguientes pautas para equipos específicos.

- Conecte la línea dedicada en sentido ascendente de todo el equipo con inducción de aire.
- Si hay un calentador instalado en el sistema, conecte la entrada de la bomba reforzadora en la línea de retorno en sentido descendente y por lo menos a tres (3) pies (1 metro) de la descarga del calentador. Véase Figura 2. No conecte la entrada de la bomba reforzadora en la sección de tres pies (1 metro) del tubo del disipador térmico que sale directamente del calentador.
- Algunos sistemas de calentamiento solar utilizan todo el flujo de agua cuando purgan el aire de los paneles. Si la bomba está instalada en una tubería sin flujo durante las purgas del panel solar, instale un mecanismo de desviación automática para apagar la bomba.
- Conecte la entrada de la bomba reforzadora en una ubicación más alta, en sentido ascendente y lo más lejos posible del clorador.

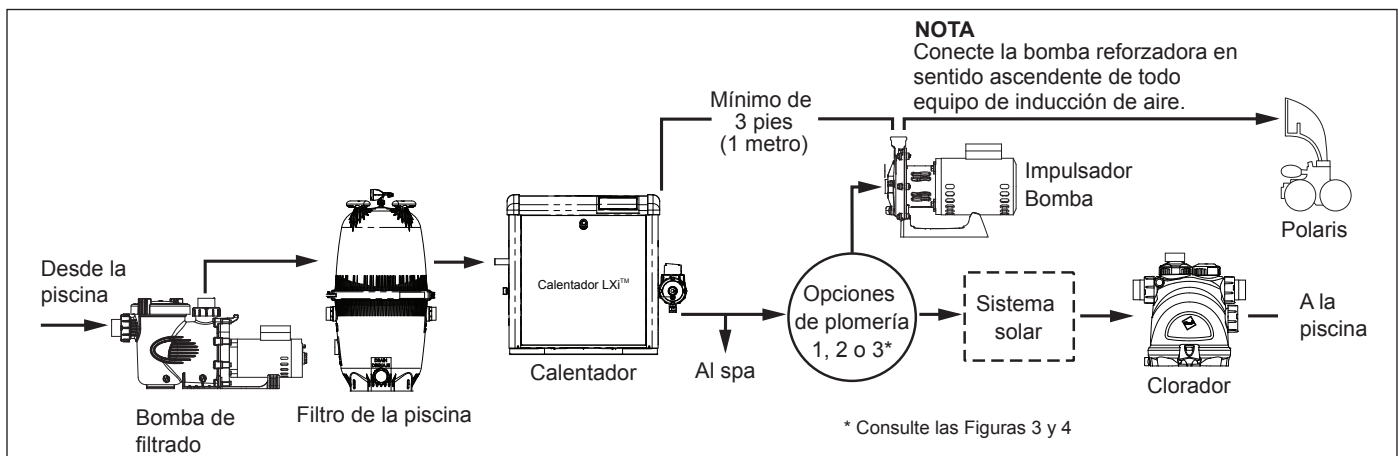


Figura 2. Disposición típica del equipo

3.3.2 Dimensiones de la tubería

- Se recomienda el uso de tubos de PVC rígidos que tengan un diámetro mínimo de 3/4 pulg., 1-1/2 pulg. para la línea de retorno dedicada. Los tubos de PVC flexibles no se recomiendan para la línea de retorno dedicada subterránea de la piscina, ya que pueden dañarse por la expansión y los movimientos causados por el aumento de presión de la bomba. Consulte las Figuras 3 y 4.

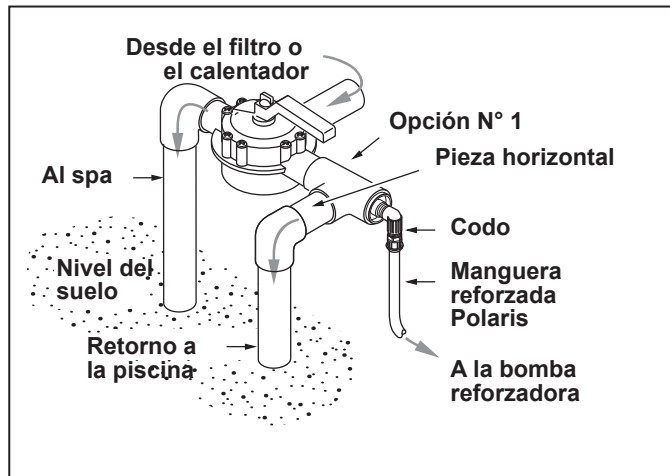


Figura 3. Configuración de plomería preferible

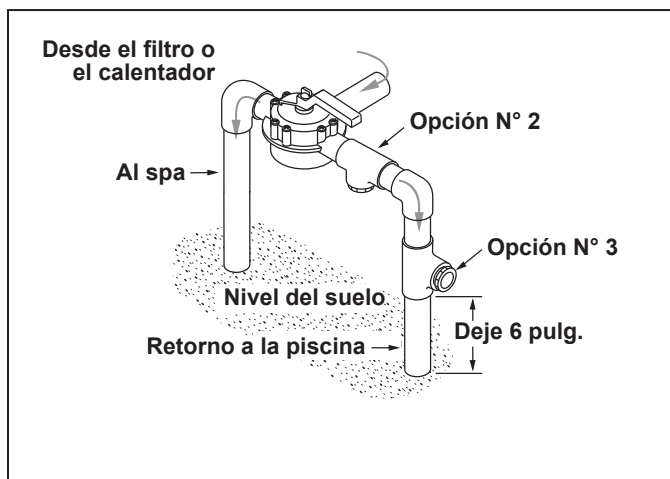


Figura 4. Configuración de plomería alternativa

- La línea de conexión de entrada de la bomba reforzadora debe ser de al menos 3/4 pulg. **La Softube Quick Connect accesorios fueron diseñada para funcionar con la manguera reforzada Polaris (pieza n.º P19) únicamente.**
- No la conecte en la parte superior de una línea horizontal.
- Utilice codos de 90° para minimizar las curvas y los bucles de la manguera reforzada Polaris.

3.3.3 Ubicación de la bomba

- Zodiac Pool Systems, Inc. recomienda la instalación de la bomba a no más de 1 pie (30 cm) por encima del nivel del agua. La bomba no debe elevarse a más de un metro por encima del nivel del agua de la piscina.
- Si la bomba se ubica por debajo del nivel del agua, deben instalarse válvulas de aislamiento tanto en la línea de succión como en la de retorno para evitar el reflujo del agua de la piscina durante cualquier servicio de rutina o necesario.

⚠ ADVERTENCIA

Algunos sistemas de liberación de vacío de seguridad (SVRS) no son compatibles con la instalación de válvulas de antirretorno. Si la piscina tiene un dispositivo de SVRS, asegúrese de confirmar que seguirá operando de manera segura cuando se instalen las válvulas de antirretorno.

- La bomba y los otros equipos de circulación deben estar ubicados a más de cinco (5) pies (1.5 metros) del agua. Elija un lugar que reduzca al mínimo las curvas en la tubería.
- NOTA** En Canadá, la bomba debe estar ubicada a un mínimo de 3 metros [aproximadamente 10 pies] del agua (CSA C22.1).
- La bomba debe ser colocada sobre una base sólida que no vaya a vibrar. Para reducir aún más la posibilidad de ruido por vibración, fije con pernos la bomba a la base.
- NOTA** Zodiac® recomienda utilizar pernos para fijar la bomba directamente a la base.
- La base de la bomba debe tener un drenaje adecuado para evitar que el motor se moje. La bomba debe estar protegida de la lluvia y el sol.
 - Es necesaria una ventilación adecuada para que la bomba funcione con normalidad. Todos los motores generan calor que debe ser retirado por mediante una ventilación adecuada.
 - Proporcione acceso para poder realizar el servicio de mantenimiento o reparaciones, dejando un espacio suficiente alrededor de la bomba. Deje bastante espacio encima de la bomba para el servicio de mantenimiento y reparación.
 - Si el equipo está cubierto, proporcione iluminación adecuada.

3.3.4 Instalación de la bomba

- Instale la bomba utilizando dos (2) anclajes de expansión para hormigón con el objetivo de garantizar la estabilidad.
- Aplique cuatro (4) a seis (6) capas de cinta de Teflon® a la rosca cónica del conector de lengüeta. Véase la figura 5 (a).

⚠ PRECAUCIÓN

JAMÁS debe usarse compuesto de tuberías en las roscas de lengüetas. El compuesto de tuberías debilitará gravemente el plástico, causando fugas, y puede ocasionar la fractura del plástico. **NO APRIETE DEMASIADO.**

- Enrosque y ajuste la rosca cónica del conector lengüeta en el puerto de la bomba, ubicado en el cuerpo de la bomba. Véase la figura 5 (b).
- Recorte la manguera reforzada a la longitud requerida. Asegúrese de que el corte sea limpio y perpendicular. Evite los bucles o dobleces innecesarios en la manguera.
- Deslice la tuerca del conector sobre el extremo recortado de la manguera con el extremo con rosca mirando hacia la punta recortada de la manguera. Véase la figura 5 (c).

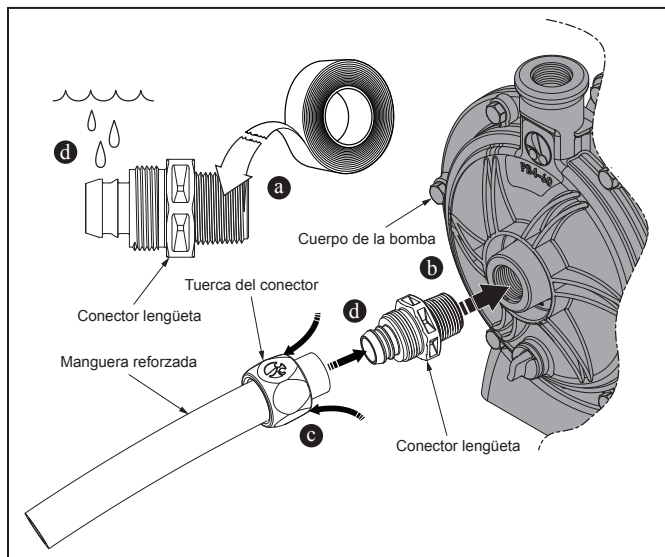


Figure 5. Preparación e instalar Quick Connect lengüeta del conector y tuerca del conector

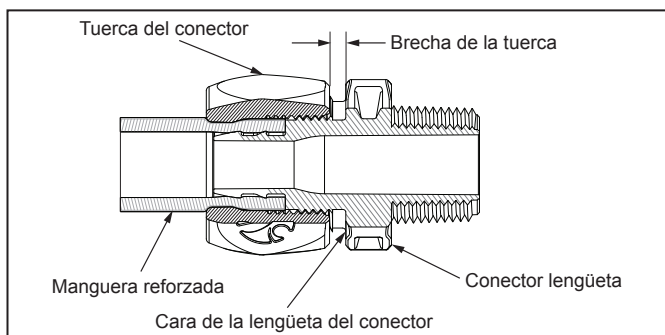


Figure 6. Apriete la tuerca del conector para asegurar la manguera

6. Aplique agua a la lengüeta del conector para ayudar a deslizar la manguera sobre las lengüetas. Empuje el borde recortado de la manguera hasta que cubra por completo la lengüeta del conector. Véase la figura 5 (d).
7. Deslice/rote la tuerca del conector hasta la lengüeta para acoplar las roscas correctamente; no estropee la rosca de la tuerca del conector. Ajuste la tuerca del conector hasta que ya no se vean las roscas (un espacio de alrededor de 1/8" o apenas menos del ancho de dos monedas de diez centavos) o hasta que toque la cara de la lengüeta. Véase la figura 6.

3.3.5 Recomendaciones de instalación

1. Si la bomba se ubica por debajo del nivel del agua, deben instalarse válvulas de aislamiento en ambos lados de la bomba para evitar el reflujos del agua de la piscina durante cualquier servicio de rutina o necesario.
2. Para ayudar a prevenir problemas en el cebado, se debe instalar la tubería de succión sin puntos elevados (por encima de la entrada de la bomba - "U" invertida en plomería) que puedan atrapar el aire.
3. La tubería debe estar bien apoyada y colocada en un lugar donde no quede expuesta a un estrés constante.
4. Siempre use válvulas del tamaño correcto. Las válvulas de desviación Jandy® Pro Series y las válvulas de bola típicamente tienen las mejores capacidades de flujo.
5. Use la menor cantidad de conexiones o accesorios posibles. Todo accesorio o conexión adicional tiene el efecto de alejar más el equipo del agua.

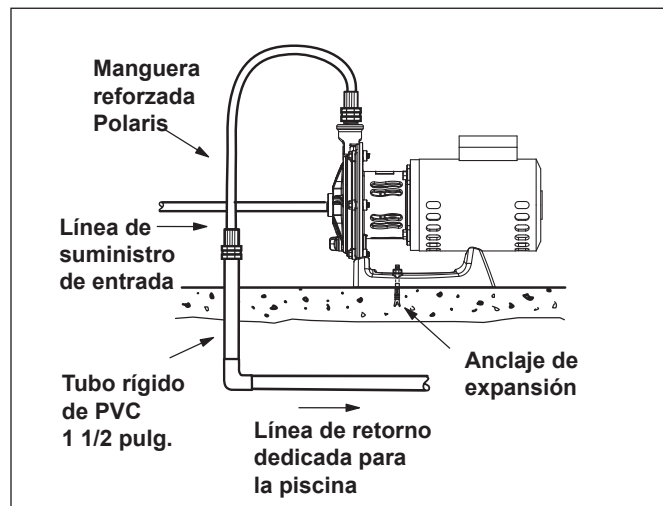


Figure 7. Complete la instalación

NOTA Si son necesarios más de 10 accesorios de succión, el tamaño de la tubería debe aumentarse.

3.3.6 Revisar el flujo de agua

NOTE Esta bomba debe tener una presión de salida mínima de 45 psi. Una presión menor puede causar una condición de sobrecorriente del motor.

Después de instalar la tubería del sistema, verifique el flujo de agua a la bomba reforzada desconectando la línea de suministro de entrada en la bomba reforzada y luego encendiendo la bomba de filtrado. El agua debería fluir desde la línea.

Si no hay flujo de agua, revise lo siguiente:

1. Verifique que la instalación sea correcta. Consulte la Figura 6.
2. Utilice accesorios de tipo globo ocular más pequeños en las líneas de retorno de la piscina o conecte una línea de retorno.

Una vez establecido el flujo, la bomba está lista para funcionar.

3.3.7 Realizar prueba de presión

⚠ ADVERTENCIA

Cuando se presuriza un sistema con agua para probarlo, a menudo queda aire atrapado en el sistema durante el proceso de llenado. Este aire se comprime cuando el sistema está bajo presión. En caso de fallo del sistema, el aire atrapado puede impulsar partículas a gran velocidad y causar lesiones. Se deben hacer todos los esfuerzos posibles para eliminar el aire atrapado durante el llenado de la bomba, incluida la apertura de la válvula de purga del filtro y el aflojamiento de la tapa de la canasta de la bomba.

⚠ ADVERTENCIA

El aire atrapado en el sistema puede hacer que salte la tapa del filtro, lo que puede causar lesiones graves e incluso la muerte o daño a la propiedad. Antes de operar la bomba, asegúrese de que todo el aire haya sido extraído correctamente del sistema. **NO USE AIRE COMPRIMIDO PARA HACER PRUEBAS DE PRESIÓN O COMPROBAR SI HAY FUGAS.**

⚠ ADVERTENCIA

Cuando se realice la prueba de presión del sistema con agua, es muy importante asegurarse de que la tapa de la canasta de la bomba de filtro esté completamente afianzada.

⚠ ADVERTENCIA

No pruebe con presiones mayores de 35 PSI. La prueba de presión debe ser realizada por un profesional de piscinas entrenado. Todo equipo de circulación que no se haya probado adecuadamente puede fallar, lo que podría provocar lesiones graves o daños materiales.

1. Llene el sistema con agua, teniendo cuidado de eliminar el aire atrapado.
2. Presurice el sistema con agua a no más de 35 PSI.
3. Cierre la válvula para atrapar agua presurizada en el sistema.
4. Observe el sistema para detectar fugas y/o caídas de presión.
5. Para obtener soporte técnico, contacto con el soporte técnico de Zodiac® al 800.822.7933.

Sección 4. Operación

4.1 Puesta en marcha

⚠ PRECAUCIÓN

Nunca opere la bomba reforzadora sin agua. Hacer funcionar la bomba "en seco" por cualquier cantidad de tiempo puede causar graves daños a la bomba y al motor y anulará la garantía.

⚠ PRECAUCIÓN

Nunca opere la bomba reforzadora sin haber conectado el limpiador ya que esto causará daños al impulsor de la bomba y anulará la garantía.

Si se trata de una piscina nueva, asegúrese de que toda la tubería esté libre de residuos de construcción y que haya sido debidamente probada a presión. El filtro debe ser revisado para verificar su correcta instalación, comprobando que todas las conexiones y abrazaderas estén aseguradas de acuerdo a las recomendaciones del fabricante.

⚠ ADVERTENCIA

Para evitar el riesgo de daños a la propiedad o lesiones personales verifique que la alimentación eléctrica esté apagada antes de iniciar este procedimiento.

1. Encienda la bomba de filtrado.
2. Abra la liberación de presión del filtro para aliviar la presión del sistema hasta que salga agua.
3. Si la bomba de filtrado se encuentra por debajo del nivel del agua de la piscina, abrir la válvula de liberación de presión del filtro cebará la bomba con agua.

4. Una vez que haya salido todo el aire del filtro, cierre la válvula de liberación de presión.
5. Energice la bomba reforzadora. Luego encienda la bomba reforzadora.
6. La bomba reforzadora debería cebarse. El tiempo que toma el cebado dependerá de la altura y la longitud de la tubería utilizada en el suministro de succión. Consulte la *sección 3.3.6* para conocer la elevación correcta y el tamaño del tubo.
7. Si la bomba reforzadora no se ceba y todas las instrucciones se han seguido hasta este punto, revise si hay una fuga de succión.

Sección 5. Mantenimiento

5.1 Preparación de la bomba para el invierno

⚠ PRECAUCIÓN

La bomba *debe* protegerse cuando se esperen temperaturas de congelación. Permitir que la bomba se congele causará daños graves y anulará la garantía.

⚠ PRECAUCIÓN

¡No use soluciones anticongelantes en los sistemas de piscina, spa, o jacuzzi! El anticongelante es altamente tóxico y puede dañar el sistema de circulación. La única excepción a esto es el propilenglicol. Para más información, consulte en su tienda proveedora de artículos de piscina/ spa o póngase en contacto con una empresa calificada de servicios de piscina.

1. Drene toda el agua de la bomba, el equipo del sistema y las tuberías.
2. Retire el tapón de drenaje. Almacene el tapón de drenaje en un lugar seguro y reinstálelo cuando la temporada de frío haya terminado. No pierda la junta tórica. (Tapón de drenaje con juego de junta tórica, R0537000).
3. Mantenga el motor cubierto y seco.

NOTA Cubrir la bomba con un plástico hará que se genere condensación, y esta humedad dañará la bomba. La mejor forma de proteger su bomba es solicitar a un técnico o electricista de servicio calificado que desconecte correctamente el cableado eléctrico en la caja terminal. Una vez que se quita la electricidad, pueden aflojarse los dos (2) accesorios de conexión rápida y la bomba puede almacenarse bajo techo. Por razones de seguridad, y para evitar la entrada de contaminantes, reinstale todos los conductos y tapas de la caja de terminales.

4. Cuando el sistema se vuelva a abrir para usarse, asegúrese de que todas las tuberías, válvulas, cableado y el equipo estén de acuerdo con las recomendaciones del fabricante. Preste mucha atención a las conexiones eléctricas y el filtro.
5. La bomba debe ser cebada antes de su arranque; Véase la *Sección 4.1, Arranque*.

Sección 6. Especificaciones del producto y datos técnicos

6.1 Lista de piezas de repuesto

Para ordenar o comprar piezas para las bombas Polaris®, contacte su distribuidor Zodiac más cercano. Si no pueden suministrarle lo que necesita, comuníquese con el soporte técnico de Zodiac al 800.822.7933 o visite www.zodiacpoolsystems.com.

Key No.	Description	Qty	Order Part No.	Comments
1	Motor de repuesto para la bomba	1	P61	
2	Junta tórica, placa de apoyo, PB4-60	1	R0536600	
3	Sello, cerámica y resorte	1	R0445500	
4	Impulsor, PB4-60	1	R0536400	
5	Voluta, PB4-60	1	R0536300	(Incluye tapón de drenaje con junta tórica)
6	Pernos con arandelas y tuercas	6	R0536900	
7	Tapón de drenaje con junta tórica, común	1	R0537000	
8	Base, reforzador, PB4-60	1	R0537100	
9	Pernos y arandelas, inoxidable, motor, PB4-60	4	R0536800	
10	Quick Connect juego para la instalación	1	R0617100	El kit incluye uno (1) 6' de largo de manguera reforzada, y 4 Quick Connect accesorios.
11	Quick Connect guarniciones	4	R0621000	Incluye cuatro (4) Quick Connect accesorios y instrucciones de instalación.
12	Manguera de la bomba de 6 pies Reforzada	1	P19	
13	Placa de apoyo PB4-60	1	R0536700	Incluye sello y tórica de la placa apoyo

6.2 Plano de despiece de la bomba reforzadora Polaris PB4-60

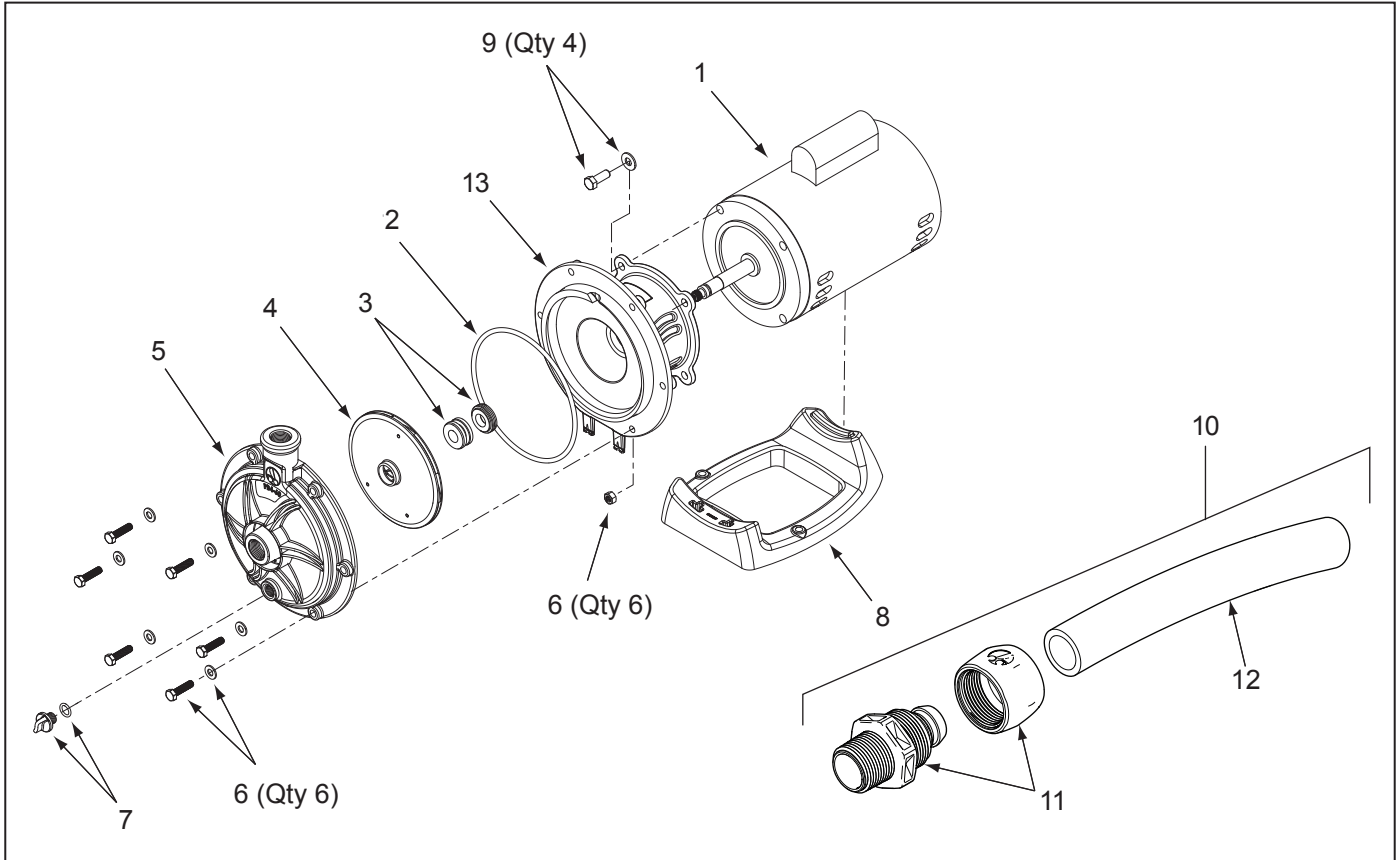


Figura 11. Plano de despiece de la bomba reforzadora Polaris PB4-60

6.3 Dimensiones de la bomba

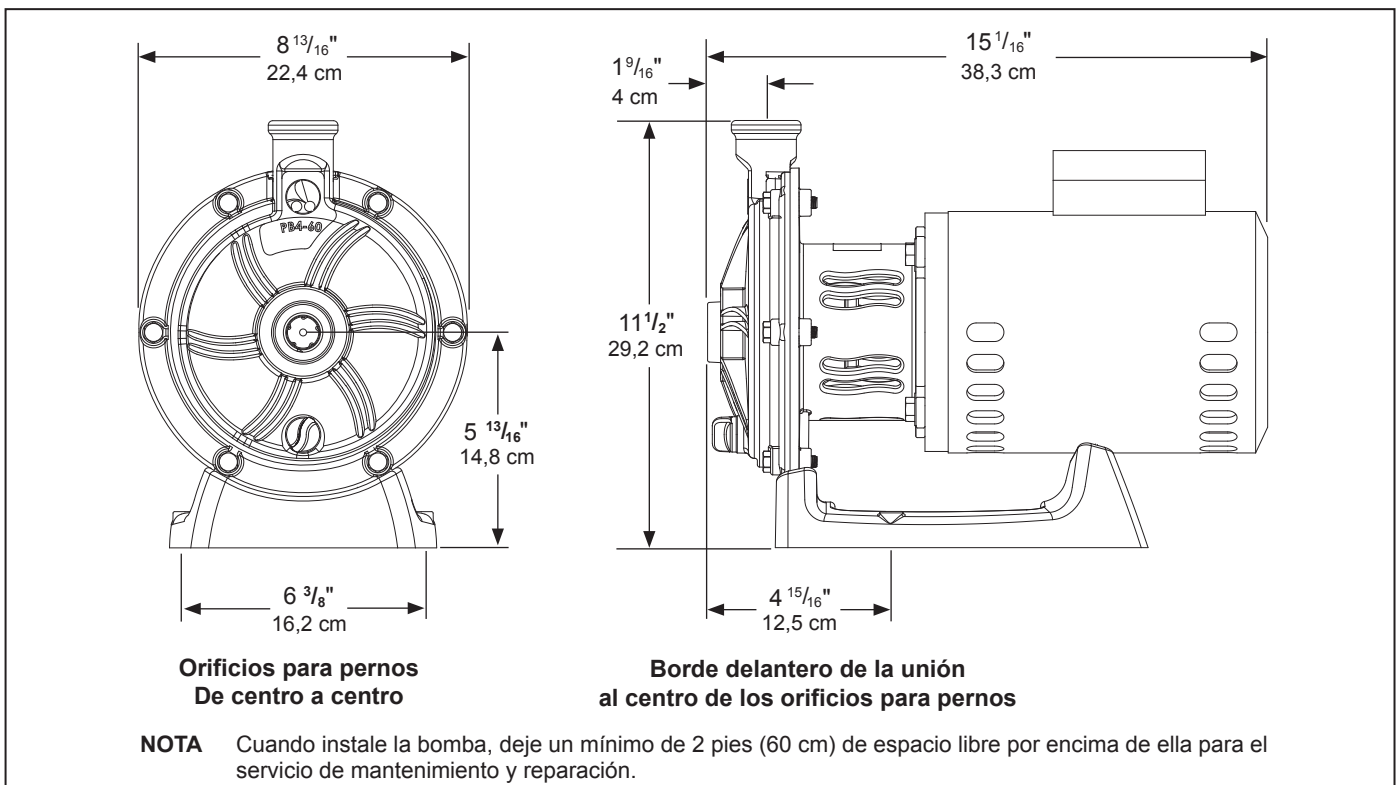


Figure 12. Dimensiones de la bomba Polaris reforzadora PB4-60

NOTAS

NOTAS

NOTAS

Zodiac Pool Systems, Inc.

2620 Commerce Way, Vista, CA 92081

1.800.822.7933 | www.ZodiacPoolSystems.com

©2017 Zodiac Pool Systems, Inc. ZODIAC® es una marca registrada de Zodiac International, S.A.S.U., utilizada bajo licencia. Polaris® y el diseño del limpiador de tres ruedas son marcas registradas de Zodiac Pool Systems Inc.

Todas las marcas comerciales a las que se hace referencia en el presente, son propiedad de sus respectivos dueños.

H0399500 REV. E

