



Nature²® CF

For Inground and Aboveground Pools with Cartridge Filters

Owner's Manual

EPA Reg. No. 67712-1
EPA Est. No. 091258-MEX-001

IMPORTANT

Pool Owner, save this manual! Builders, leave this manual with the pool owner!

Safety Instructions Important Information

Please read prior to installation

Nature² CF has been designed to sanitize swimming pools from 5,000 to 25,000 gallons.



WARNING

Failure to heed the following can result in permanent injury or drowning.

EQUIPMENT UNDER PRESSURE

- In order to minimize risk of property damage and/or serious injury, including loss of life, always turn pump off prior to installing or changing Nature² cartridge. Your pump/filter system is operated under pressure and the pressure must be released before you begin work. Please see your pump/filter owner's manual for further instructions.

PREVENT CHILD DROWNING

- Do not let anyone, especially small children, sit, step, lean or climb on any equipment installed as part of your pool's operational system. Locate the components of your operational system at least 3 feet from the pool so children cannot use the equipment to access the pool and be injured or drown.

LOW CHLORINE RECIPE

- You must strictly follow the low chlorine recipe included in this manual to maintain proper water chemistry and avoid health hazards. Failure to follow these instructions can lead to sickness from bacteria and other noxious organisms.



CAUTION

PRECAUTIONARY STATEMENT HAZARDS TO HUMANS AND DOMESTIC ANIMALS

CAUTION

In the unlikely event that a cartridge breaks, mineral media should not be ingested by humans or animals as it may cause gastric distress.

FIRST AID

IF INGESTED: Call poison control center or doctor immediately for treatment advice.

The Nature² Pool Sanitizer is designed only for residential swimming pools.

* The Nature² System consists of the Nature² technology † used in conjunction with a chlorine delivery device or 0.5 ppm of an EPA registered chlorine pool product.

† Nature² technology consists of the minerals silver and copper.

WE ASK YOU TO TAKE THE TIME TO GET FAMILIAR WITH THIS MANUAL.

Thank you for purchasing Nature²®. We believe the more you know, the more enjoyable your family's swimming experience will be – and the more you will reduce the time, effort and cost of maintaining your pool. Pool owners who switch from conventional chemical programs to the Nature² System* spend less time maintaining their pools. Every pool has its own characteristics of water type, amount of sunlight, etc. The recipe included in this manual will help insure good water quality for your pool. Remember, your Nature² dealer can provide advice and service.

CONTENTS

	PAGE
Safety Instructions	1
Assembly	3
Start Up	5
Balance the Water	6
Install the Cartridge	6
Recipe	7
Provide Filtration/Circulation.	7
Troubleshooting Guide	8
Nature ² Cartridge Replacement Intervals	10
Winterizing Your Pool.	10
Disposal	10
Limited Warranty	11

DIRECTIONS FOR USE:

It is a violation of Federal law to use this product in a manner inconsistent with its labeling.

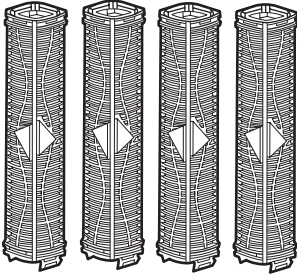
NATURE² COMPATIBILITY

Nature² Systems* can be used with all types of pool chemical treatments available **except biguanide products and copper based algaecides.**

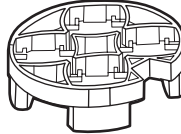
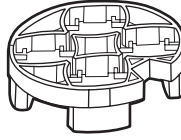
Important: When converting a biguanide treated pool to the Nature² low chlorine System*, the pool must be completely drained and refilled. Then follow the Nature² cartridge start-up procedure below.

Assembly

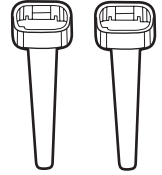
The Nature²® CF consists of four (4) sanitizer elements, two (2) end caps and two (2) end spikes.



Sanitizer Elements



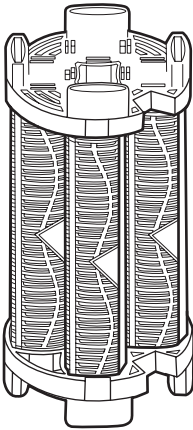
Endcaps



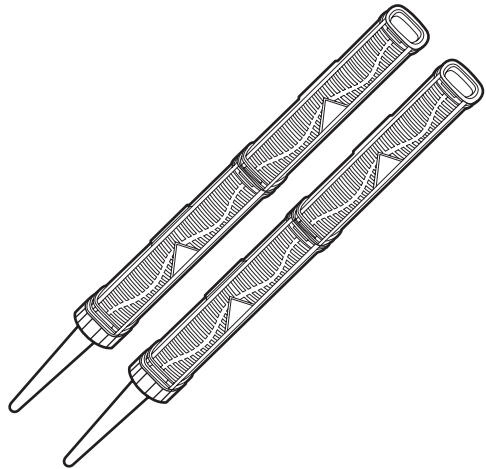
Spikes

Depending upon the size of your swimming pool cartridge filter, these parts can be assembled as a bundle of four (4) sanitizer elements, or as two (2) sticks of two (2) elements each.

NOTE: You should first attempt to use the bundle assembly.



Bundle Assembly



Stick Assembly

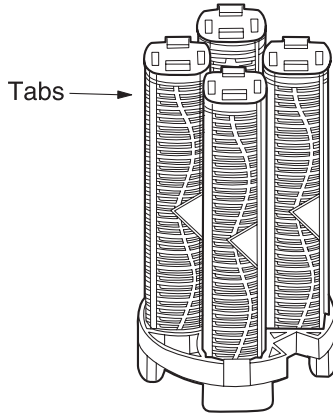
Decide which Nature² CF assembly is right for your pool filter.

1. Turn off the pump and disassemble the pool filter as you normally would to clean the cartridge.
2. Check to see if the endcap fits easily into the core of your cartridge filter;
 - if it **does**, go to Bundle Assembly
 - if it **does not**, go to Stick Assembly

Bundle Assembly

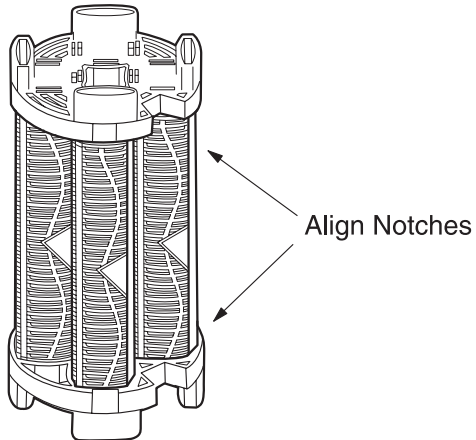
The hole in the center of the endcap accommodates a center rod should your filter have one.

1. Lay an end cap on a flat surface and snap the four (4) sanitizer elements into it, so that the tabs are pointing up.



2. Snap the other end cap on top.

Important: Be sure that the notch on each end cap lines up together to accommodate an air bleed tube.



Stick Assembly

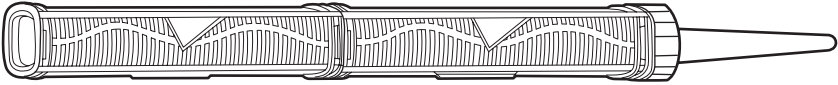
Important: Use only after attempting the Bundle Assembly.

1. Snap two (2) sanitizer elements together so that each tab and slot line up.



2. Snap the end spike to one end.

NOTE: Once assembled, do not attempt to separate the sanitizer elements as the tabs may break.



Start Up

- Before starting up a new Nature²® cartridge, clean debris and algae out of the pool and pool equipment.

Important: Do not install the new cartridge until the pool water is clean and chemically balanced.

- Balance pool water before installing Nature² cartridge.

- pH 7.4-7.8
- Calcium hardness 200-400 ppm
- Total alkalinity 80-150 ppm

Consult with your Nature² Dealer for specific water balance instructions.

Balance the Water

To find out if your pool water is balanced:

- take a water sample to your dealer to be tested regularly, or
- ask your dealer to recommend a pool test kit for water balance.

Element: pH
Range: 7.4-7.8

If it's too low: The surface of your pool can become etched. Metal parts in the pump and plumbing will corrode.
How to fix: Add pH increaser.

If it's too high: "Scale" forms on the surface of your pool. The water can become cloudy. Equipment can become damaged.
How to fix: Add pH decreaser.

Element: Calcium Hardness
Range: 200-400 ppm

If it's too low: Water is less stable. In plaster pools, the calcium is taken out of the plaster, causing the surface to deteriorate.
How to fix: Add calcium hardness increaser.

If it's too high: Rough, discolored deposits ("scale") will form on the pool surface and inside pool equipment.
How to fix: Drain or dilute the pool water. Consult your dealer.

Element: Total Alkalinity
Range: 80-150 ppm

If it's too low: It provides no buffer so that you constantly get fluctuating pH readings, which can damage equipment and pool surfaces.
How to fix: Use an alkalinity increaser.

If it's too high: White deposits ("scale") form on the tile line. The plaster on pool surface becomes rough or discolored.
How to fix: The water becomes cloudy or milky white. Add acid to bring alkalinity down.

Install the Cartridge

1. **Install the cartridge into your pool filter after water is balanced.**
2. **Superoxidize the pool** water with chlorine according to manufacturer's instructions to burn off contaminants and activate cartridge.

Important: Initial superoxidation with chlorine is required to burn off contaminants and activate cartridge.

3. **Run the circulating pump** either:
 - 24 hours a day for 4 days, maintaining 1-2 ppm free chlorine throughout, or
 - 6 hours a day for 14 days, maintaining 1-2 ppm free chlorine throughout.
4. **Let chlorine dissipate** to 0.5 ppm once start up period is completed.
 - Do not enter the pool if the free available chlorine residual is over 3 ppm.

Recipe

There is one (1) recipe for maintaining clean, clear, sanitized water with minimum time and effort.

This recipe provides the easiest and most economical way to care for your Nature²® pool.

Low-Chlorine Recipe

Ingredients:

- Nature² cartridge
- Chlorine granules, tablets, liquid or generator
- pH and total alkalinity adjusting chemicals
- Calcium hardness increaser, if needed
- Water test kit

Once the 4-day or 14-day start-up period is done, allow the free available chlorine residual to drop to 0.5 ppm (by reducing the amount of chlorine you add) then:

When: What to do:

Every day Run pump and filter at least six (6) hours every day.

Once a week Balance pH and total alkalinity.

Twice a week Check chlorine residual; add chlorine to maintain at least a 0.5 ppm range using the chart below.

As needed If water is hazy, superoxidize with chlorine according to manufacturer's instructions.
Additional shocking is recommended following rainstorms or heavy bather load.
Do not re-enter the pool if the free available chlorine residual is over 3 ppm.

Add the following amounts of chlorine per 10,000 gallons of water to increase free chlorine by 0.5 ppm.

Type of Chlorine Containing Compound	% Active Ingredient	% Available Chlorine Content	Ounce Quantity Required	Gram Quantity Required
Sodium Hypochlorite Liquid	5.25	5.25	12.7	361
Sodium Hypochlorite Liquid	9.2	9.2	7.3	206
Sodium Hypochlorite Liquid	10	10	6.5	184
Sodium Hypochlorite Liquid	12	12	5.6	158
Calcium Hypochlorite	65	64	1.1	30
Dichloroisocyanurate	99	62	1.1	30
Lithium Hypochlorite	29	35	1.9	54
Trichloro-s-triazinione	99	90	0.7	21
Chlorine Gas, from any source including chlorine generators	100	100	0.7	19

Provide Filtration/Circulation

To manage: You need to:

Circulation Follow the manufacturer's directions for keeping the circulating pump in good working order and operate it at least six (6) hours a day.

Consult your Nature² dealer for optimum run times.

Filtration Check the pool's filter periodically and clean it as recommended by the manufacturer.

Troubleshooting Guide

	Problem	What to look for
Cloudy water Frequently caused by improper start up. See section on Start Up and Install the Cartridge.	Poor filtration	Slow filter turnover rates
	Algae growth	Hazy pool water; may have slightly green appearance.
	Unbalanced water	1 High hardness 2 High TDS (total dissolved solids) 3 High pH 4 High total alkalinity
Algae Algae may be caused by insufficient levels of oxidizer and/or inadequate water circulation.	Green algae	Pea green color; attaches to pool walls; sometimes colors the entire body of water
	Black algae	Black spots on pool walls
	Mustard algae	Yellow or brown film on steps or walls
Note: Regular algaecide treatments are recommended for outdoor pools that experience persistent algae problems. Do not use algae treatments containing copper.		
Stains	Blue/green	Copper or iron from pool equipment corrosion or water supply
	Red/brown	Iron or manganese from equipment corrosion or water supply.
	Black	Manganese in water supply.
	Metal tarnishing	High native mineral content in water; unbalanced water
Scale	Crusty deposits on pool surfaces	High pH and high total alkalinity
		High TDS (total dissolved solids) or high hardness levels

Treatment

- 1 Backwash and clean filter.
 - 2 Run filter for 24 hours.
 - 3 Increase run time per day.
-

Superchlorinate water with chlorine according to manufacturer's instructions and brush pool walls.

Balance the pool water.

- 1 Check pH and adjust if necessary.
 - 2 Superchlorinate with chlorine according to manufacturer's instructions and brush pool walls.
 - 3 Repeat steps 1 and 2 until algae is gone.
-

- 1 Brush affected areas.
 - 2 Superchlorinate water with chlorine according to manufacturer's instructions.
 - 3 Add algaecide.
 - 4 Vacuum pool.
 - 5 Repeat steps 1 through 4 until algae is gone.
-

- 1 Adjust pH and total alkalinity to ideal ranges.
 - 2 Vigorously brush stained areas.
 - 3 Add sequestrant.
 - 4 Run filter.
 - 5 Twelve hours later, superchlorinate the pool.
 - 6 Test and balance water.
 - 7 Test pool water for dissolved metals.
-

Clean with soft cloth and mild detergent.
Test water for minerals; use a sequestrant;
and maintain water balance.

Adjust pH and total alkalinity to ideal ranges.

- 1 Replace a volume of pool water with water low in hardness and dissolved solids.
- 2 Use sequestrant to prevent scale buildup if high hardness levels are a continuing problem.

Nature²® Cartridge Replacement Intervals

Always turn pump off prior to installing or changing Nature² CF cartridge. Your pump/filter is operated under pressure and the pressure must be released before you begin work. Please see your pump/filter owner's manual for further instructions.

A cartridge lasts six (6) months or one (1) season, whichever is shorter. The cartridge should not be used longer than six (6) continuous months.

Winterizing Your Pool

Use these steps as a guide. Consult your dealer for specific information in your area.

Warm Climate

1. **Reduce the number of hours the pump runs** since the cooler weather decreases the spread of algae and other pollutants.
2. **There is no need to superoxidize** the pool during cool weather unless the water becomes cloudy (as may occur after a winter storm). See Cloudy Water in Troubleshooting section.

Cold Climate

1. **Check total alkalinity and pH** of pool to make sure that they are in proper balance.
 2. **Vacuum the pool bottom** to remove any debris or other potential contaminants.
 3. **Superoxidize** the pool with chlorine according to manufacturer's instructions to clear the water.
 4. **Add a winter algaecide** following manufacturer's instructions.
-

Important: Do not use a winter algaecide with copper in it. This will void the Nature² no-stain warranty.

5. **Backwash the filter.**
6. **Drain part of the pool water.** The amount to drain varies from one part of the country to another. Consult your dealer for advice.
7. **Remove the Nature² cartridge** and discard with household trash.
8. **Winterize the pipes** with pool antifreeze following manufacturer's instructions.
9. **Drain the water** out of all equipment (pump, filter, etc.).
10. **Store** all baskets, hoses and cleaning equipment, indoors if possible.
11. **Cover the pool** with a winter cover.

Disposal

After six (6) months of use, discard Nature² cartridge in household trash. Do not save the cartridge for re-use. The cartridge is manufactured with the mineral media sealed inside. In the unlikely event a cartridge breaks, remove it and vacuum out any media introduced into the pool.

Limited Warranty

LIMITED WARRANTY

The limited warranties contained within this document are the only warranties given with your Nature²® CF cartridge and supercede any prior warranties. **All other warranties, expressed or implied, including the implied warranty of merchantability or the implied warranty of fitness for a particular purpose are hereby disclaimed.** Our sole obligation under this warranty, and the purchaser's sole remedy, is limited to repair or replacement of the Nature² CF. The warranty applies to the original owner only.

THE LIMITED WARRANTIES OF THE NATURE² CF SANITIZER:

Nature² CF is warranted to be free of defects in materials and to perform satisfactorily for a period of six (6) months from the date of purchase. Nature² CF cartridges are warranted not to cause copper staining in your pool. This limited warranty requires that you exercise reasonable care of your pool and keep water in balance at all times and not use a copper-based algacide. This limited warranty does not cover discoloration to chromium fittings. This warranty does not cover cartridges used with any biguanide products. If the cartridge is defective and does not perform satisfactorily for the entire six (6) months, we will replace your cartridge.

EXCLUSIONS FROM WARRANTY

Nature² CF is designed for use on inground and aboveground pools with cartridge filters from 5,000 to 25,000 gallons. If it is used in any other application, the warranty is void, and the purchaser and/or pool owner releases the manufacturer from any and all claims related to the use of the Nature².

This warranty does not cover problems arising in whole or in part from purchaser's negligence, misuse or abuse, improper maintenance or storage, accident, improper installation, improper application, failure to follow all appropriate safety precautions, Acts of God, abnormal weather conditions, damage from plants or animals, and improper use of chemicals.

This warranty specifically excludes all incidental or consequential damages, except where state law requires them to be paid. This warranty gives you specific rights. You may have other rights that vary from state to state.

TO SUBMIT A CLAIM

Report claims to Zodiac Pool Systems LLC by calling 1-800-822-7933. Only the original purchaser may submit a claim under this limited warranty. All claims must be accompanied by an original purchase receipt.

ZODIAC POOL SYSTEMS LLC

2620 Commerce Way

Vista, CA 92081

Tel: 800-822-7933

Fax: 877-327-1403

www.zodiacpoolsystems.com

©2017 Zodiac Pool Systems LLC. All rights reserved.

TL-2650 Rev G