



# Nature<sup>2</sup>® Vision™ Pro Aboveground

## **WARNING**

**FOR YOUR SAFETY** - This product must be installed and serviced by a contractor who is licensed and qualified in pool equipment by the jurisdiction in which the product will be installed where such local requirements exist. In the event no such local requirement exists, the maintainer must be a professional with sufficient experience in pool equipment installation and maintenance so that all of the instructions in this manual can be followed exactly. Before installing this product, read and follow all warning notices and instructions that accompany this product. Failure to follow warning notices and instructions may result in property damage, personal injury, or death. Improper installation and/or operation will void the warranty.

## Nature<sup>2</sup> Vision Pro

READ THE LABEL AND INSTALLATION & OPERATION MANUAL BEFORE USING.

KEEP OUT OF REACH OF CHILDREN.

CONTROLS BACTERIA AND ALGAE IN SWIMMING POOL WATERS.

FOR SWIMMING POOLS, MAINTAIN A LEVEL OF FREE AVAILABLE CHLORINE OF 1-3 PPM. THIS LEVEL MAY BE LOWERED TO 0.6 PPM WITH THE USE OF NATURE<sup>2</sup> CARTRIDGES. THE NATURE<sup>2</sup> CARTRIDGE AUGMENTS BACTERICIDAL AND ALGICIDAL ACTIVITY OF THE PRIMARY DISINFECTANT, CHLORINE.

ONE NATURE<sup>2</sup> VISION PRO ABOVEGROUND CAN TREAT AN OUTDOOR SWIMMING POOL TO A MAXIMUM OF 113,000 LITRES.

NATURE<sup>2</sup> VISION PRO IS FOR USE IN SWIMMING POOLS.

DOMESTIC

REGISTRATION NUMBER: 30480

PEST CONTROL PRODUCTS ACT

# Table of Contents

<b>Section 1. Important Safety Instructions.....</b>	<b>4</b>
<b>Section 2. System Description .....</b>	<b>6</b>
2.1 Product Description .....	6
2.2 Product Specifications .....	6
<b>Section 3. Installation Instructions .....</b>	<b>7</b>
3.1 Materials and Tools .....	7
3.2 Installation Requirements .....	7
3.3 Nature <sup>2</sup> Vision Pro Flexible Hose Installation ...	8
<b>Section 4. Pool Water Preparation .....</b>	<b>9</b>
4.1 Determining Pool Size (Litres of Water in Your Pool) .....	9
4.2 Determining Pool Size (Gallons of Water in Your Pool) .....	9
4.3 Chemistry You Need to Know .....	9
4.4 Optimum Pool Water Conditions .....	10
4.5 Chlorine Stabilizer Information.....	10
<b>Section 5. Operating Instructions .....</b>	<b>11</b>
5.1 Startup .....	11
5.1.1 Shocking .....	11
5.2 Filtration and Circulation .....	11
5.3 Adding Chlorine Tablets .....	11
5.4 First Aid Instructions .....	12
5.5 Recommendations .....	12
<b>Section 6. User Maintenance Instructions .....</b>	<b>12</b>
6.1 Daily .....	12
6.2 Monthly .....	13
6.3 Nature <sup>2</sup> Vision Pro Mineral Cartridge Replacement.....	13
6.4 Winterizing .....	13
6.5 Spring Start Up .....	13
<b>Section 7. Troubleshooting</b>	<b>14</b>
7.1 Problems and Corrective Action .....	14
<b>Section 8. Exploded Views and Spare Parts.....</b>	<b>15</b>
8.1 Nature <sup>2</sup> Vision Pro Spare Parts .....	15

## Figures and Tables

Figure 1.	Nature <sup>2</sup> Vision Pro Components.....	6
Figure 2.	Hard Pipe Installation .....	8
Figure 3.	Flexible Hose Installation .....	9
Figure 4.	Nature <sup>2</sup> Vision Pro Vessel Exploded View.....	18

## Section 1. Important Safety Instructions

### READ AND FOLLOW ALL INSTRUCTIONS

When installing this equipment, basic safety precautions should always be followed, including the following:

#### WARNING

**EQUIPMENT UNDER PRESSURE:** Always turn pump off prior to installing or changing any Nature<sup>2</sup> vessel or cartridge or adding chlorine tablets. Your pump/filter system is operated under pressure and the pressure must be released before you begin work. Please see your pump/filter owner's manual for further instructions.

#### DANGER

**CHEMICAL USE HAZARD:** The Nature<sup>2</sup> Vision Pro is designed to use only Trichloro-S-Triazinetrione tablets - slow dissolving type. **Never mix or use with other types of chlorine or chemicals.** Explosion or fire may result.

- Exercise extreme caution when opening or servicing your feeder.
- Always shut off pump and available valves before opening. Do not inhale any fumes from any chemical feeder or container. Protect your eyes, skin and clothing from chemicals at all times.
- NEVER open chlorinator when pump is running.
- Make sure to slowly add the Tri-Chlor tablets to the feeder to avoid splashing of chlorinated water.
- To prevent build up of gas in chlorinator, be sure pool return line valve(s) is kept open - except when opening/servicing unit.
- Always read label and carefully follow chlorine manufacturer's and dealer's recommendations for proper water conditioning and daily chlorine requirements for your particular pool and area.

#### DANGER

To reduce the risk of injury, do not remove the suction fittings of your spa or hot tub. Never operate a spa or hot tub if the suction fittings are broken or missing. Never replace a suction fitting with one rated less than the flow rate marked on the equipment assembly.

#### WARNING

When mixing acid with water, **ALWAYS ADD ACID TO WATER. NEVER ADD WATER TO ACID.**

#### WARNING

**PREVENT CHILD DROWNING:** Do not let anyone, especially small children, sit, step, lean or climb on any equipment installed as part of your pool's operational system. Locate the components of your operational system at least one (1) metre (3 ft) from the pool so children cannot use the equipment to access the pool and be injured or drown.

#### WARNING

To reduce the risk of injury, do not permit children to operate this device.

#### WARNING

Prolonged immersion in hot water may induce hyperthermia. Hyperthermia occurs when the internal temperature of the body reaches a level several degrees above the normal body temperature of 37°C (98.6°F). The symptoms of hyperthermia include dizziness, fainting, drowsiness, lethargy, and an increase in the internal temperature of the body. The effects of hyperthermia include:

- Unawareness of impending danger;
- Failure to perceive heat;
- Failure to recognize the need to exit spa;
- Physical inability to exit spa;
- Fetal damage in pregnant women; and/or
- Unconsciousness resulting in a danger of drowning

## **⚠ WARNING**

### **To Reduce the Risk of Injury -**

- The water in a spa should never exceed 40°C (104°F). Water temperatures between 38°C (100°F) and 40°C (104°F) are considered safe for a healthy adult. Lower water temperatures are recommended for young children and when spa use exceeds 10 minutes. Bathing in spa water at 40°C (104°F) should not exceed 15 minutes.
- Since excessive water temperatures have a high potential for causing fetal damage during the early months of pregnancy, pregnant or possibly pregnant women should limit spa water temperatures to 38°C (100°F).
- Before entering a spa or hot tub, the user should measure the water temperature with an accurate thermometer since the tolerance of water temperature-regulating devices varies.
- The use of alcohol, drugs, or medication before or during spa or hot tub use may lead to unconsciousness with the possibility of drowning.
- Obese persons and persons with a history of heart disease, low or high blood pressure, circulatory system problems, or diabetes should consult a physician before using a spa.
- Persons using medication should consult a physician before using a spa or hot tub since some medication may induce drowsiness while other medication may affect heart rate, blood pressure, and circulation.

## **⚠ WARNING**

- People with infectious diseases should not use a spa or hot tub.
- To avoid injury, exercise care when entering or exiting the spa or hot tub.
- Do not use drugs or alcohol before or during the use of a spa or hot tub to avoid unconsciousness and possible drowning.
- Pregnant or possibly pregnant women should consult a physician before using a spa or hot tub.
- Water temperature in excess of 38°C (100°F) may be injurious to your health.
- Before entering a spa or hot tub measure the water temperature with an accurate thermometer.
- Do not use a spa or hot tub immediately following strenuous exercise.
- Prolonged immersion in a spa or hot tub may be injurious to your health.
- Do not permit any electric appliance (such as a light, telephone, radio, or television) within 1.52 metre (5 ft) of a spa or hot tub.
- The use of alcohol, drugs or medication can greatly increase the risk of fatal hyperthermia in hot tubs and spas.
- Water temperature in excess of 38°C (100°F) may be hazardous to your health.

## **⚠ CAUTION**

It is important to note that certain materials used in and around swimming pools and spas may not be compatible with chemicals commonly used to purify pool and spa water (e.g. acids, chlorine, salt, stabilizers, etc.).

As such, Zodiac Pool Systems, Inc. does not warrant or guarantee that the chlorinated water generated by the Nature<sup>2</sup> Vision Pro will not damage or destroy certain types of plants, decking, coping and other materials in and around your pool and/or spa. Before selecting materials to be used in and around your pool and/or spa, please discuss all options with your contractor to assess the compatibility of such materials and chemicals.

Some helpful considerations may include:

- Choosing plants that can withstand splash out of pool water containing chlorine and/or salt and other water purification chemicals.
- All metal components used in and around a pool should be of a high grade, quality stainless steel.
- Careful selection of masonry products. The porosity and hardness of natural stones varies greatly. Therefore we recommend you consult with your builder or stone contractor on the best choice for stone materials around your pool or spa.
- Sealing all masonry products. Professionals in the stone industry specify that even natural stone, especially when used outdoors, be sealed to prevent weathering, staining, and premature degradation. Consult with your stone or deck contractor for the proper sealer for the masonry products you have selected to use around your pool or spa.
- For optimal results, sealers should be reapplied on a regular basis. Reapply the protective sealer on a schedule per the manufacturer's instructions.

**SAVE THESE INSTRUCTIONS**

## Section 2. System Description

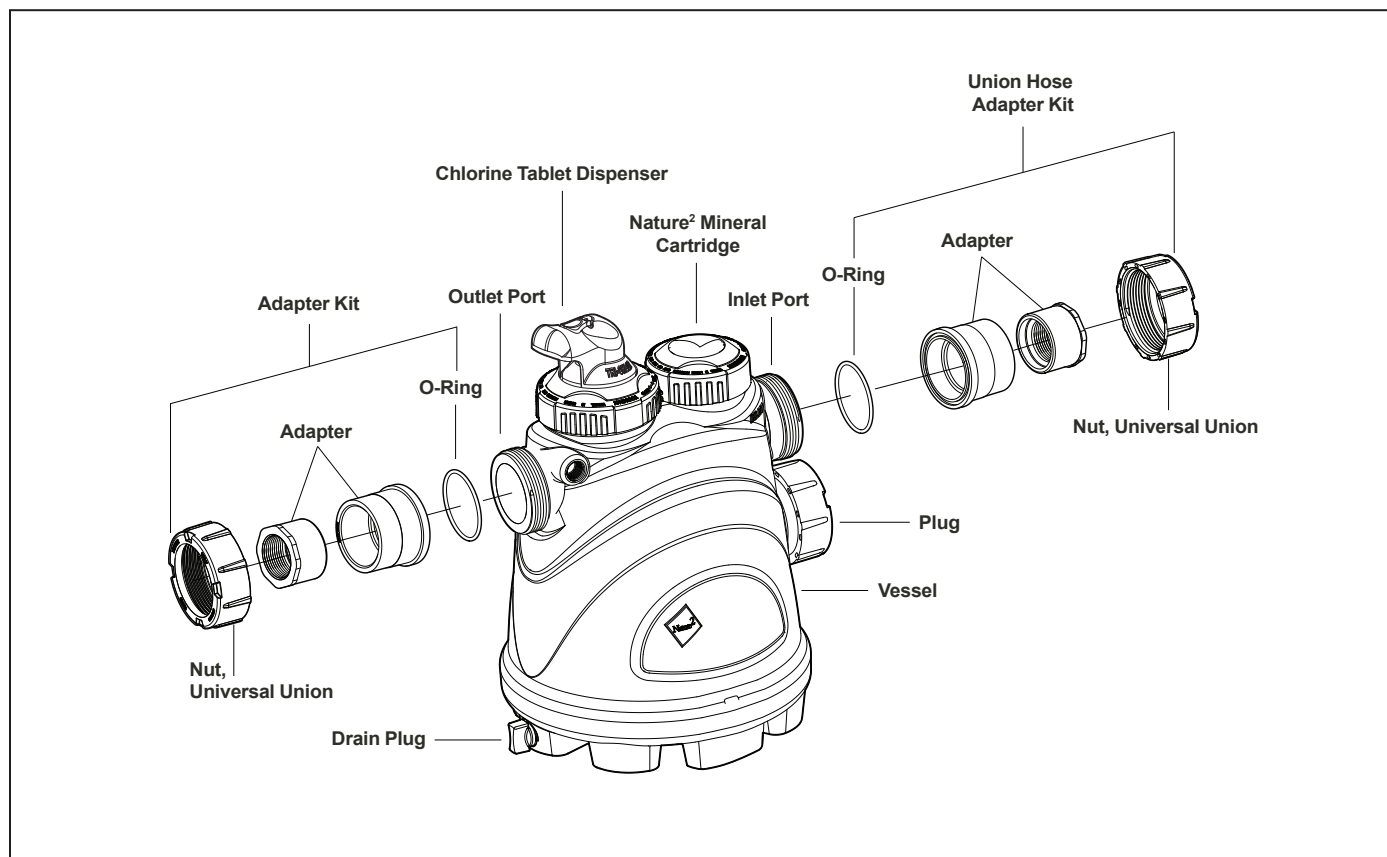


Figure 1. Nature<sup>2</sup> Vision Pro Components

### 2.1 Product Description

The Nature<sup>2</sup> Vision Pro system is an all-in-one mineral sanitizer and precision chlorine tablet dispenser that combines Nature<sup>2</sup> mineral-based technology with a tri-chlor tablet feeder. Nature<sup>2</sup> patented technology delivers controlled trace amounts of minerals to help maintain an algae-free pool.

### 2.2 Product Specifications

<b>Capacity</b>	For Aboveground Pools up to 113,000 L (30,000 gal)
<b>Replacement Nature<sup>2</sup> Vision Pro cartridge</b> <b>CAUTION:</b> Do not use any other mineral cartridge than Vision Pro. Damage to the pool surface may result.	#50001700
<b>Tri-Chlor tablet capacity</b> (Use slow dissolving Trichloro-S-Triazinetrione (Tri-Chlor) tablets only)	Approximately 2 kg (4.36 lbs) of ten 3" tabs, or almost 1.8 kgs (4 lbs) of 7.62 cm (3") tabs
<b>Maximum operating pressure</b>	345 kPa (50 psi)
<b>Minimum flow rate</b>	114 lpm (30 gpm)
<b>Maximum flow rate</b>	455 lpm (120 gpm)
<b>Dimensions</b>	42 cm x 40 cm x 37 cm (16.5"L x 16"H x 14.5"D)
<b>Vessel weight</b>	4.5 kgs (10 lbs)

## Section 3. Installation Instructions

### **⚠ WARNING**

**FOR YOUR SAFETY:** This product must be installed and serviced by a professional pool/spa service technician, as described on the front cover of this manual. The procedures in this manual must be followed exactly. Failure to follow warning notices and instructions may result in property damage, serious injury, or death. Improper installation and/or operation will void the warranty.

### **⚠ WARNING**

**EQUIPMENT UNDER PRESSURE:** Always turn pump off prior to installing or servicing the Nature<sup>2</sup> Vision Pro. Your pump/filter system is operated under pressure and the pressure must be released before you begin work. Please see your pump/filter owner's manual for further instructions.

### 3.1 Materials and Tools

#### Materials Furnished for Installation

Nature<sup>2</sup> Vision Pro Aboveground Vessel with Universal Unions  
Flex Hose Adapter Kit  
Installation and Operation Manual

#### Tools Needed for Installation

Screw Driver or Nut Driver for hose clamps  
Knife to cut flex hose or short flex hose section

### 3.2 Installation Requirements

Decide where to install the Nature<sup>2</sup> Vision Pro vessel.

- The vessel must be installed on the existing pad or a concrete slab to support the weight.
- The vessel must be installed as the last piece of equipment in the circulation plumbing system just before the pool with the Nature<sup>2</sup> side as the inlet and the chlorine side as the outlet.
- The vessel must be installed downstream from the heater or heater damage may occur.
- If the vessel is installed below the pool water level and there are no ball valves to shut off the water flow from the pool, then it must be installed with a check valve. The check valve will isolate the vessel and prevent pool draining during installation, cartridge change, or chlorine tablet addition.

### **⚠ WARNING**

A check valve can interfere with the proper operation of certain Suction Vacuum Release System (SVRS) products. To avoid possible entrapment hazard, serious injury, or death, make sure to review the operation/owners manual of your particular SVRS product before installing the check valve.

### 3.3 Nature<sup>2</sup> Vision Pro Flexible Hose Installation

1. Make sure the pool pump is turned off.
2. Locate a suitable section of flex hose to install the vessel, approximately 43 cm (17") long, that conforms to the installation requirements outlined in Section 3.2.
3. For flex hose plumbing installation, cut out a 42 cm (16<sup>5</sup>/<sub>8</sub>") section of the flex hose to insert the vessel (see Figure 3).
4. Connect the flex hose outlet from the filter to the vessel inlet port. Secure the flex hose with the clamp provided in the hose adapter kit.
5. Connect the flex hose vessel outlet port to the pool return line. Secure the flex type with the clamp provided in the hose adapter kit.
6. Start the pump and check for leaks.

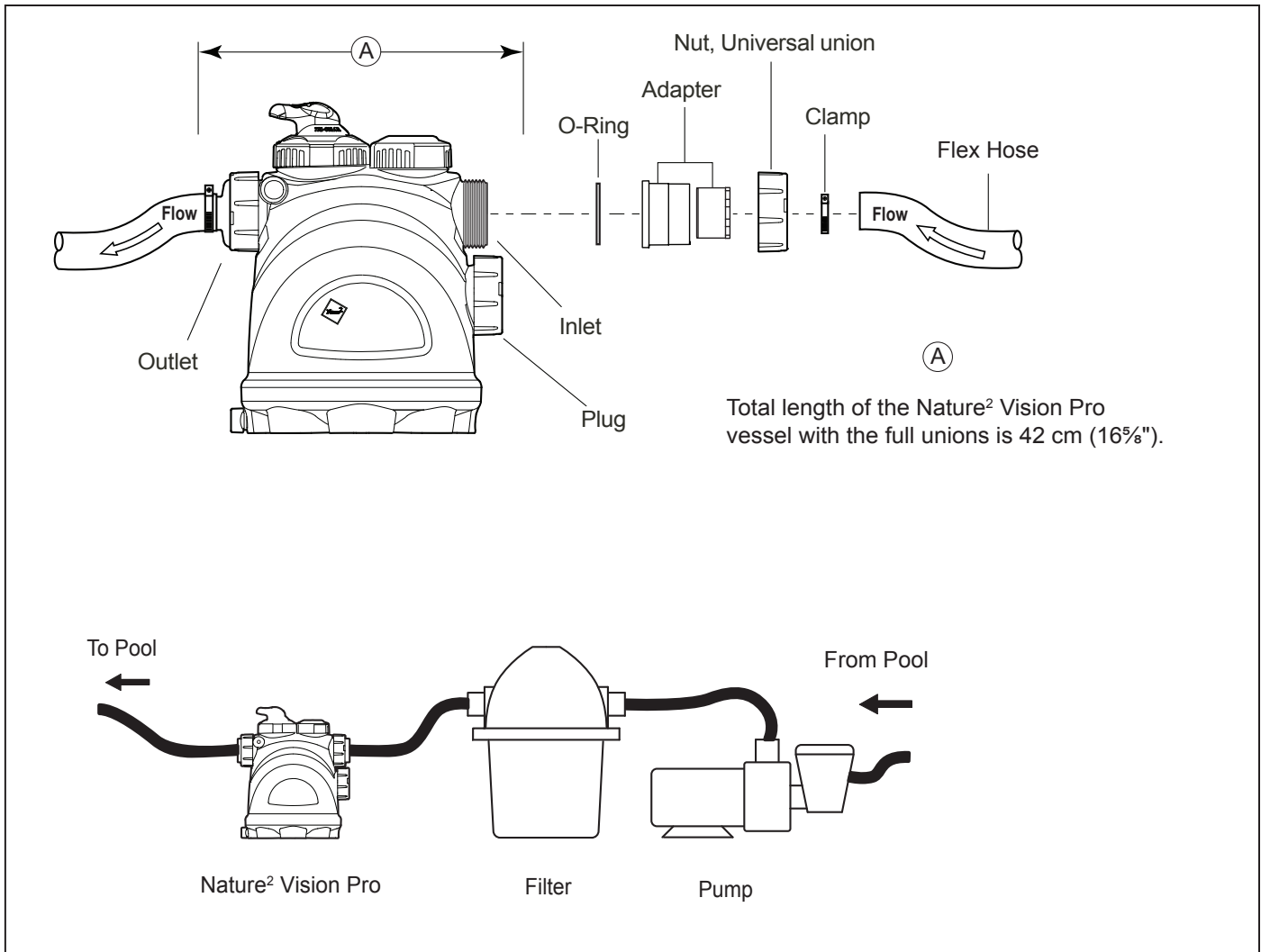


Figure 3. Flexible Hose Installation



## Section 4. Pool Water Preparation

### 4.1 Determining Pool Size (Litres of Water in Your Pool)

- **Rectangular Pools**  
Average length (metres) x average width (metres) x average depth (metres) x 1000 = litres capacity.
- **Circular Pools**  
Diameter (metres) x diameter (metres) x average depth (metres) x 785 = litres capacity.
- **Oval Pools**  
Long diameter (metres) x short diameter (metres) x average depth (metres) x 785 = litres capacity.
- **Sloping Sides**  
Multiply total litres by 0.85 = litres capacity.

### 4.2 Determining Pool Size (Gallons of Water in Your Pool)

- **Rectangular Pools**  
Average length (feet) x average width (feet) x average depth (feet) x 7.5 = gallon capacity.
- **Circular Pools**  
Diameter (feet) x diameter (feet) x average depth (feet) x 5.9 = gallon capacity.
- **Oval Pools**  
Long diameter (feet) x short diameter (feet) x average depth (feet) x 5.9 = gallon capacity.
- **Sloping Sides**  
Multiply total gallons by 0.85 = gallon capacity.

**General Rule of Sizing:** In areas with year-round use and high water temperatures, the following must be considered:

**High Water Temperatures:** Because chlorine demand increases with the rise of water temperature, adjustments must be made in order to keep up with chlorine demand. In hot summer months, where the water temperature rises above 30°C (85°F), you must increase the pump run time and increase the chlorine output.

### 4.3 Chemistry You Need to Know

- **Chlorine Stabilizer for Outdoor Pools** (cyanuric acid) is needed to maintain proper levels of chlorine. Most non stabilized chlorine is destroyed by the UV radiation from the sun within two (2) hours. Chlorine stabilizer should be maintained between 30 - 100 PPM. The addition of chlorine stabilizer is not necessary for indoor pools.
- **Nitrates** can cause extremely high chlorine demands and will deplete chlorine from your swimming pool. In some cases nitrates may even lower your chlorine levels to zero. Your local service representative can test for nitrates. Make sure nitrates are not present in your pool.
- **Metals** (some metals) can cause loss of chlorine. Also, metals can stain your pool. Have your local service representative check for metals and recommend methods of removal.
- **Chloramines** should not be present in pool water. When organic materials combine with free chlorine, chloramines are formed. This ties up the free chlorine in your pool and does not allow the chlorine in your pool to disinfect. Chloramines also cloud pool water and burn the eyes. Shock to remove chloramines at the initial startup of the pool.
- **Super Chlorination** burns out the organic material that has combined with chlorine. This frees the chlorine for sanitizing. This is accomplished by raising the chlorine level quickly and dramatically.
- **Shocking** (Superoxidation) is also a means of burning out the organic material that has combined with chlorine. This method involves the manual addition of chemicals to quickly raise the level of chlorine. When the chlorine level is quickly raised to 5 - 15 ppm the pool water is said to have been shocked.

**NOTE** On initial startup of a pool, it is best to shock from an alternate source, i.e., use a shock treatment available at your local pool supplier.

- **New pool water** in a recently filled or newly refinished pool may contain undesirable matter. This undesirable matter could interfere with the vessel's ability to sanitize properly. Make sure the water is tested by a service representative and properly balanced before turning on the sanitizer system.
- **Sequestering Agents** may be used in some areas where the total hardness of your source water may be unusually high. High total hardness can contribute to scale formation in the pool. Sequestering agents will help keep minerals in solution and under some conditions can prevent this from happening. Consult your service representative about the use of a sequestering agent.

## 4.4 Optimum Pool Water Conditions

The following water balance conditions should be maintained daily to protect the pool finish and equipment and ensure the pleasing appearance of the water. The Nature<sup>2</sup> Vision Pro is warranted to operate properly only if these conditions are met.

**Free Chlorine** 1 - 3 ppm. This level may be lowered to 0.6 ppm with the use of Nature<sup>2</sup> cartridges. Continuous exposure to levels above 3.0 ppm may cause corrosion of pool metals. Refer to Section 6.2 for Chlorine Testing.

**Combined Chlorine (Chloramines)** None (Super chlorinate to remove all chloramines).

**pH** 7.2 - 7.8 (Use muriatic acid to lower pH and soda ash to raise pH).

**Chlorine Stabilizer (Cyanuric Acid)** 30 - 100 ppm.

**Total Alkalinity** 100 - 120 ppm.

**Calcium Hardness** 200 - 300 ppm.

**Metals (Iron, Manganese)** None.

**Nitrates** None.

**Phosphates** None.

## 4.5 Chlorine Stabilizer Information

**Table 1. Approximate Kilograms and Pounds of Stabilizer Needed to Obtain 50 ppm**

Current Cyanuric Acid Level - ppm	Litres (Gallons) of Pool/Spa Water				
	38,000 L (10,000 gal)	57,000 L (15,000 gal)	76,000 L (20,000 gal)	95,000 L (25,000 gal)	113,000 L (30,000 gal)
0	1.9 kgs (4.2 lbs)	2.9 kgs (6.3 lbs)	3.8 kgs (8.4 lbs)	4.8 kgs (10.5 lbs)	5.7 kgs (12.6 lbs)
10	1.5 kgs (3.4 lbs)	2.3 kgs (5.1 lbs)	3.1 kgs (6.7 lbs)	3.8 kgs (8.4 lbs)	4.6 kgs (10.1 lbs)
20	1.1 kgs (2.5 lbs)	1.7 kgs (3.8 lbs)	2.3 kgs (5.1 lbs)	2.9 kgs (6.3 lbs)	3.4 kgs (7.6 lbs)
30	0.8 kg (1.7 lbs)	1.2 kgs (2.5 lbs)	1.5 kgs (3.4 lbs)	1.9 kgs (4.2 lbs)	2.3 kgs (5.1 lbs)
40	0.4 kg (0.8 lb)	0.6 kg (1.3 lbs)	0.8 kg (1.7 lbs)	1.0 kg (2.1 lbs)	1.2 kg (2.5 lbs)

**NOTE** The above chart is for general reference only. The recommended stabilizer reading is between 30 - 100 ppm and will vary dependent on geographic climate. Warm, sunny climates will require a stabilizer reading at the higher end of the given range. Consult your local service representative for your optimum level. Always add stabilizer according to manufacturer's instructions. It is not necessary to add stabilizer for indoor pools.

## ⚠ CAUTION

It is important to note that certain materials used in and around swimming pools and spas may not be compatible with chemicals commonly used to purify pool and spa water (e.g. acids, chlorine, salt, stabilizers, etc.).

As such, Zodiac Pool Systems, Inc. does not warrant or guarantee that the chlorinated water generated by the Nature<sup>2</sup> Vision Pro will not damage or destroy certain types of plants, decking, coping and other materials in and around your pool and/or spa. Before selecting materials to be used in and around your pool and/or spa, please discuss all options with your contractor to assess the compatibility of such materials and chemicals.

Some helpful considerations may include:

- Choosing plants that can withstand splash out of pool water containing chlorine and/or salt and other water purification chemicals.
- All metal components used in and around a pool should be of a high grade, quality stainless steel.
- Careful selection of masonry products. The porosity and hardness of natural stones varies greatly. Therefore we recommend you consult with your builder or stone contractor on the best choice for stone materials around your pool or spa.
- Sealing all masonry products. Professionals in the stone industry specify that even natural stone, especially when used outdoors, be sealed to prevent weathering, staining, and premature degradation. Consult with your stone or deck contractor for the proper sealer for the masonry products you have selected to use around your pool or spa.
- For the optimal results, sealers should be reapplied on a regular basis. Reapply the protective sealer on a schedule per the manufacturer's instructions.

## Section 5. Operating Instructions

### 5.1 Startup

Before using a new Nature<sup>2</sup> cartridge, clean debris and algae out of the pool and pool equipment and verify the pool is properly balanced (see Section 4.4). Refer to the Nature<sup>2</sup> Cartridge Owner's Manual for complete cartridge start-up procedures.

#### 5.1.1 Shocking

Shock (superoxidation) the pool water using a sanitizer registered or scheduled under the Pest Control Products Act (PCPA) at the time of pool startup to burn off contaminants and activate the mineral cartridge. Run the circulating pump either 24 hours for four (4) days, or six (6) hours a day for 14 days while maintaining 1 - 3 ppm of free available chlorine. Let chlorine gradually dissipate to 0.6 ppm once the circulating period is complete.

### 5.2 Filtration and Circulation

Follow the manufacturer's directions for keeping the circulating pump in good working order and operate it at least six (6) hours a day. Consult your Nature<sup>2</sup> dealer for optimum run times.

Check pool filter periodically, clean as recommended by manufacturer.

### 5.3 Adding Chlorine Tablets

## ⚠ DANGER

**CHEMICAL USE HAZARD:** The Nature<sup>2</sup> Vision Pro is designed to use only Trichloro-S-Triazinetrione tablets - slow dissolving type. **Never mix or use with other types of chlorine or chemicals.** Explosion or fire may result.

## ⚠ WARNING

To avoid injury or property damage from chlorinated water, add Tri-Chlor tablets slowly to avoid splashing.

Please review the chemical use hazard instructions on the first page of this manual before opening the chlorine chamber. Under normal conditions, the large-capacity chlorine dispenser of the Nature<sup>2</sup> Vision Pro provides a minimum of one (1) month chlorination for large pools. The chlorine feed rate can easily be controlled by adjusting the chlorine regulator dial to control the

rate of water flow through the chlorine chamber, and the amount of Tri-Chlor tablets placed in the feeder. For swimming pools, maintain a level of free available chlorine of 1-3 ppm. This level may be lowered to 0.6 ppm with the use of Nature<sup>2</sup> cartridges.

To add: Turn collar counterclockwise to remove and lift off cap. Place the cartridge in the chamber slowly to avoid splashing.

## 5.4 First Aid Instructions

**If swallowed:** Call a poison control centre or doctor immediately for treatment advice. Have person sip a glass of water if able to swallow. Do not induce vomiting unless told to do so by a poison control centre or doctor. Do not give anything by mouth to an unconscious person.

**If on skin or clothing:** Take off contaminated clothing. Rinse skin immediately with plenty of water for 15-20 minutes. Call a poison control centre or doctor for treatment advice.

**If inhaled:** Move person to fresh air. If person is not breathing, call 911 or an ambulance, then give artificial respiration, preferably by mouth-to-mouth, if possible. Call a poison control centre or doctor for further treatment advice.

**If in eyes:** Hold eye open and rinse slowly and gently with water for 15-20 minutes. Remove contact lenses, if present, after the first 5 minutes, then continue rinsing eye. Call a poison control centre or doctor for treatment advice.

Take container, label or product name and Pest Control Product Registration Number with you when seeking medical attention.

## 5.5 Recommendations

### DO List

- Read and keep your manual in a safe place.
- Add Tri-Chlor tablets slowly to avoid splashing of water.
- Increase chlorine production before high bather load and return to normal afterwards.
- Increase chlorine production when temperature goes up.
- Decrease production when temperature goes down (for example, in the fall and winter seasons).
- Take pool water sample to service representative once per month.
- Check the expiry date of the test kit as results may be inaccurate if used after that date.

### DON'T List

- Do not get fertilizer in your pool. Fertilizers contain nitrates which cause a high chlorine demand on pool water.
- Do not let chlorine stabilizer drop below 30 ppm.
- DO NOT add pool chemicals directly into the skimmer.

## Section 6. User Maintenance Instructions

The following information describe how to care for your Nature<sup>2</sup> Vision Pro.

### 6.1 Daily

1. **Filtration and Circulation.** Follow the manufacturer's directions for keeping the circulating pump in good working order and operate it at least six (6) hours a day. Consult your Nature<sup>2</sup> dealer for optimum run times. Check pool filter periodically, clean as recommended by manufacturer.
2. **Chlorine Test.** Test pool water chlorine level with a reliable test kit. Maintain ideal range by adjusting the Nature<sup>2</sup> Vision Pro chlorine production rate (see Section 5.3). Recommended free chlorine is 0.6 - 3 ppm. May be as low as 0.6 ppm with the use of a Nature<sup>2</sup> cartridge that is within its normal operating life.

**NOTE** It is recommended that chlorine test samples be taken from two (2) places, one (1) at the pool return line, the other well away from the pool return line. Compare the samples. A higher level should be found at the pool return line. The higher level at the pool return line indicates the Nature<sup>2</sup> Vision Pro is producing chlorine.

- a. At the pool return line.
- b. 46 cm (18") below the surface and well away from the pool return line.
3. **pH Level Test.** Test the pH level of your pool with a test kit. If necessary, adjust according to your service representative's recommendations.

## **⚠ WARNING**

Because chlorine demand increases with the rise of water temperature, or heavy pool (or spa) usage, it may be necessary to increase the chlorine output to maintain proper free available levels.

4. **Total Alkalinity Test.** Test pool water for total alkalinity with a test kit. Adjust according to your qualified service representative's recommendations.
5. **Calcium Hardness.** Test pool water for calcium hardness level using test kit or by having a water sample tested by a service representative. If necessary, adjust according to your service representative's recommendations.

### **6.2 Monthly**

1. **Pool Water Sample.** Take water sample to local pool store for testing.
2. **Stabilizer (Cyanuric Acid).** Test pool water stabilizer (cyanuric acid) level using a test kit or by having a water sample tested by a service representative. Maintain ideal range of 30 - 100 ppm. Follow your service representative's recommendations. The addition of stabilizer is not necessary for indoor swimming pools.
3. **Metals Test.** It is recommended that the pool water be tested periodically for the presence of metals such as iron, and manganese. These metals should not be present in the pool water. If those metals are present, contact your local service representative.

### **6.3 Nature<sup>2</sup> Vision Pro Mineral Cartridge Replacement**

The mineral Vision Pro cartridge lasts six (6) months or one (1) pool season (whichever is the shorter length of time).

1. Shut off the pool pump and filter.
2. Close valves between filter and pool to prevent pool draining.
3. Turn the small collar counterclockwise to remove.
4. Remove old cartridge and discard in household trash. Insert the new cartridge.

**IMPORTANT** Make sure the o-ring is secure in the groove on the vessel top. Turn large collar clockwise until it locks into place, do not over tighten.

5. Open any valves that were closed to isolate the Nature<sup>2</sup> Vision Pro.

### **6.4 Winterizing**

## **⚠ CAUTION**

Make sure to wear gloves, eye protection, and protect any exposed skin when removing chlorine tablets. Review the safety and first aid information provided with all chemicals before using.

Consult your dealer for complete information on pool care and maintenance in cooler temperatures.

In cold climates, where the pool is closed:

1. Remove the Nature<sup>2</sup> Vision Pro cartridge and discard with household trash.
2. It is also recommended to remove the vessel and store indoors. Use expansion plugs for the pipe openings, or a Spool Piece (sold separately) to replace the vessel during winterizing or vessel maintenance, which enables the pool pump to circulate water with the vessel out of the line.
3. Replace empty chlorine holder into unit, retighten collar and run pump for 30 minutes.
4. Remove and save the drain plug.
5. Rinse out Nature<sup>2</sup> Vision Pro thoroughly with water.
6. If blowing lines clear with air, set chlorine regulator dial to 6.
7. After completing winterization, loosen collars.

### **6.5 Spring Start Up**

1. Replace the vessel.
2. Start up your pool as normal.
3. After the water has been balanced, insert the new Nature<sup>2</sup> Vision Pro cartridge, add the chlorine tablets (see Section 5.3 for precautions), and complete the cartridge start up procedures in the Nature<sup>2</sup> Vision Pro cartridge owner's manual.



## Section 7. Troubleshooting

### **⚠ WARNING**

Always turn pump off prior to attempting service or repair. Your pump and filter system is operated under pressure and pressure must be released before you begin to avoid system damage or personal injury. Open the air relief valve on your pool filter to release the pressure in the system.

### 7.1 Problems and Corrective Action

Problem	Possible Cause	Corrective Action
The vessel leaks.	O-Ring missing or improperly seated.	Make sure o-ring is secure in the groove on the vessel housing, not on the cap.
	Faulty plumbing.	Repair the source of leak in plumbing.
No flow to vessel.	Dirty filter (one indication: pressure is 8 - 10 psi higher than normal).	Clean or backwash filter.
Low or no chlorine.	Chlorine output set too low.	Turn the chlorine output handle to a higher output number.
	Chlorine dispenser low or empty.	Refill the chlorine dispenser with tri-chlor tablets.
	Low stabilizer (cyanuric acid) level in pool water (for outdoor pool only).	Add stabilizer to maintain 30 - 100 ppm (see Section 4.5, Table 1).
	Insufficient operating hours of the unit.	Increase the system operating time per day.
	Recent increases in weather temperature without increasing the chlorine production of your unit.	Increase chlorine production by turning the chlorine output handle to a higher output number.
	Temporary loss of chlorine due to heavy organic load - rain, leaves, fertilizer or heavy bather load. Pets using pool.	Increase chlorine production by turning the chlorine output handle to a higher output number. Set the pump to run for 24 hours. After 24 hours, recheck chlorine levels. If still too low, super chlorinate with alternate source.
	High nitrate level.	Contact a qualified service representative.
	Metals present in pool water.	Contact a qualified service representative.
	New pool water. Not shocked properly upon startup.	Super chlorinate the pool.
Chlorine level too high.	Chlorine output set too high.	Turn the chlorine output handle to a lower output number.
Chlorine odor.	Presence of excess chloramines (combined chlorine).	Manually shock the pool.
Cloudy Water, Slimy Walls of Pool.	It has been six (6) months since present cartridge was installed.	Replace cartridge.
	Combined algae and bacteria growth.	Brush down the affected walls and follow the directions in Section 5.1.1 Shocking.
Eye and/or skin irritation.	Improper water balance.	Balance the water to recommended levels in Section 4.4.
Scale formation on pool equipment.	Incorrect pH causing minerals to come out of solution.	Adjust total alkalinity to 100 - 120 ppm. Then adjust pH to within 7.2 - 7.8
	High total hardness.	Dilute pool with fresh water. Consult a qualified service representative regarding use of a sequestering agent.

## Section 8. Exploded Views and Spare Parts

### 8.1 Nature<sup>2</sup> Vision Pro Spare Parts

Dwg.#	Kit #	Description	Qty.
1	R0452100	Universal Union/Tailpiece/Plug Includes: Nut, Union Universal O-Ring, #2-231 Plug, Port	3 3 1
2	50001700	Nature <sup>2</sup> Vision Pro Cartridge (single)	1
3	R0501800	Vessel w/ Flow Management System, Nature <sup>2</sup> Vision Pro, Nature <sup>2</sup> AG Includes: Vessel Plug, Drain O-Ring, drain plug	1 1 1
4	A0186300	Drain Plug w/ O-Ring	1
5	R0502300	Large Collar w/ O-Ring	1
6	R0502400	Small Collar w/ O-Ring	1
7	R0502500	Nature <sup>2</sup> Vision Pro, O-Ring Kit Includes: O-Ring, Large Collar O-Ring, Small Collar O-Ring, Unions & Port Plug O-Ring, Feeder Shaft O-Ring, Drain Plug	1 1 3 2 1
8	R0533100	Tab Feeder Assembly Includes: Body Cap Top O-Ring	1 1 1 2
9	R0502700	Tab Feeder Handle	1

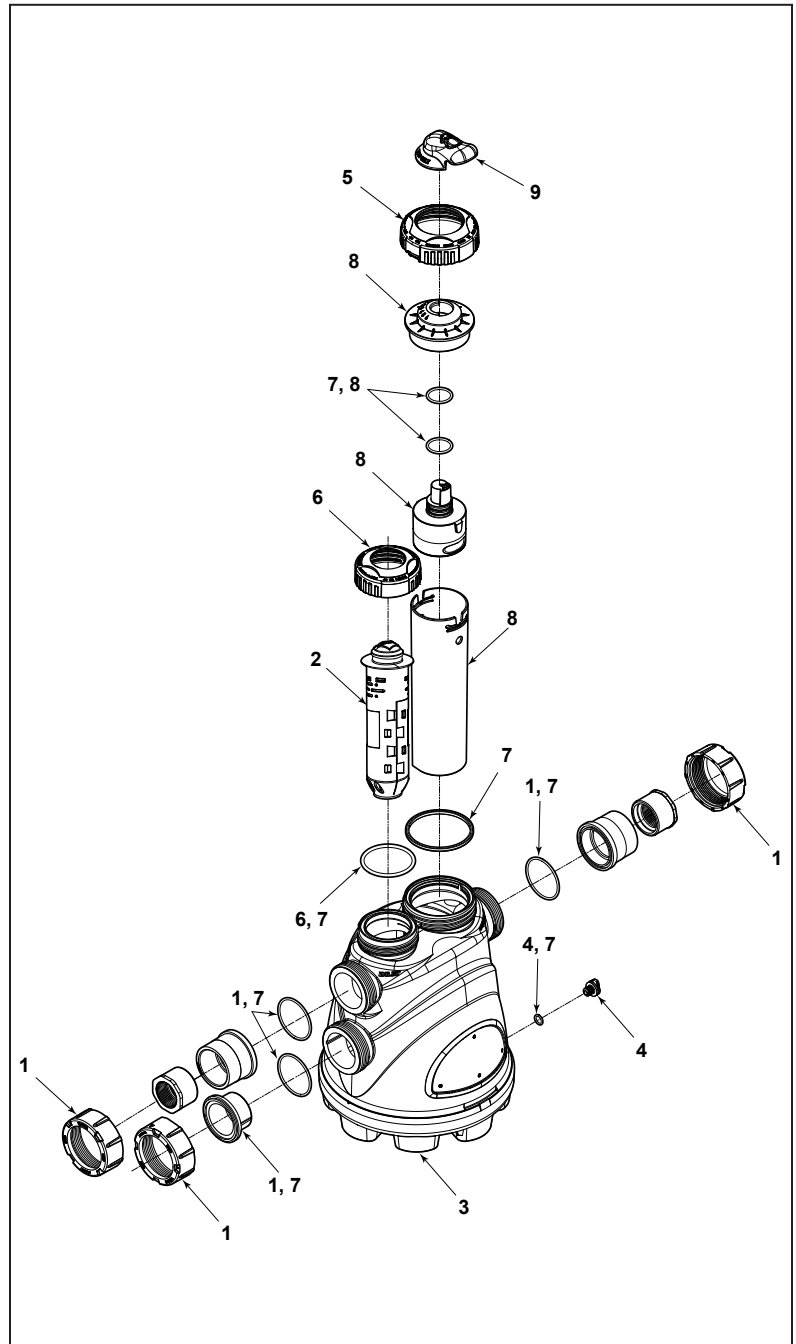


Figure 4. Nature<sup>2</sup> Vision Pro Vessel Exploded View

# NOTES



# NOTES

# NOTES

**For warranty support in Canada:**

Zodiac Pool Systems Canada, Inc.  
2115 South Service Road West Unit 3  
Oakville, ON L6L5W2  
1.888.647.4004 | [www.zodiacpoolsystems.ca](http://www.zodiacpoolsystems.ca)

**Zodiac Pool Systems, Inc.**

2620 Commerce Way, Vista, CA 92081  
1.800.822.7933 | [www.ZodiacPoolSystems.com](http://www.ZodiacPoolSystems.com)

*ZODIAC® is a registered trademark of Zodiac International, S.A.S.U., used under license.  
All trademarks referenced herein are the property of their respective owners.*

©2013 Zodiac Pool Systems, Inc. H0347600 Rev B 1301





# Nature<sup>2</sup>® Vision™ Pro Hors terre

## AVERTISSEMENT

**POUR VOTRE SÉCURITÉ** – L'installation et l'entretien de ce produit doivent être effectués par un technicien autorisé et qualifié pour la réparation des équipements de piscine par la juridiction où ledit produit est installé lorsque de telles exigences locales sont édictées. Si aucune exigence locale n'est disponible, l'agent d'entretien doit être un professionnel avec suffisamment d'expérience dans l'installation et la maintenance d'équipement de piscine pour appliquer correctement les consignes du présent manuel. Avant d'installer ce produit, veuillez lire et suivre toutes les consignes de mise en garde et les instructions incluses avec ce produit. Le non-respect des avertissements et des instructions pourrait causer des dommages matériels, des blessures graves ou même un décès. Une installation ou une utilisation inappropriée annuleront la garantie.

## Nature<sup>2</sup> Vision Pro

LIRE L'ÉTIQUETTE, LE GUIDE D'INSTALLATION ET LE MODE D'EMPLOI AVANT L'UTILISATION.

GARDER HORS DE LA PORTÉE DES ENFANTS.

CONTRÔLE LA QUANTITÉ DE BACTÉRIES ET D'ALGUES DANS L'EAU DE LA PISCINE.

POUR LES PISCINES, GARDER LE NIVEAU DE CHLORE LIBRE DISPONIBLE À 1-3 PPM. CE NIVEAU PEUT ÊTRE RÉDUIT À 0,6 PPM AVEC L'UTILISATION DES CARTOUCHES NATURE<sup>2</sup>. LA CARTOUCHE NATURE<sup>2</sup> AUGMENTE L'ACTIVITÉ BACTÉRICIDE ET ALGICIDE DU DÉSINFECTANT PRIMAIRE QUI EST LE CHLORE.

UNE CARTOUCHE HORS TERRE NATURE<sup>2</sup> VISION PRO PEUT SERVIR À TRAITER UNE PISCINE DONT LA CAPACITÉ MAXIMALE EST DE 113 000 LITRES.

NATURE<sup>2</sup> VISION PRO EST DESTINÉE À ÊTRE UTILISÉE DANS LES PISCINES.

NUMÉRO D'ENREGISTREMENT DOMESTIQUE : 30480

LOI SUR LES PRODUITS ANTIPARASITAIRES

## Table des matières

### Section 1. Consignes de sécurité importantes.. 23

### Section 2. Description du système ..... 25

2.1 Description du produit ..... 25

2.2 Spécifications du produit..... 25

### Section 3. Instructions d'installation..... 26

3.1 Matériaux et outils ..... 26

3.2 Exigences d'installation ..... 26

3.3 Installation du tuyau flexible  
Nature<sup>2</sup> Vision Pro..... 27

### Section 4. Préparation de l'eau de la piscine..... 28

4.1 Déterminer la grandeur de la piscine  
(capacité en litres d'eau) ..... 28

4.2 Déterminer la grandeur de la piscine  
(capacité en gallons d'eau) ..... 28

4.3 Connaissances de chimie essentielles ..... 28

4.4 Conditions optimales pour l'eau de la piscine .. 29

4.5 Information sur le stabilisateur de chlore ..... 29

### Section 5. Instructions d'utilisation ..... 30

5.1 Mise en service..... 30

5.1.1 Chloration choc..... 30

5.2 Filtration et circulation ..... 30

5.3 Ajout des comprimés de chlore ..... 30

5.4 Consignes pour les premiers soins..... 31

5.5 Recommandations..... 31

### Section 6. Consignes d'entretien à l'intention de l'utilisateur ..... 31

6.1 Entretien quotidien ..... 31

6.2 Entretien mensuel ..... 32

6.3 Remplacement de la cartouche minérale  
Nature<sup>2</sup> Vision Pro..... 32

6.4 Préparation à l'hiver ..... 32

6.5 Démarrage au printemps ..... 32

### Section 7. Dépannage ..... 33

7.1 Problèmes et mesures correctives ..... 33

### Section 8. Vue éclatée et pièces de rechange ... 34

8.1 Pièces de rechange pour le système Nature<sup>2</sup>  
Vision Pro ..... 34

## Figures et tableaux

Figure 1.	Composantes du système Nature <sup>2</sup> Vision Pro.....	25
Figure 2.	Installation du tuyau flexible.....	27
Figure 3.	Vue éclatée de l'appareil Nature <sup>2</sup> Vision Pro.....	34

## Section 1. Consignes de sécurité importantes

### LIRE ET SUIVRE TOUTES LES DIRECTIVES

Lors de l'installation de cet équipement, des précautions de base doivent toujours être suivies, entre autres :

#### AVERTISSEMENT

**ÉQUIPEMENT SOUS PRESSION** : Toujours fermer la pompe avant l'installation ou le remplacement de l'appareil Nature<sup>2</sup> ou de la cartouche ou pendant l'ajout des comprimés de chlore. La pompe et le filtre opèrent sous pression et il doit y avoir détente de cette pression avant de commencer le travail. Veuillez consulter le manuel d'utilisateur de votre pompe/filtre pour plus d'instructions.

#### DANGER

**DANGER RELIÉ À L'UTILISATION DE PRODUITS CHIMIQUES** : Le Vision Pro Nature<sup>2</sup> est conçu pour utiliser uniquement des comprimés de type Trichloro-S-Triazinetrione à dilution lente. **Ne jamais mélanger ou utiliser d'autres types de chlore ou de produits chimiques.** Une explosion ou un incendie pourra en résulter.

- Faire preuve d'une grande prudence lors de l'ouverture ou de l'entretien du doseur.
- Toujours fermer la pompe et les valves disponibles avant d'ouvrir. Ne pas respirer les fumées du doseur ou du contenant chimique. Protéger les yeux, la peau et les vêtements contre les produits chimiques en tout temps.
- NE JAMAIS ouvrir le chlorateur lorsque la pompe est en marche.
- S'assurer d'ajouter lentement les comprimés de Tri-Chlor au doseur pour éviter des projections d'eau chlorée.
- Pour éviter l'accumulation de gaz dans le chlorateur s'assurer d'ouvrir la ou les valves de la conduite de retour de la piscine, sauf pendant l'ouverture et l'entretien de l'appareil.
- Toujours lire l'étiquette et suivre attentivement les recommandations du fabricant et du détaillant du chlore concernant le traitement approprié de l'eau et les besoins quotidiens en chlore pour votre piscine et localité spécifiques.

#### DANGER

Pour réduire le risque de blessures, ne pas enlever la tuyauterie d'aspiration de votre spa ou bain à remous. Ne jamais actionner un spa ou bain à remous si la tuyauterie d'aspiration est cassée ou absente. Ne jamais remplacer une tuyauterie d'aspiration avec une tuyauterie dotée d'une cote inférieure au taux de débit spécifié dans l'assemblage de l'équipement.

#### AVERTISSEMENT

Lorsque vous mélangez l'acide à l'eau, **TOUJOURS AJOUTER L'ACIDE À L'EAU. NE JAMAIS AJOUTER L'EAU À L'ACIDE.**

#### AVERTISSEMENT

**ÉVITER LE RISQUE DE NOYADE DES ENFANTS** : Ne laisser personne, surtout des jeunes enfants, s'asseoir, mettre le pied, s'appuyer ou monter sur des appareils faisant partie du système opérationnel de la piscine. Placer les composants de votre système opérationnel à au moins un (1) mètre (3 pi) de la piscine pour que les enfants ne puissent pas utiliser l'équipement pour accéder à la piscine et se blesser ou se noyer.

#### AVERTISSEMENT

Afin de réduire le risque de blessures, ne pas laisser d'enfants faire fonctionner le présent dispositif.

#### AVERTISSEMENT

L'immersion prolongée dans l'eau chaude peut causer l'hyperthermie. L'hyperthermie survient lorsque la température interne du corps atteint un niveau de plusieurs degrés au-dessus de la température normale du corps de 37 °C (98,6 °F). Les symptômes d'une hyperthermie sont le vertige, l'évanouissement, la somnolence, la léthargie et l'augmentation de la température interne du corps. Les effets de l'hyperthermie comprennent :

- Ignorance du danger imminent;
- Incapacité de sentir la chaleur;
- Incapacité à reconnaître la nécessité de sortir du spa;
- Incapacité physique à quitter le spa;
- Dommage au Fœtus chez la femme enceinte; et/ou
- Perte de conscience entraînant un risque de noyade.

## AVERTISSEMENT

### Pour réduire le risque de blessures -

- La température de l'eau dans les spas ne doit jamais dépasser 40 °C (104 °F). La température de l'eau entre 38 °C (100 °F) et 40 °C (104 °F) est considérée sécuritaire pour un adulte en bonne santé. Des températures d'eau inférieures sont recommandées pour les enfants et lorsque l'utilisation du spa ne dépasse pas 10 minutes. Ne pas excéder 15 minutes de baignade dans l'eau d'un spa à 40 °C (104 °F).
- Étant donné que les températures de l'eau excessives ont un potentiel élevé d'endommager le fœtus pendant les premiers mois de la grossesse, les femmes enceintes ou qui pensent l'être doivent limiter la température de l'eau du spa à 38 °C (100 °F).
- Avant d'entrer dans un spa ou bain à remous, l'utilisateur devrait vérifier la température de l'eau à l'aide d'un thermomètre précis puisque la tolérance des dispositifs de régulation de température de l'eau varie.
- La consommation d'alcool, de drogues ou de médicaments avant ou pendant l'utilisation d'un spa ou jacuzzi peut entraîner la perte de conscience et la possibilité de noyade.
- Les personnes obèses, ou ayant des antécédents médicaux de maladie du cœur, de diabète, de problèmes circulatoires ou de pression sanguine irrégulière devraient consulter leur médecin avant d'utiliser un spa.
- Les personnes qui prennent des médicaments devraient consulter un médecin avant d'utiliser un spa ou jacuzzi puisque certains médicaments peuvent provoquer la somnolence alors que d'autres médicaments peuvent affecter la fréquence cardiaque, la tension artérielle et la circulation.

## AVERTISSEMENT

- Les personnes avec des maladies infectieuses ne devraient pas utiliser un spa ou autres équipements semblables.
- Pour éviter des blessures, il faut être prudent en entrant ou en sortant du spa.
- Ne pas consommer de drogues ou d'alcool avant ou pendant l'utilisation d'un spa ou bain à remous afin d'éviter la perte de conscience ou une possible noyade.
- Les femmes enceintes ou qui peuvent l'être devraient consulter un médecin avant d'utiliser un spa ou autres équipements semblables.
- Une température de l'eau supérieure à 38 °C (100 °F) peut nuire à votre santé.
- Avant d'entrer dans un spa ou bain à remous, vérifier la température de l'eau à l'aide d'un thermomètre précis.
- Ne pas utiliser un spa immédiatement après avoir pratiqué un exercice énergétique.
- L'immersion prolongée dans un spa peut être nuisible à votre santé.
- Ne pas permettre l'utilisation d'appareil électrique (comme une lampe, un téléphone, un appareil de radio ou de télévision) à moins de 1,52 mètres (5 pi) d'un spa ou d'un bain à remous.
- L'utilisation d'alcool, de drogues ou de médicaments peut augmenter considérablement le risque d'hyperthermie mortelle dans les spas.
- Une température de l'eau supérieure à 38 °C (100 °F) peut être dangereuse pour votre santé.

## MISE EN GARDE

Il est important de noter que certains matériaux utilisés dans les spas et les piscines ou à proximité de ceux-ci peuvent être incompatibles avec les produits chimiques utilisés habituellement pour purifier l'eau des spas ou des piscines (p. ex. : les acides, le chlore, le sel, les stabilisants, etc.).

Ainsi, Zodiac PoolSystems, Inc. ne garantit pas que l'eau chlorée produite par Nature<sup>2</sup> Vision Pro n'endommagera pas ou ne détruira pas certains types des plantes, le revêtement ou les dalles de terrasse et tout autre matériel utilisé à l'intérieur ou à proximité du spa ou de la piscine. Avant de sélectionner les matériaux qui seront utilisés à l'intérieur de votre piscine ou du spa ou à proximité de ceux-ci, veuillez discuter avec votre entrepreneur des options disponibles pour évaluer la compatibilité de tels matériaux avec les produits chimiques.

Quelques conseils utiles :

- Choisir des plantes qui supportent les éclaboussures d'eau de piscine contenant du chlore ou du sel et d'autres produits chimiques de purification.
- Toutes les pièces métalliques utilisées à l'intérieur ou à proximité de la piscine doivent être fabriquées en acier inoxydable de bonne qualité.
- Sélection minutieuse de produits de maçonnerie. La porosité et la dureté des pierres naturelles varient grandement. Nous vous recommandons donc de discuter avec l'entrepreneur responsable de travaux de maçonnerie pour choisir la meilleure solution en ce qui concerne les pierres à utiliser autour de votre piscine ou du spa.
- Scellement des tous les produits de maçonnerie. Les professionnels de l'industrie de pierre précisent qu'il faut sceller même les pierres naturelles, particulièrement si elles sont utilisées à l'extérieur, pour empêcher le vieillissement, les tâches et la dégradation prématurée. Discutez avec les responsables des travaux de maçonnerie et de la construction de la terrasse pour bien sélectionner le scellant pour les produits de maçonnerie qui seront utilisés autour de votre piscine ou du spa.
- Pour de meilleurs résultats, les scellants doivent être appliqués régulièrement. Appliquer le scellant protecteur régulièrement, conformément aux instructions du fabricant.

**CONSERVER CES DIRECTIVES**



## Section 2. Description du système

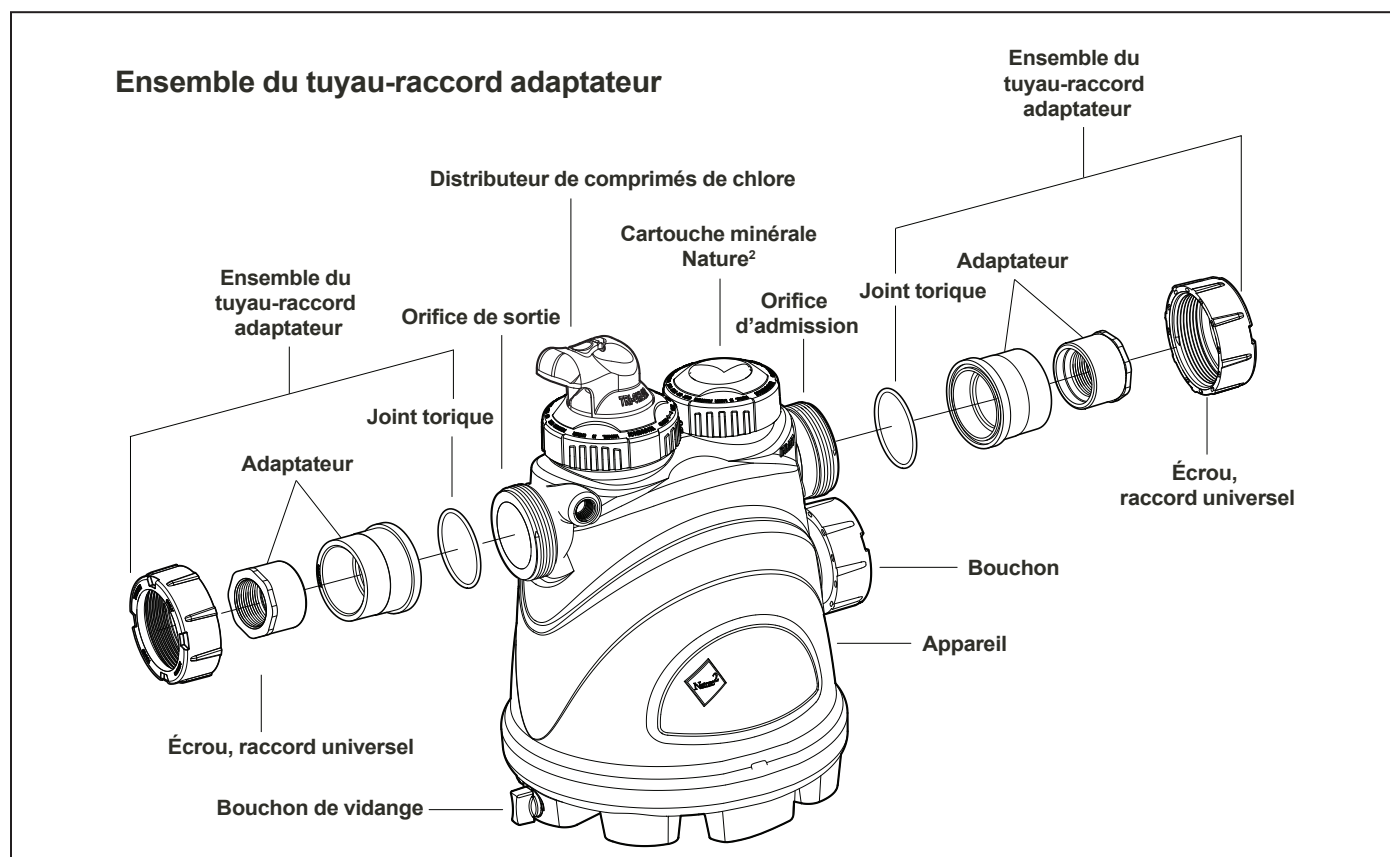


Figure 1. Composantes du système Nature<sup>2</sup> Vision Pro

### 2.1 Description du produit

Le système Nature<sup>2</sup> Vision Pro est un assainisseur minéral et un distributeur de précision de comprimés de chlore tout-en-un combinant la technologie minérale Nature<sup>2</sup> avec un doseur de comprimés tri-chlore. La technologie brevetée Nature<sup>2</sup> produit une petite quantité contrôlée de minéraux qui aident à éliminer les algues dans la piscine.

### 2.2 Spécifications du produit

<b>Capacité</b>	Pour les piscines hors terre jusqu'à 113 000 l (30 000 gals)
<b>Remplacement de la cartouche Nature<sup>2</sup> Vision Pro</b> <b>AVERTISSEMENT</b> : N'utiliser aucune cartouche minérale autre que Vision Pro. Cela pourrait endommager la surface de la piscine.	#50001700
<b>Capacité du comprimé Tri-Chlor</b> (Utiliser seulement des comprimés trichloro-s-triazinetrione (Tri-Chlor) à dissolution lente)	Environ 2 kg (4,36 lb) de dix tablettes de 3 po, ou presque 1,8 kg. (4 lb) de tablettes de 7,62 cm (3 po)
<b>Pression de fonctionnement maximale</b>	345 kPa (50 psi)
<b>Débit minimum</b>	114 lpm (30 gpm)
<b>Débit maximum</b>	455 lpm (120 gpm)
<b>Dimensions</b>	42 cm x 40 cm x 37 cm (16,5 po L x 16 po H x 14,5 po P)
<b>Poids de l'appareil</b>	4,5 kg (10 lb)

## Section 3. Instructions d'installation

### AVERTISSEMENT

**POUR VOTRE SÉCURITÉ** : le présent produit doit être installé et entretenu par un technicien professionnel spécialisé dans l'installation et la maintenance des piscines et des spas, tel qu'il est décrit sur la page couverture du présent manuel. Les consignes de ce manuel doivent être suivies scrupuleusement. Toute infraction aux consignes de sécurité et d'emploi pourrait causer des dommages matériels, des blessures graves ou même la mort. Une installation ou une utilisation inappropriée annuleront la garantie.

### AVERTISSEMENT

**ÉQUIPEMENT SOUS PRESSION** : Toujours éteindre la pompe avant d'installer ou d'effectuer l'entretien de l'appareil Nature<sup>2</sup> Vision Pro. La pompe et le filtre opèrent sous pression et il doit y avoir détente de cette pression avant de commencer le travail. Veuillez consulter le manuel d'utilisateur de votre pompe/filtre pour plus d'instructions.

### 3.1 Matériaux et outils

#### Matériaux fournis pour l'installation

Appareil hors terre Nature<sup>2</sup> Vision Pro avec les raccords universels

Ensemble de tuyau adaptateur flexible

Guide d'installation et mode d'emploi

#### Outils nécessaires pour l'installation

Un tournevis ou un tournevis à douille pour les colliers de serrage

Un couteau pour couper le tuyau flexible ou pour raccourcir la section du tuyau flexible

### 3.2 Exigences d'installation

Décider de l'endroit où installer l'appareil Nature<sup>2</sup> Vision Pro.

- L'appareil doit être installé sur une plate-forme existante ou une dalle de béton pour supporter le poids.
- L'appareil doit être installé comme la dernière pièce d'équipement du système de circulation de l'eau de la piscine, juste avant la piscine avec le côté Nature<sup>2</sup> comme orifice d'admission et le côté chlorinateur comme orifice de sortie.
- L'appareil doit être installé en aval du chauffe-eau ou celui-ci pourrait être endommagé.
- Si l'appareil est installé au-dessous du niveau d'eau de la piscine et qu'il n'y a pas de soupape à bille pour couper le flux d'eau de la piscine, alors celui-ci doit être installé avec un clapet antiretour. Le clapet antiretour isolera l'appareil et empêchera que la piscine ne se vide pendant l'installation, le remplacement de la cartouche ou l'ajout des comprimés de chlore.

### AVERTISSEMENT

Un clapet antiretour peut interférer avec le bon fonctionnement de certains produits à mécanisme de déclenchement de l'aspiration à vide (SVRS). Afin d'éviter tout risque de piégeage, des blessures graves ou un décès, s'assurer de consulter le manuel d'entretien et d'emploi de votre produit SVRS précis avant d'installer le clapet antiretour.

### 3.3 Installation du tuyau flexible Nature<sup>2</sup> Vision Pro

1. S'assurer que la pompe de la piscine est fermée.
2. Trouver une section appropriée du tuyau flexible pour installer l'appareil, d'environ 43 cm (17 po) de longueur et conforme aux exigences d'installation spécifiées dans la Section 3.2.
3. Pour installer le tuyau flexible, découper une section de 42 cm (16 <sup>5</sup>/<sub>8</sub> po) du tuyau flexible pour l'insérer dans l'appareil (voir Figure 3).
4. Connecter l'orifice de sortie du tuyau flexible du filtre à l'orifice d'admission de l'appareil. Fixer le tuyau flexible avec le collier fourni dans l'ensemble de tuyau adaptateur.
5. Connecter la conduite de retour de la piscine à l'orifice de sortie du tuyau flexible de l'appareil. Fixer le tuyau flexible avec le collier fourni dans l'ensemble de tuyau adaptateur.
6. Mettre la pompe en marche et vérifier s'il y a des fuites.

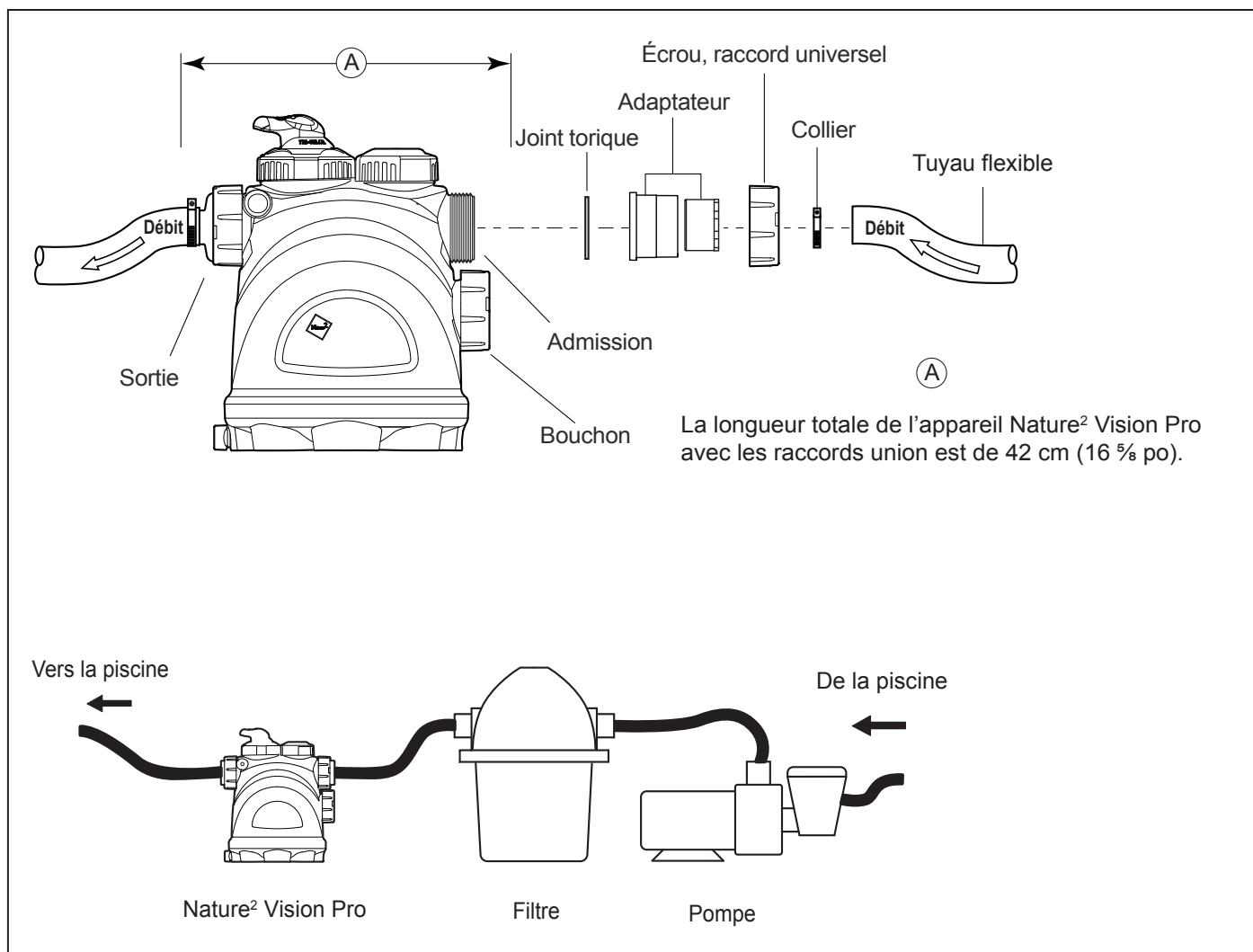


Figure 2. Installation du tuyau flexible

## Section 4. Préparation de l'eau de la piscine

### 4.1 Déterminer la grandeur de la piscine (capacité en litres d'eau)

- **Piscines rectangulaires**  
Longueur moyenne (mètres) x largeur moyenne (mètres) x profondeur moyenne (mètres) x 1 000 = volume en litres.
- **Piscines circulaires**  
Diamètre (mètres) x diamètre (mètres) x profondeur moyenne (mètres) x 785 = volume en litres.
- **Piscines ovales**  
Grand diamètre (mètres) x petit diamètre (mètres) x profondeur moyenne (mètres) x 785 = volume en litres.
- **Bords en pente**  
Multiplier le nombre total de litres par 0,85 = volume en litres.

### 4.2 Déterminer la grandeur de la piscine (capacité en gallons d'eau)

- **Piscines rectangulaires**  
Longueur moyenne (pieds) x largeur moyenne (pieds) x profondeur moyenne (pieds) x 7,5 = volume en gallons américains.
- **Piscines circulaires**  
Diamètre (pieds) x diamètre (pieds) x profondeur moyenne (pieds) x 5,9 = volume en gallons américains.
- **Piscines ovales**  
Grand diamètre (pieds) x petit diamètre (pieds) x profondeur moyenne (pieds) x 5,9 = volume en gallons américains.
- **Bords en pente**  
Multiplier la capacité totale en gallons par 0,85 = volume en gallons américains.

**Règle générale pour mesurer les dimensions :** dans les régions où la piscine est utilisée toute l'année et où la température est élevée, il faut prendre en considération ce qui suit :

**Températures d'eau élevées :** Comme la demande en chlore augmente avec la hausse de la température de l'eau, des ajustements sont nécessaires pour répondre à la demande en chlore. Pendant les mois chauds de l'été, lorsque la température d'eau dépasse 30 °C (85 °F), vous devez augmenter le temps de fonctionnement de la pompe et augmenter la production du chlore.

### 4.3 Connaissances de chimie essentielles

- **Un stabilisateur de chlore pour piscines extérieures** (acide cyanurique) est requis pour maintenir la concentration de chlore à des niveaux adéquats. Le chlore non stabilisé est détruit en grande partie par les rayons ultraviolets du soleil dans les 2 heures. Le stabilisateur de chlore doit être maintenu à une concentration de 30 à 100 ppm. Il n'est pas nécessaire d'ajouter un stabilisateur de chlore à l'eau de piscines intérieures.
- **Les nitrates** peuvent générer une consommation de chlore extrêmement élevée et faire baisser la concentration de chlore dans votre piscine. Dans certains cas, les nitrates peuvent même réduire la concentration de chlore à zéro. Le préposé au service de votre région peut tester l'eau pour détecter les nitrates. Assurez-vous qu'il n'y a pas de nitrates dans l'eau de votre piscine.
- **Les métaux** (certains métaux) peuvent faire baisser les concentrations de chlore. Les métaux peuvent aussi tacher votre piscine. Un préposé au service local pourra faire un essai de détection des métaux et recommander des méthodes pour les éliminer.
- **Les chloramines** ne doivent pas être présentes dans l'eau de la piscine. Lorsque des substances organiques se combinent avec du chlore libre, des chloramines se forment. Cela emprisonne le chlore libre présent dans la piscine, et empêche le chlore de désinfecter l'eau. Les chloramines rendent aussi l'eau trouble et brûlent les yeux. Faire une chloration choc pour éliminer les chloramines avant la mise en service de la piscine.
- **La surchloration** brûle les substances organiques qui se sont combinées avec le chlore. Cela libère le chlore qui peut ainsi désinfecter l'eau. Pour obtenir cet effet, augmentez la concentration de chlore rapidement et substantiellement.
- **La chloration choc** (superoxydation) est aussi un moyen de brûler les substances organiques qui se sont combinées avec le chlore. Cette méthode nécessite l'ajout manuel des produits chimiques pour augmenter rapidement le niveau du chlore. Quand la concentration de chlore passe rapidement de 5 à 15 ppm, on dit que l'eau de la piscine a été superoxydé (chloration choc).

**REMARQUE** Lors de la mise en service initiale de la piscine, la surchloration est recommandée en utilisant un traitement choc d'une source externe. Procurez-vous pour cela une trousse de chloration choc chez un fournisseur de produits pour piscine.

- **L'eau d'une piscine** récemment remplie ou mise en service peut contenir des substances indésirables. Ces substances indésirables peuvent gêner le bon fonctionnement de l'appareil. Faites analyser et équilibrer l'eau de la piscine par un préposé au service avant de

faire fonctionner le système d'assainissement.

- **Les agents séquestrants** peuvent être utilisés dans certains endroits, là où la dureté de l'eau peut être exceptionnellement élevée. Un niveau élevé de dureté peut contribuer à la formation de tartre dans la piscine. Les agents séquestrants aident à garder les minéraux dissous, ce qui, dans certains cas, peut empêcher le processus. Consulter votre préposé au service sur l'usage des agents séquestrants.

#### 4.4 Conditions optimales pour l'eau de la piscine

Les conditions suivantes de l'équilibre chimique de l'eau devraient être mises à jour quotidiennement afin de protéger le fini et les équipements de votre piscine et s'assurer de l'aspect agréable de l'eau. Le fonctionnement de Nature<sup>2</sup> Vision Pro est garanti uniquement si ces conditions sont remplies.

**Chlore libre** 1 - 3 ppm. Si on utilise les cartouches Nature<sup>2</sup>, le niveau peut être aussi bas que 0,6 ppm. Si le niveau de chlore dépasse 3,0 ppm de façon régulière cela peut corroder les pièces métalliques de la piscine. Consulter la Section 6.1 pour le test de chlore.

**Chlore combiné (chloramines)** Aucun (surchloriner pour enlever tous les chloramines).

**pH** 7,2 - 7,8 (Utiliser de l'acide chlorhydrique pour diminuer le pH et de l'hydrate de sodium pour augmenter le pH).

**Stabilisateur de chlore (acide cyanurique)** 30 - 100 ppm.

**Alcalinité totale** 100 - 120 ppm.

**Dureté calcique** 200 - 300 ppm.

**Métaux (fer, manganèse)** Aucun.

**Nitrates** Aucun.

**Phosphates** Aucun.

#### 4.5 Information sur le stabilisateur de chlore

**Tableau 1. Le nombre approximatif de kilogrammes et de livres de stabilisateur nécessaires pour obtenir 50 PPM**

Niveau actuel de l'acide cyanurique - ppm	Litres (gallons) d'eau de piscine / spa				
	38 000 l (10 000 gals)	57 000 l (15 000 gals)	76 000 l (20 000 gals)	95 000 l (25 000 gals)	113 000 l (30 000 gals)
0	1,9 kg (4,2 lb)	2,9 kg (6,3 lb)	3,8 kg (8,4 lb)	4,8 kg (10,5 lb)	5,7 kg (12,6 lb)
10	1,5 kg (3,4 lb)	2,3 kg (5,1 lb)	3,1 kg (6,7 lb)	3,8 kg (8,4 lb)	4,6 kg (10,1 lb)
20	1,1 kg (2,5 lb)	1,7 kg (3,8 lb)	2,3 kg (5,1 lb)	2,9 kg (6,3 lb)	3,4 kg (7,6 lb)
30	0,8 kg (1,7 lb)	1,2 kg (2,5 lb)	1,5 kg (3,4 lb)	1,9 kg (4,2 lb)	2,3 kg (5,1 lb)
40	0,4 kg (0,8 lb)	0,6 kg (1,3 lb)	0,8 kg (1,7 lb)	1,0 kg (2,1 lb)	1,2 kg (2,5 lb)

**REMARQUE** Le tableau suivant est fourni à titre de référence générale uniquement. Le niveau recommandé du stabilisateur se situe entre 30 et 100 ppm et variera en fonction du climat géographique. Des climats chauds et ensoleillés nécessitent un niveau de stabilisateur près des valeurs supérieures d'une échelle donnée. Consulter le préposé au service de votre région pour trouver le niveau optimal. Ajouter toujours le stabilisateur conformément aux instructions du fabricant. Il n'est pas nécessaire d'ajouter un stabilisateur de chlore à l'eau de piscines intérieures.

## MISE EN GARDE

Il est important de noter que certains matériaux utilisés dans les spas et les piscines ou à proximité de ceux-ci peuvent être incompatibles avec les produits chimiques utilisés habituellement pour purifier l'eau des spas ou des piscines (par ex. : les acides, le chlore, le sel, les stabilisants, etc.)

Ainsi, Zodiac Pool Systems, Inc. ne garantit pas que l'eau chlorée produite par Nature<sup>2</sup> Vision Pro n'endommagera pas ou ne détruira pas certains types des plantes, le revêtement ou les dalles de terrasse et tout autre matériel utilisé à l'intérieur ou à proximité du spa ou de la piscine. Avant de sélectionner les matériaux qui seront utilisés à l'intérieur de votre piscine ou du spa ou à proximité de ceux-ci, veuillez discuter avec votre entrepreneur des options disponibles pour évaluer la compatibilité de tels matériaux avec les produits chimiques.

Quelques conseils utiles :

- Choisir des plantes qui supportent les éclaboussures d'eau de piscine contenant du chlore ou du sel et d'autres produits chimiques de purification.
- Toutes les pièces métalliques utilisées à l'intérieur ou à proximité de la piscine doivent être fabriquées en acier inoxydable de bonne qualité.
- Sélection minutieuse de produits de maçonnerie. La porosité et la dureté des pierres naturelles varient grandement. Nous vous recommandons donc de discuter avec l'entrepreneur responsable de travaux de maçonnerie pour choisir la meilleure solution en ce qui concerne les pierres à utiliser autour de votre piscine ou du spa.
- Scellement des tous les produits de maçonnerie. Les professionnels de l'industrie de pierre précisent qu'il faut sceller même les pierres naturelles, particulièrement si elles sont utilisées à l'extérieur, pour empêcher le vieillissement, les tâches et la dégradation prématurée. Discutez avec les responsables des travaux de maçonnerie et de la construction de la terrasse pour bien sélectionner le scellant pour les produits de maçonnerie qui seront utilisés autour de votre piscine ou du spa.
- Pour de meilleurs résultats, les scellants doivent être appliqués régulièrement. Appliquer le scellant protecteur régulièrement, conformément aux instructions du fabricant.

## Section 5. Instructions d'utilisation

### 5.1 Mise en service

Avant d'utiliser une nouvelle cartouche Nature<sup>2</sup>, nettoyer la piscine et l'équipement de piscine des débris et des algues et vérifier que l'eau de la piscine est proprement équilibrée (voir Section 4.4). Consulter le Manuel du propriétaire de la cartouche Nature<sup>2</sup> pour connaître les procédures complètes de démarrage de la cartouche.

#### 5.1.1 Chloration choc

Effectuer la chloration choc (superoxydation) de l'eau de piscine à l'aide d'un assainisseur enregistré ou prévu au titre Pest Control Products Act (PCPA) au moment de la mise en service de la piscine pour brûler les contaminants. Faire fonctionner la pompe circulatrice 24 heures par jour pendant quatre (4) jours ou six (6) heures par jour pendant 14 jours en maintenant le niveau de chlore libre disponible à 1 - 3 ppm. Laisser le chlore se dissiper graduellement jusqu'à un niveau de 0,6 ppm une fois la période de circulation complétée.

### 5.2 Filtration et circulation

Suivre les consignes du fabricant pour maintenir la pompe circulatrice en bon état de fonctionnement et la faire fonctionner pendant au moins six (6) heures par jour. Consulter votre détaillant de Nature<sup>2</sup> pour connaître le temps de fonctionnement optimal.

Vérifier périodiquement le filtre de la piscine, nettoyer selon les recommandations du fabricant.

### 5.3 Ajout des comprimés de chlore

## DANGER

**DANGER RELIÉ À L'UTILISATION DE PRODUITS CHIMIQUES** : Le système Nature<sup>2</sup> Vision Pro est conçu pour utiliser uniquement des comprimés de type Trichloro-S-Triazinetrione à dilution lente. **Ne jamais mélanger ou utiliser d'autres types de chlore ou de produits chimiques.** Une explosion ou un incendie pourra en résulter.

## AVERTISSEMENT

Pour éviter des blessures ou des dommages matériels causés par l'eau chlorée, ajouter des comprimés Tri-Chlor lentement pour éviter les éclaboussures.

Veuillez revoir les instructions pour l'utilisation sans risque des produits chimiques à la première page de ce manuel avant d'ouvrir le compartiment de chlore. Dans des conditions normales, le distributeur de chlore de grande capacité Nature<sup>2</sup> Vision Pro permet de chlorer de larges piscines pendant au moins un (1) mois. Le débit d'alimentation du chlore peut être facilement réglé en ajustant le cadran régulateur de chlore



pour contrôler l'écoulement d'eau à travers le compartiment du chlore et la quantité des comprimés Tri-Chlor placés dans le doseur. Pour les piscines, garder le niveau de chlore libre disponible à 1-3 ppm. Si on utilise les cartouches Nature<sup>2</sup>, le niveau peut être aussi bas que 0,6 ppm.

Pour ajouter : tourner le collier dans le sens antihoraire pour retirer et enlever le couvercle. Placer lentement la cartouche dans le compartiment pour éviter les éclaboussures.

## 5.4 Consignes pour les premiers soins

**En cas d'ingestion :** Appeler immédiatement un centre antipoison ou un médecin pour obtenir des conseils sur le traitement. Faire boire un verre d'eau à la personne si elle peut avaler. Ne pas faire vomir à moins d'avoir reçu le conseil de procéder ainsi par le centre antipoison ou le médecin. Ne rien administrer par la bouche à une personne inconsciente.

**En cas de contact avec la peau ou les vêtements :** Enlever tous les vêtements contaminés. Bien rincer la peau à grande eau immédiatement pendant 15 à 20 minutes. Appeler un centre antipoison ou un médecin pour obtenir des conseils sur le traitement.

**En cas d'inhalation :** Déplacer la personne vers une source d'air frais. Si la personne ne respire pas, appeler le 911 ou une ambulance, puis pratiquer la respiration artificielle, de préférence le bouche-à-bouche, si possible. Appeler un centre antipoison ou un médecin pour obtenir d'autres conseils sur le traitement.

**En cas de contact oculaire :** Tenir les paupières ouvertes et rincer doucement à l'eau pendant 15 à 20 minutes. Retirer les lentilles de contact, le cas échéant, après les cinq premières minutes, puis poursuivre le rinçage. Appeler un centre antipoison ou un médecin pour obtenir des conseils sur le traitement.

Apporter le contenant, l'étiquette ou le nom du produit et le numéro d'enregistrement LPA lorsqu'on cherche à obtenir une aide médicale.

## 5.5 Recommandations

### Liste de choses À FAIRE

- Lire et conserver votre guide en lieu sûr.
- Ajouter des comprimés Tri-Chlor lentement pour éviter les éclaboussures.
- Augmenter la production de chlore avant de recevoir un nombre élevé de baigneurs, puis revenir au niveau standard par la suite.
- Augmenter la production de chlore lorsque la température extérieure augmente.
- Diminuer le taux de production lorsque la température baisse (par exemple en automne et en hiver).
- Une fois par mois, amener un échantillon d'eau de la piscine chez le détaillant.

- Vérifier la date de péremption du nécessaire d'analyse d'eau, car les résultats peuvent être faussés si celui-ci est utilisé après la date indiquée.

### Liste de choses À NE PAS FAIRE

- Éviter d'échapper de l'engrais dans votre piscine. Les engrais contiennent des nitrates qui entraînent une hausse de la demande en chlore dans l'eau de la piscine.
- Éviter de laisser le stabilisateur de chlore descendre en dessous de 30 ppm.
- NE PAS déposer de produits chimiques directement dans l'écumoire.

## Section 6. Consignes d'entretien à l'intention de l'utilisateur

Les consignes suivantes décrivent comment prendre soin de votre système Nature<sup>2</sup> Vision Pro.

### 6.1 Entretien quotidien

1. **Filtration et circulation.** Suivre les consignes du fabricant pour maintenir la pompe circulatrice en bon état de fonctionnement et l'utiliser pendant au moins six (6) heures par jour. Consulter votre détaillant de Nature<sup>2</sup> pour connaître le temps de fonctionnement optimal. Vérifier périodiquement le filtre de la piscine, nettoyer selon les recommandations du fabricant.
2. **Test de chlore.** Servez-vous d'une trousse d'analyse fiable pour vérifier la concentration du chlore dans l'eau de la piscine. Maintenir un niveau idéal en réglant le taux de production de chlore du Nature<sup>2</sup> Vision Pro (voir la Section 5.2), Le niveau de chlore libre recommandé se situe entre 1 et 3 ppm. Peut descendre jusqu'à 0,6 ppm si on utilise une cartouche Nature<sup>2</sup> qui est en état normal de fonctionnement.

**REMARQUE** Il est recommandé de prélever les échantillons à deux (2) endroits différents : l'un à la conduite de retour de la piscine et l'autre très loin de la conduite de retour de la piscine. Comparer les échantillons. La teneur en chlore doit être plus élevée près de la conduite de retour de la piscine. Une teneur plus élevée près de la conduite de retour indique que la cartouche Nature<sup>2</sup> Vision Pro produit du chlore.

- a. À la conduite de retour d'eau de la piscine
  - b. 46 cm (18 po) sous la surface et bien loin de la conduite de retour de la piscine.
3. **Analyse du niveau de pH.** Analyser le niveau de pH de l'eau de votre piscine avec une trousse d'analyse du pH. Si nécessaire, régler selon les recommandations de votre préposé au service.

## AVERTISSEMENT

Les besoins en chlore augmentent lorsque la température de l'eau est plus élevée ou en fonction d'une utilisation fréquente de la piscine (ou du spa). Il peut alors être nécessaire d'augmenter la production de chlore pour maintenir un niveau de chlore libre disponible approprié.

4. **Analyse de l'alcalinité totale.** Analysez l'alcalinité totale de l'eau de votre piscine avec une trousse d'analyse. Régler selon les recommandations de votre préposé au service qualifié.
5. **Dureté calcique.** Analyser le niveau de dureté calcique de l'eau de votre piscine avec une trousse d'analyse ou faire examiner un échantillon de l'eau de votre piscine par un préposé au service. Si nécessaire, régler selon les recommandations de votre préposé au service.

## 6.2 Entretien mensuel

1. **Échantillon d'eau de la piscine.** Apporter un échantillon d'eau à un détaillant de piscine de votre région pour effectuer le test.
2. **Stabilisateur (acide cyanurique).** Tester le niveau du stabilisateur de l'eau de la piscine (niveau de l'acide cyanurique) en utilisant une trousse d'analyse ou en faisant tester un échantillon d'eau par un préposé au service. Conserver un niveau recommandé de 30 à 100 PPM. Suivre les recommandations de votre préposé au service. Il n'est pas nécessaire d'ajouter un stabilisateur de chlore à l'eau de piscines intérieures.
3. **Test de métaux.** Il est recommandé de tester périodiquement la présence de métaux, comme le fer et le manganèse, dans l'eau de la piscine. Ces métaux ne doivent pas être présents dans l'eau de la piscine. Si ces métaux sont présents dans l'eau de votre piscine, communiquer avec le préposé au service de votre région.

## 6.3 Remplacement de la cartouche minérale Nature<sup>2</sup> Vision Pro

La cartouche minérale Vision Pro dure six (6) mois ou une (1) saison complète de piscine (en prenant la période la plus courte).

1. Fermer la pompe de la piscine et le filtre.
2. Fermer les soupapes entre le filtre et la piscine pour éviter la vidange de la piscine.
3. Tourner le petit collier dans le sens antihoraire pour retirer.
4. Retirer la vieille cartouche et jeter avec les ordures ménagères. Insérer la nouvelle cartouche.

**IMPORTANT** S'assurer que le joint torique est bien fixé dans la rainure sur le dessus de l'appareil. Tourner le grand collier dans le sens horaire jusqu'à ce qu'il s'enclenche. Ne pas trop serrer.

5. Ouvrir toutes les soupapes qui ont été fermées pour isoler l'appareil Nature<sup>2</sup> Vision Pro.

## 6.4 Préparation à l'hiver

### MISE EN GARDE

S'assurer de porter des gants et l'équipement de protection pour les yeux et de protéger toute la peau exposée avant de retirer les comprimés de chlore. Avant l'utilisation, consulter l'information concernant la sécurité et les premiers soins fournie avec tous les produits chimiques.

Consulter votre détaillant pour obtenir toutes les informations sur l'entretien de la piscine lorsque les températures sont plus froides. Dans les climats plus froids, là où la piscine est fermée :

1. Enlever la cartouche Nature<sup>2</sup> Vision Pro et jeter avec les ordures ménagères.
2. Il est aussi recommandé de retirer l'appareil et de l'entreposer à l'intérieur. Utiliser les bouchons expansibles pour les ouvertures des conduites ou une manchette de raccordement (vendue séparément) pour remplacer l'appareil pendant l'hivernisation ou l'entretien de l'appareil, qui permet à la pompe de la piscine de faire circuler l'eau lorsque l'appareil n'est pas raccordé.
3. Remettre le support de chlore vide dans l'appareil, resserrer le collier et faire fonctionner la pompe pendant 30 minutes.
4. Retirer et entreposer le bouchon de vidange.
5. Rincer soigneusement le Nature<sup>2</sup> Vision Pro avec de l'eau.
6. Si vous soufflez de l'air dans les conduites, régler le cadran de chlore à 6.
7. Après avoir terminé l'hivernisation, desserrer les colliers.

## 6.5 Démarrage au printemps

1. Remettre l'appareil.
2. Démarrer votre piscine normalement.
3. Après l'équilibrage de l'eau, insérer la nouvelle cartouche Nature<sup>2</sup> Vision Pro, ajouter les comprimés de chlore (voir Section 5.3 pour les précautions), et terminer les procédures de démarrage de la cartouche présentées dans le manuel du propriétaire du Nature<sup>2</sup> Vision Pro.



## Section 7. Dépannage

### **⚠ AVERTISSEMENT**

Toujours éteindre la pompe avant d'effectuer l'entretien ou la réparation. Votre pompe et filtre fonctionnent sous pression et la pression doit être purgée avant de commencer pour éviter les dommages au système ou les blessures. Ouvrir la soupape de dégagement d'air de votre filtre de piscine pour libérer la pression dans le système.

### 7.1 Problèmes et mesures correctives

Problème	Cause possible	Mesure corrective
Le système coule.	Joint torique manquant ou mal positionné.	S'assurer que le joint torique est bien fixé dans la rainure sur le dessus de l'appareil et non sur le dessous du capuchon.
	Tuyauterie défectueuse	Réparer la source de la fuite dans les conduites.
Pas d'écoulement dans l'appareil.	Filtre sale (une indication : la pression est supérieure de 8 à 10 psi par rapport à la normale).	Nettoyer le filtre ou le laver à contre-courant.
Manque ou absence de chlore.	Production du chlore réglée à un niveau trop faible.	Tourner la manivelle de production du chlore vers une valeur plus élevée.
	Distributeur de chlore vide ou presque vide.	Insérer des comprimés tri-chlor dans le distributeur de chlore.
	Faible concentration de stabilisateur (acide cyanurique) dans l'eau de la piscine (pour piscines extérieures seulement).	Ajouter le stabilisateur pour maintenir une concentration entre 30 et 100 ppm (voir Section 4.5, Tableau 1).
	Heures de fonctionnement de l'appareil inadéquates.	Augmenter la durée quotidienne du fonctionnement du système.
	Augmentations récentes de la température extérieure sans augmentation de la production de chlore de votre appareil.	Augmenter le taux de production de chlore en tournant la manivelle de production de chlore vers une valeur plus élevée.
	Baisse temporaire du chlore causée par de lourdes charges organiques – pluie, feuilles, engrais ou grande quantité de nageurs. Animaux domestiques utilisant la piscine.	Augmenter le taux de production de chlore en tournant la manivelle de production de chlore vers une valeur plus élevée. Programmer la pompe pour fonctionner pendant 24 heures. Après 24 heures, revérifier les niveaux du chlore. Si le niveau est toujours trop faible, surchlorer avec une autre source.
	Niveau élevé de nitrate.	Communiquer avec un préposé au service qualifié.
	Métaux présents dans l'eau de la piscine.	Communiquer avec un préposé au service qualifié.
	Nouvelle eau de piscine. Chloration choc initiale inadéquate.	Surchlorer la piscine.
Niveau de chlore trop élevé.	Production du chlore réglée à un niveau trop élevé.	Tourner la manivelle de production de chlore vers une valeur moins élevée.
Odeur de chlore.	Présence excessive de chloramine (chlore combiné).	Effectuer une chloration choc manuelle.
Eau trouble, parois de la piscine visqueuses.	La cartouche actuellement en place a été installée il y a plus de six (6) mois.	Remplacer la cartouche.
	Croissance combinée des algues et des bactéries.	Brosser les parois affectées et suivre les instructions dans la Section 5.1.1 Chloration choc.
Irritation des yeux ou de la peau.	Mauvais équilibre de l'eau.	Équilibrer l'eau aux niveaux recommandés dans la Section 4.4.
Formation de tartre sur l'équipement de la piscine.	pH incorrect qui fait que les minéraux sont libérés de la solution.	Ajuster l'alcalinité totale entre 100 à 120 ppm. Ensuite, régler le pH à un niveau se situant entre 7,2 et 7,8 (voir Section 4.5).
	Dureté totale élevée.	Diluer l'eau de piscine avec de l'eau fraîche. Discuter avec votre préposé au service qualifié de l'utilisation d'un agent séquestrant.

## Section 8. Vue éclatée et pièces de rechange

### 8.1 Pièces de rechange pour le système Nature<sup>2</sup> Vision Pro

Dessin n°	N° d'ensemble	Description	Qté
1	R0452100	Raccord universel/Manchon/Bouchon Comprend :	
		Écrou, raccord universel	3
		joint torique, #2-231	3
		Bouchon, Port	1
2	50001700	Cartouche Nature <sup>2</sup> Vision Pro (unique)	1
3	R-0501800	Appareil avec système de gestion du débit, Nature <sup>2</sup> Vision Pro, Nature <sup>2</sup> AG Comprend :	
		Appareil	1
		Prise, Canalisation	1
		Joint torique, bouchon de vidange	1
4	A0186300	Bouchon de vidange avec joint torique	1
5	R0502300	Grand collier avec joint torique	1
6	R0502400	Petit collier avec joint torique	1
7	R0502500	Ensemble de joint torique, Nature <sup>2</sup> Vision Pro Comprend :	
		Joint torique, grand collier	1
		Joint torique, petit collier	1
		Joint torique, raccords et bouchon de sortie	3
		Joint torique, tige du doseur	2
		Joint torique, bouchon de vidange	1
8	R-0533100	Ensemble du distributeur de pastille Comprend :	
		Boîtier	1
		Bouchon	1
		Supérieur	1
		Joint torique	2
9	R0502700	Poignée du distributeur de pastille	1

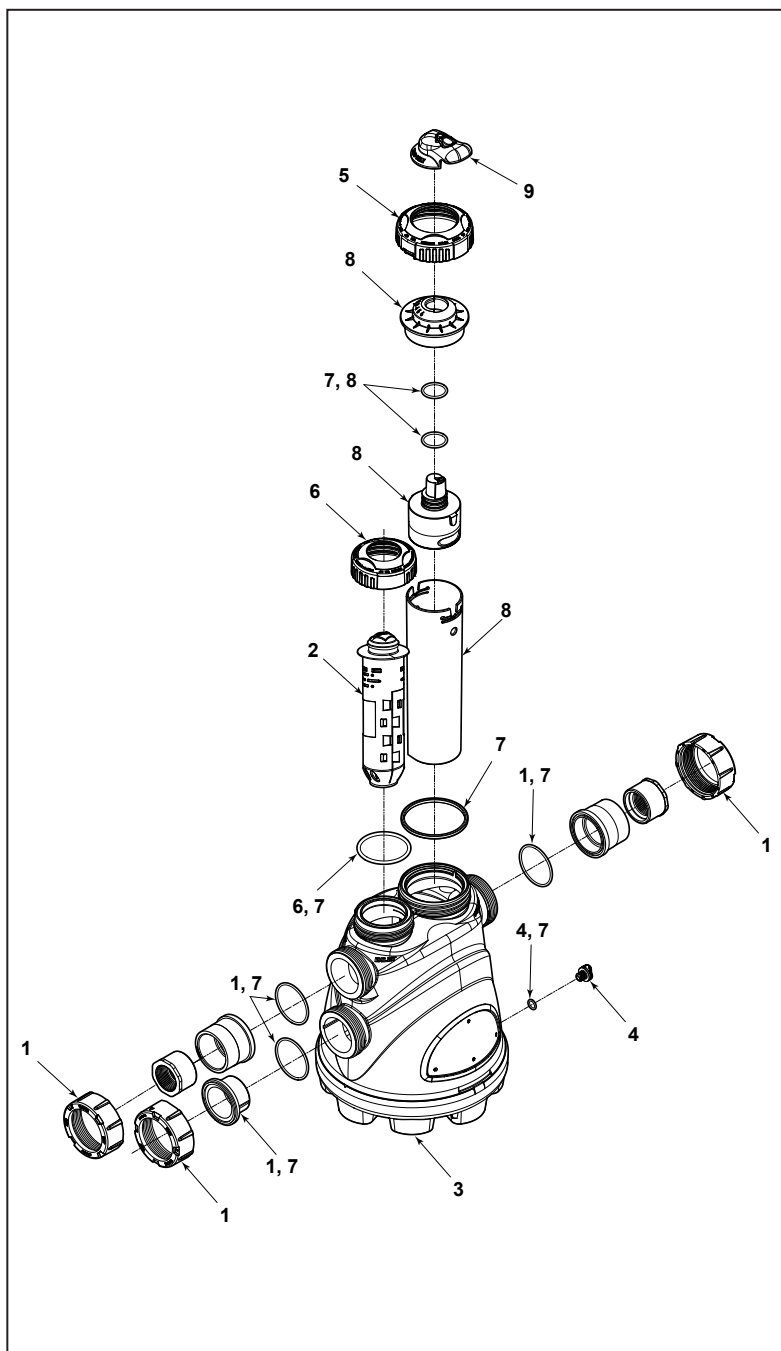


Figure 3. Vue éclatée de l'appareil Nature<sup>2</sup> Vision Pro

# REMARQUES

# REMARQUES

## REMARQUES

**Pour de l'assistance de garantie au Canada :**

Zodiac Pool Systems Canada, Inc.  
2115 South Service Road West Unit 3  
Oakville, ON L6L5W2  
1 888 647-4004 | [www.zodiacpoolsystems.ca](http://www.zodiacpoolsystems.ca)

**Zodiac Pool Systems, Inc.**

2620 Commerce Way, Vista, CA 92081  
1 800 822-7933 | [www.ZodiacPoolSystems.com](http://www.ZodiacPoolSystems.com)

*ZODIAC® est une marque déposée de Zodiac International, SASU, utilisée sous licence.  
Toutes les marques déposées susmentionnées dans le présent document sont la propriété  
de leurs propriétaires respectifs.*

© 2013 Zodiac Pool Systems, Inc. H0347600 Rév B 1301

