

# Nature<sup>2</sup>® Fusion Soft Vessel Assembly Replacement Kit

## WARNING

**FOR YOUR SAFETY** - This product must be installed and serviced by a contractor who is licensed and qualified in pool equipment by the jurisdiction in which the product will be installed where such state or local requirements exist. In the event no such state or local requirement exists, the maintainer must be a professional with sufficient experience in pool equipment installation and maintenance so that all of the instructions in this manual can be followed exactly. Before installing this product, read and follow all warning notices and instructions that accompany this product. Failure to follow warning notices and instructions may result in property damage, personal injury, or death. Improper installation and/or operation will void the warranty. Improper installation and/or operation can create unwanted electrical hazard which can cause serious injury, property damage, or death.

These instructions are to be used with the following Replacement Kit:

### R0502000 -- Nature<sup>2</sup> Fusion Soft Vessel Assembly Replacement Kit

This document gives instructions for installing the Nature<sup>2</sup> Fusion Soft Vessel assembly.

For technical assistance, please contact our Technical Support Department at (800) 822-7933.

All of the instructions must be followed exactly. Read through these instructions completely before starting the procedure.

## WARNING

To reduce the risk of electric shock, fire or injury, service should only be attempted by a qualified Pool Service Professional.

When using electrical products, basic precautions should always be followed, including the following:

- **DANGER: RISK OF ELECTRIC SHOCK WHICH CAN RESULT IN SERIOUS INJURY OR DEATH.** Before attempting installation or service, ensure that all power to the device is disconnected/turned off at the circuit breaker.
- Grounding is required. The unit should be installed by a qualified service representative and should be properly grounded.
- Install to permit access for servicing.
- **Before attempting any electrical wiring, be sure to read and follow Safety Instructions in the Installation and Operation Manual. Wiring should only be attempted by a qualified professional.**

## CAUTION

To avoid personal injury when working with pool chemicals, always wear rubber gloves and eye protection, cover exposed skin, and work in a well ventilated area. Use caution when choosing a location to open and use chemicals as they may damage any surface into which they come in contact. If any chemical gets on your skin, rinse the area immediately with water. If any chemical gets on your clothing, immediately remove the piece of clothing and rinse with water.

### 1. Removal of the Nature<sup>2</sup> Fusion Soft Vessel Assembly

1. Unplug the DC cord from electrolytic cell. See Figure 1.

## WARNING

Always turn pump off prior to installing or removing any components from the pool's plumbing. Your pump/filter system is operated under pressure and pressure must be released before you begin to avoid system damage or personal injury. Open the air relief valve on your pool filter to release the pressure in the system.

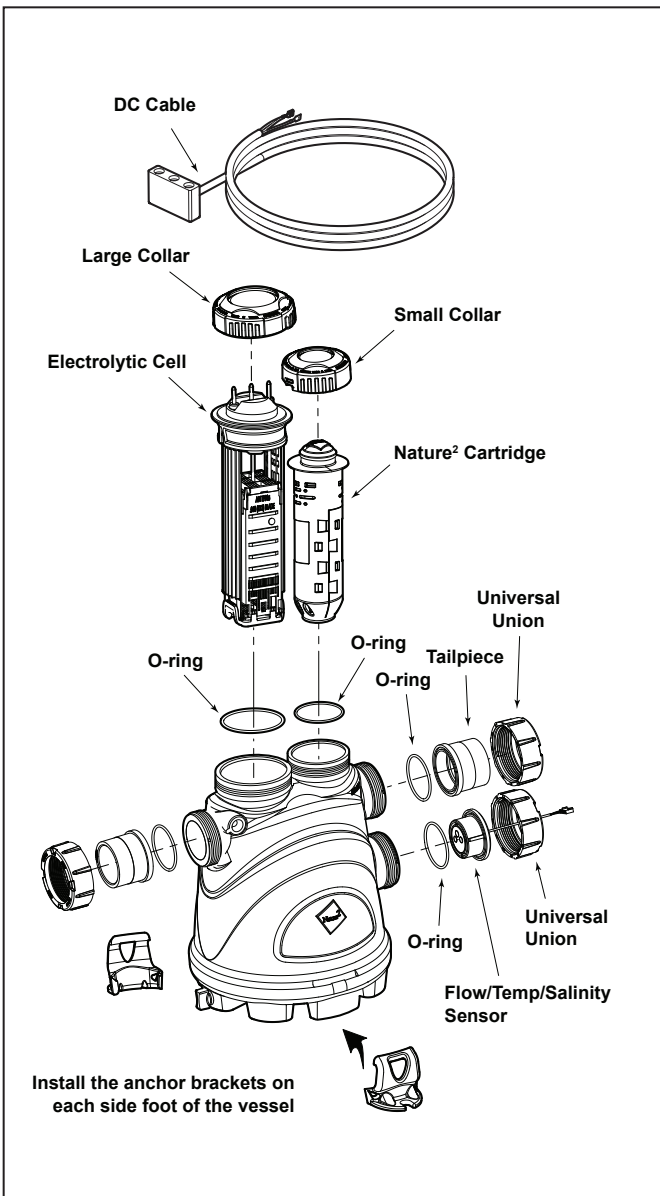
2. Run the pool pump and filter for five (5) minutes. After this time turn off the pool pump.



3. Unscrew and remove the retaining nut, the flow/temp/salinity sensor, the universal union, and the O-ring from the sensor port on the vessel.
4. Unscrew the universal union nuts from the inlet and outlet ports of the vessel. Make sure nuts clear threads on vessel.
5. If the vessel is anchored to the equipment pad, remove screws and washers that secure the vessel. Save the screws and washers for reinstallation.
6. Remove the O-rings from the inlet and outlet tail pieces. Save the O-rings for reinstallation.
7. Unscrew and remove the chlorine cell and Nature<sup>2</sup> cartridge from the vessel. Save the cell, cartridge, and O-rings for reinstallation.

## 2. Installation of the new Nature<sup>2</sup> Fusion Vessel Assembly

1. Make sure the pool pump is turned off.
2. If anchoring is required, manually snap on the two (2) clip-type anchor bracket onto the side feet of the vessel. Make sure these anchor brackets are attached firmly to the feet of the vessel. See Figure 1.
3. Install the new vessel assembly and secure it with the hardware previously removed. Make sure that the inlet and outlet ports are aligned with their proper locations.
4. Replace the O-rings on the tail pieces and reconnect the universal unions by hand tightening them to the vessel.



**⚠ WARNING**

Be careful not to get finger caught between inlet union and plug when tightening as this may cause an injury.

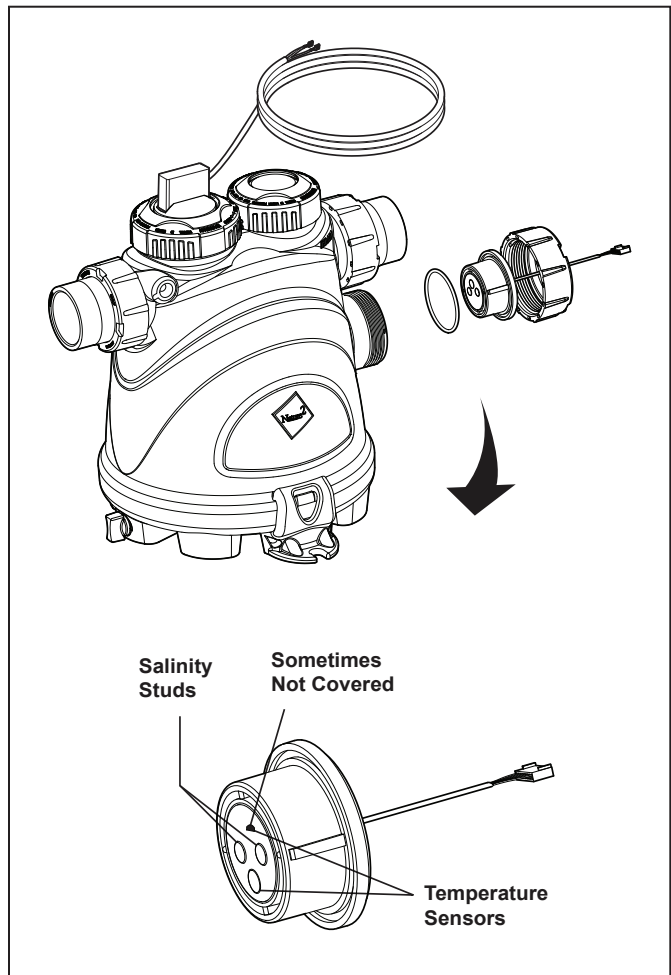


Figure 1. Nature<sup>2</sup> Vessel Installation

Figure 2. Installation of the Flow/Temp/Salinity Sensor

5. Plug the DC cord into the electrolytic cell. Press cable down firmly onto posts.
6. Remove retaining nut and plug from sensor port.
7. Reinstall flow/temp/salinity sensor onto the vessel. See Figure 2.
8. Reset valves and switches. Turn the pump and sanitizer on and check for leaks. Wait five (5) minutes for system to go through its diagnostic.
9. Turn the power off and back on in order to recalibrate and reset the flow/temp/salinity sensor. Reset anytime the flow/temp/salinity sensor is unplugged.

**⚠ CAUTION**

To avoid risk of damage to the equipment and possible injury, it is important to make sure the DC cable connector is fully seated on the electrolytic cell stud terminals.

10. For operating instructions, please refer to the Nature<sup>2</sup>® Fusion Installation and Operation Manual, originally supplied with the product.

### 3. Parts List

The following table is for your reference. To order additional parts, please contact your local distributor.

DESCRIPTION	R0502000
Vessel Assembly	1
Bracket, Anchor	1
Instructions	1



H0344800-



**ZODIAC POOL SYSTEMS, INC.**

6000 Condor Drive • Moorpark, CA • 93021  
Tel: 800-822-7933 • Fax: 877-327-1403