

Jandy® AquaPure® Ei™ Series Replacement Kits

for Models APURE35/35C, APURE35PLG/35PLGC

WARNING

FOR YOUR SAFETY - For anything other than the routine cleaning and maintenance described in this manual, this product must be serviced by a contractor who is licensed and qualified in pool equipment by the jurisdiction in which the product will be installed where such state or local requirements exists. In the event no such state or local requirement exists, the installer or maintainer must be a professional with sufficient experience in pool equipment installation and maintenance so that all of the instructions in this manual can be followed exactly. Before installing this product, read and follow all warning notices and instructions that accompany this product. Failure to follow warning notices and instructions may result in property damage, personal injury, or death. Improper installation and/or operation will void the warranty.

Improper installation and/or operation can create unwanted electrical hazard which can cause serious injury, property damage, or death.

These instructions are to be used with the following Jandy Replacement Parts:

R0511400 -- R-Kit, APURE35 Electrode

1. Introduction

This document gives instructions for replacing the electrode on the Jandy AquaPure Ei chlorine generating device.

The instructions were written with safety as the priority and must be followed exactly. Not following the written procedure or taking shortcuts may increase the risk of personal injury. Read through the instructions completely before starting the procedure.

For technical assistance, please contact our Technical Support Department at 1.800.822.7933.

2. Ordering Information

To order or purchase parts for the Jandy AquaPure Ei chlorine generating device, contact your nearest Jandy dealer or distributor. If they cannot supply you with what you need, call Zodiac Pool Systems, Inc., at 1.800.822.7933. In Canada call Zodiac Pool Systems Canada, Inc. Customer Support Department at 1.888.647.4004.

3. Replacing the Electrode

WARNING

Disconnect power to the system at the main circuit breaker before performing this procedure to avoid risk of electric shock which can result in property damage, severe injury or death.

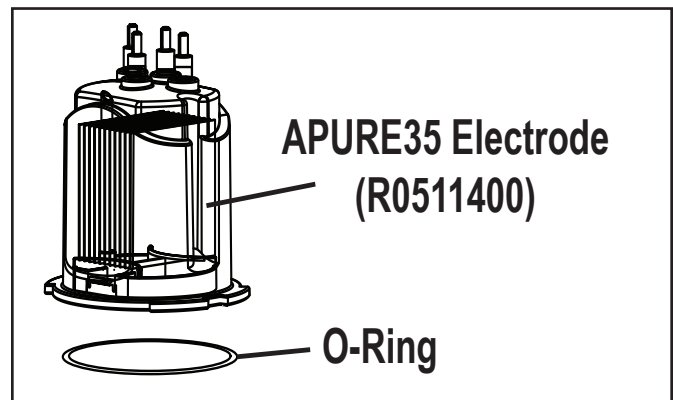


Figure 1. Exploded Cell Diagram

A. Replacing the Electrode

1. Ensure that all power to the power pack and the controller is disconnected/turned off at the circuit breaker. For model APURE35PLG/35PLGC, unplug the power pack from the power source.
2. Shut off any necessary valves to prevent any water loss.
3. Remove the terminal cap and cell leads.
4. Remove the locking ring. If necessary use the locking ring tool (R0512600) (see Figure 2).
5. Remove the electrode and the o-ring (see Figure 2).

NOTE A replacement o-ring is supplied with the Electrode R-Kit. If needed, extra o-rings can be ordered (O-Ring R-Kit - R0511600).

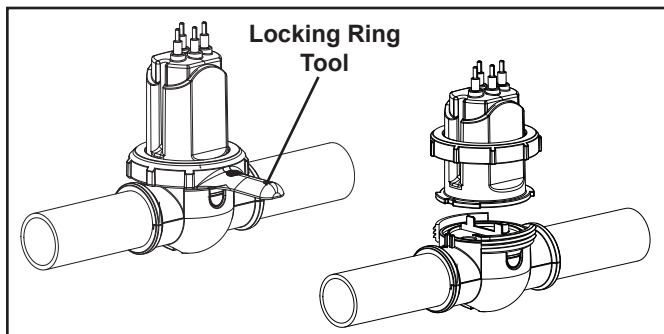


Figure 2. Removing the Cell

6. Insert the o-ring into the channel on the clamp. Install the electrode.
7. Position the locking ring in proper alignment, making sure the bump aligns with the top thread (see Figure 3).

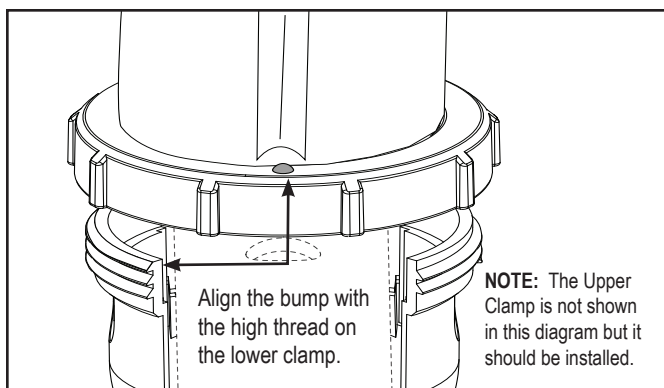


Figure 3. Locking Ring Alignment

8. Screw down the locking ring to the threaded clamp using the locking ring tool.

NOTE Ensure the locking ring is level when engaging the threading clamp (see Figure 4).

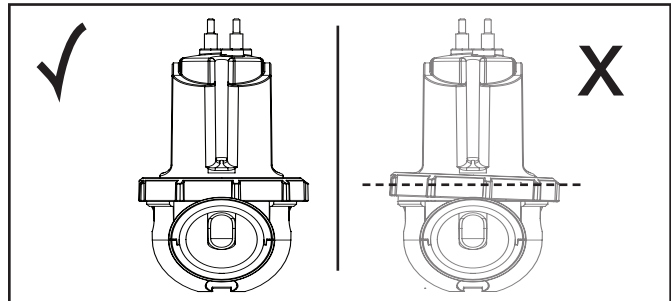


Figure 4. Locking Ring Level

9. Securely connect the cell leads to the like colored terminals (see Figure 5).

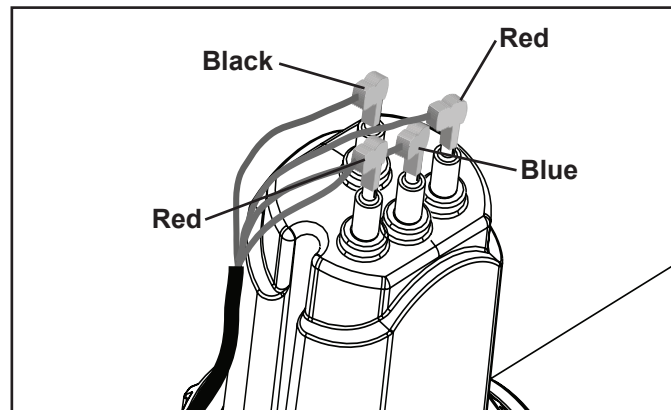


Figure 5. Connecting Cell Leads

10. Attach the terminal cap.
11. Reconnect the power.