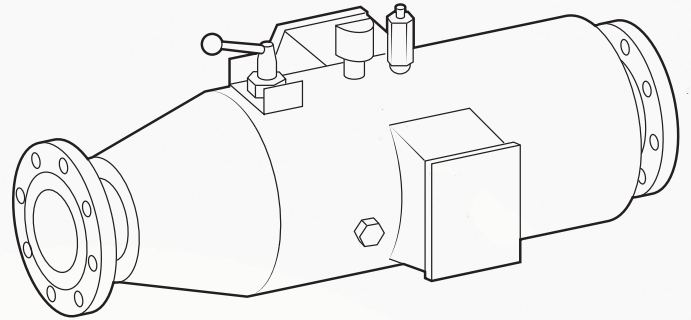




Jandy Commercial Medium-Pressure UV System

Large-scale UV sanitization for high-use commercial pools

Reliable and long-lasting, the Jandy Medium-Pressure UV System is designed to deliver cleaner, clearer, safer water for high-use commercial pool applications.



Product features

- Capable of neutralizing chloramines and pathogens, including cryptosporidium
- Emits a broad UV spectrum that is more effective at chloramine reduction for commercial pools with a high bather load
- Automatically sets the lamp power based on flow and UV output - to increase lamp life
- 8,000-hour UV lamp delivers excellent efficiency at $60\text{mJ}/\text{cm}^2$

Unparalleled on-board communication for easy maintenance

Displays:

- Lamp intensity, voltage, amperage and power
- Water flow and temperature
- Lamp capacity in percentage
- Ballast and lamp status
- Lamp and device hours
- Radiation
- Logs and displays historic data
- Diagnostics for ballast and power circuit

Product specifications

- Stainless steel 316L body
- ANSI flange connections
- Manual or automatic sleeve lamp wiping system
- Comes standard with UV, temperature, and flow sensors
- Full-flow design treats all the circulated water as it passes through
- 5.4" TFT color touchscreen
- Self-cooled electric board
- NSF-50 listed with Crypto inactivation validation

Alarm for:

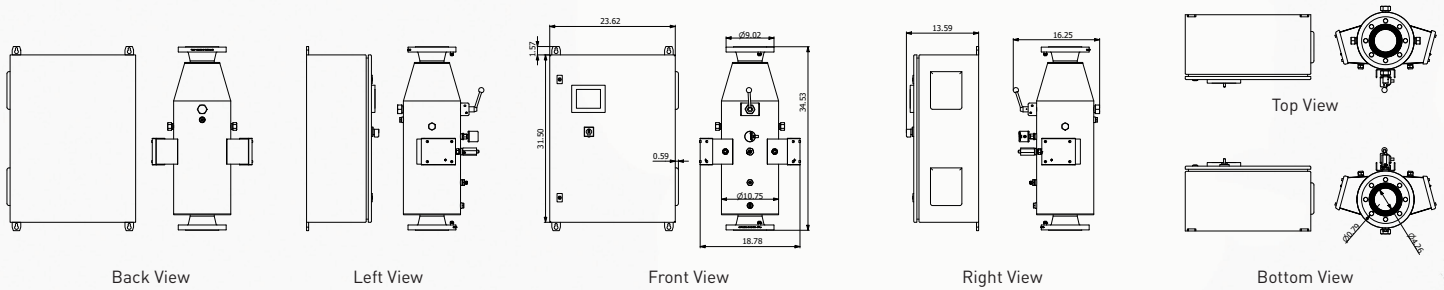
- Ballast or lamp failure
- Low flow
- Low radiation
- High temperature
- Control panel overheating

SPECIFICATIONS

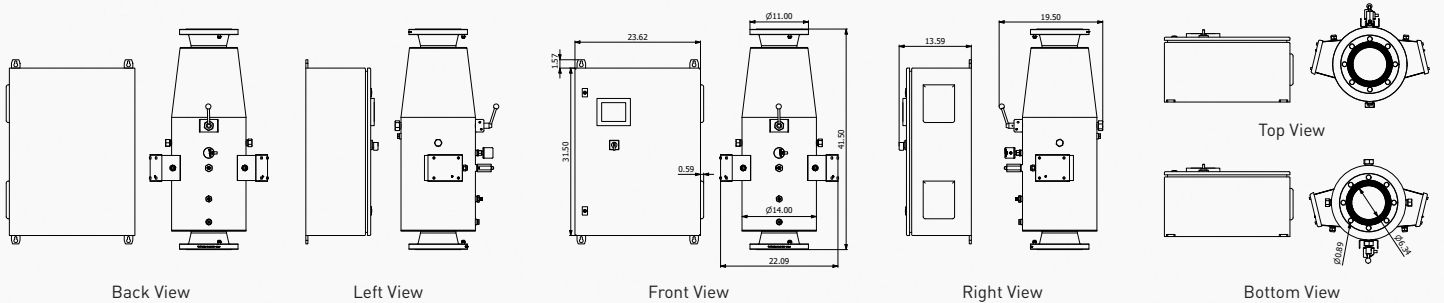
Part Number	Max Flow Rate*	Lamps (Nominal Power - W)	Lamps (UVC)	Number of Lamps	Voltage	ANSI Flange Connection
JUVMP120	110	700	105	1	230/60HZ/1ph	4"
JUVMP200	175	1000	150	1	230/60HZ/1ph	4"
JUVMP320	310	3000	450	1	230/60HZ/1ph	4"
JUVMP700	600	450	1	230/60HZ/1ph	4"	

*UVT = 94%

JUVMP 120, 200 and 320



JUVMP 700



A Fluidra Brand | Jandy.com | 1.800.822.7933

©2022 Zodiac Pool Systems LLC. All rights reserved. ZODIAC® is a registered trademark of Zodiac International, S.A.S.U., used under license. All other trademarks are the property of their respective owners. 48370_SL

