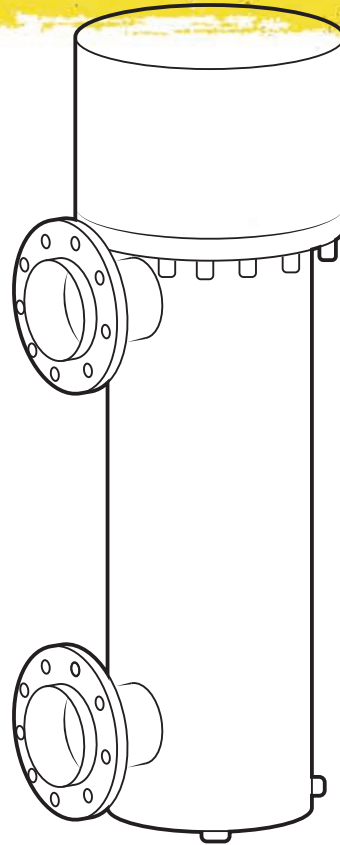




# JANDY COMMERCIAL LOW-PRESSURE UV SYSTEM

## UV Sanitization For Commercial Pools

The Jandy Low-Pressure UV System is a low-maintenance sanitizing system specifically engineered to neutralize harmful pathogens and provide fresher, clearer water for commercial pool applications.



### Feature Bullets

- Capable of neutralizing chloramines and pathogens
- Emits a broad UV spectrum that is more effective at chloramine reduction for commercial pools, spas, and splash pads
- Convenient on-board communication for easy maintenance
  - » Displays each lamp and device run hours
  - » Displays each ballast and lamp status
  - » Alarm for ballast or lamp failure
  - » Alarm for no flow
  - » Alarm for UV reactor cover open
- Lower power consumption resulting in reduced costs, compared to Medium-Pressure UV Systems
- Easy maintenance; does not require regular cleaning
- Compact design for installation flexibility
- 13,000-hour UVC lamp delivers excellent efficiency
- Commercial-grade polyethylene body with stainless steel liner
- UV sensor, flow switch, and 3.4" TFT monochrome touchscreen
- Self-cooled electronics
- NSF-50 and UL certifications



## UV Low-Pressure System Specifications

Part No.	Max Flow Rate (GPM)	Lamps (Nominal Power - W)	Lamps (UVC)	# Lamps	Voltage	Connection
JUVLP100	105 gpm	270	90	3	120V/60Hz/1ph	3"
JUVLP150	140 gpm	360	120	4	120V/60Hz/1ph	3"
JUVLP200	175 gpm	450	150	5	120V/60Hz/1ph	4"
JUVLP250	210 gpm	540	180	6	120V/60Hz/1ph	4"

## UV Sanitization System Dimensions

