



INSTALLATION MANUAL

Jandy Valve Actuator Relay Board Kit

⚠ WARNING

FOR YOUR SAFETY - All service work on Jandy Control Systems must be performed only by licensed service personnel. Attempts to install this equipment by unlicensed persons will not only void the warranty, but also present risk of injury and death by electric shock.

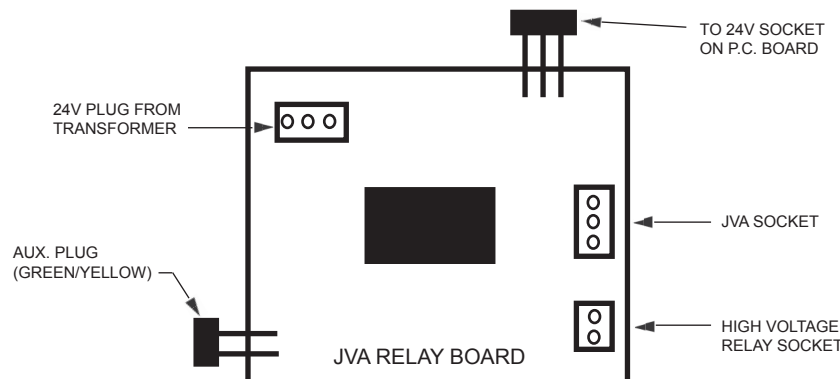
⚠ WARNING

Failure to turn off all power before starting installation presents the risk of injury or death by electric shock.

A Jandy® Valve Actuator (JVA) Relay Board allows you to activate a JVA from an auxiliary button. Using this relay board allows you to add another JVA to a Jandy Control that previously had no JVA sockets available. You may also activate an auxiliary function (high voltage relay) in conjunction with this JVA.

How to install the Relay Board.

1. To mount the JVA relay board, turn off all power to the Jandy control at the circuit breaker. Open the Power Center low voltage compartment. Use the self-adhesive backing on the JVA relay board to attach it to the back of this compartment.
2. To connect JVA relay board to the P.C. board, plug the green/yellow coil connector from the JVA relay board into the relay coil socket for the circuit which is to activate the JVA on the power center P.C. board.
3. Plug the JVA you want to control into the JVA socket on the JVA relay board.
4. If you want an auxiliary piece of equipment to activate whenever the JVA is activated, plug the relay coil connector for the auxiliary equipment into the relay coil socket on the JVA relay board.
5. Disconnect the orange 24V three-pin connector from the power center P.C. board (use the P.C. board wiring diagram to locate this plug). Plug it into the 24V power socket on the JVA relay board. Connect the orange plug running from the JVA relay board into the 24V socket on the power center P.C. board (the same socket you just removed the 24V plug from).
6. Turn on all power to the Jandy Control at the circuit breaker. Test the new JVA relay board by pressing the button on the controller that corresponds to the socket that you plugged the JVA relay board into. The JVA should turn. If you connected a high voltage relay to the JVA relay board, the auxiliary equipment connected to that relay should also operate.



Zodiac Pool Systems, Inc.
2620 Commerce Way, Vista, CA 92081
1.800.822.7933 | www.ZodiacPoolSystems.com

ZODIAC® is a registered trademark of Zodiac International, S.A.S.U., used under license.
All trademarks referenced herein are the property of their respective owners.

©2014 Zodiac Pool Systems, Inc. 5270_REV G