

ePUMP 2.2 & 2.7 HP  
VARIABLE-SPEED PUMP



Jandy®

**THE BEST POOLS  
BEGIN WITH  
THE BEST PUMP**



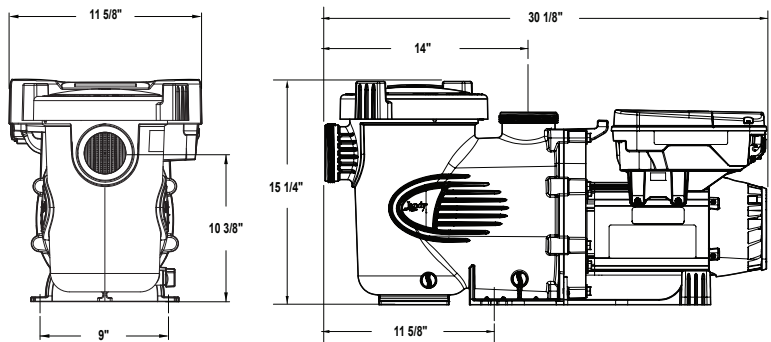
**ePUMP™**  
VARIABLE-SPEED PUMP

# The Jandy® ePump™ is designed for energy savings, efficient operation and easy maintenance.

When building a high-end pool, you want a high-end pump. The ePump is a high-performance, low-maintenance, energy-saving variable-speed pool pump, in a large-sized body.

- Maximum Savings**  
 Save over \$1,100<sup>1</sup> per year in energy costs! The ePump allows for dramatic energy savings compared to high energy consuming single-speed pumps.
- Improved Performance, Reduced Maintenance**  
 Small pump baskets fill faster — restricting flow and eroding performance. The ePump features the largest capacity smooth surface basket in the industry for reduced maintenance and improved performance.
- Less Noise**  
 “Quiet Pump” technology controls flow dynamics within the pump, resulting in less hydraulic noise — allowing you to simply enjoy a peaceful day by your pool.
- Maximum Convenience**  
 Two auxiliary relays enable instant automation for your pump — plus two additional pieces of equipment — such as a booster pump or salt chlorinator.
- Multiple Control Options**  
 Programmable and customizable control options with Jandy AquaLink® automation systems, iQPUMP01, or the JEP-R controller (controller sold separately).
- No Rewiring Necessary**  
 Auto-sensing dual voltage motor automatically recognizes and adapts to 115- or 230-volt power supplies.
- Additional Features**
  - Available in 2.2 and 2.7 HP models
  - RS485 Quick Connect Port for faster installation and maintenance
  - Dry contact relay control
  - Easy Controller Setup auto detects connection to an automation system or a traditional controller, eliminating the need to adjust settings manually
  - 2" x 2.5" unions included / 2.5" x 3" compatible<sup>2</sup>
  - Ergonomic carry handle for easy installation
  - Tool free lid allows for quick and easy cleaning of the pump basket
  - Zero Clearance Totally Enclosed Fan-Cooled (TEFC) permanent magnet brushless DC motor that provides cooler operation and extended motor life.

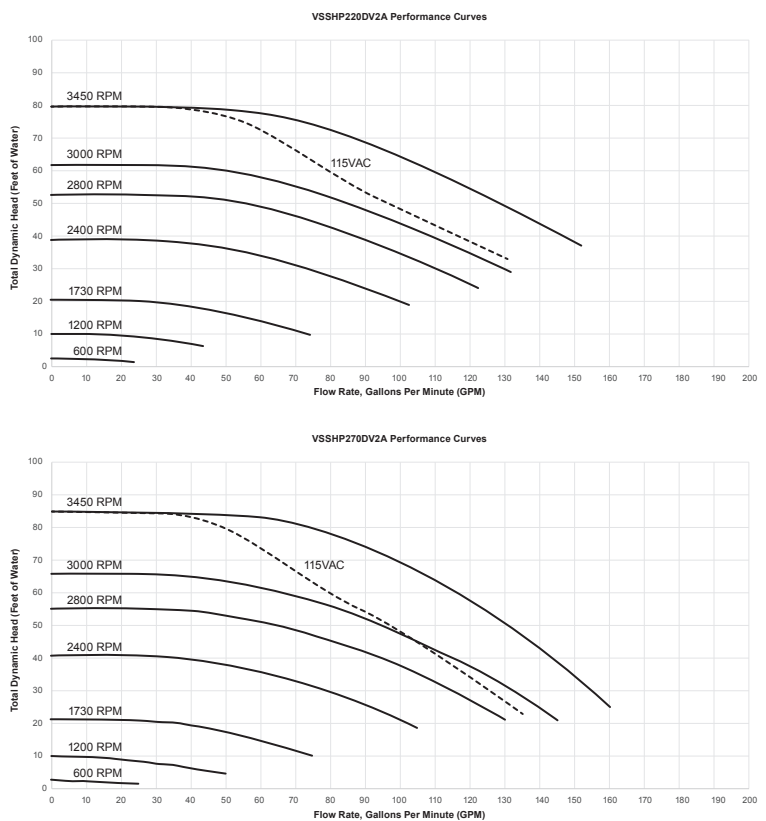
## DIMENSIONS



## SPECIFICATIONS

Model No.	THP	WEF <sup>3</sup>	Voltage	Max Watts	Amps	Union Size	Rec. Pipe Size <sup>4</sup>	Carton Weight	Overall Length
VSSH220DV2A	2.21	8.5	230 VAC	2,190W	10.5	2" x 2 1/2"	2" - 3"	71 lbs.	30 1/8"
		8.8	115 VAC	1,660W	16.0				
VSSH270DV2A	2.70	7.5	230 VAC	2,370W	10.5	2" x 2 1/2"	2" - 3"	71 lbs.	30 1/8"
		7.7	115 VAC	1,675W	16.0				

## PERFORMANCE



<sup>1</sup>Based on a 28,000 gallon pool with 2 turnovers per day at an average power cost of 0.195/kWh; when tested in accordance with the applicable requirements of 10 CFR 429.

<sup>2</sup>R-Kit R0446102 includes two unions, O-rings and 2.5" x 3" tailpieces

<sup>3</sup>WEF = weighted energy factor in kgal/kWh. WEF is a performance-based metric adopted by the Department of Energy to characterize the energy performance of dedicated-purpose pool pumps. Department of Energy 10 CFR Parts 429 and 431.

<sup>4</sup>Always follow local building and safety codes for pipe sizing and guidelines.

Jandy.com | 1.800.822.7933

©2020 Zodiac Pool Systems LLC. All rights reserved. ZODIAC® is a registered trademark of Zodiac International, S.A.S.U., used under license. All other trademarks are the property of their respective owners. 5489\_SL

