

FHP

Single- and Two-Speed Pumps

Models: FHPM.75
FHPM1.0
FHPM1.0-2

Essential installation and startup instructions are included in this manual. Additional operation and troubleshooting information is available online by scanning the QR code with your phone or visiting jandy.com



⚠ WARNING

FOR YOUR SAFETY – This product must be installed and serviced by a contractor who is licensed and qualified in pool equipment by the jurisdiction in which the product will be installed where such state or local requirements exist. The maintainer must be a professional with sufficient experience in pool equipment installation and maintenance so that all of the instructions in this manual can be followed exactly. Before installing this product, read and follow all warning notices and instructions that accompany this product. Failure to follow warning notices and instructions may result in property damage, personal injury, or death. Improper installation and/or operation may void the warranty.

Improper installation and/or operation can create unwanted electrical hazard which may cause serious injury, property damage, or death.



ATTENTION INSTALLER – This manual contains important information about the installation, operation and safe use of this product. This information should be given to the owner/operator of this equipment.

Table of Contents

Section 1. Important Safety Instructions 3
 1.1 Safety Instructions 3
 1.2 Pool Pump Suction Entrapment Prevention Guidelines 4

Section 2. Manual Usage..... 5
 2.1 Introduction..... 5

Section 3. Installation 5
 3.1 Plumbing..... 5
 3.2 Electrical Installation 9
 3.3 Pressure Testing 10

Section 4. Operation 10
 4.1 Start-up..... 10

Section 5. Service and Maintenance..... 11
 5.1 Clean Pump Basket 11
 5.2 Winterizing the Pump..... 11

Section 6. Troubleshooting 12
 6.1 Troubleshooting 12

Section 7. Product Specifications and Technical Data 13
 7.1 Replacement Parts List..... 13
 7.2 FHP Exploded View 14
 7.3 Performance Curves 14
 7.4 Physical and Operational Specifications 15

EQUIPMENT INFORMATION RECORD	
DATE OF INSTALLATION	_____
INSTALLER INFORMATION	_____
INITIAL PRESSURE GAUGE READING (WITH CLEAR FILTER)	_____
PUMP MODEL	HORSEPOWER
_____	_____
NOTES	_____
_____	_____
_____	_____

Section 1. Important Safety Instructions

READ AND FOLLOW ALL INSTRUCTIONS

1.1 Safety Instructions

All electrical work must be performed by a licensed electrician and conform to all national, state, and local codes. When installing and using this electrical equipment, basic safety precautions should always be followed, including the following:

⚠ WARNING

RISK OF SUCTION ENTRAPMENT HAZARD, WHICH, IF NOT AVOIDED, CAN RESULT IN SERIOUS INJURY OR DEATH. Do not block pump suction as this can cause severe injury or death. Do not use this pump for wading pools, shallow pools or spas containing bottom drains, unless the pump is connected to at least two (2) functioning suction outlets, and/or in accordance with the latest version of ANSI®/PHTA®/ICC-7 the standard for Suction Entrapment Avoidance in Swimming Pools, Wading Pools, Spas, Hot Tubs, and Catch Basins. Suction outlet (drain) assemblies and covers must be certified to the latest published version of ANSI®/ASME® A112.19.8, or its successor standard, ANSI/APSP-16.

To reduce the risk of injury, do not permit children to use this product.

To reduce the risk of property damage or injury, do not attempt to change the backwash (multiport, slide, or full flow) valve position with the pump running.

Jandy pumps are powered by a high voltage electric motor and must be installed by a licensed or certified electrician or a qualified swimming pool service technician.

RISK OF ELECTRIC SHOCK, FIRE, PERSONAL INJURY, OR DEATH. Connect only to a branch circuit that is protected by a ground-fault circuit-interrupter (GFCI). Contact a qualified electrician if you cannot verify that the circuit is protected by a GFCI. A GFCI should be provided by the installer and should be tested on a routine basis. To test the GFCI, push the test button. The GFCI should interrupt power. Push the reset button. Power should be restored. If the GFCI fails to operate in this manner, the GFCI is defective. If the GFCI interrupts power to the pump without the test button being pushed, a ground current is flowing, indicating the possibility of electrical shock. Do not use the pump. Disconnect the pump and have the problem corrected by a qualified service representative before using.

Due to the potential risk of fire, electric shock, or injuries to persons, Jandy pumps must be installed in accordance with the National Electrical Code® (NEC®), all local electrical and safety codes, and the Occupational Safety and Health Act (OSHA®). Copies of the NEC may be ordered from the National Fire Protection Association® (NFPA®) online at www.nfpa.org or call 617-770-3000, or contact your local government inspection agency.

Incorrectly installed equipment may fail, causing severe injury or property damage.

- Do not connect the system to an unregulated city water system or other external source of pressurized water producing pressures greater than 35 PSI.
- Trapped air in system can cause the filter lid to be blown off, which can result in death, serious personal injury, or property damage. Be sure all air is out of the system before operating.

To minimize the risk of severe injury or death the filter and/or pump should not be subjected to the piping system pressurization test.

Local codes may require the pool piping system to be subjected to a pressure test. These requirements are generally not intended to apply to the pool equipment such as filters or pumps.

Zodiac® pool equipment is pressure tested at the factory.

However, if the WARNING cannot be followed and pressure testing of the piping system must include the filter and/or pump, BE SURE TO COMPLY WITH THE FOLLOWING SAFETY INSTRUCTIONS:

- Check all clamps, bolts, lids, lock rings and system accessories to ensure they are properly installed and secured before testing.
- **RELEASE ALL AIR** in the system before testing.
- Water pressure for test must NOT EXCEED 35 PSI.
- Water temperature for test must NOT EXCEED 100°F (38°C).
- Limit test to 24 hours. After test, visually check system to be sure it is ready for operation.

NOTICE: These parameters apply to Zodiac equipment only. For non-Zodiac equipment, consult equipment manufacturer.

Chemical spills and fumes can weaken pool/spa equipment. Corrosion can cause filters and other equipment to fail, resulting in severe injury or property damage. Do not store pool chemicals near your equipment.

⚠ CAUTION

Do not start pump dry! Running the pump dry for any length of time will cause severe damage and will void the warranty.

This pump is for use with permanently installed pools and may also be used with hot tubs and spas if so marked. Do not use with storable pools. A permanently installed pool is constructed in or on the ground or in a building such that it cannot be readily disassembled for storage. A storable pool is constructed so that it may be readily disassembled for storage and reassembled to its original integrity.

Do not install within an outdoor enclosure or beneath the skirt of a hot tub or portable spa. The pump requires adequate ventilation to maintain air temperature at less than the maximum ambient temperature rating listed on the motor rating plate.

SAVE THESE INSTRUCTIONS

1.2 Pool Pump Suction Entrapment Prevention Guidelines

⚠ WARNING



SUCTION HAZARD. Can cause serious injury or death. Do not use this pump for wading pools, shallow pools or spas containing bottom drains, unless the pump is connected to at least two (2) functioning suction outlets and/or in accordance with the latest version of ANSI®/PHTA®/ICC-7 the standard for Suction Entrapment Avoidance in Swimming Pools, Wading Pools, Spas, Hot Tub, and Catch Basins.

Pump suction is hazardous and can trap and drown or disembowel bathers. Do not use or operate swimming pools, spa, or hot tubs if a suction outlet cover is missing, broken, or loose. The following guidelines provide information for pump installation that minimizes the risk of injury to users of pools, spas, and hot tubs:

Entrapment Protection - The pump suction system must provide protection against the hazards of suction entrapment.

Suction Outlet Covers - All suction outlets must have correctly installed, screw-fastened covers in place. All suction outlet (drain) assemblies and their covers must be properly maintained. Suction outlets (drain) assemblies and their covers must be listed/certified to the latest version of ANSI®/ASME® A112.19.8 or its successor standard, ANSI/APSP-16. They must be replaced if cracked, broken, or missing.

Number of Suction Outlets Per Pump - Provide at least two (2) hydraulically-balanced main drains, with covers, as suction outlets for each circulating pump suction line. The centers of the main drains (suction outlets) on any one (1) suction line must be at least three (3) feet apart, center to center.

The system *must* be built to include at least two (2) suction outlets (drains) connected to the pump whenever the pump is running. However, if two (2) main drains run into a single suction line, the single suction line may be equipped with a valve that will shut off both main drains from the pump. The system shall be constructed such that it shall not allow for separate or independent shutoff or isolation of each drain. See Figure 1.

More than one (1) pump can be connected to a single suction line as long as the requirements above are met.

Unblockable SOFA - If acceptable by local code and Authority Having Jurisdiction (AHJ), a single unblockable SOFA may be used. For an unblockable SOFA to qualify as an unblockable drain under the Virginia Graham Baker Act (VGBA), the Suction Outlet Fitting Assembly (SOFA) shall be certified as unblockable, and be designated by the manufacturer as unblockable, and the manufacturer's instructions must state the SOFA is authorized for use as an unblockable suction outlet in accordance with ANSI/APSP/ICC-16. Certified unblockable SOFA's must be installed in accordance with the manufacturer's instructions, the latest edition of ANSI/PHTA/ICC-7, and applicable local code.

Water Velocity - The maximum water velocity through the suction outlet assembly and its cover for any suction outlet must not exceed the suction fitting assembly and its cover's maximum design flow rate. The suction outlet (drain) assembly and its cover must comply with the latest version of ANSI/ASME A112.19.8, the standard for Suction Fittings For Use in Swimming Pools, Wading Pools, Spas, and Hot Tub, or its successor standard, ANSI/APSP-16.

If 100% of the pump's flow comes from the main drain system, the maximum water velocity in the pump suction hydraulic system must be six (6) feet per second or less, even if one (1) main drain (suction outlet) is completely blocked. The flow through the remaining main drain(s) must comply with the latest version of ANSI/ASME A112.19.8 or its successor standard, ANSI/APSP-16, the standard for Suction Fittings For Use in Swimming Pools, Wading Pools, Spas, and Hot Tub.

Testing and Certification - Suction outlet assemblies and their covers must have been tested by a nationally recognized testing laboratory and found to comply with the latest version of ANSI/ASME A112.19.8 or its successor standard, ANSI/APSP-16, the standard for Suction Fittings For Use in Swimming Pools, Wading Pools, Spas, and Hot Tub.

Fittings - Fittings restrict flow; for best efficiency use fewest possible fittings (but at least two (2) suction outlets, or certified unblockable SOFA).

Avoid fittings which could cause an air trap.

Pool cleaner suction fittings must conform to applicable International Association of Plumbing and Mechanical Officials (IAPMO) standards.

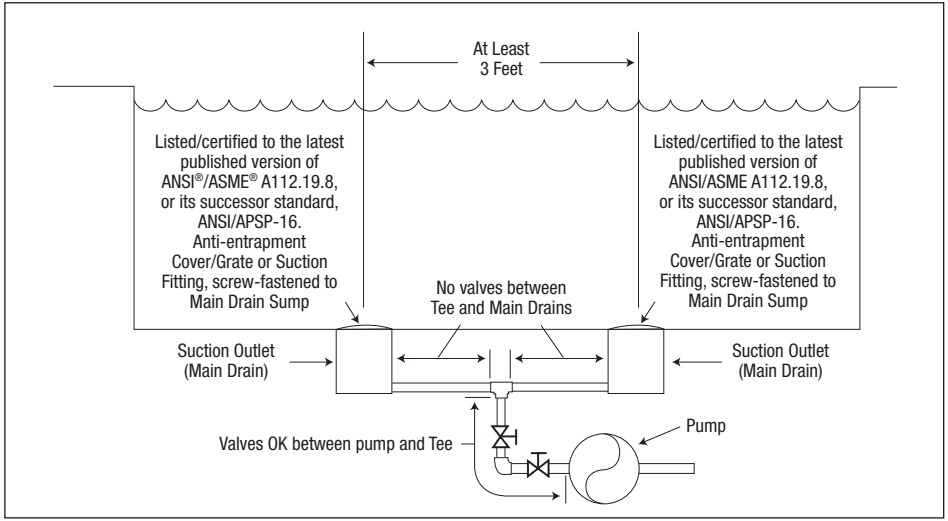


Figure 1. Number of Suction Outlets Per Pump*

***Unblockable SOFA** – If acceptable by local code and Authority Having Jurisdiction (AHJ), a single unblockable SOFA may be used. For an unblockable SOFA to qualify as an unblockable drain under the Virginia Graham Baker Act (VGBA), the Suction Outlet Fitting Assembly (SOFA) shall be certified as unblockable, and be designated by the manufacturer as unblockable, and the manufacturer’s instructions must state the SOFA is authorized for use as an unblockable suction outlet in accordance with ANSI/APSP/ICC-16. Certified unblockable SOFA’s must be installed in accordance with the manufacturer’s instructions, the latest edition of ANSI/PHTA/ICC-7, and applicable local code.

Section 2. Manual Usage

2.1 Introduction

This manual contains information for the proper installation, operation, and maintenance of FHP Pumps (FHPM models). Procedures in this manual must be followed exactly. To obtain additional copies of this manual, contact Zodiac Pool Systems LLC at 1.800.822.7933.

This manual also includes a “Service and Maintenance” and “Troubleshooting” guide in Sections 5 and 6. After installation, provide this manual to the pool owner for reference.

Section 3. Installation

3.1 Plumbing

3.1.1 Preparation

1. Upon receipt of the pump, check the carton for damage. Open the carton and verify all parts are included. Check the pump for concealed damage, such as cracks, dents, or a bent base. If you find damage, contact the shipper or the distributor where the pump was purchased.

3.1.2 Pump Location

⚠ WARNING

To reduce the risk of fire, install pool equipment in an area where leaves or other debris will not collect on or around the equipment. Keep surrounding area clear of all debris such as paper, leaves, pine needles and other combustible materials.

1. To achieve better self-priming, Zodiac Pool Systems LLC recommends installing the pump within 2 feet above water level. While FHPM pumps are certified for 10 feet of self-priming lift, when installed more than 2 feet above water level, a check valve is recommended on the suction line to the pump to assist in maintaining water in the plumbing when the pump is off.

NOTE: Better self-priming will be achieved if the pump is installed as close as possible to the water level of the pool.

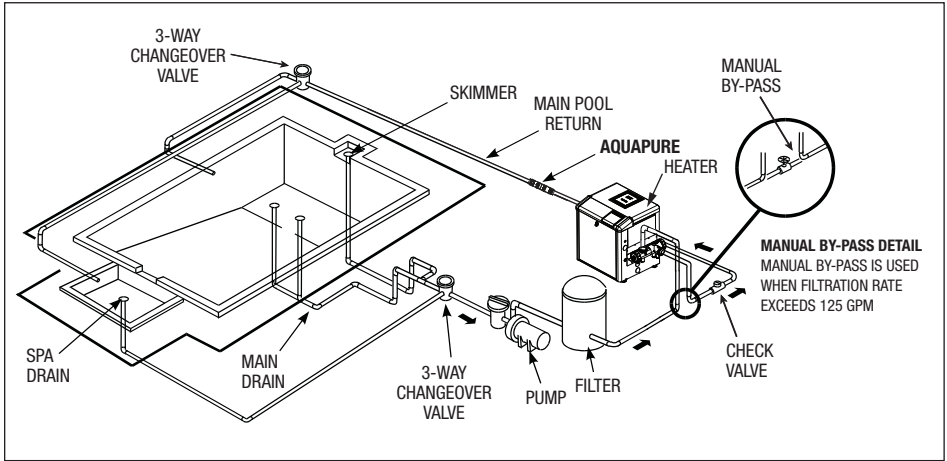


Figure 2. Typical Piping Installation

- If the pump is located below water level, isolation valves *must* be installed on both the suction and return lines to prevent the back flow of pool water during any routine or required servicing.

⚠ WARNING

Some Safety Vacuum Release System (SVRS) devices are not compatible with installation of check valves. If the pool has an SVRS device, be sure to confirm that it will continue to safely operate when any check valves are installed.

- Install the pump such that any disconnecting means and/or junction boxes for power connection are within sight of the pump and at least five (5) feet horizontally from the edge of the pool and/or spa. Choose a location that will minimize turns in the piping.

NOTE: In Canada, the minimum distance maintained from the edge of the pool and/or spa as noted above must be 3 meters (10 feet), as required by the Canadian Electrical Code (CEC, CSA C22.1).

- The pump should be installed on a firm, solid, and level surface to avoid risk of settlement. Do not use sand to level the pump as sand will wash away. Check local building codes for any additional requirements (Ex. Equipment pads in Florida must be concrete and equipment must be secured to the pad.)

NOTE: Zodiac Pool Systems LLC recommends bolting the pump directly to the foundation.

- The pump foundation must have adequate drainage to prevent the motor from getting wet. The pump needs to be protected from the rain and sun.
- Proper ventilation is required for the pump to operate normally. All motors generate heat that must be removed by providing proper ventilation.
- Provide access for future service by leaving a clear area around the pump. Allow plenty of space above the pump to remove the lid and basket for cleaning.
- If the equipment is under cover, provide adequate lighting.

3.1.3 Replacement of Existing Pump

Jandy FHPM pumps can be used to replace other pumps in the aftermarket by utilizing the included adjustable base and spacers. refer to Figure 3 for a list of pumps that can be replaced and the base configurations to use. Note the large base (Option 4) is sold separately (R-kit R0546400).

3.1.3.1 Using Small Base with Spacers

- Using a hand cutter tool, cut the plastic bars connecting the top and bottom sets of spacers.
- Push the two (2) top spacers and two (2) bottom spacers out of the base.
- Align the pins in the four (4) spacers with the holes in the base and snap the spacers into place.

Base Configuration	Suction Side Height	Pump Height
1. Pump without Base	7 3/4"	12 3/4"
2. Pump with Base	8 7/8"	13 7/8"
3. Pump with Base and Spacers	9 1/8"	14 1/8"
4. Pump with Small + Large Base	10 3/4"	15 3/4"

Table 1. Adjustable Base Dimensions

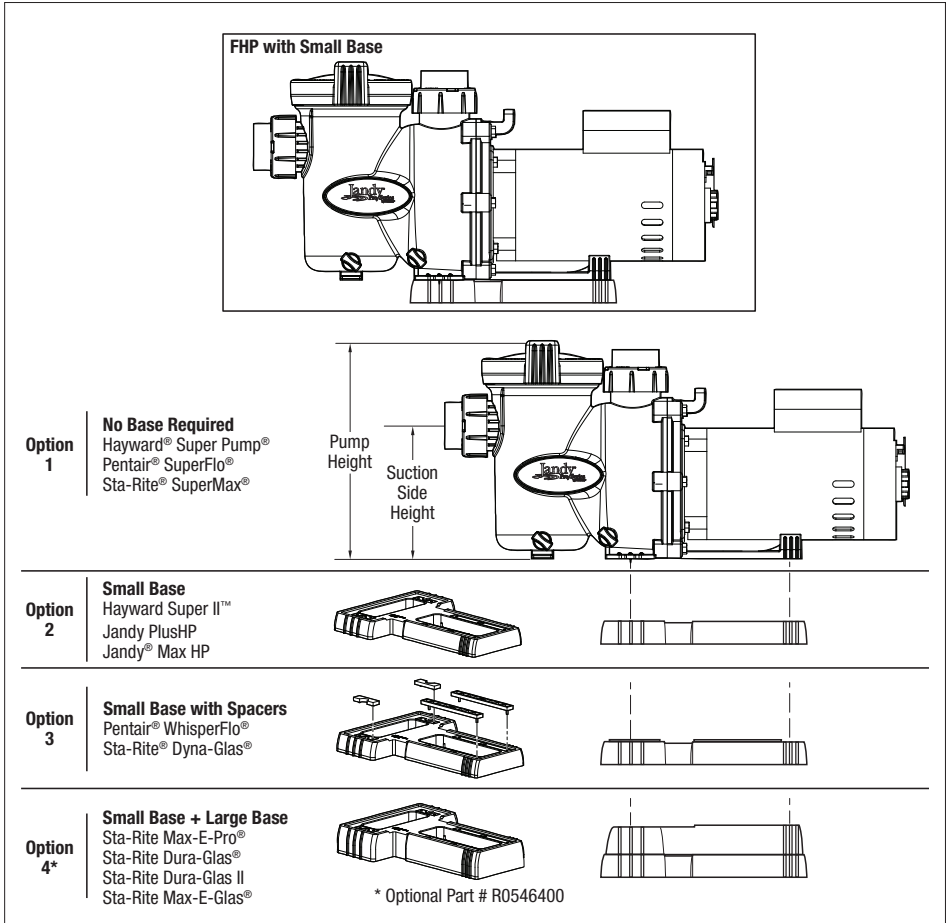


Figure 3. FHP Pump and Base Options

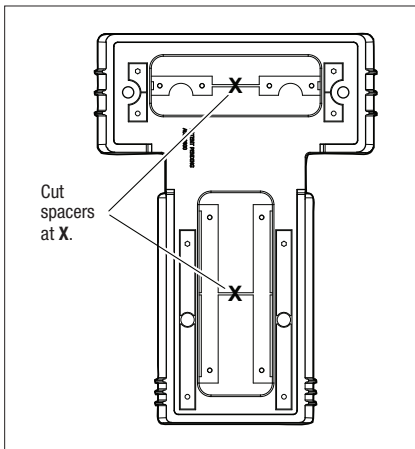


Figure 4. Cut Sets of Spacers Out of Base

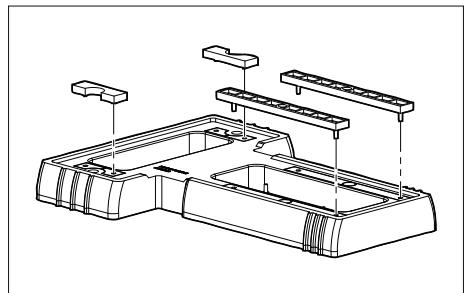


Figure 5. Snap Spacers into Place

Hayward® and Super Pump® are registered trademarks of Hayward Industries, Inc.

Pentair® is a registered trademark of Pentair, Inc.

SuperFlo® and WhisperFlo® are registered trademarks of Pentair Water Pool and Spa, Inc.

3.1.4 Pipe Sizing

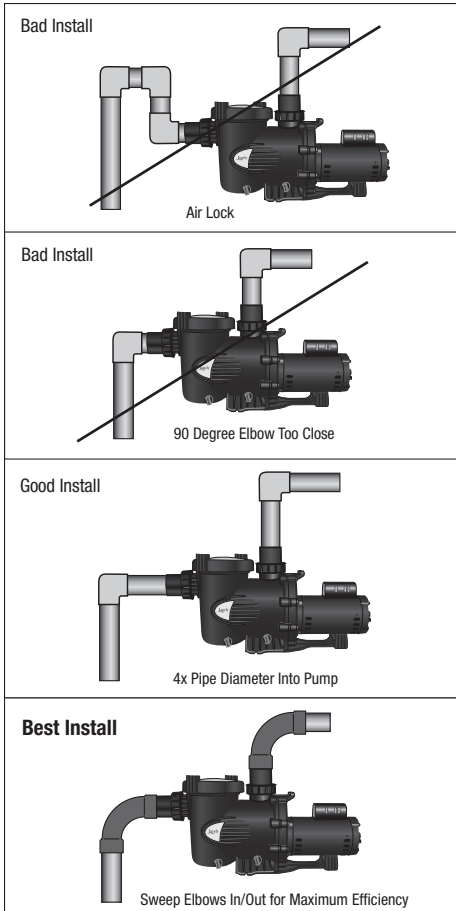
3.1.4.1 Suction and Discharge Pipe Sizing

When the pump is located up to 50 feet from the pool, the recommended Schedule 40 minimum pipe size for the suction side and discharge side of the pump is 1-1/2" for FHPM.75 and 2" for FHPM1.0 and FHPM1.0-2.

NOTE: If the pipe is too small for the pump, or if the pump is elevated too high above water, the maximum gallons per minute (GPM) may not be delivered. If this happens, the pump will develop an air pocket (cavitation) that will make noise, and the life of the pump may be shortened.

3.1.4.2 Installation Recommendations

1. If the pump is located below water level, isolation valves *must* be installed on both sides of the pump to prevent the back flow of pool water during any routine or required servicing.
2. To help prevent difficulty in priming, install the suction pipe without high points, which can trap air. (High points are inverted 'U's above the inlet of a pump. In plumbing, they are commonly referred to as airlocks.)



3. For installations of equipment up to 100 feet from the water, refer to the pipe sizing chart in the table. For installations of equipment more than 100 feet from the water, the recommended pipe size must be increased to the next size. For every 50 feet beyond 100 feet, increase another 1/2" in diameter.

Pipe Size	Maximum Flow Suction (6 feet per second)	Maximum Flow Discharge (8 feet per second)
1½"	37 GPM (140 LPM)	50 GPM (189 LPM)
2"	62 GPM (235 LPM)	85 GPM (322 LPM)
2½"	88 GPM (333 LPM)	120 GPM (454 LPM)
3"	136 GPM (515 LPM)	184 GPM (607 LPM)

Table 2. Pipe Sizing Chart for Schedule 40 PVC

4. FHP Pumps come equipped with unions and 2" NPT internal threads on both the suction and discharge ports. This feature simplifies installation and service.
5. The FHP Pump must be connected to at least two (2) main drains (suction outlets) for each pool pump suction line. Each drain (suction outlet) assembly must be provided with covers and must be listed or certified to the latest published version of ANSI®/ASME® A112.19.8, or its successor standard, ANSI/APSP-16. The suction outlets of the main drains must be at least 3 feet apart or at different planes. The suction outlets can be a drain and skimmer, two (2) drains, two (2) skimmers, or a skimmer with an equalizer line installed. For additional details and guidelines, refer to ANSI/APSP 7, the standard for *Suction Entrapment Avoidance in Swimming Pools, Wading Pools, Spas, Hot Tubs, and Catch Basins*. Check the local codes for proper installation requirements. Applicable local codes will take precedence over other codes.

NOTE: To prevent entrapment, the system must be built so that it cannot operate with the pump drawing water from only one (1) main drain. At least two (2) main drains must be connected to the pump when it is in operation. However, if two (2) main drains run into a single suction line, the single suction line may be equipped with a valve that will shut off both main drains from the pump.

Unblockable SOFA – If acceptable by local code and the Authority Having Jurisdiction (AHJ), a single unblockable SOFA may be used. For an unblockable SOFA to qualify as an unblockable drain under the Virginia Graham Baker Act (VGBA), the Suction Outlet Fitting Assembly (SOFA) shall be certified as unblockable, and be designated by the manufacturer as unblockable, and the manufacturer's instructions must state the SOFA is authorized for use as an unblockable suction outlet in accordance with ANSI/APSP/ICC-16. Certified unblockable SOFA's must be installed in accordance with the manufacturer's instructions, the latest edition of ANSI/PHTA/ICC-7, and applicable local code.

6. The piping must be well supported and not forced together in places where constant stress will be experienced.
7. Always use properly sized valves. Use the fewest fittings possible. Every additional fitting increases resistance and causes the pump to work harder.

NOTE: If more than 10 suction fittings are needed, the pipe size must be increased.

8. Every new installation must be pressure tested according to local codes. See *Pressure Testing* section.

3.2 Electrical Installation

3.2.1 Voltage Checks

The correct voltage, as specified on the pump data plate, is necessary for proper performance and long motor life. The incorrect voltage will decrease the pump’s ability to perform and can cause overheating, reduce the motor life, and result in higher electric bills.

It is the responsibility of the electrical installer to provide data plate operating voltage to the pump by ensuring proper circuit sizes and wire sizes for the specific application.

The National Electrical Code® (NEC®, NFPA-70®) requires all pool pump circuits be protected with a Ground Fault Interrupter (GFCI). Therefore, it is also the responsibility of the electrical installer to ensure that the pump circuit is in compliance with this and all other applicable requirements of the National Electrical Code (NEC) and any other applicable installation codes.

RECOMMENDED MINIMUM WIRE SIZE (AWG) FOR FHP PUMPS*										
Distance from Sub-Panel			0-50 Feet		50-100 Feet		100-150 Feet		150 Feet-200 Feet	
Model	Inverse - Time Circuit Breaker or Branch Fuse AMPS Class: CC, G, H, J, K, RK, or T		Voltage		Voltage		Voltage		Voltage	
	230 VAC	115 VAC	230 VAC	115 VAC	230 VAC	115 VAC	230 VAC	115 VAC	230 VAC	115 VAC
FHPM.75	15A	15A	14	12	12	8	10	6	8	6
FHPM1.0	15A	15A	14	10	10	8	8	6	8	4
FHPM1.0-2	15A	N/A	14	N/A	10	N/A	8	N/A	8	N/A

*Assumes three (3) copper conductors in a buried conduit and 3% maximum voltage loss in branch circuit. All National Electrical Code® (NEC®) and local codes must be followed. Table shows minimum wire size and branch fuse recommendations for a typical installation per NEC.

Table 3. Recommended Minimum Wire Size for FHP Pumps C

⚠ CAUTION

Failure to provide data plate voltage (within 10%) during operation will cause the motor to overheat and void the warranty.

3.2.2 Bonding and Grounding

- In addition to being properly grounded as described below, and in accordance with the requirements of the National Electrical Code® (NEC)®, or in Canada the Canadian Electrical Code (CEC), the pump motor must be bonded to all metal parts of the swimming pool, spa or hot tub structure and to all electrical components and equipment associated with the pool/spa water circulation system.
- The bonding must be accomplished by using a solid copper conductro, No. 8 AWG or larger. In Canada No. 6 AWG or larger must be used. Bond the motor using the external bonding lug provided on the motor frame.

National Electrical Code® (NEC®) requires bonding of the Pool Water. Where none of the bonded pool equipment, structures, or parts are in direct connection with the pool water; the pool water shall be in direct contact with an approved corrosion-resistant conductive surface that exposes not less than 5800 mm² (9 in²) of the surface area to the pool water at all times. The conductive surface shall be located where it is not exposed to physical damage or dislodgement during usual pool activities, and it shall be bonded in accordance with the bonding requirements of NEC Article 680. Refer to locally enforced codes for any additional bonding requirements.

⚠ WARNING

To avoid the risk of property damage, severe personal injury, and/or death, always disconnect the power source before working on a motor or its connected load.

⚠ WARNING

To avoid the risk of property damage, severe personal injury, and/or death, make sure that the control switch or time clock is installed in an accessible location so that in the event of an equipment failure or a loose plumbing fitting the equipment can be turned off. This location must not be in the same area as the pool pump, filter, and other equipment.

⚠ CAUTION

The pump must be permanently connected to a dedicated electrical circuit. No other equipment, lights, appliances or outlets may be connected to the pump circuit, with the exception of devices that may be required to operate simultaneously with the pump, such as a chlorinating device or heater.

3.2.3 Electrical Wiring

⚠ WARNING

To avoid risk of property damage, severe personal injury, or death, always ground before connecting to an electrical power supply.

1. The pump motor must be securely and adequately grounded using the green screw provided. Ground before attempting to connect to an electrical power supply. *Do not ground to a gas supply line.*
2. Wire size must be adequate to minimize a voltage drop during the start-up and operation of the pump. See table for suggested wire sizes.
3. Insulate all connections carefully to prevent grounding or short-circuits. Provide extra protection for sharp edges on terminals. To prevent wire nuts from loosening, tape them using a suitable, listed (UL, ETL, CSA) electrical insulating tape. For safety, and to prevent entry of contaminants, reinstall all conduit and terminal box covers. *Do not force connections into the conduit box.*
4. To configure the internal wiring of the pump motor for the correct voltage, refer to the diagram on the motor data plate.

3.3 Pressure Testing

⚠ WARNING
When pressure testing a system with water, air is often trapped in the system during the filling process. This air will compress when the system is pressurized. Should the system fail, this trapped air can propel debris at a high speed and cause injury. Every effort to remove trapped air must be taken, including opening the bleed valve on the filter and loosening the pump basket lid on the filter pump while filling the pump.
Trapped air in system can cause filter lid to be blown off, which can result in death, serious personal injury, or property damage. Be sure all air is properly out of system before operating. DO NOT USE COMPRESSED AIR TO PRESSURE TEST OR CHECK FOR LEAKS.
Do not pressure test above 35 PSI. Pressure testing must be done by a trained pool professional. Circulation equipment that is not tested properly can fail, which could result in severe injury or property damage.
When pressure testing the system with water, it is very important to make sure that the pump basket lid on the filter pump is completely secure.

1. Fill the system with water, being careful to eliminate trapped air.
2. Pressurize the system with water to no more than 35 PSI.
3. Close the valve to trap pressurized water in the system.
4. Carefully observe the system for leaks and/or pressure decay.

Section 4. Operation

4.1 Start-up

⚠ CAUTION
Never run the pump without water. Running the pump "dry" for any length of time can cause severe damage to both the pump and motor and will void the warranty.

If this is a new pool installation, make sure all piping is clear of construction debris and has been properly pressure tested. Check the filter for proper installation, verifying that all connections and clamps are secure according to the manufacturer's recommendations.

⚠ WARNING
To avoid risk of property damage, severe personal injury, or death, verify that all power is turned off before starting this procedure.

4.1.1 Pump Below Water Level

1. Ensure the pump lid is secure by verifying the "locked" indicators are aligned with the pump's ports. **Hand tighten only**, do not use tools. Make sure valves are open and the pump unions are tight.
2. Open any isolation valves that may be in place between the pump and the pool's main drain(s) and skimmer(s).
3. Open the air relief valve on the filter. This will allow air to begin to escape the system and fill the pump with water for priming.
4. Restore power to the pump and start the pump.
5. When water starts to come out of the air relief valve on the filter, close the air relief valve.
6. Inspect system for any leaks.

4.1.2 Pump Above Water Level

1. Open the air relief valve on the filter.
2. Remove the pump lid and fill the basket with water.
3. Prior to replacing the lid, check for debris around the lid O-Ring seat. Debris around the lid O-Ring seat may cause an air leak and will make it difficult for the pump to prime.
4. Tighten the lid by verifying the "locked" indicators on the lid are aligned with the pump's ports. **Hand tighten only**, do not use tools. Make sure all valves are open and the pump unions are tight.
5. Restore power to the pump and start the pump.
6. Once the pump has primed and water comes out of the air relief valve on the filter, close the air relief valve and inspect the system for any leaks.

NOTE: All pumps in this manual are NSF-certified as being able to prime at heights up to 10 ft above the pool water level, at sea level. However, to achieve better self-priming, install the pump as close as possible to the water level of the pool.

If the pump does not prime and all the instructions to this point have been followed, check for a suction leak. If there is no leak, repeat Steps 1 through 5.

For technical assistance, call Zodiac Technical Support at 800.822.7933.

Section 5. Service and Maintenance

5.1 Clean Pump Basket

⚠ WARNING

To avoid the risk of property damage, severe personal injury, and/or death, turn off the pump and switch off the circuit breaker to the pump motor before servicing the pump.

Debris in the pump basket causes restriction and should be removed. Inspect the pump basket for debris by looking through the clear pump lid. Clean weekly at a minimum to maintain pump performance.

Turn off the power to the pump. If the pump is located below the water level, close the isolation valves on the suction and discharge sides of the pump to prevent backflow of water.

1. Turn the lid's locking ring counter-clockwise until 'START' aligns with the ports. Carefully remove the lid.

⚠ CAUTION

A misaligned basket will cause the lid to be improperly seated, allowing an air leak, which could result in pump damage.

2. Lift the basket out of the pump. Dispose of all debris and thoroughly clean the basket, making sure all the holes are open.
3. Replace the basket in the pump by aligning the open section of the basket with the inlet pipe. If aligned properly, the basket will drop easily into place. *Do not force it into place.*
4. Remove the lid o-ring and remove debris around the lid o-ring seat, as this will cause air leaks into the system. Clean the lid o-ring and replace it.
5. Replace the lid with locking ring on the pump housing. Align 'START' with the ports and turn the lid's locking ring clockwise until 'LOCKED' aligns with the ports. *Hand-tighten the lid to make an air tight seal. Do not use any tools to tighten the lid.*
6. Verify that all valves have been returned to the proper position for normal operation.
7. Open the pressure release valve on the filter, and make sure it is clean and ready for operation.
8. Turn on the power to the pump. Once all the air has been evacuated from the filter, close the filter pressure release valve.

5.2 Winterizing the Pump

⚠ CAUTION

The pump *must* be protected when freezing temperatures are expected. Allowing the pump to freeze will cause severe damage and void the warranty.

Do not use antifreeze solutions in the pool, spa, or hot tub systems! Antifreeze is highly toxic and may damage the circulation system. The only exception to this is Propylene Glycol. For more information see your local pool/spa supply store or contact a qualified swimming pool service company.

1. Drain *all* water from the pump, system equipment, and piping.
 2. Remove the two (2) drain plugs. Store the drain plugs in a safe location and reinstall them when the cold weather season is over. *Do not lose the o-rings.*
 3. Keep the motor covered and dry. Do not cover it with plastic, as this will create condensation and this moisture will damage the pump.
- NOTE:** To protect your pump, Zodiac Pool Systems LLC recommends having a qualified service technician or electrician properly disconnect the electrical wiring at the switch or junction box. Once the power is removed, the two (2) unions can be loosened and the pump stored indoors. For safety, and to prevent entry of contaminants, reinstall all conduit and terminal box covers.
4. When the system is reopened for operation, make sure all piping, valves, wiring, and equipment are in accordance with the manufacturer's recommendations. Pay close attention to the filter and electrical connections.
 5. The pump must be primed prior to starting.

Section 6. Troubleshooting

Zodiac Pool Systems LLC strongly recommends that you call a qualified service technician to perform any repairs on the pump system. To locate a qualified technician, check your local yellow pages or visit www.zodiacpoolsystems.com and click on "Support."

6.1 Troubleshooting

Symptom	Possible Problem/Solution
The cleaning/circulating system is not operating correctly.	<p>Verify that skimmer baskets, pump basket and other screens are clean. Clean as necessary.</p> <p>If a filter is installed in the system, check the filter and clean as necessary.</p> <p>Check valve positions. Adjust as necessary.</p> <p>NOTE: Multiple pieces of equipment operating at one time (for example, waterfalls, spa jets, and surface returns) may affect the cleaning system and prevent it from working properly.</p> <p>Check cleaning system manual to ensure the system is adjusted according to manufacturer's recommendations.</p>
Bubbles present in the pump basket.	<p>Air is in system. Check pool or spa water level to ensure it is at the proper level and air is not being drawn into suction piping. If water is at normal level, turn off pump. Turn the lid's locking ring counter-clockwise until 'START' aligns with ports. Remove lid and check for debris around lid seal seat or improper installation of lid seal, as either of these conditions will cause air leaks in the system. Clean lid seal and lid groove. Note that one (1) side of lid seal has two (2) ribs and the other has one (1). Place the side with two (2) ribs into lid groove. Replace lid on pump housing. Align 'START' with ports and turn lid's locking ring clockwise until 'LOCKED' aligns with ports. Hand-tighten the lid to make an air tight seal. <i>Do not use any tools to tighten the lid. Turn the pump back on.</i></p>
Air leaks are still present.	<p>Check the suction side piping union. While the pump is running, try to tighten the union. If this does not stop the air leak, turn off the pump. Loosen both unions and slide the pump out of the way. Remove, clean, and re-install both union o-rings.</p> <p>Reposition the pump next to the piping and secure the union nuts to the pump. With clean union o-rings, hand-tightening of the unions should create a seal. If the unions still do not seal, gently tighten with a large pair of tongue-and-groove pliers.</p> <p><i>Do not over-tighten.</i></p>
There is no air in the system, but the pressure is still low.	<p>It is possible that debris is caught in the pump impeller. The pump impeller moves the water, and the vanes in the impeller can become blocked with debris.</p> <ol style="list-style-type: none"> 1. Turn off the pump. Switch off the circuit breaker to the pump motor. 2. Remove the lid and basket. 3. Look inside the pump for any debris. Remove any debris found inside. 4. Replace the basket and lid. 5. Switch on the circuit breaker to the pump motor. 6. Turn on the pump, and see if the problem is solved. 7. If the impeller is still blocked with debris and it is not possible to remove the debris using Steps 2 through 4, the pump will need to be disassembled in order to access the inlet and outlet of the impeller.
There is no debris blocking the impeller and the pressure is still low.	<p>The pump impeller and diffuser are showing signs of normal wear. Have a qualified service technician check the impeller and diffuser and replace as necessary.</p> <p>If the pump is part of a relatively new installation, it could be an electrical problem. Contact a qualified service technician. Have the technician check for loose electrical connections and check the voltage at the pump motor while it is in operation. The voltage must be within 10% of the motor's data plate rating. If the voltage is not within 10%, contact a qualified electrician and/or the local power service provider.</p>
The pump is leaking water between the motor and pump body.	<p>This is caused by a damaged or failed mechanical seal. The pump seal is leaking air. Have a qualified service technician replace the seal.</p>
The pump gets hot and shuts off periodically.	<p>Ensure that there is adequate room around the motor to circulate air and keep motor cool. Have a qualified electrician check for loose connections and check voltage at the pump motor while it is in operation. The voltage must be within 10% of the motor's data plate rating. If voltage is not within 10%, contact a qualified electrician and/or the local power service provider.</p>

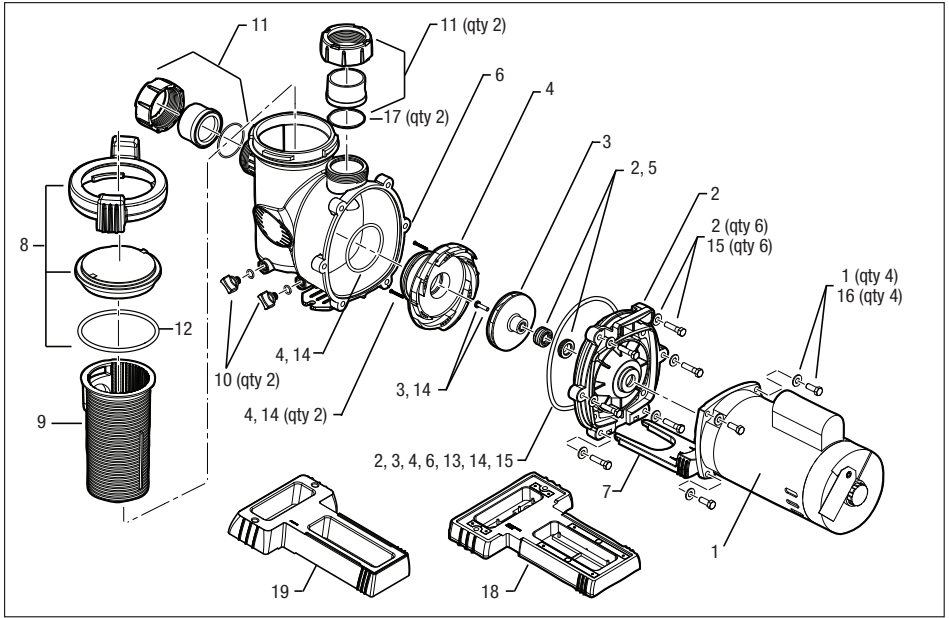
Section 7. Product Specifications and Technical Data

7.1 Replacement Parts List

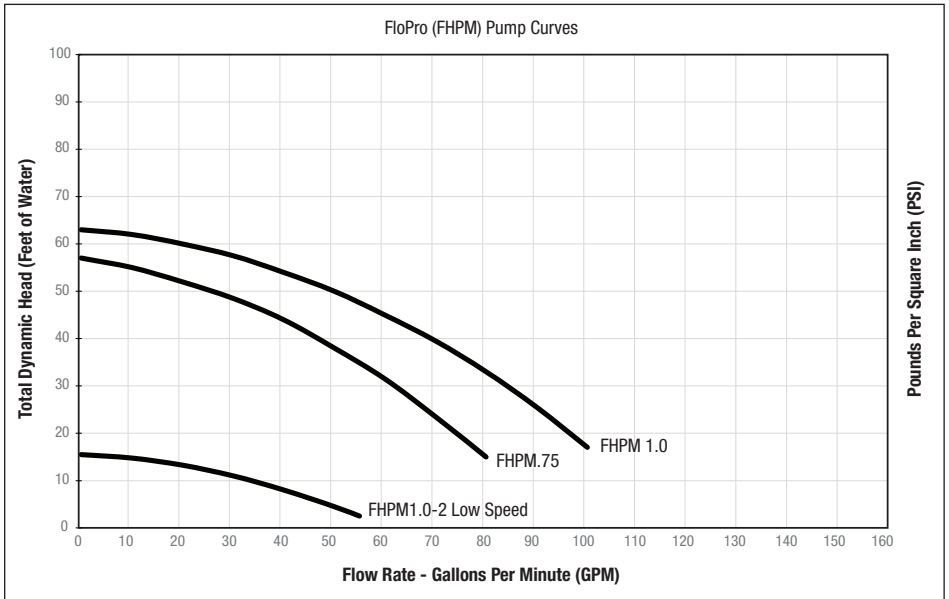
To order or purchase parts for Jandy pumps, contact your nearest Zodiac dealer. If the Zodiac dealer cannot supply you with what you need, contact Zodiac technical support at 1.800.822.7933, or send an e-mail message to productsupport@zodiac.com.

Key No.	Description	Model No.	Order Part No.
1	Single-speed Motor & Hardware, FHP	0.75	R0479310
1	Single-speed Motor & Hardware, FHP	1.0	R0479311
1	Single-speed Motor & Hardware, FHP	1.5	R0479312
1	Single-speed Motor & Hardware, FHP	2.0	R0479313
1	Single-speed Motor & Hardware, FHP	2.5	R0479314
1	2-Speed Motor & Hardware, FHP	1.0	R0479306
1	2-Speed Motor & Hardware, FHP	1.5	R0479307
1	2-Speed Motor & Hardware, FHP	2.0	R0479308
2	Backplate, FHP (Backplate w/Hardware, Backplate O-ring & Mechanical Seal)	All	R0479500
3	Impeller, FHP (Impeller, Screw w/O-ring & Backplate O-ring)	0.75	R0479601
3	Impeller, FHP (Impeller, Screw w/O-ring & Backplate O-ring)	1.0, 1.0-2	R0479602
3	Impeller, FHP (Impeller, Screw w/O-ring & Backplate O-ring)	1.5, 1.5-2	R0479603
3	Impeller, FHP (Impeller, Screw w/O-ring & Backplate O-ring)	2.0, 2.0-2	R0479604
3	Impeller, FHP (Impeller, Screw w/O-ring & Backplate O-ring)	2.5	R0479605
4	Diffuser, FHP (Diffuser w/O-ring, Hardware & Backplate O-ring)	0.75, 1.0, 1.0-2	R0479702
4	Diffuser, FHP (Diffuser w/O-ring, Hardware & Backplate O-ring)	1.5, 1.5-2, 2.0, 2.0-2, 2.5	R0479701
5	Mechanical Seal, Carbon and Ceramic (1 Set)	All	R0479400
6	Pump Body, FHP (Body and Backplate O-ring)	All	R0479800
7	Motor Mounting Foot, FHP	All	R0479900
8	Lid w/Locking Ring, FHP (Lid w/Locking Ring & Lid O-ring)	All	R0480000
9	Pump Debris Filter Basket, FHP	All	R0480100
10	Drain Plug w/ O-ring (Set of 2)	All	R0446000
11	Tail Piece, O-ring & Union Nut (Set of 2)	All	R0327301
12	Lid O-ring, FHP	All	R0480200
13	Backplate O-ring, FHP	All	R0480300
14	Diffuser/Impeller Hardware (Diffuser O-ring, Screws (2), Screw w/O-ring & Backplate O-ring)	All	R0480400
15	Backplate Hardware, FHP (Backplate Hardware & Backplate O-ring)	All	R0480500
16	Motor Hardware Kit	All	R0446700
17	Tailpiece O-ring (Set of 2)	All	R0337601
18	Small Base Spacer	All	R0486700
19	Large Base Spacer (optional)	All	R05464

7.2 FHP Exploded View



7.3 Performance Curves



7.4 Physical and Operational Specifications

7.4.1 Specifications

Model No.	THP	WEF (Weighted Energy Factor)	Voltage	Amps	Pipe Size	Carton Weight	Overall Length 'A'
FHPM.75	0.95	4.1/4.3	208-230/115	4.5-4.4/8.8	1½-2"	40.6	23 3/8"
FHPM1.0	1.14	3.6	208-230/115	5.4-5.2/10.3	1½-2"	41.2	23 3/8"
FHPM1.0-2	1.14	5.6	230	5.3/2.2	1½-2"	46.5	24 1/4"

Table 4. FHPM Pump Specifications

7.4.2 Dimensions

Table 1 shows the height of the FHP pump in the four (4) mounting configurations listed below. Figure 3 in Section 3.1.3.1 shows drawings of these four (4) configurations.

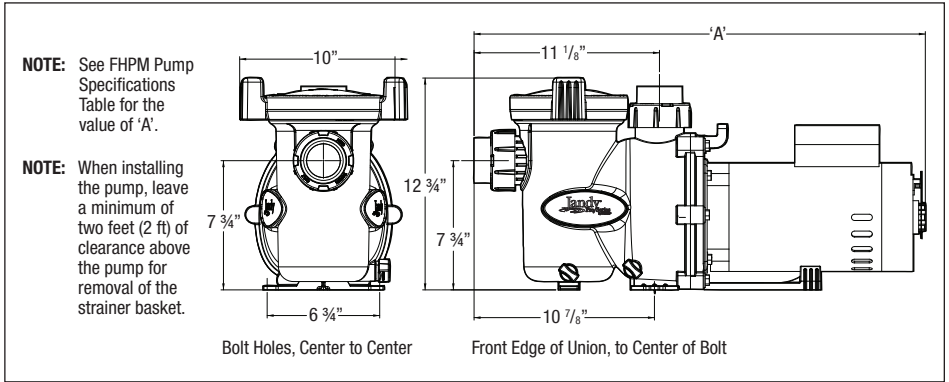


Figure 6. FHP Pump Dimensions (without Base or Spacers)

A Fluidra Brand | [Jandy.com](https://www.jandy.com) | [Jandy.ca](https://www.jandy.ca)
2882 Whiptail Loop # 100, Carlsbad, CA 92010, USA | 1.800.822.7933
2-3365 Mainway, Burlington, ON L7M 1A6, Canada | 1.800.822.7933

©2024 Fluidra. All rights reserved. The trademarks and trade names used herein are the property of their respective owners.

H0315300_REVU

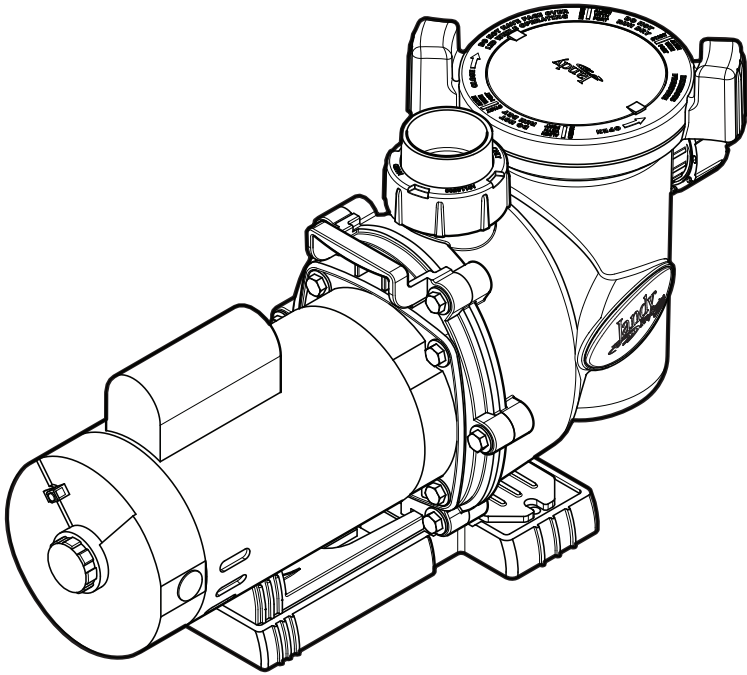


Certified to
NSF/ANSI/CAN 50



Intertek

ETL LISTED
CONFORMS TO UL STD 1081
CERTIFIED TO CSA STD C22.2 NO 108



FHP

Pompes à une et deux vitesses

Modèles: FHPM.75
FHPM1.0
FHPM1.0-2

Les instructions essentielles d'installation et de démarrage sont incluses dans ce manuel. Des informations supplémentaires sur le fonctionnement et le dépannage sont disponibles en ligne en scannant le code QR avec votre téléphone ou en visitant jandy.com



⚠ AVERTISSEMENT

POUR VOTRE SÉCURITÉ – Ce produit doit être installé et entretenu par un entrepreneur agréé et compétent dans le matériel de piscine par la juridiction dans laquelle ce produit sera installé où de telles exigences existent au niveau des états ou au niveau local. Le maintien devra être fait par une personne professionnelle avec suffisamment d'expérience avec l'installation et le maintien de matériel de piscine de façon exacte. Avant d'installer ce produit, lisez et suivez tous les avertissements et instructions qui accompagnent ce produit. Si vous ne suivez pas les avertissements et instructions, cela peut entraîner des dommages matériels, des blessures personnelles, ou la mort.

Une installation et/ou une manipulation incorrecte pourrait annuler la garantie. Une installation et/ou une manipulation incorrecte peut créer des risques électriques non voulus qui pourraient causer de sérieuses blessures, des dommages matériels, ou la mort.



ATTENTION INSTALLATEUR – Ce manuel contient des informations importantes sur l'installation, la manipulation et l'utilisation sécuritaire de ce produit. Ces informations devraient être fournies au propriétaire/manipulateur de cet équipement.

Table des matières

Section 1. Instructions Importantes	
Concernant la Sécurité.....	19
1.1 Consignes de sécurité	19
1.2 Normes de prévention du piégeage par l'aspiration de la pompe de piscine.....	20
Section 2. Utilisation manuelle	22
2.1 Introduction.....	22
Section 3. Installation	22
3.1 Plomberie	22
3.2 Installation électrique	26
3.3 Essai de pression.....	27
Section 4. Fonctionnement	28
4.1 Démarrage	28
Section 5. Service et entretien	29
5.1 Nettoyer le panier de la pompe	29
5.2 Hivernage de la pompe	29
Section 6. Dépannage.....	30
6.1 Dépannage	30
Section 7. Caractéristiques du produit et données techniques	31
7.1 Liste des pièces de rechange	31
7.2 Vue éclatée du FHP	32
7.3 Courbes de rendement.....	32
7.4 Spécifications physiques et fonctionnelles	33

DOCUMENT D'INFORMATION D'ÉQUIPEMENT

DATE D'INSTALLATION _____

INFORMATION SUR L'INSTALLATEUR _____

LECTURE INITIALE DU MANOMÈTRE (AVEC UN FILTRE PROPRE) _____

MODÈLE DE POMPE _____

HP _____

REMARQUES _____

Section 1. Instructions Importantes Concernant la Sécurité

LIRE ET SUIVRE TOUTES LES DIRECTIVES

1.1 Consignes de sécurité

Tous les travaux d'électricité doivent être accomplis par un électricien agréé et doivent se conformer aux normes fédérales, provinciales et locales. Lors de l'installation et de l'utilisation de cet équipement électrique, des précautions de base doivent toujours être suivies, entre autres :

⚠ AVERTISSEMENT

RISQUE DE PIÉGEAGE DANS LA CONDUITE D'ASPIRATION QUI, SI NON ÉVITÉ, POURRAIT ENTRAÎNER DES BLESSURES GRAVES OU LA MORT. Ne pas bloquer l'aspiration de la pompe car cela peut causer une blessure grave ou la mort. N'utilisez pas cette pompe pour les pataugeoires, les piscines peu profondes ou les spas contenant des drains de fond, à moins que la pompe ne soit connectée à au moins deux (2) sorties d'aspiration fonctionnelles et/ou conformément à la dernière version de ANSI®/PHTA®/ICC -7, la norme pour éviter le piégeage par aspiration dans les piscines, les pataugeoires, les spas, les bains à remous et les bassins de drainage. Les ensembles et couvercles de sorties d'aspiration (drain) doivent être certifiés conformes à la dernière version publiée de la norme ANSI®/ASME® A12.19.8, ou à sa norme qui lui succède, ANSI/APSP-16.

Pour réduire le risque de blessure, ne pas permettre aux enfants d'utiliser ce produit.

Pour réduire le risque de dommage matériel et de blessures, ne pas essayer de changer la position de la vanne (multivoies, de glissement ou de passage intégral) de lavage à contre-courant pendant le fonctionnement de la pompe.

Les pompes de la série Jandy fonctionnent à l'aide d'un moteur électrique haute tension et doivent être installées par un électricien agréé ou licencié, ou un technicien en entretien et en réparation de piscines qualifié.

RISQUE DE CHOC ÉLECTRIQUE, D'INCENDIE, DE BLESSURES OU DE MORT. Brancher seulement à un circuit qui est protégé par un disjoncteur de fuite à la terre. En cas de doute, consulter un électricien certifié. Un tel disjoncteur est fourni par l'installateur et fait l'objet d'essais régulièrement. Pour tester le disjoncteur de fuite à la terre, appuyer sur le bouton de test. Le disjoncteur de fuite à la terre doit couper l'alimentation électrique. Appuyer sur le bouton de réinitialisation. L'alimentation électrique devrait être restaurée. Si le disjoncteur de fuite à la terre ne fonctionne pas de cette façon, c'est qu'il est défectueux. Si le disjoncteur de fuite à la terre coupe l'alimentation à la pompe sans que le bouton de test soit enfoncé, il y a alors circulation de courant à la terre, ce qui indique la possibilité de choc électrique. Ne pas utiliser la pompe. Débrancher la pompe et s'assurer que le problème soit résolu par un représentant d'entretien et de réparation qualifié avant de l'utiliser.

En raison du risque potentiel d'incendie, de choc électrique ou de blessures corporelles, les pompes de la série Jandy doivent être installées conformément au Code national d'électricité (NEC®), à tous les codes locaux d'électricité et de sécurité et à la Loi sur la santé et la sécurité au travail (LSST). Vous pouvez obtenir des exemplaires du Code national d'électricité (NEC) de la National Fire Protection Association (NFPA) en ligne à www.nfpa.org ou en composant le 617 770-3000 ou en contactant votre organisme d'inspection gouvernemental local.

Un équipement mal installé peut être défaillant et causer des blessures graves ou des dommages matériels.

- Ne pas raccorder le système à un réseau urbain de distribution d'eau non réglementé ou à une autre source externe d'eau sous pression générant des pressions supérieures à 2,4 bars (35 psi).
- L'air emprisonné dans le système peut provoquer l'ouverture par soufflage du couvercle du filtre et entraîner la mort, de graves blessures corporelles ou des dommages matériels. Avant d'utiliser le système, s'assurer que tout l'air soit bien expulsé.

Pour réduire les risques de blessure grave voire de mort, le filtre et/ou la pompe ne devraient pas être soumis à l'essai de mise sous pression du système de tuyauterie.

Les codes locaux peuvent exiger l'application d'un essai de pression au système de tuyauterie de la piscine. Ces exigences ne s'appliquent généralement pas à l'équipement de piscine tel que les filtres ou les pompes.

L'équipement de piscine Zodiac est soumis à l'essai de pression en usine.

Si toutefois l'AVERTISSEMENT ne peut être respecté et que l'essai de pression du système de tuyauterie doit aussi concerner le filtre ou la pompe, S'ASSURER DE SE CONFORMER AUX CONSIGNES DE SÉCURITÉ SUIVANTES :

- Vérifier les serre-joints, les boulons, les couvercles, les bagues de retenue et les accessoires
- du système pour s'assurer qu'ils sont convenablement installés et fixés avant d'effectuer un essai.

- **ENLEVER TOUT L'AIR** du système avant l'essai.
- La pression de l'eau pendant l'essai **NE DOIT PAS DÉPASSER 2,4 BAR (35 PSI)**.
- La température de l'eau pendant l'essai **NE DOIT PAS DÉPASSER 38 °C (100 °F)**.
- Limiter l'essai à 24 heures. Après l'essai, vérifier visuellement le système pour vous assurer qu'il est prêt à fonctionner.

REMARQUE : Ces paramètres s'appliquent à l'équipement Zodiac uniquement. Pour tout équipement qui ne soit pas de Zodiac, se renseigner auprès du fabricant de l'équipement.

Des déversements et vapeurs chimiques peuvent affaiblir l'équipement de la piscine ou du spa. La corrosion peut causer la défaillance des filtres et autre équipement, ce qui peut entraîner des blessures graves ou des dommages matériels. Ne pas entreposer de produits chimiques de piscine près de votre équipement.

⚠ ATTENTION

Ne pas démarrer votre pompe à sec! Faire fonctionner la pompe à sec pendant une durée quelconque causera des dommages importants et annulera la garantie.

Cette pompe doit être utilisée avec des piscines installées de manière permanente et, si cela est également mentionné, avec des cuves thermales et des spas. Ne pas utiliser avec des piscines remisables. Une piscine installée de manière permanente est construite dans le sol ou sur le sol ou dans un édifice de sorte qu'elle ne peut pas être facilement démontée aux fins de remisage. Une piscine remisable est construite pour être facilement démontée aux fins d'entreposage, puis réassemblée à son état initial.

Ne pas installer dans une enceinte extérieure ou sous les bords d'une cuve thermique ou d'un spa portatif. La pompe nécessite une ventilation adéquate afin de maintenir la température de l'air inférieure à la température ambiante maximale indiquée sur la plaque signalétique du moteur.

CONSERVER CES DIRECTIVES

1.2 Normes de prévention du piégeage par l'aspiration de la pompe de piscine.

⚠ AVERTISSEMENT



DANGER D'ASPIRATION. Peut provoquer de graves blessures ou la mort. Ne pas utiliser cette pompe pour des pataugeoires, des piscines peu profondes ou des spas ayant des canalisations d'évacuation à la base, sauf si la pompe est connectée à au moins deux (2) orifices d'aspiration qui fonctionnent, et/ou conformément à la dernière version de ANSI®/PHTA®/ICC -7, la norme pour éviter le piégeage par aspiration dans les piscines, les pataugeoires, les spas, les bains à remous et les bassins de drainage.

L'aspiration de la pompe est dangereuse et peut piéger, noyer ou éviscérer les baigneurs. Ne pas utiliser ni faire fonctionner les piscines, les spas ou les jacuzzis si un couvercle de sortie d'aspiration est absent, brisé ou instable. Les directives suivantes fournissent l'information d'installation de la pompe qui permet de réduire le plus possible les risques de blessure aux utilisateurs des piscines, des spas et des jacuzzis :

Protection contre le piégeage - Le système d'aspiration de la pompe doit fournir une protection contre les dangers de piégeage par aspiration.

Couvercles de sorties d'aspiration - Tous les couvercles de sorties d'aspiration doivent être correctement installés et les couvercles bien vissés en place. Tous les ensembles de prise d'aspiration (canalisation d'évacuation) et leurs couvercles doivent être correctement entretenus. Les ensembles de prise d'aspiration (canalisation d'évacuation) et leurs couvercles doivent être indiqués/certifiés dans la dernière version d'ANSI®/ASME® A112.19.8, ou la norme remplaçante, ANSI/APSP-16. Elles doivent être remplacées si fendues, cassées ou absentes.

Nombre de sorties d'aspiration par pompe - Fournir au moins deux (2) canalisations d'évacuation hydrauliquement équilibrées, avec couvercles, en guise de sorties d'aspiration pour chaque conduite d'aspiration de pompe de circulation. Les centres des canalisations d'évacuation principales (sorties d'aspiration) sur toute conduite d'aspiration doivent être à au moins un (1) mètre (3 pieds) du centre.

Le système *doit* être conçu pour inclure au moins deux sorties d'aspiration (canalisations d'évacuation) connectées à la pompe chaque fois que la pompe fonctionne. Cependant, si deux (2) canalisations principales d'évacuation aboutissent à une seule conduite d'aspiration, cette dernière peut être équipée d'une valve qui coupera les deux canalisations principales d'évacuation de la pompe. Le système devra être construit de manière à ne pas permettre une fermeture ou un isolement distinct ou indépendant de chaque canalisation d'évacuation. Voir la Figure 1.

Plusieurs pompes peuvent être connectées à une seule conduite d'aspiration dans la mesure où les exigences plus haut sont remplies.

SOFA non obstruable – Si le code local et l'autorité compétente l'acceptent, un seul SOFA non obstruable peut être utilisé. Pour qu'un SOFA non obstruable soit considéré comme un drain non obstruable en vertu de la loi Virginia Graham Baker Act (VGBA), l'ensemble de raccords de sortie d'aspiration (Suction Outlet Fitting Assembly, SOFA) doit être certifié comme non obstruable et désigné par le fabricant comme non obstruable, et les instructions du fabricant doivent indiquer le SOFA est autorisé pour une utilisation comme sortie d'aspiration non obstruable conformément à la norme ANSI/APSP/ICC-16. Les SOFA certifiés non obstruables doivent être installés conformément aux instructions du fabricant, à la dernière édition de ANSI/PHTA/ICC-7 et au code local applicable.

Vitesse maximale de l'eau - La vitesse maximale de l'eau à travers l'ensemble de prise d'aspiration et sa couvercle ne doit pas dépasser l'assemblée convenable d'aspiration et c'est le débit maximum de la conception de la couverture. L'ensemble de débouché d'aspiration (drain) et sa couverture doivent se conformer à la dernière version ANSI/ASME A112.19.8, la norme pour *les raccords d'aspiration à utiliser dans les piscines, les pataugeoires, les spas et les cuves thermales*, ou la norme remplaçante, ANSI/APSP-16.

Si 100 % de l'écoulement de la pompe provient du système principal de canalisation d'évacuation, la vitesse maximale de l'eau dans le système hydraulique d'aspiration de pompe doit être de 1,8 m/s (6 pi/s) ou moins, même lorsqu'une (1) canalisation d'évacuation principale (sortie d'aspiration) est complètement bloquée. Le débit à travers les autres drains principaux doit être conforme à la dernière version ANSI/ASME A112.19.8 publiée, la norme pour *les raccords d'aspiration à utiliser dans les piscines, les pataugeoires, les spas et les cuves thermales*, ou la norme remplaçante, ANSI/APSP-16.

Essais et certification - Les ensembles de la prise d'aspiration et leurs couvercles doivent avoir fait l'objet d'essais de la part d'un laboratoire reconnu à l'échelle nationale et jugés conformes à la dernière version ANSI/ASME A112.19.8 publiée, la norme pour *les raccords d'aspiration à utiliser dans les piscines, les pataugeoires, les spas et les cuves thermales*, ou la norme remplaçante, ANSI/APSP-16.

Raccords – Les raccords limitent le débit ; pour une meilleure efficacité, utilisez le moins de raccords possible (mais au moins deux (2) sorties d'aspiration ou un SOFA certifié non obstruable).

Éviter les raccords qui pourraient causer le piégeage d'air.

Les raccords d'aspiration du nettoyeur à piscine doivent être conformes aux normes de l'International Association of Plumbing & Mechanical Officials (IAPMO) : par exemple, IAPMO SPS-4.

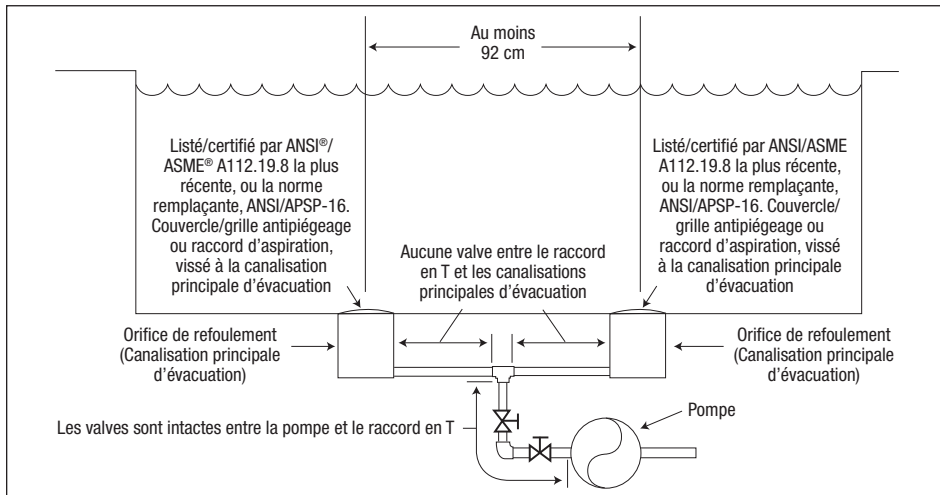


Figure 1. Nombre de sorties d'aspiration par pompe*

***SOFA non obstruable** – Si le code local et l'autorité compétente l'acceptent, un seul SOFA non obstruable peut être utilisé. Pour qu'un SOFA non obstruable soit considéré comme un drain non obstruable en vertu de la loi Virginia Graham Baker Act (VGBA), l'ensemble de raccords de sortie d'aspiration (Suction Outlet Fitting Assembly, SOFA) doit être certifié comme non obstruable et désigné par le fabricant comme non obstruable, et les instructions du fabricant doivent indiquer que le SOFA est autorisé pour une utilisation comme sortie d'aspiration non obstruable conformément à la norme ANSI/APSP/ICC-16. Les SOFA certifiés non obstruables doivent être installés conformément aux instructions du fabricant, à la dernière édition de ANSI/PHTA/ICC-7 et au code local applicable.

Section 2. Utilisation manuelle

2.1 Introduction

Ce manuel contient des informations pour l'installation, l'utilisation et l'entretien des pompes de la série Jandy FHP (modèles FHPM). Les procédures dans ce manuel doivent être scrupuleusement suivies. Pour obtenir des copies supplémentaires de ce manuel, communiquer avec le service à la clientèle de Zodiac Pool Systems Canada, Inc. ("Zodiac") au 1.888.647.4004.

Ce manuel comprend également un guide « Service et maintenance » et « Dépannage » dans les sections 5 et 6. Après l'installation, fournissez ce manuel au propriétaire de la piscine pour référence.

Section 3. Installation

3.1 Plomberie

3.1.1 Préparation

- À la réception de la pompe, vérifiez que le carton n'est pas endommagé. Ouvrez le carton et vérifiez que toutes les pièces sont incluses. Vérifiez la pompe pour détecter tout dommage caché, tel que des fissures, des bosses ou une base pliée. Si vous constatez des dommages, contactez l'expéditeur ou le distributeur auprès duquel la pompe a été achetée.

3.1.2 Emplacement de la pompe

- Pour obtenir un meilleur auto-amorçage, Zodiac Pool Systems LLC recommande d'installer la pompe à moins de 2 pieds au-dessus du niveau de l'eau. Bien que les pompes FHPM soient certifiées pour une hauteur de levage auto-amorçante de 10 pieds, lorsqu'elles sont installées à plus de 2 pieds au-dessus du niveau de l'eau, un clapet anti-retour est recommandé sur la conduite d'aspiration de la pompe pour aider à maintenir l'eau dans la plomberie lorsque la pompe est éteinte.

REMARQUE : Un meilleur amorçage automatique sera réalisé si la pompe est installée aussi près que possible du niveau d'eau de la piscine.

- Si la pompe est située en dessous du niveau de l'eau, les clapets d'isolement *doivent* être installés à la fois dans les conduites d'aspiration et de retour pour empêcher le retour d'eau de la piscine pendant tout entretien requis ou de routine.

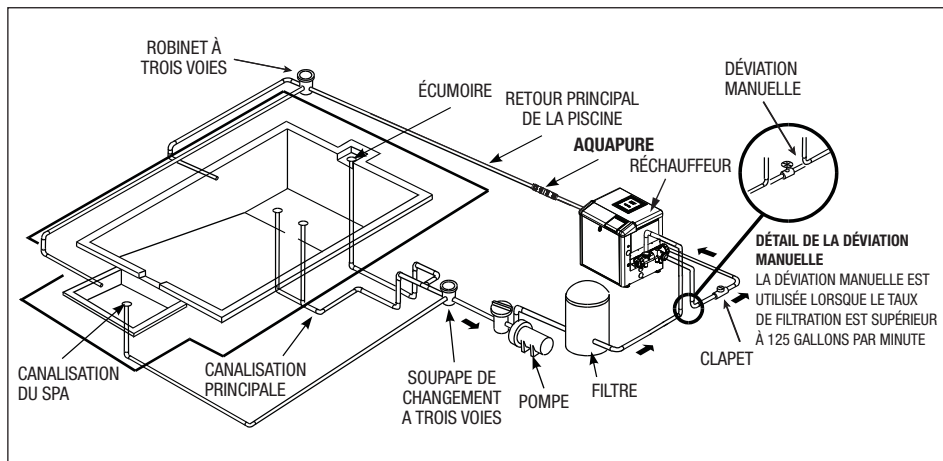


Figure 2. Installation typique de la tuyauterie

⚠ AVERTISSEMENT

Certains systèmes de sécurité contre le pompage à vide dispositifs (SVRS) ne sont pas compatibles avec des installations de clapets antiretour. Si la piscine comporte un dispositif de sécurité par déclenchement sous vide (SVRS), ne pas oublier de confirmer qu'il continuera à fonctionner en toute sécurité lorsqu'un clapet antiretour sera installé.

3. Installez la pompe tels que tous les moyens et/ou boîtes de jonction de déconnexion pour la connexion de puissance sont dans la vue de la pompe et au moins de cinq (5) pieds horizontalement à partir du bord de la piscine et/ou de la station thermique. Choisissez un emplacement qui réduira au minimum des tours dans la tuyauterie.

REMARQUE : Au Canada, la distance minimum maintenue du bord de la piscine et/ou la station thermique comme remarquable ci-dessus doivent être de 3 mètres (10 pieds), selon les exigences du code électrique canadien (CCE, CSA C22.1).

4. La pompe doit être placée sur une base solide qui ne vibrera pas. Pour réduire davantage la possibilité de bruit de vibration, verrouiller la pompe à la base ou la placer sur un tapis de caoutchouc.

REMARQUE : Zodiac Pool Systems Canada, Inc., recommande de verrouiller la pompe directement à la base.

5. La base de la pompe doit être bien drainée pour éviter que le moteur ne se mouille. Protéger la pompe de la pluie et du soleil.
6. Une bonne ventilation est requise pour que la pompe fonctionne normalement. Tous les moteurs dégagent de la chaleur, qui doit être évacuée par une bonne ventilation.

7. Fournir un accès pour l'entretien futur en laissant une aire dégagée autour de la pompe. Laisser beaucoup d'espace au-dessus de la pompe pour pouvoir ôter le couvercle et le panier-filtre lors du nettoyage.
8. Si l'équipement est recouvert, prévoir un éclairage adéquat.

3.1.3 Remplacement de la pompe existante

Les pompes Jandy FHPM peuvent être utilisées pour remplacer d'autres pompes sur le marché secondaire en utilisant la base réglable et les entretoises incluses. Reportez-vous à la Figure 3 pour une liste des pompes qui peuvent être remplacées et les configurations de base à utiliser. Notez que la grande base (Option 4) est vendue séparément (R-kit R0546400).

3.1.3.1 Utiliser une petite base avec des espaceurs

Pour remplacer une pompe Jandy PHP ou MHP par la pompe FHP, utiliser la base FHP avec les entretoises.

1. À l'aide d'un outil de coupe à main, couper les barrettes en plastique qui relient les entretoises du haut et du bas.
2. Retirer les deux (2) entretoises du haut et les deux (2) entretoises du bas de la base.
3. Aligner les broches des quatre (4) entretoises avec les trous de la base et emboîter les entretoises en place.

Configuration de base	Hauteur côté aspiration	Pompe Hauteur
1. Pompe sans base	7 3/4 po	12 3/4 po
2. Pompe avec base	8 7/8 po	13 7/8 po
3. Pompe avec base et entretoises	9 1/8 po	14 1/8 po
4. Pompe avec petite + grande base	10 3/4 po	15 3/4 po

Tableau 1. Dimensions de Base ajustable

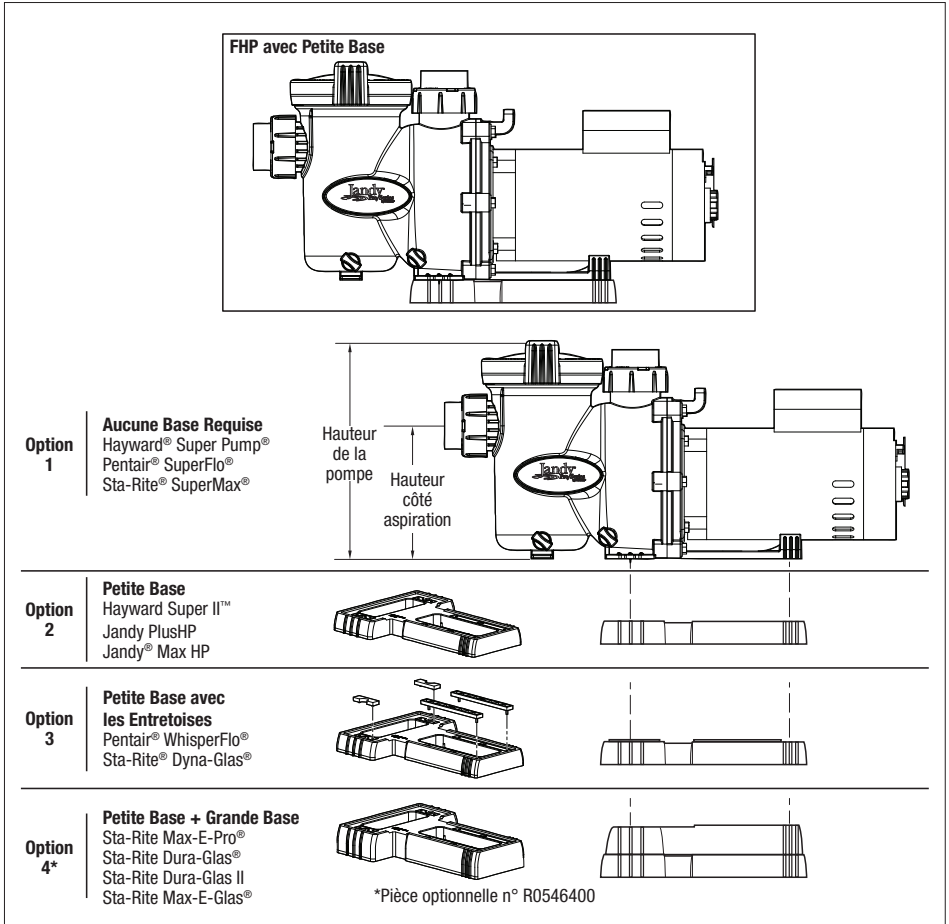


Figure 3. FHP Pump et les Configurations de la Base

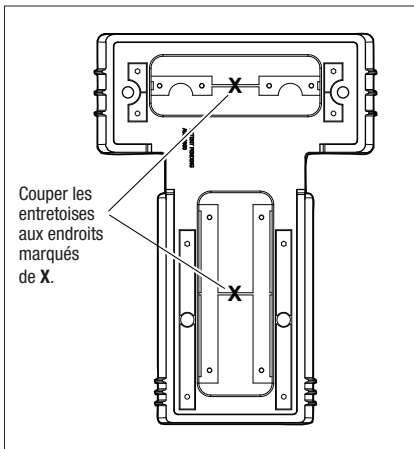


Figure 4. Découper les entretoises de la base

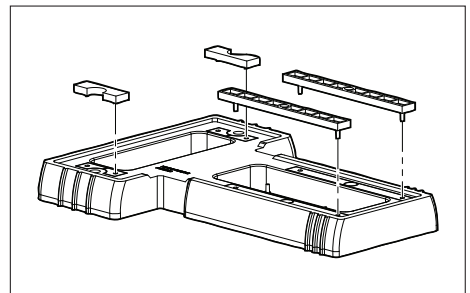


Figure 5. Emboîter les entretoises en place

Hayward et Super Pump sont des marques déposées de Hayward Industries, Inc.

Pentair est une marque déposée de Pentair, Inc.

SuperFlo et WhisperFlo sont des marques déposées de Pentair Water Pool and Spa, Inc.

3.1.4 Tailles des tuyaux

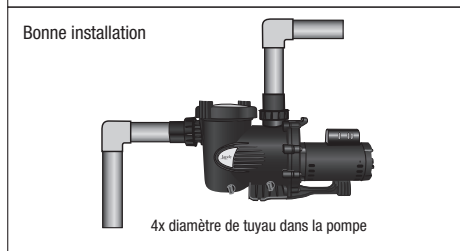
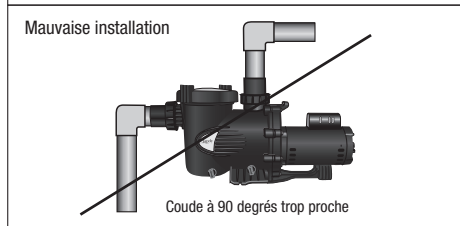
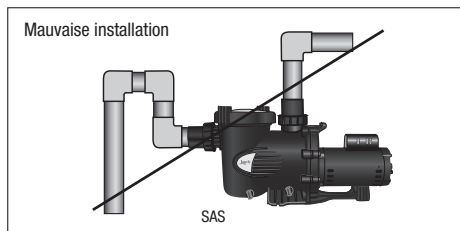
3.1.4.1 Dimensionnement des tuyaux d'aspiration et de refoulement

Lorsque la pompe est située à 50 pieds de la piscine, la taille minimum recommandée du tuyau Cédule 40 pour le côté aspiration et côté refoulement de la pompe est de 1- 1/2 po pour FHPM.75 et de 2 po pour FHPM1.0 et FHPM1.0-2.

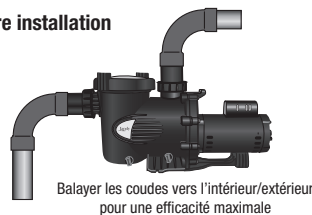
REMARQUE : Si le tuyau est trop petit pour la pompe, ou si la pompe est trop élevée au-dessus de l'eau, le nombre de gallons par minute (GPM) peut ne pas être atteint. Si cela arrive, une poche d'air (cavité) se formera dans la pompe, ce qui provoquera du bruit et pourra raccourcir la durée de vie de la pompe.

3.1.4.2 Conseils d'installation

- Si la pompe est située en dessous du niveau de l'eau, les clapets d'isolement *doivent* être installés sur les deux côtés de la pompe pour empêcher le retour d'eau pendant tout entretien requis ou de routine.
- Pour aider à prévenir les problèmes d'amorçage, installer le tuyau d'aspiration sans points élevés, ce qui peut emprisonner l'air. (Les points élevés sont des « U » inversés au-dessus de l'orifice d'entrée d'une pompe. Dans le domaine de la plomberie, ceux-ci sont communément appelés des sas alvéolaires).



Meilleure installation



- Pour des installations d'équipement jusqu'à 30 m (100 pi) de l'eau, se référer au diagramme des grosseurs de tuyau dans le tableau. Pour des installations d'équipement de plus de 30 m (100 pi) de l'eau, la grosseur de tuyau recommandée doit passer à la grosseur suivante. Tous les 50 pieds au-delà de 100 pieds, augmentez encore 1/2 po de diamètre.

Taille de tuyau	Aspiration maximale du flux (1,8 mètres (6 pi) par seconde)	Refoulement maximal du flux (2,4 mètres (8 pi) par seconde)
38 mm (1½ po)	140 LPM (37 GPM)	189 LPM (50 GPM)
50 mm (2 po)	235 LPM (62 GPM)	322 LPM (85 GPM)
64 mm (2½ po)	333 LPM (88 GPM)	454 LPM (120 GPM)
76 mm (3 po)	515 LPM (136 GPM)	607 LPM (184 GPM)

Tableau 2. Tableau des tailles de tuyaux pour l'annexe 40 des PVC

- Les pompes FHP viennent équipées de raccords-unions et filetages internes 2" NPT aux orifices d'aspiration et de refoulement. Cette caractéristique simplifie l'installation et l'entretien.
- La pompe SHP doit être connectée à au moins deux (2) canalisations d'évacuation d'eau (sorties d'aspiration) pour chaque conduite d'aspiration de la pompe de piscine. Chaque ensemble de canalisation d'évacuation (raccord d'aspiration) doit être fournie avec des couvercles et doit être listés ou agréés par la dernière version publiée d'ANSI®/ASME® A112.19.8, ou la norme remplaçante, ANSI/APSP-16. Les raccords d'aspiration des canalisations principales d'évacuation doivent être éloignés d'au moins 1 (un) mètre ou se situer sur des plans différents. Les raccords d'aspiration peuvent être constitués d'une canalisation d'évacuation et une écumoire, de deux (2) canalisations d'évacuation, de deux (2) écumoires ou d'une écumoire avec une ligne égalisatrice installée. Pour plus de détails et les instructions, consulter la norme ANSI/APSP 7 pour la prévention du piégeage dans les piscines, les patageoires, les spas, les jacuzzis et les bassins collecteurs. Vérifier les codes locaux pour les normes d'une bonne installation. Les codes locaux applicables ont préséance sur les autres codes.

REMARQUE : Pour éviter le piégeage, le système doit être construit de manière à ne pas pouvoir fonctionner avec une pompe tirant l'eau d'une (1) seule canalisation principale d'évacuation. Au moins deux (2) canalisations principales d'évacuation *doivent* être connectées à la pompe pendant son fonctionnement. Cependant, si deux (2) canalisations principales d'évacuation aboutissent à une seule conduite d'aspiration, cette dernière peut être équipée d'un robinet qui coupera les deux canalisations principales d'évacuation de la pompe.

SOFA non obstruable – Si le code local et l'autorité compétente l'acceptent, un seul SOFA non obstruable peut être utilisé. Pour qu'un SOFA non obstruable soit considéré comme un drain non obstruable en vertu de la loi Virginia Graham Baker Act (VGBA), l'ensemble de raccords de sortie d'aspiration (Suction Outlet Fitting Assembly, SOFA) doit être certifié comme non obstruable et désigné par le fabricant comme non obstruable, et les instructions du fabricant doivent indiquer le SOFA est autorisé pour une utilisation comme sortie d'aspiration non obstruable conformément à la norme ANSI/APSP/ICC-16. Les SOFA certifiés non obstruables doivent être installés conformément aux instructions du fabricant, à la dernière édition de ANSI/PHTA/ICC-7 et au code local applicable.

- La tuyauterie doit être bien soutenue et non comprimée là où des pressions constantes seront exercées.
- Utilisez toujours des valves de taille appropriée. Utilisez le moins de raccords possible. Chaque raccord supplémentaire augmente la résistance et fait travailler la pompe plus fort.

REMARQUE : Si plus de dix (10) raccords d'aspiration sont nécessaires, le diamètre de tuyau doit être augmenté.

- Chaque nouvelle installation doit être testée sous pression conformément aux codes locaux. Vous reporter à la section Essai de pression.

3.2 Installation électrique

3.2.1 Vérifications de la tension

La tension adéquate, telle que spécifiée sur la plaque d'identification de la pompe, est nécessaire pour une bonne performance et une longue durée de vie du moteur. Une tension inappropriée va diminuer le rendement de la pompe et pourrait causer une surchauffe, réduire la durée de vie du moteur et entraîner l'augmentation de la facture d'électricité.

Il est de la responsabilité de l'installateur de fournir la tension fonctionnelle de la pompe figurant sur la plaque d'identification en s'assurant que les bonnes dimensions de circuit et de câble soient utilisées pour cet usage spécifique.

Le Code national de l'électricité (NEC®, NFPA-70®) exige que tous les circuits de la pompe d'une piscine soit protégés par un disjoncteur de fuite à la terre (GFCI). Par conséquent, il est également de la responsabilité de l'installateur électrique qu'il s'assure que le circuit de la pompe est en conformité avec la présente et quelque autre exigence en vigueur du Code national de l'électricité (NEC) et quelque autre code d'installation en vigueur.

⚠ ATTENTION

L'omission de fournir la tension (à 10 % près) figurant sur la plaque d'identification au cours du fonctionnement causera la surchauffe du moteur et annulera la garantie.

3.2.2 Connexion et mise à la terre

- En plus d'une mise à la terre adéquate comme décrite ci-dessous et conformément aux exigences du National Electrical Code (NEC)® ou au Canada le Code Canadien de l'électricité (CCE), le moteur de la pompe doit être relié aux pièces métalliques de la piscine, du spa ou de la cuve thermique et à tous les composants et équipements électriques avec le système de circulation d'eau de la piscine ou du spa.
- La connexion de mise à la terre doit faire à l'aide d'un conducteur de cuivre solide, de l'AWG. de no. 8 ou de plus grand. Au Canada, no. 6 de l'AWG. ou plus grand doit être employé. Collez le moteur utilisant le crochet externe de liaison fourni sur le cadre de moteur.

Le National Electrical Code® (NEC®) requiert la mise à la terre de la piscine. Lorsqu'aucun(e) équipement, structure ou pièce de la piscine mis(e) à la terre n'est en connexion directe avec l'eau de la piscine, l'eau de la piscine devra être en contact direct avec une surface conductrice approuvée résistante à la corrosion qui n'expose pas moins de 5800 mm² (9 po²) de la surface de l'eau de la piscine en tout temps. La surface conductrice devra être située à un endroit où celle-ci n'est pas exposée à des dommages physiques ou à des délogements au cours des activités courantes en piscine, et devra être mise à la terre conformément aux exigences en matière de mise à la terre du NEC Article 680. Se reporter aux codes appliqués localement pour toute exigence supplémentaire en matière de mise à la terre.

⚠ AVERTISSEMENT

Pour éviter le risque des dommages matériels, des blessures graves et/ou de mort, déconnecter toujours la source d'alimentation avant de travailler sur un moteur ou sur sa charge branchée.

Pour éviter le risque des dommages matériels, des blessures graves ou de mort, s'assurer que l'interrupteur de commande, ou l'horodateur, est installé à un endroit accessible afin que, dans l'éventualité d'une défaillance d'équipement ou d'un raccord de plomberie lâche, l'équipement puisse être mis hors tension. Cet endroit ne doit pas être dans la même zone que la pompe de piscine, le filtre et autre équipement.

TAILLE MINIMALE RECOMMANDÉE DE CÂBLE (AWG) POUR LES POMPES FHP*

Distance du sous-panneau		0 à 15 mètres (0-50 pi)		15 à 30 mètres (50-100 pi)		30 à 45 mètres (100-150 pi)		30 à 60 mètres (150-200 pi)		
Modèle	Ampérage des fusibles de dérivation Classe : CC, G, H, J, K, RK ou T		Tension		Tension		Tension		Tension	
	230 VCA	115 VCA	230 VCA	115 VCA	230 VCA	115 VCA	230 VCA	115 VCA	230 VCA	115 VCA
FHPM.75	15 A	15 A	14	12	12	8	10	6	8	6
FHPM1.0	15 A	15 A	14	10	10	8	8	6	8	4
FHPM1.0-2	15 A	S.O.	14	S.O.	10	S.O.	8	S.O.	8	S.O.

*Suppose que trois (3) fils en cuivre dans un conduit enterré et une perte maximale de tension de 3 % dans le circuit branché. Le Code électrique national (NEC®) et les codes locaux doivent être respectés. Le tableau présente les recommandations de tailles minimales de câble et de fusible de dérivation pour une installation typique selon le NEC.

Tableau 3. Taille minimum recommandée de fil pour les pompes FHP

⚠ ATTENTION

Cette pompe doit être connectée en permanence à un circuit électrique dédié. Aucun autre équipement, lumière, appareil ou prise de courant ne peut être connecté au circuit de la pompe à l'exception des dispositifs qui peuvent devoir fonctionner en même temps que la pompe tel qu'un chlorateur ou un appareil de chauffage.

3.2.3 Câblage électrique**⚠ AVERTISSEMENT**

Pour éviter le risqué des dommages matériels, des blessures graves ou de mort, toujours effectuer une mise à la terre avant de connecter à une source de courant électrique.

1. Le moteur de la pompe doit être mis à la terre de manière sécurisée et adéquate en utilisant le tournevis vert fourni. Mettre à la terre avant d'essayer de connecter à une source d'alimentation électrique. *Ne pas mettre à la terre à un tuyau d'alimentation en gaz.*
2. La taille du câble doit être appropriée pour réduire la chute de tension pendant le démarrage et le fonctionnement de la pompe. Voir le tableau pour des tailles suggérées de câbles.
3. Isoler soigneusement toutes les connexions pour empêcher la mise à la terre ou des courts-circuits. Fournir une protection supplémentaire pour les extrémités tranchantes des bornes. Pour empêcher que les serre-fils ne se desserrent, les isoler à l'aide du ruban isolant électrique approprié et homologué (UL, ETL, CSA). Pour des raisons de sécurité et pour empêcher la pénétration de contaminants, replacer tous les couvercles de boîtes de dérivations et de connexions. *Ne pas forcer les connexions à la boîte de dérivation.*
4. Pour configurer le câblage interne du moteur de la pompe du moteur de la pompe à la tension appropriée, se référer au diagramme sur la plaque d'identification du moteur.

3.3 Essai de pression**⚠ AVERTISSEMENT**

Lors de l'essai de pression d'un système à l'eau, de l'air est souvent piégé dans le système pendant le processus de remplissage. Cet air se comprime quand le système est sous pression. Si le système s'avère défaillant, cet air piégé peut propulser des débris à haute vitesse et causer des blessures. Aucun effort ne doit être ménagé pour enlever l'air piégé, y compris l'ouverture du robinet de purge du filtre et le desserrage du couvercle du panier-filtre de la pompe de filtration pendant le remplissage de la pompe.

L'air emprisonné dans le système peut provoquer l'ouverture par soufflage du couvercle du filtre et entraîner la mort, de graves blessures corporelles ou des dommages matériels. Avant d'utiliser le système, s'assurer que tout l'air soit bien expulsé. **NE PAS UTILISER DE L'AIR COMPRIMÉ POUR FAIRE L'ESSAI DE PRESSION OU VÉRIFIER S'IL Y A DES FUITES.**

Ne pas faire d'essai de pression au-delà de 2,4 bars (35 psi). L'essai de pression doit être fait par un professionnel qualifié en piscine. L'équipement de circulation qui n'est pas testé convenablement peut ne pas fonctionner, ce qui pourrait entraîner de graves blessures ou des dommages matériels.

Lors de l'essai de pression d'un système à l'eau, il est très important de s'assurer que le couvercle du panier-filtre de la pompe de filtration est complètement fixé.

1. Remplir le système d'eau en faisant attention de bien expulser l'air piégé.
2. Pressuriser le système d'eau à **2,4 bar (35 psi)** au maximum.
3. Fermer la soupape pour piéger l'eau sous pression dans le système.
4. Observer soigneusement le système pour des fuites ou des chutes de pression.

Section 4. Fonctionnement

4.1 Démarrage

AVERTISSEMENT

Ne jamais faire fonctionner la pompe sans eau. Faire fonctionner la pompe « à sec », quelque soit la durée, peut causer d'importants dommages à la pompe et au moteur et annuler la garantie.

S'il s'agit d'une nouvelle installation de piscine, s'assurer que toute la tuyauterie est dépourvue de débris de construction et que l'essai de pression a été effectué correctement. Vérifier l'installation du filtre, en s'assurant que toutes les connexions et les attaches sont sécurisées conformément aux recommandations du fabricant.

AVERTISSEMENT

Pour éviter tout risque de dommage ou de blessure, vérifier que l'alimentation électrique est coupée avant d'entamer cette procédure.

4.1.1 Pompe sous le niveau de l'eau

1. S'assurer que le couvercle de la pompe est bien sécurisé en vérifiant les indicateurs « Verrouillé » sont alignés avec les orifices de la pompe. **Serrer à la main seulement**, ne pas utiliser d'outils. Veiller à ce que les valves soient ouvertes et que les raccords de la pompe soient serrés.
2. Ouvrir toutes les vannes d'isolement qui pourraient être en place entre la pompe et le ou les principaux drains et la ou les crépines de la piscine.
3. Ouvrir la soupape de décharge d'air qui se trouve sur le filtre. Cela permettra à l'air de s'échapper du système et de remplir la pompe d'eau avec de l'eau pour l'amorçage.
4. Rétablir l'alimentation vers la pompe et démarrer la pompe.
5. Lorsque l'eau commence à sortir de la soupape de décharge d'air sur le filtre, fermer la soupape de décharge d'air.
6. Inspecter le système et afin de savoir si une fuite est présente.

4.1.2 Pompe au-dessus du niveau de l'eau

1. Ouvrir la soupape de décharge d'air qui se trouve sur le filtre.
2. Retirer le couvercle de la pompe et remplir le panier avec de l'eau.
3. Avant de replacer le couvercle, vérifier qu'il n'y a pas de débris autour du siège du joint torique du couvercle. Des débris autour du joint torique dans le couvercle pourraient provoquer une fuite d'air et rendre difficile l'amorçage de la pompe.
4. Serrer le couvercle de la pompe en vérifiant les indicateurs « Verrouillé » sont alignés avec les orifices de la pompe. **Serrer à la main seulement**, ne pas utiliser d'outils. Veiller à ce que toutes les valves soient ouvertes et que les raccords de la pompe soient serrés.
5. Rétablir l'alimentation vers la pompe et démarrer la pompe.

6. Une fois que la pompe est amorcée et que l'eau sort de la soupape de décharge d'air sur le filtre, fermer la soupape de décharge d'air et inspecter le système afin de savoir si une fuite est présente.

REMARQUE : Toutes les pompes dans ce manuel sont certifiées NSF comme pouvant pomper à une hauteur de 3 mètres (10 pi) au-dessus du niveau de l'eau de la piscine, au niveau de la mer. Cependant, pour parvenir à un meilleur auto-amorçage, installer la pompe aussi près que possible du niveau de l'eau de la piscine.

Si la pompe ne s'amorce pas et toutes les instructions à ce stade ont été respectées, vérifier s'il y a une fuite d'aspiration. S'il n'y a pas de fuite, répéter les étapes 1 à 5.

Pour une assistance technique, appeler le soutien technique Zodiac au 800 822-7933.

Section 5. Service et entretien

5.1 Nettoyer le panier de la pompe

⚠ ATTENTION

Un panier-filtre mal aligné empêchera le bon placement du couvercle, permettant une fuite d'air qui pourrait endommager la pompe.

Les débris présents dans le panier de la pompe provoquent une restriction et doivent être retirés. Inspectez le panier de la pompe à la recherche de débris en regardant à travers le couvercle transparent de la pompe. Nettoyer au minimum une fois par semaine pour maintenir les performances de la pompe.

Couper l'alimentation électrique de la pompe. Si la pompe est située en dessous du niveau de l'eau, fermer les clapets d'isolement des côtés aspiration et refoulement de la pompe afin d'empêcher le reflux de l'eau.

1. Tourner l'anneau de fermeture du couvercle selon le sens antihoraire jusqu'à ce que le repère « START » s'aligne sur les ports. Enlever soigneusement le couvercle.

⚠ AVERTISSEMENT

Pour éviter le risque des dommages matériels, des blessures graves ou de mort, éteindre la pompe et couper le disjoncteur du moteur de la pompe avant d'effectuer l'entretien.

2. Soulever le panier-filtre hors de la pompe. Retirer les débris et nettoyer soigneusement le panier, en s'assurant que tous les trous sont dégagés.
3. Remettre le panier-filtre en place dans la pompe en alignant l'ouverture avec le tuyau d'aspiration. Si l'alignement est bien fait, le panier-filtre tombera facilement en place. *Ne pas forcer en place.*
4. Retirer le joint torique du couvercle et enlever les débris autour du joint torique du couvercle car leur présence causera des fuites d'air dans le système. Nettoyer le joint torique d'étanchéité et le placer sur le couvercle.
5. Remplacer le couvercle et son anneau de fermeture dans le boîtier de la pompe. Aligner le repère « START » sur les ports et tourner l'anneau de fermeture selon le sens horaire jusqu'à ce que le repère « LOCKED » s'aligne sur les ports. *Serrer à la main le couvercle pour une fermeture hermétique. Ne pas utiliser d'outils pour serrer le couvercle.*
6. Vérifier que tous les robinets ont été replacés à la position correcte pour l'utilisation normale.
7. Ouvrir le détendeur de pression sur le filtre et s'assurer qu'il est propre et prêt à fonctionner.
8. Rétablir l'alimentation électrique de la pompe. Dès que tout l'air est expulsé du filtre, fermer le détendeur de pression du filtre.

5.2 Hivernage de la pompe

⚠ ATTENTION

La pompe doit être protégée lorsque des températures glaciales sont prévues. Laisser la pompe geler l'endommagera gravement et annulera la garantie.

Ne pas utiliser d'antigel dans les systèmes de piscine, de spa ou de jacuzzi! Les antigels sont hautement toxiques et peuvent endommager le système de circulation. La seule exception est le propylène glycol. Pour plus d'information, se référer au fournisseur local de piscine ou de spa ou contacter une société agréée de services de piscine.

1. Drainer *toute* l'eau de la pompe, de l'équipement du système et de la tuyauterie.
2. Retirer les deux (2) bouchons de vidange. Garder les bouchons de vidange en lieu sûr et les réinstaller quand la saison froide est passée. *Prendre soin de ne pas perdre les joints toriques.*
3. Garder le moteur sec et couvert. Ne pas recouvrir la pompe avec du plastique car cela entraînera la condensation et l'humidité endommagera la pompe.

- REMARQUE :** Pour protéger votre pompe, Zodiac Pool Systems Canada, Inc. recommande de faire déconnecter correctement le câblage électrique au niveau de la boîte de commutation ou de jonction par un technicien qualifié ou un électricien agréé. Dès que l'alimentation est coupée, les deux (2) raccords-unions peuvent être desserrés et la pompe rangée à l'intérieur. Pour des raisons de sécurité et pour empêcher la pénétration de contaminants, replacer tous les couvercles de boîtes de dériviations et de connexions.
4. Quand le système est fonctionnel à nouveau, s'assurer que toute la tuyauterie, les robinets, le câblage et l'équipement sont conformes aux recommandations du fabricant. Faire particulièrement attention au filtre et aux connexions électriques.
 5. La pompe doit être amorcée avant le démarrage.

Section 6. Dépannage

Zodiac Pool Systems Canada, Inc. recommande fortement d'appeler un technicien de service agréé pour effectuer toute réparation sur le système de filtre et la pompe. Pour trouver un technicien agréé, vérifier les pages jaunes locales ou visiter www.zodiacpoolsystems.ca et cliquer sur « Mon Zodiac/Soutien après-vente ».

6.1 Dépannage

Symptôme	Problème ou solution possible
Le système de circulation ou de nettoyage ne fonctionne pas bien.	Vérifier que les écuimoires, les paniers-filtre et autres tamis sont propres. Nettoyer au besoin. Vérifier le filtre et nettoyer au besoin. Vérifier les positions des robinets. Ajuster au besoin. REMARQUE : De multiples parties d'équipement fonctionnant en même temps (par exemple, chutes d'eau, jets de spa et retours de surface) peuvent entraver le bon fonctionnement du système de nettoyage. Vérifier le manuel de nettoyage du système pour s'assurer que le système est réglé conformément aux recommandations du fabricant.
Des bulles apparaissent dans le panier-filtre.	De l'air dans le système. Vérifier le niveau d'eau de la piscine ou du spa pour s'assurer qu'il est approprié et que l'air n'est pas aspiré dans la tuyauterie. Si l'eau est à un niveau normal, couper la pompe. Enlever le couvercle et vérifier qu'il n'y a pas de débris autour du siège du joint torique du couvercle ou que l'installation de joint d'étanchéité du couvercle soit adéquate car l'un ou l'autre de ces deux inconvénients causera des fuites d'air dans le système. Nettoyer le joint torique d'étanchéité et le placer sur le couvercle. Serrer le couvercle à la main pour une fermeture hermétique. Ne pas utiliser d'outils pour serrer le couvercle. Redémarrer la pompe.
Les fuites d'air sont encore présentes.	Vérifier le raccord-union du côté de la tuyauterie d'aspiration. Pendant que la pompe fonctionne, essayer de serrer le raccord-union. Si cela n'arrête pas la fuite d'air, couper l'alimentation de la pompe. Desserrer les deux raccords-unions et glisser la pompe hors du chemin. Enlever, nettoyer et remettre à la fois les raccords-unions et les joints toriques. Repositionner la pompe près de la tuyauterie et fixer solidement les boulons de raccord-union à la pompe. Avec des raccords-unions et des joints toriques propres, le serrage des raccords-unions devrait sceller le tout. Si les raccords-unions ne scellent pas, serrer doucement avec une grande paire de pinces multiprise. <i>Ne serrer pas plus qu'il ne faut.</i>
Il n'y a pas d'air dans le système mais la pression est encore faible.	Il est possible que des débris soient coincés dans la turbine de la pompe. La turbine de la pompe déplace l'eau et les pales de la turbine peuvent être bloquées par les débris. 1. Couper la pompe. Fermer le disjoncteur du moteur de la pompe. 2. Ôter le couvercle et le panier-filtre. 3. Regarder à l'intérieur de la pompe pour des débris. Enlever tout débris trouvé à l'intérieur. 4. Replacer le panier-filtre et le couvercle. 5. Ouvrir le disjoncteur du moteur de la pompe. 6. Démarrer la pompe et observer si le problème est résolu. 7. Si la turbine est encore bloquée par les débris et qu'il ne soit pas possible de les enlever en procédant de l'étape 2 à l'étape 4, la pompe devra être démontée pour accéder aux orifices d'entrée et de sortie de la turbine.
Il n'y a pas de débris bloquant la turbine et la pression est toujours faible.	La turbine de la pompe et le diffuseur présentent des signes d'usure normale. Faire vérifier et remplacer au besoin la turbine et le diffuseur par un technicien d'entretien agréé. Si la pompe fait partie d'une installation relativement nouvelle, cela pourrait être un problème électrique. Communiquer avec un technicien d'entretien agréé. Faire vérifier par un technicien que des connexions électriques ne soient pas lâches et vérifier la tension du moteur de la pompe en fonctionnement. La tension doit être celle indiquée sur la plaque de données du moteur, à 10 % près. Si la tension n'est pas à 10 % près, communiquer avec un électricien agréé ou le fournisseur locale en électricité.
La pompe a une fuite d'eau entre le moteur et le corps de la pompe.	Elle est causée par un joint d'étanchéité mécanique endommagé ou défaillant. Le joint d'étanchéité de la pompe a une fuite d'air. Faire remplacer le joint d'étanchéité par un technicien d'entretien agréé.
La pompe s'échauffe et coupe périodiquement.	S'assurer qu'il y a assez d'espace autour du moteur pour la circulation d'air pour garder le moteur à basse température. Faire vérifier par un technicien agréé que des connexions ne soient pas lâches et vérifier la tension du moteur de la pompe en fonctionnement. La tension doit être celle indiquée sur la plaque de données du moteur, à 10 % près. Si la tension n'est pas à 10 % près, communiquer avec un électricien agréé ou le fournisseur locale en électricité.

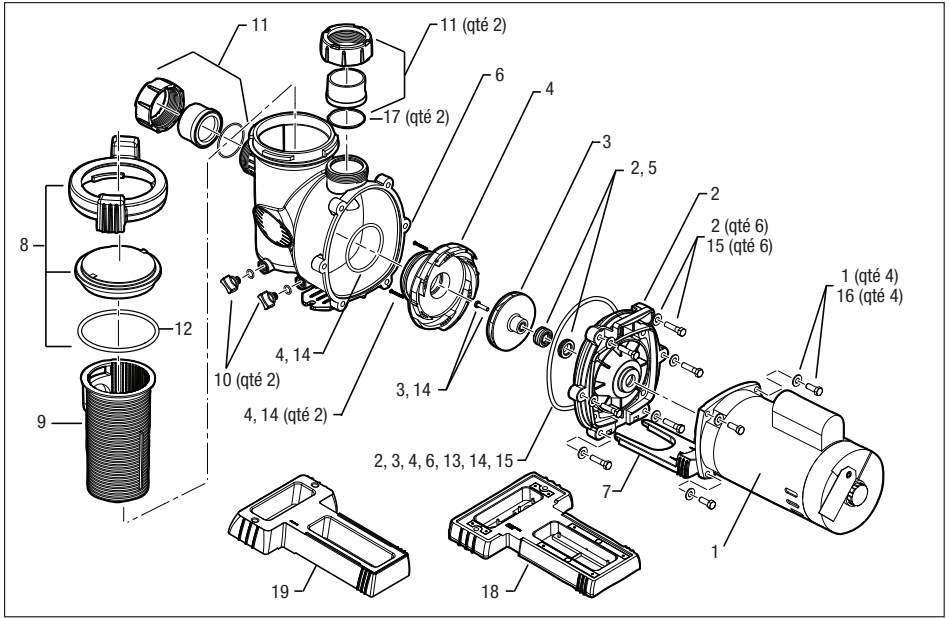
Section 7. Caractéristiques du produit et données techniques

7.1 Liste des pièces de rechange

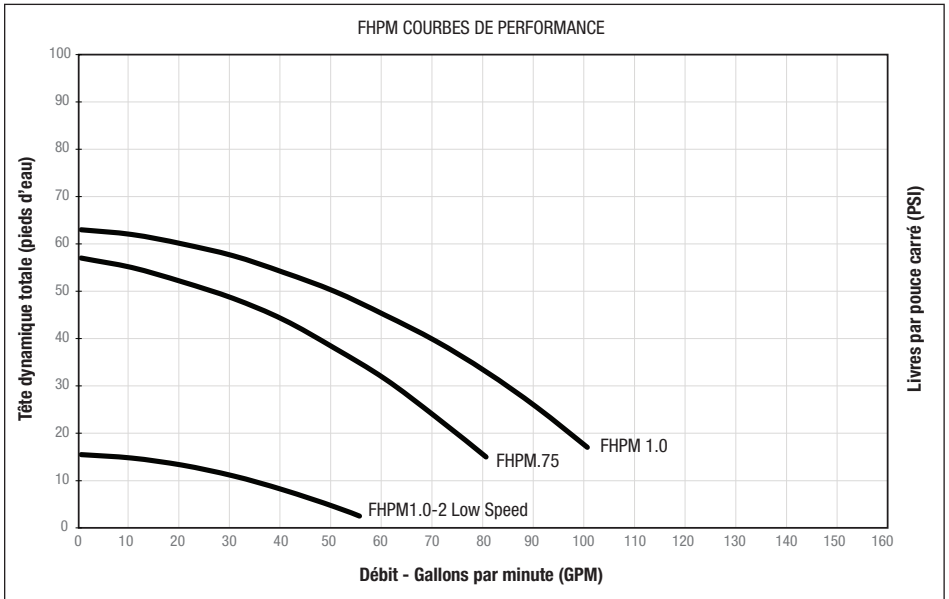
Pour commander ou acheter des pièces de pompes Jandy, communiquer avec le revendeur Zodiac le plus proche. Si le distributeur Zodiac ne peut pas vous fournir ce dont vous avez besoin, communiquer avec le service à la clientèle Zodiac au 1.888.647.4004 ou envoyer un message électronique à customerservicePSC@zodiac.com.

Clé No.	Description	Modèle N°	Numéro de la pièce commandée
1	Matériel et moteur à vitesse simple, FHP	0.75	R0479310
1	Matériel et moteur à vitesse simple, FHP	1.0	R0479311
1	Matériel et moteur à vitesse simple, FHP	1.5	R0479312
1	Matériel et moteur à vitesse simple, FHP	2.0	R0479313
1	Matériel et moteur à vitesse simple, FHP	2.5	R0479314
1	Matériel et moteur à double vitesse, FHP	1.0	R0479306
1	Matériel et moteur à double vitesse, FHP	1.5	R0479307
1	Matériel et moteur à double vitesse, FHP	2.0	R0479308
2	Ensemble de la plaque arrière avec matériel et joints mécaniques, FHP	Tout	R0479500
3	Turbine et vis avec joint torique, FHP	0.75	R0479601
3	Turbine et vis avec joint torique, FHP	1.0, 1.0-2	R0479602
3	Turbine et vis avec joint torique, FHP	1.5, 1.5-2	R0479603
3	Turbine et vis avec joint torique, FHP	2.0, 2.0-2	R0479604
3	Turbine et vis avec joint torique, FHP	2.5	R0479605
4	Diffuseur avec le joint torique et le matériel, FHP	0.75, 1.0, 1.0-2	R0479702
4	Diffuseur avec le joint torique et le matériel, FHP	1.5, 1.5-2, 2.0, 2.0-2, 2.5	R0479701
5	Joint mécanique, carbone et céramique	Tout	R0479400
6	Corps de la pompe, FHP	Tout	R0479800
7	Pied de fixation du moteur, FHP	Tout	R0479900
8	Ensemble couvercle et anneau de fermeture, FHP	Tout	R0480000
9	Panier de filtre de débris de la pompe, FHP	Tout	R0480100
10	Bouchon de vidange avec joint torique	Tout	R0446000
11	Ensemble about, joint torique et écrou-union (Paquet de 2)	Tout	R0327301
12	Joint torique du couvercle, FHP	Tout	R0480200
13	Joint torique de la plaque arrière, FHP	Tout	R0480300
14	Ensemble diffuseur et matériel de turbine avec joint torique	Tout	R0480400
15	Ensemble de matériel pour plaque arrière	Tout	R0480500
16	Ensemble de matériel pour le moteur	Tout	R0446700
17	Joint torique de l'about (Paquet de 2)	Tout	R0337601
18	Petite base	Tout	R0486700
19	Grande base (en option)	Tout	R0546400

7.2 Vue éclatée du FHP



7.3 Courbes de rendement



7.4 Spécifications physiques et fonctionnelles

7.4.1 Spécifications

Numéro du modèle	THP	WEF (Facteur d'énergie pondérée)	Tension	Ampères	Taille de tuyau	Poids de la caisse	Longueur globale 'A'
FHPM.75	0,95	4,1/4,3	230/115	5,4/10,8	135 à 50 mm (1½-2 po)	40,6	59 cm (23 3/8 po)
FHPM1.0	1,14	3,6	230/115	7,1/14,2	135 à 50 mm (1½-2 po)	41,2	59 cm (23 3/8 po)
FHPM1.0-2	1,14	5,6	230	7,1/2,3	135 à 50 mm (1½-2 po)	46,5	62 cm (24 1/4 po)

Tableau 4. Spécifications de la pompe FHPM

7.4.2 Dimensions

Le tableau 1 montre la hauteur de la pompe FHP dans les quatre (4) configurations énumérées ci-dessous. Le figure 3 de la section 3.1.3.1 présentent les schémas de ces quatre (4) configurations.

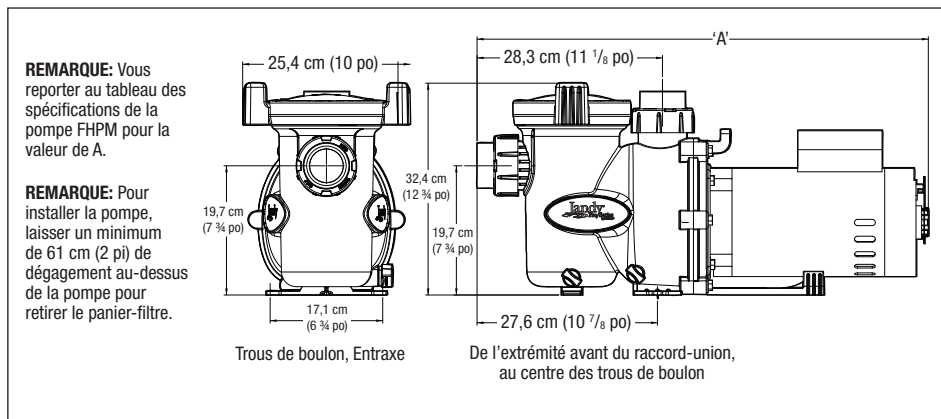


Figure 6. Les Dimensions de la pompe FHP (sans la base ni les entretoises)

A Fluidra Brand | Jandy.com | Jandy.ca
2882 Whiptail Loop # 100, Carlsbad, CA 92010, USA | 1.800.822.7933
2-3365 Mainway, Burlington, ON L7M 1A6, Canada | 1.800.822.7933

©2024 Zodiac Pool Systems LLC. Tous droits réservés. Toutes les autres marques de commerce mentionnées sont la propriété de leurs propriétaires respectifs.

H0315300_REVU

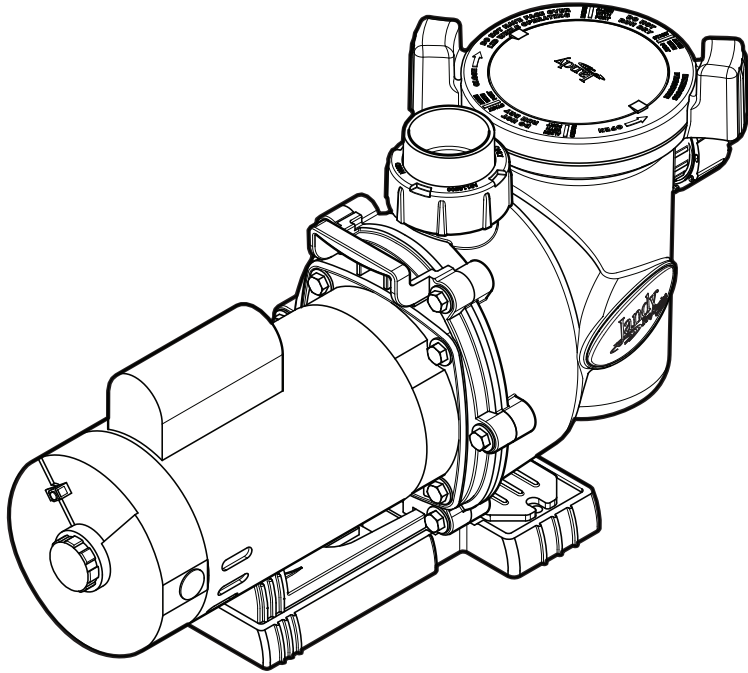


Certified to
NSF/ANSI/CAN 50



Intertek

EST CONFORME À UL 1081
AGRÉE AU CSA C22.2 NO 108



FHP

Bombas de una o dos velocidades

Modelos: FHPM.75
FHPM1.0
FHPM1.0-2

En este manual se incluyen las instrucciones esenciales de instalación y puesta en marcha. La información adicional sobre el funcionamiento y la solución de problemas se tiene disponible en línea escaneando el código QR con su teléfono o visitando jandy.com



⚠ ADVERTENCIA

ADVERTENCIA POR SU SEGURIDAD – Este producto debe ser instalado y reparado por un contratista autorizado y cualificado en equipos de piscinas por la jurisdicción en la que se instalará el producto cuando existan tales requisitos estatales o locales. La persona encargada de realizar el servicio debe ser un profesional con suficiente experiencia en la instalación y el mantenimiento del equipo de piscina para que todas las instrucciones de este manual puedan seguirse correctamente. Lea y siga todas las advertencias e instrucciones que acompañan a este producto antes de instalarlo. El incumplimiento de los avisos de advertencia y las instrucciones puede provocar daños materiales, lesiones personales o la muerte.

La instalación y/o el funcionamiento inadecuados pueden crear un peligro eléctrico no deseado que puede causar lesiones graves, daños materiales o la muerte.



ATENCIÓN INSTALADOR – Este manual contiene información importante sobre la instalación, el funcionamiento y el uso seguro de este producto. Esta información debe entregarse al propietario u operador de este equipo.

Contenido

Sección 1. Instrucciones importantes de seguridad.....	37	Sección 5. Servicio y mantenimiento.....	47
1.1 Instrucciones de seguridad	37	5.1 Limpiar la canasta de la bomba	47
1.2 Pautas para la prevención de atrapamiento por la succión de la bomba	38	5.2 Preparación de la bomba para el invierno	47
Sección 2. Manual de uso	40	Sección 6. Resolución de problemas	48
2.1 Introducción.....	40	6.1 Resolución de problemas.....	48
Sección 3. Instalación	40	Sección 7. Especificaciones del producto y datos técnicos.....	49
3.1 Tuberías	40	7.1 Lista de repuestos	49
3.2 Instalación eléctrica	44	7.2 Vista ampliada del modelo FHP	50
3.3 Pruebas de presión.....	45	7.3 Curvas de desempeño.....	50
Sección 4. Operación	46	7.4 Especificaciones físicas y operativas	51
4.1 Puesta en marcha.....	46		

REGISTRO DE INFORMACIÓN DEL EQUIPO

FECHA DE INSTALACIÓN _____

INFORMACIÓN DEL INSTALADOR _____

LECTURA INICIAL DEL MANÓMETRO (CON FILTRO LIBRE) _____

MODELO DE BOMBA _____

CABALLOS DE FUERZA _____

NOTAS _____

Sección 1. Instrucciones importantes de seguridad

LEA Y SIGA TODAS LAS INSTRUCCIONES

1.1 Instrucciones de seguridad

Todos los trabajos de electricidad deben ser realizados por un electricista matriculado y adherir a todas las normativas nacionales, estatales y locales. Cuando se instale y utilice este equipo eléctrico, se deberán seguir siempre las siguientes precauciones básicas de seguridad:

⚠ ADVERTENCIA

PELIGRO DE ATRAPAMIENTO POR SUCCIÓN QUE, SI NO SE EVITA, PUEDE PROVOCAR LESIONES GRAVES O LA MUERTE. No bloquee la succión de la bomba, ya que esto puede provocar lesiones graves o la muerte. No use esta bomba para piscinas infantiles, piscinas de poca profundidad o espás que contengan drenajes en el fondo, a menos que la bomba esté conectada a por lo menos dos (2) salidas de succión en funcionamiento o de acuerdo con la versión más reciente de ANSI®/PHTA®/ICC-7 la norma para evitar el atrapamiento por succión en piscinas, piscinas infantiles, espás, hidromasajes y cuencas hidrográficas. El conjunto de salida (drenaje) de succión y su cubierta deben estar certificadas en la edición publicada más reciente de ANSI®/ASME® A112.19.8 o su norma sucesora, ANSI/APSP-16.

Para reducir el riesgo de lesiones, no permita que los niños usen este producto.

Para reducir el riesgo de daños materiales o lesiones, no intente cambiar la posición de la válvula de reextracción (multipuerto, deslizando o de flujo completo) con la bomba en funcionamiento.

Las bombas Jandy están impulsadas por un motor eléctrico de alto voltaje y deben ser instaladas por un electricista matriculado o certificado o por un técnico de servicio de piscinas cualificado.

RIESGO DE DESCARGAS ELÉCTRICAS, INCENDIOS, LESIONES PERSONALES O MUERTE. Conecte solamente a un ramal que esté protegido por un interruptor de circuito a tierra (GFCI). Contacte a un electricista autorizado si no puede verificar que el circuito está protegido por un GFCI. El instalador debe proporcionar un GFCI, que debe probarse con frecuencia. Para probar el GFCI, presione el botón de prueba. El GFCI debe interrumpir la energía. Presione el botón Reset (Restablecer). La energía debe restablecerse. Si el GFCI no funciona de esta forma, significa que tiene algún defecto. Si el GFCI interrumpe la alimentación a la bomba sin que se presione el botón de prueba, significa que hay corriente de tierra, lo que a su vez indica la posibilidad de electrocución. No utilice la bomba. Desconecte la bomba y solicite a un representante de servicio cualificado que solucione el problema antes de utilizarla.

Debido al posible riesgo de incendios, descargas eléctricas o lesiones personales, las bombas Jandy deben instalarse en conformidad con National Electrical Code® (NEC®), todos los códigos eléctricos y de seguridad locales y la Ley de Seguridad y Salud Ocupacionales (Occupational Safety and Health Act [OSHA®]). Es posible solicitar ejemplares de NEC a National Fire Protection Association® (NFPA®) a través de la página www.nfpa.org o del número 617-770-3000, o contactar a su organismo gubernamental de inspección local.

Un equipo instalado incorrectamente puede fallar y provocar lesiones graves o daños materiales.

- No conecte el sistema a un sistema de agua municipal sin regular ni a ninguna otra fuente externa de agua presurizada que produzca presiones de más de 35 PSI.
- El aire atrapado en el sistema puede provocar que la tapa del filtro salga expulsada, lo que puede provocar la muerte, lesiones personales graves o daños materiales. Asegúrese de que no haya nada de aire en el sistema antes de operarlo.

Para minimizar el riesgo de lesiones graves o de muerte, no se deben someter el filtro ni la bomba a la prueba de presurización del sistema de tuberías.

Las normativas locales pueden requerir que el sistema de tuberías de la piscina sea sometido a una prueba de presión. Estos requisitos no suelen estar destinados a los equipos para piscinas como filtros o bombas.

Los equipos para piscinas Zodiac® se someten a pruebas de presión en la fábrica.

Sin embargo, si no se puede respetar la ADVERTENCIA y las pruebas de presión del sistema de tuberías deben incluir el filtro o la bomba, **ASEGÚRESE DE CUMPLIR LAS SIGUIENTES INSTRUCCIONES DE SEGURIDAD:**

- Verifique en su totalidad las abrazaderas, los tornillos, las tapas, los anillos de bloqueo y los accesorios del sistema para asegurar que estén correctamente instalados y fijos antes de la prueba.
- **LIBERE TODO EL AIRE** del sistema antes de la prueba.
- La presión de agua para la prueba **NO DEBE EXCEDER LOS 35 psi.**

- La temperatura del agua para la prueba NO DEBE EXCEDER LOS 100 °F (38 °C).
- Limite la prueba a 24 horas. Después de la prueba, verifique visualmente el sistema para asegurar que esté listo para su operación.

AVISO: Estos parámetros se aplican únicamente a los equipos Zodiac. En el caso de equipos ajenos a Zodiac, consulte al fabricante del equipo.

Los derrames y las emanaciones químicas pueden debilitar los equipos de la piscina/del hidromasaje. La corrosión puede provocar la falla de los filtros y de otros equipos, lo que puede provocar lesiones graves o daños materiales. No almacene productos químicos para la piscina cerca de los equipos.

⚠ PRECAUCIÓN

¡No ponga en marcha la bomba en seco! Si se hace funcionar la bomba en seco durante la cantidad de tiempo que sea, ocurrirán daños graves y se anulará la garantía.

Esta bomba es para su uso en piscinas permanentes y también se puede utilizar en jacuzzis e hidromasajes si estuviera indicado. No use este producto con piscinas almacenables. Las piscinas permanentes están construidas dentro del suelo o sobre él, o en un edificio de tal manera que no se pueden desmontar para su almacenamiento. Las piscinas almacenables están construidas de manera que pueden ser fácilmente desmontadas para su almacenamiento y pueden volver a montarse para que tengan su estado original.

No realice la instalación dentro de un recinto exterior ni debajo del revestimiento del jacuzzi o hidromasaje portátil. La bomba requiere una ventilación adecuada para mantener una temperatura del aire menor a la temperatura ambiente máxima nominal detallada en la placa de calificaciones nominales del motor.

GUARDE ESTAS INSTRUCCIONES

1.2 Pautas para la prevención de atrapamiento por la succión de la bomba

⚠ ADVERTENCIA



PELIGRO DE SUCCIÓN. Puede provocar lesiones graves o la muerte. No use esta bomba para piscinas infantiles, piscinas de poca profundidad o espás que contengan drenajes en el fondo, a menos que la bomba esté conectada a por lo menos dos (2) salidas de succión, en funcionamiento o de acuerdo con la versión más reciente de ANSI®/PHTA®/ICC-7 la norma para evitar el atrapamiento por succión en piscinas, piscinas infantiles, espás, hidromasajes y cuencas hidrográficas.os que la bomba esté conectada por lo menos a dos (2) salidas de succión en funcionamiento.

La succión de la bomba es peligrosa y puede atrapar y ahogar o descuartizar a los bañistas. No use ni opere piscinas, hidromasajes ni jacuzzis si falta una cubierta de salida de succión, o está rota o floja. Las siguientes pautas proporcionan información para la instalación de la bomba que minimiza el riesgo de lesiones para los usuarios de piscinas, hidromasajes y jacuzzis:

Protección contra el atrapamiento: El sistema de succión de la bomba debe proporcionar protección contra los peligros del atrapamiento por succión.

Cubiertas de la salida de succión: Todas las salidas de succión deben tener cubiertas correctamente instaladas y atornilladas en su lugar. Todos los conjuntos de salida de succión (drenaje) y sus cubiertas deben mantenerse correctamente. Los conjuntos de salida de succión (drenaje) y sus cubiertas deben estar incluidos/certificados en la edición publicada más reciente de ANSI®/ASME® A112.19.8 o su norma sucesora, ANSI/APSP-16. Deben reemplazarse si están agrietadas o rotas, o si faltan.

Cantidad de salidas de succión por bomba: proporcione al menos dos (2) drenajes principales balanceados hidráulicamente con cubiertas, como salidas de succión para cada línea de succión de la bomba de circulación. Los centros de los drenajes principales (salidas de succión) de cualquier línea de succión individual deben estar al menos a tres (3) pies de distancia de centro a centro.

El sistema *debe* construirse para incluir al menos dos (2) salidas (drenajes) de succión conectadas a la bomba siempre que la bomba esté en funcionamiento. Sin embargo, si dos (2) drenajes principales van a una única línea de succión, la única línea de succión puede estar equipada con una válvula que apague ambos drenajes principales desde la bomba. El sistema se construirá de tal modo que no permita el cierre o el aislamiento separado independiente de cada drenaje. Consulte la Figura 1.

Es posible conectar más de una (1) bomba a una única línea de succión siempre que se cumplan los requisitos anteriores.

SOFA desbloqueable – Si es aceptable por el código local y la Autoridad Competente (AHJ), se puede utilizar un único SOFA desbloqueable. Para que un SOFA desbloqueable pueda considerarse un desagüe desbloqueable en virtud de la Ley Graham Baker de Virginia (VGBA), el conjunto de accesorios de salida de succión (SOFA) deberá estar certificado como desbloqueable y ser designado por el fabricante como desbloqueable. Las instrucciones del fabricante deberán indicar que el SOFA está autorizado para su uso como salida de succión desbloqueable de conformidad con ANSI/APSP/ICC-16. Los SOFA desbloqueables certificados deben instalarse de acuerdo con las instrucciones del fabricante, la edición más reciente de ANSI/PHTA/ICC-7 y el código local aplicable.

Velocidad del agua - La velocidad máxima del agua a través del conjunto de salida de succión y su cubierta para cualquier salida de succión no debe superar el caudal máximo de diseño del conjunto de acople de succión y de sus cubiertas. El conjunto de salida de succión (drenaje) y su cubierta deben cumplir la versión más reciente de ANSI/ASME A112.19.8, la norma para acoples de succión utilizados en piscinas, piscinas infantiles, hidromasajes y jacuzzis o su norma sucesora, ANSI/APSP-16.

Si el 100 % del caudal de la bomba proviene del sistema de drenaje principal, la velocidad máxima del agua en el sistema hidráulico de succión de la bomba debe ser de (6) pies por segundo o menos, incluso si un (1) drenaje principal (salida de succión) está completamente bloqueado. El caudal a través de los demás drenajes principales debe cumplir con la versión más reciente de ANSI/ASME A112.19.8, o su norma sucesora, ANSI/APSP-16, la norma para acoples de succión para usarse en piscinas, piscinas infantiles, hidromasajes y jacuzzis.

Pruebas y certificación - Los conjuntos de salida de succión y sus cubiertas deben haber sido probados por un laboratorio de pruebas con reconocimiento nacional y debe haberse determinado que cumplen la edición publicada más reciente de ANSI/ASME A112.19.8 o su norma sucesora, ANSI/APSP-16, la norma para acoples de succión para usarse en piscinas, piscinas infantiles, hidromasajes y jacuzzis.

Acoples: Los acoples restringen el flujo; para más eficiencia, use la menor cantidad de acoples posible (pero al menos dos [2] salidas de succión o SOFA desbloqueables certificados).

Evite los acoples que pueden provocar que quede aire atrapado.

Los acoples de succión del limpiador de la piscina deben cumplir las normas aplicables de la International Association of Plumbing and Mechanical Officials (IAPMO).

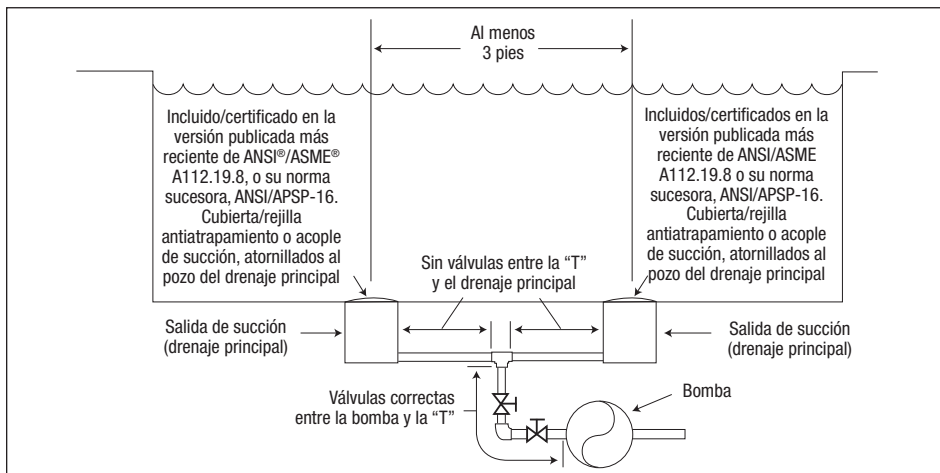


Figura 1. Cantidad de salidas de succión por bomba*

***SOFA desbloqueable** – Si es aceptable por el código local y la Autoridad Competente (AHJ), se puede utilizar un único SOFA desbloqueable. Para que un SOFA desbloqueable pueda considerarse un desagüe desbloqueable en virtud de la Ley Graham Baker de Virginia (VGBA), el conjunto de accesorios de salida de succión (SOFA) deberá estar certificado como desbloqueable y ser designado por el fabricante como desbloqueable. Las instrucciones del fabricante deberán indicar que el SOFA está autorizado para su uso como salida de succión desbloqueable de conformidad con ANSI/APSP/ICC-16. Los SOFA desbloqueables certificados deben instalarse de acuerdo con las instrucciones del fabricante, la edición más reciente de ANSI/PHTA/ICC-7 y el código local aplicable.

Sección 2. Manual de uso

2.1 Introducción

Este manual contiene información para la instalación, la operación y el mantenimiento correctos de las bombas FHP (modelos FHPM). Los procedimientos de este manual se deben seguir exactamente. Para obtener copias adicionales de este manual, comuníquese con Zodiac Pool Systems LLC al 1-800-822-7933.

Este manual también incluye una guía de “Servicio y mantenimiento” y “Resolución de problemas” en las secciones 5 y 6. Después de la instalación, entregue este manual al propietario de la piscina como referencia.

Sección 3. Instalación

3.1 Tuberías

3.1.1 Preparación

- Al recibir la bomba, verifique que la caja no esté dañada. Abra la caja y verifique que se incluyeron todas las piezas. Revise la bomba en busca de daños ocultos, como grietas, abolladuras o una base doblada. Si encuentra algún daño, comuníquese con el transportista o con el distribuidor al que le compró la bomba.

3.1.2 Ubicación de la bomba

<h2>⚠ ADVERTENCIA</h2> <p>Para disminuir el riesgo de incendio, instale los equipos para piscinas en una zona donde no se acumulen hojas u otros residuos sobre los equipos o alrededor de ellos. Mantenga la zona circundante sin residuos como papel, hojas, agujas de pino y otros materiales combustibles.</p>
--

- Para conseguir una mejor autocebado, Zodiac Pool Systems LLC recomienda instalar la bomba hasta dos pies (60 cm) por arriba del nivel del agua. Aunque las bombas FHPM están certificadas para una elevación autocebante de 10 pies, cuando se instalan a más de 2 pies por encima del nivel del agua, se recomienda instalar una válvula de retención en la línea de succión de la bomba para ayudar a mantener el agua en las tuberías cuando la bomba está apagada.

NOTA: Se logra un mejor autocebado si se instala la bomba lo más cerca posible del nivel de agua de la piscina.

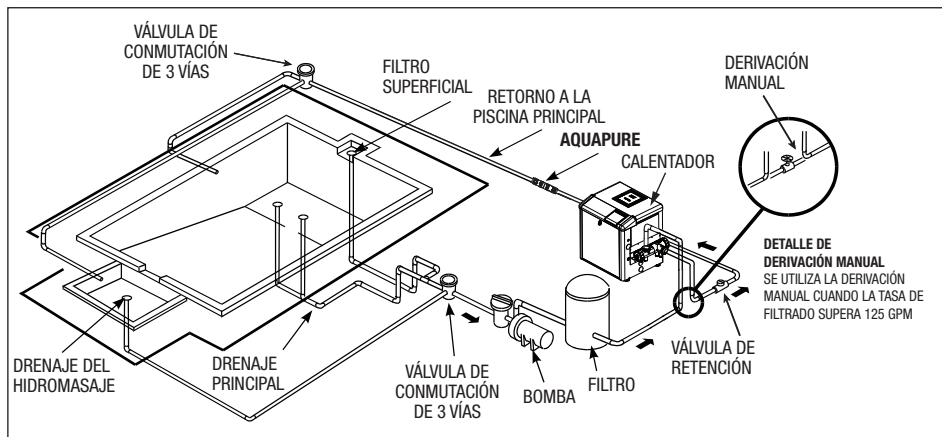


Figura 2. Instalación típica de las tuberías

- Si la bomba está ubicada por debajo del nivel del agua, *deben* instalarse válvulas de aislamiento en las tuberías de succión y de retorno para evitar el reflujo del agua de la piscina durante los servicios de rutina o los requeridos.

⚠ ADVERTENCIA

Algunos dispositivos de sistema de seguridad de alivio de vacío (*Safety Vacuum Release System, SVRS*) no son compatibles con la instalación de válvulas de retención. Si la piscina tiene un dispositivo SVRS, asegúrese de confirmar que continuará operando de manera segura cuando se instale alguna la válvula de retención.

- Instale la bomba de modo tal que cualquier medio de desconexión o caja de conexiones para la conexión de energía esté a la vista desde la bomba y a al menos cinco (5) pies horizontalmente desde el borde de la piscina o del hidromasaje. Elija una ubicación que minimice los dobleces en la tubería.

NOTA: En Canadá, la distancia mínima mantenida desde el borde de la piscina o el hidromasaje según se indica arriba debe ser de 3 metros (10 pies), según lo requiere el Código Eléctrico Canadiense (CEC, CSA C22.1).

- La bomba debe instalarse en una superficie firme, sólida y nivelada para evitar el riesgo de asentamiento. No use arena para nivelar la bomba, ya que la arena se lava. Revise los códigos de construcción locales para conocer cualquier requisito adicional (p. ej., las bases de los equipos en Florida deben ser de hormigón y el equipo debe fijarse a la base).

NOTA: Zodiac Pool Systems LLC recomienda la aplicación de pernos para fijar la bomba directamente a los cimientos.

- Los cimientos de la bomba deben tener un drenaje adecuado para evitar que el motor se humedezca. La bomba debe protegerse de la lluvia y del sol.
- Se requiere una ventilación adecuada para que la bomba funcione normalmente. Todos los motores generan calor que debe eliminarse con una ventilación correcta.

- A fin de proporcionar acceso para los servicios futuros, deje una zona libre alrededor de la bomba. Deje mucho espacio arriba de la bomba para quitar la tapa y la canasta para su limpieza.
- Si el equipo está cubierto, proporcione una iluminación adecuada.

3.1.3 Reemplazo de una bomba existente

Las bombas FHPM de Jandy pueden utilizarse para sustituir a otras bombas del mercado de recambios utilizando la base ajustable y los distanciadores incluidos. Consulte la figura 3 para ver una lista de las bombas que pueden sustituirse y las configuraciones de base que deben utilizarse. Tenga en cuenta que la base grande (opción 4) se vende por separado (R-kit R0546400).

3.1.3.1 Base pequeña con distanciadores

- Con una herramienta manual para cortar, corte las barras plásticas que conectan los conjuntos superior e inferior de espaciadores.
- Empuje los dos (2) espaciadores superiores y los dos (2) espaciadores inferiores fuera de la base.
- Alinee los pasadores de los cuatro (4) espaciadores con los orificios de la base y presione los espaciadores en su lugar.

Configuración de la base	Altura del lado de succión	Bomba Altura
1. Bomba sin base	7 3/4"	12 3/4"
2. Bomba con base	8 7/8"	13 7/8"
3. Bomba con base y distanciadores	9 1/8"	14 1/8"
4. Bomba con base pequeña y grande	10 3/4"	15 3/4"

Tabla 1. Dimensiones de la base ajustable

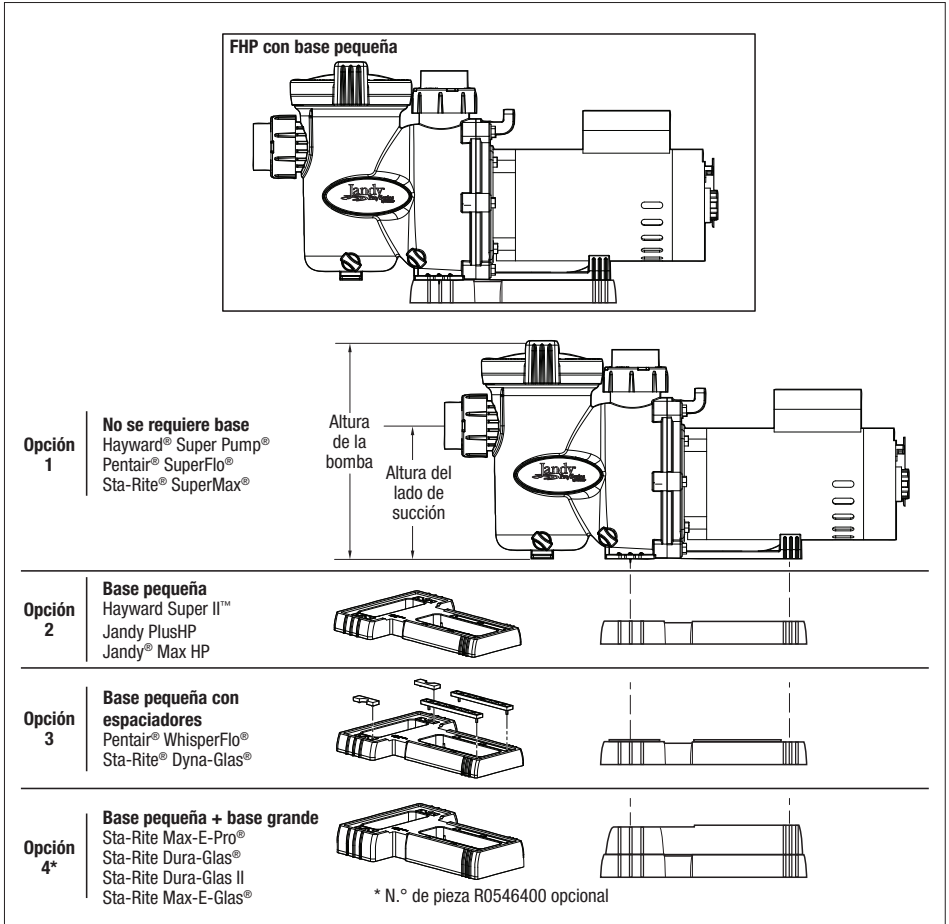


Figura 3. Bomba FHP y opciones de base

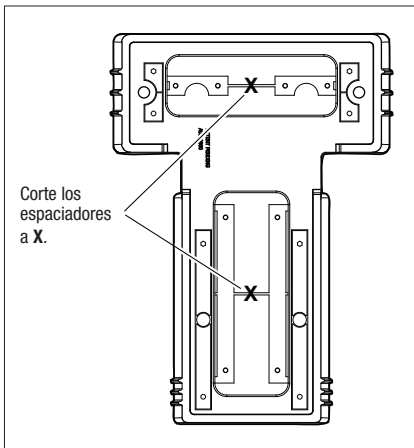


Figura 4. Corte los conjuntos de espaciadores de la base

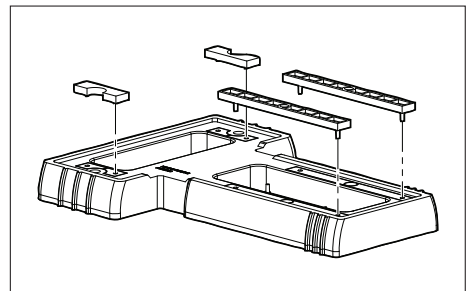


Figura 5. Presione los espaciadores hasta que queden en su lugar

Hayward® y Super Pump® son marcas registradas de Hayward Industries, Inc.

Pentair® es una marca registrada de Pentair, Inc.

SuperFlo® y WhisperFlo® son marcas registradas de Pentair Water Pool and Spa, Inc.

3.1.4 Tamaño de los tubos

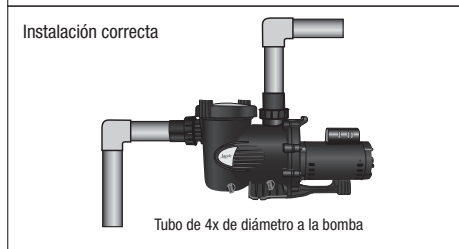
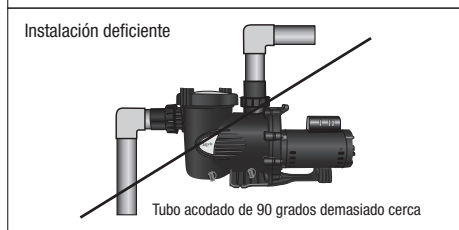
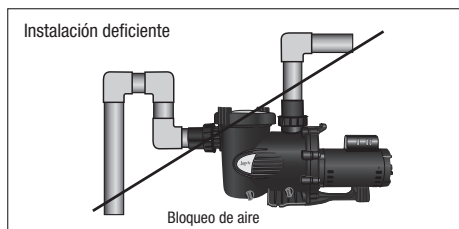
3.1.4.1 Tamaño del tubo de succión y descarga

Cuando la bomba está ubicada a una distancia de hasta 50 pies de la piscina, el tamaño mínimo recomendado de los tubos cédula 40 para el lado de aspiración y el lado de descarga de la bomba es de 1 1/2" para FHPM.75 y de 2" para FHPM1.0 y FHPM1.0-2.

NOTA: Si el tubo es demasiado pequeño para la bomba o si la bomba está demasiado elevada sobre el agua, es probable que no se entreguen los galones por minuto (GPM) máximos. Si esto sucede, la bomba generará una bolsa de aire (cavitación) que producirá ruido y puede acortar la vida útil de la bomba.

3.1.4.2 Recomendaciones para la instalación

1. Si la bomba está ubicada por debajo del nivel del agua, *deben* instalarse válvulas de aislamiento en ambos lados de la bomba para evitar el reflujo del agua de la piscina durante los servicios de rutina o los requeridos.
2. Para ayudar a evitar dificultades en el cebado, instale los tubos de succión sin puntos altos que pudieran atrapar aire. (Los puntos altos son U invertidas sobre la entrada de una bomba. En plomería, comúnmente se los denomina esclusas).



Instalación excelente



Coloque los tubos acodados de entrada y salida de forma curva para lograr una eficiencia máxima

3. Para la instalación de equipos a una distancia de hasta 100 pies del agua, consulte el gráfico de tamaños de tubos en la tabla. Para la instalación de equipos a una distancia superior a los 100 pies del agua, el tamaño recomendado del tubo debe ser el posterior al actual. Por cada 50 pies por encima de 100 pies, aumente otro 1/2" de diámetro.

Tamaño de tubo	Succión de flujo máxima (6 pies por segundo)	Descarga de flujo máxima (8 pies por segundo)
1½"	37 GPM (140 LPM)	50 GPM (189 LPM)
2"	62 GPM (235 LPM)	85 GPM (322 LPM)
2½"	88 GPM (333 LPM)	120 GPM (454 LPM)
3"	136 GPM (515 LPM)	184 GPM (607 LPM)

Tabla 2. Tabla de tamaños de tubos para PVC cédula 40

4. Las bombas FHP vienen equipadas con uniones y roscas internas de 2" NPT en los puertos de succión y de descarga. Esta característica simplifica la instalación y el servicio.
5. La bomba FHP debe estar conectada, por lo menos, a un mínimo de dos (2) drenajes principales (salidas de succión) para cada línea de succión de la bomba de la piscina. Cada conjunto de drenaje (salida de succión) debe proporcionarse con cubiertas y debe estar incluido o certificado según la versión publicada más reciente de ANSI®/ ASME® A112.19.8, o su norma sucesora, ANSI/APSP-16. Las salidas de succión de los drenajes principales deben tener una separación de al menos 3 pies o estar en planos diferentes. Las salidas de succión pueden consistir en un drenaje y filtro superficial, dos (2) drenajes, dos (2) filtros superficiales, o un filtro superficial con una línea de compensación instalada. Para obtener más pautas y detalles, consulte ANSI/APSP 7, la norma para *Prevención de atrapamiento por succión en piscinas, piscinas infantiles, hidromasajes y jacuzzis*. Consulte los códigos locales para conocer los requisitos de instalación correctos. Los códigos locales pertinentes tendrán precedencia sobre otros códigos.

NOTA: Para prevenir el atrapamiento, el sistema debe construirse de tal forma que no pueda operar si la bomba extrae agua de solo un (1) drenaje principal. Debe haber al menos dos (2) drenajes principales conectados a la bomba cuando está en funcionamiento. Sin embargo, si dos (2) drenajes principales van a una única línea de succión, la única línea de succión puede estar equipada con una válvula que apague ambos drenajes principales desde la bomba.

TAMAÑO MÍNIMO DE CABLE RECOMENDADO (AWG) PARA BOMBAS FHP*										
Distancia del subpanel			0-50 pies		50-100 pies		100-150 pies		150-200 pies	
Modelo	Disyuntor de tiempo inverso o fusible de ramal AMPS Clase: CC, G, H, J, K, RK o T		Voltaje		Voltaje		Voltaje		Voltaje	
	230 VCA	115 VCA	230 VCA	115 VCA	230 VCA	115 VCA	230 VCA	115 VCA	230 VCA	115 VCA
FHPM.75	15 A	15 A	14	12	12	8	10	6	8	6
FHPM1.0	15 A	15 A	14	10	10	8	8	6	8	4
FHPM1.0-2	15 A	N/D	14	N/D	10	N/D	8	N/D	8	N/D

* Se presume la existencia de tres (3) conductores de cobre en un tubo aislador enterrado y una pérdida de voltaje máxima del 3 % en el circuito de la derivación. Deben cumplirse todas las normativas locales y National Electrical Code® (NEC®). La tabla muestra el tamaño de cable mínimo y las recomendaciones sobre el fusible de derivación para una instalación corriente conforme al NEC.

Tabla 3. Tamaño mínimo de cable recomendado para bombas FHP.

SOFA desbloqueable – Si es aceptable por el código local y la Autoridad Competente (AHJ), se puede utilizar un único SOFA desbloqueable. Para que un SOFA desbloqueable pueda considerarse un desagüe desbloqueable en virtud de la Ley Graham Baker de Virginia (VGBA), el conjunto de accesorios de salida de succión (SOFA) deberá estar certificado como desbloqueable y ser designado por el fabricante como desbloqueable. Las instrucciones del fabricante deberán indicar que el SOFA está autorizado para su uso como salida de succión desbloqueable de conformidad con ANSI/APSP/ICC-16. Los SOFA desbloqueables certificados deben instalarse de acuerdo con las instrucciones del fabricante, la edición más reciente de ANSI/PHITA/ICC-7 y el código local aplicable.

- La tubería debe tener un buen soporte y no debe estar forzada a aglomerarse en lugares donde estará sujeta a estrés constante.
- Use siempre válvulas del tamaño correcto. Utilice la menor cantidad de empalmes posible. Cada empalme adicional aumenta la resistencia, lo que hace que la bomba trabaje con más esfuerzo.

NOTA: Si son necesarios más de 10 acoples de succión, se debe aumentar el tamaño del tubo.

- Cada nueva instalación debe someterse a pruebas de presión en conformidad con las normativas locales. Consulte la sección *Pruebas de presión*.

3.2 Instalación eléctrica

3.2.1 Verificaciones de voltaje

El voltaje correcto, según se especifica en la placa con instrucciones técnicas de la bomba, es necesario para un desempeño adecuado y para que el motor tenga una vida útil prolongada. El voltaje incorrecto disminuirá el desempeño de la bomba y puede ocasionar sobrecalentamiento, reducir la vida útil del motor y aumentar el costo de las facturas de electricidad.

Es responsabilidad del instalador eléctrico verificar los tamaños de circuitos y de cables correctos para la aplicación específica y así proporcionar el voltaje operativo de la placa de datos a la bomba.

National Electrical Code® (NEC®, NFPA-70®) requiere que todos los circuitos de una piscina estén protegidos con un interruptor por falla a tierra (GFCI).

Por lo tanto, también es responsabilidad del instalador eléctrico asegurar que el circuito de la bomba cumpla este requisito y todos los demás requisitos aplicables de National Electrical Code (NEC) y de cualquier otra normativa de instalación aplicable.

⚠ PRECAUCIÓN

Si no se proporciona el voltaje de la placa de datos (dentro del 10 %) durante la operación, el motor se sobrecalentará y se anulará la garantía.

3.2.2 Conexión equipotencial y conexión a tierra

- Además de tener un conexión a tierra adecuada según se describe a continuación y en conformidad con los requisitos de National Electrical Code® (NEC®) o, en Canadá, del Código Eléctrico Canadiense (CEC), debe haber una conexión equipotencial entre el motor de la bomba y todas las piezas metálicas de la estructura de la piscina, el hidromasaje o el jacuzzi y todos los componentes y equipos eléctricos relacionados con el sistema de circulación de agua de la piscina/del hidromasaje.
- La conexión equipotencial se debe realizar con un conductor de cobre macizo AWG n.º 8 o superior. En Canadá, debe usarse n.º 6 AWG o uno más grande. Haga la conexión equipotencial del motor con la terminal de conexión equipotencial externa proporcionada en el bastidor del motor.

National Electrical Code® (NEC®) requiere la conexión equipotencial del agua de la piscina. Cuando ninguno de los equipos, de las estructuras o de las piezas de la piscina con conexión equipotencial están en conexión directa con el agua de la piscina, el agua de la piscina debe estar en contacto directo con una superficie conductora aprobada resistente a la corrosión que exponga no menos de 5800 mm² (9 in²) del área superficial al agua de la piscina en todo momento. La superficie conductora debe estar ubicada donde no esté expuesta a daños físicos ni a su desalojamiento durante las actividades habituales en la piscina, y debe estar conectada equipotencialmente según los requisitos de conexión equipotencial de NEC Artículo 680. Consulte los códigos aplicados localmente para cualquier requisito adicional de conexión equipotencial.

⚠ ADVERTENCIA

Para evitar el riesgo de daños materiales, lesiones personales graves o la muerte, siempre desconecte el suministro eléctrico antes de trabajar con un motor o su carga conectada.

Para evitar el riesgo de daños materiales, lesiones personales graves o la muerte, asegúrese de tener un interruptor de control o reloj instalados en un lugar accesible para que en el caso de que un equipo falle o un acople de plomería se afloje, el equipo se pueda apagar. Esta ubicación no debe estar en la misma zona de la bomba de la piscina, del filtro ni de otros equipos.

⚠ PRECAUCIÓN

La bomba debe estar conectada permanentemente a un circuito eléctrico dedicado. No se deben conectar otros equipos, luces, artefactos o salidas al circuito de la bomba, a excepción de los dispositivos que deben funcionar de manera simultánea con la bomba, como el dispositivo clorador o el calentador.

3.2.3 Cableado eléctrico

⚠ ADVERTENCIA

Para evitar el riesgo de daños materiales, lesiones personales graves o la muerte, realice siempre una conexión a tierra antes de la conexión con el suministro de energía eléctrica.

1. El motor de la bomba debe conectarse a tierra de manera segura y adecuada con el tornillo verde que se proporciona. Conecte a tierra antes de intentar conectar a un suministro de energía eléctrica. *No conecte a tierra a una línea de suministro de gas.*
2. El tamaño del cable debe ser el adecuado para minimizar caídas de voltaje durante el arranque y la operación de la bomba. Consulte la tabla para obtener los tamaños de cable sugeridos.
3. Aísle todas las conexiones con cuidado para evitar la conexión a tierra o los cortocircuitos. Proporcione protección adicional para todos los bordes filosos en los terminales. Para evitar que las tuercas de los cables se aflojen, envuélvalas con una cinta adecuada de aislamiento eléctrico incluida (UL, ETL, CSA). Por seguridad, y para evitar el ingreso de contaminantes, reinstale todas las cubiertas de la caja de distribución y de la caja de terminales. *No fuerce las conexiones a la caja de distribución.*
4. Para configurar el cableado interno del motor de la bomba según el voltaje correcto, consulte el diagrama en la placa de datos del motor.

3.3 Pruebas de presión

⚠ ADVERTENCIA

Cuando se llevan a cabo pruebas de presión en un sistema con agua, con frecuencia queda aire atrapado en el sistema durante el proceso de llenado. Este aire se comprimirá cuando se presurice el sistema. Si el sistema falla, este aire atrapado puede propulsar residuos a alta velocidad y provocar lesiones. Se debe tomar todo el recaudo posible para eliminar el aire atrapado, incluido abrir la válvula de purga del filtro y aflojar la tapa de la canasta de la bomba en la bomba del filtro mientras se llena la bomba.

⚠ ADVERTENCIA

El aire atrapado en el sistema puede ocasionar que la tapa del filtro salga expulsada, lo que puede provocar la muerte, lesiones personales graves o daños materiales. Asegúrese de que todo el aire haya sido eliminado del sistema antes de operar. **NO USE AIRE COMPRIMIDO PARA LLEVAR A CABO PRUEBAS DE PRESIÓN O VERIFICAR QUE NO HAYA FUGAS.**

No realice pruebas de presión por arriba de los 35 PSI. Un profesional de piscinas capacitado debe llevar a cabo las pruebas de presión. Un equipo de circulación que no se pruebe correctamente puede fallar, lo que puede ocasionar lesiones graves o daños materiales.

Al llevar a cabo pruebas de presión en el sistema con agua, es muy importante garantizar que la tapa de la canasta de la bomba en la bomba del filtro esté completamente asegurada.

1. Llene el sistema de agua y verifique que se elimina el aire atrapado.
2. Presurice el sistema con agua a no más de **35 PSI**.
3. Cierre la válvula para atrapar el agua presurizada en el sistema.
4. Observe con cuidado que no haya fugas ni reducción de la presión en el sistema.

Sección 4. Operación

4.1 Puesta en marcha

PRECAUCIÓN

Nunca haga funcionar la bomba sin agua. Si se hace funcionar la bomba "en seco" durante la cantidad de tiempo que sea, pueden ocurrir daños graves en la bomba y en el motor y se anulará la garantía.

Si se trata de una instalación de piscina nueva, asegúrese de que ninguna de las tuberías tenga residuos de construcción y de que todas las tuberías hayan sido sometidas correctamente a pruebas de presión. Controle que la instalación del filtro sea la adecuada y que todas las conexiones y las abrazaderas estén aseguradas de acuerdo con las recomendaciones del fabricante.

ADVERTENCIA

Para evitar riesgos de daños materiales, lesiones personales graves o la muerte, verifique que toda la corriente esté apagada antes de comenzar con este procedimiento.

4.1.1 Bomba por debajo del nivel del agua

1. Asegúrese de que la tapa de la bomba esté fija. Para eso, verifique que los indicadores de "locked" (Bloqueado) estén alineados con los puertos de la bomba. **Apriete solo con la mano**, no use herramientas. Asegúrese de que las válvulas estén abiertas y que las uniones de la bomba estén ajustadas.
2. Abra cualquier válvula de aislamiento que pudiera haber entre la bomba y los drenajes y filtros superficiales principales de la piscina.
3. Abra la válvula de alivio de aire del filtro. Esto permitirá que el aire comience a escaparse del sistema y llenará la bomba con agua para el cebado.
4. Restaure la energía a la bomba e inicie la bomba.
5. Cuando comience a salir agua de la válvula de alivio de aire del filtro, cierre la válvula de alivio de aire.
6. Inspeccione el sistema en busca de fugas.

4.1.2 Bomba por arriba del nivel del agua

1. Abra la válvula de alivio de aire del filtro.
2. Extraiga la tapa de la bomba y llene la canasta de agua.
3. Antes de volver a colocar la tapa, verifique que no haya residuos alrededor del asiento de la junta tórica de la tapa. Los residuos alrededor del asiento de la junta tórica en la tapa pueden provocar una fuga de aire. Esto dificultará que la bomba se cebe.
4. Ajuste la tapa. Para eso, verifique que los indicadores de "locked" (Bloqueado) de la tapa estén alineados con los puertos de la bomba. **Apriete solo con la mano**, no use herramientas. Asegúrese de que todas las válvulas estén abiertas y de que las uniones de la bomba estén ajustadas.

5. Restaure la energía a la bomba e inicie la bomba.
6. Después de que la bomba se haya cebado y de que salga agua de la válvula de alivio de aire del filtro, cierre la válvula de alivio de aire e inspeccione el sistema en busca de fugas.

NOTA: Todas las bombas de este manual tienen el certificado NSF porque pueden purgarse a alturas de hasta 10 pies por arriba del nivel de agua de la piscina, a nivel del mar. Sin embargo, para lograr un mejor autocebado, instale la bomba lo más cerca posible del nivel de agua de la piscina.

Si la bomba no se ceba y se siguieron todas las instrucciones hasta este punto, verifique que no haya fugas de succión. Si no hay fugas, repita los pasos 1 a 5.

7. Para obtener ayuda técnica, llame al soporte técnico de Zodiac al 800.822.7933..

Sección 5. Servicio y mantenimiento

5.1 Limpiar la canasta de la bomba

⚠ ADVERTENCIA

Para evitar riesgos materiales, lesiones personales graves o la muerte, apague la bomba y el disyuntor del motor de la bomba antes de realizar un servicio a la bomba.

Los residuos en la canasta de la bomba provocan obstrucción y deben limpiarse. Inspeccione la canasta de la bomba para determinar que no haya residuos. Limpiar semanalmente como mínimo para mantener el rendimiento de la bomba.

Corte la energía de la bomba. Si la bomba está ubicada por debajo del nivel del agua, cierre las válvulas de aislamiento de los lados de succión y de descarga de la bomba para evitar el reflujo de agua.

1. Gire el anillo de bloqueo de la tapa en sentido antihorario hasta que "START" [Inicio] se alinee con los puertos. Quite la tapa con cuidado.

⚠ PRECAUCIÓN

Si la canasta está mal alineada, la tapa se asentará incorrectamente, lo que producirá una fuga de aire, y esto puede provocar daños en la bomba.

2. Levante la canasta y sáquela de la bomba. Elimine todos los residuos y limpie bien la canasta. Asegúrese de que todos los orificios estén abiertos.
3. Vuelva a colocar la canasta de la bomba mediante la alineación de la sección abierta de la canasta con el tubo de entrada. Si se alinea correctamente, la canasta caerá fácilmente en su lugar. *No la fuerce para que quede ajustada en su lugar.*
4. Quite la junta tórica de la tapa y elimine los residuos alrededor del asiento de la junta tórica de la tapa, ya que pueden causar fugas de aire hacia el sistema. Limpie la junta tórica de la tapa y vuelva a colocarla.
5. Vuelva a colocar la tapa con anillo de bloqueo en el armazón de la bomba. Alinee "START" [Inicio] con los puertos y gire el anillo de bloqueo de la tapa en sentido horario hasta que "LOCKED" [Bloqueado] se alinee con los puertos. *Apriete a mano la tapa para lograr un sello hermético. No use ninguna herramienta para apretar la tapa.*
6. Verifique que todas las válvulas hayan regresado a la posición correcta para el funcionamiento normal.
7. Abra la válvula de seguridad del filtro y asegure que esté limpia y lista para la operación.
8. Encienda la energía a la bomba. Después de que todo el aire haya sido evacuado del filtro, cierre la válvula de seguridad del filtro.

5.2 Preparación de la bomba para el invierno

⚠ PRECAUCIÓN

La bomba *debe* protegerse cuando se esperen temperaturas por debajo del punto de congelamiento. Si se permite que la bomba se congele, se producirán daños graves y se anulará la garantía.

¡No use soluciones anticongelantes en los sistemas de la piscina, del hidromasaje o del jacuzzi! El anticongelante es extremadamente tóxico y puede dañar el sistema de circulación. La única excepción es el propilenglicol. Para obtener más información, visite su tienda local de suministros para piscinas/hidromasajes o comuníquese con una empresa de servicio de piscina cualificada.

1. Drene *toda* el agua de la bomba, del equipo del sistema y de la tubería.
2. Quite los dos (2) tapones de vaciado. Guarde los tapones de vaciado en un lugar seguro y vuelva a instalarlos cuando finalice la estación de clima frío. *No pierda las juntas tóricas.*
3. Mantenga cubierto y seco el motor. No lo cubra con plástico ya que puede crear condensación y esa humedad daña la bomba.

- NOTA:** Para proteger su bomba, Zodiac Pool Systems LLC recomienda que solicite a un técnico de servicio o electricista cualificados que desconecte correctamente el cableado eléctrico del interruptor o de la caja de conexiones. Después de cortar el suministro eléctrico, se pueden aflojar las dos (2) uniones y la bomba se puede guardar en interiores. Por seguridad, y para evitar el ingreso de contaminantes, reinstale todas las cubiertas de la caja de distribución y de la caja de terminales.
4. Cuando vuelva a abrir el sistema para su operación, asegúrese de que todas las tuberías, las válvulas, los cableados y los equipos estén en conformidad con las recomendaciones del fabricante. Preste mucha atención al filtro y a las conexiones eléctricas.
 5. La bomba debe cebarse antes de ponerse en marcha.

Sección 6. Resolución de problemas

Zodiac Pool Systems LLC recomienda con énfasis que llame a un técnico de servicio cualificado para llevar a cabo cualquier reparación en el sistema de la bomba. Para encontrar a un técnico cualificado, consulte las páginas amarillas locales o visite www.zodiacpoolsystems.com y haga clic en "Asistencia".

6.1 Resolución de problemas

Sintoma	Posible problema/solución
El sistema de limpieza/circulación no está funcionando correctamente.	<p>Verifique que las canastas del recolector, la canasta de la bomba y otras pantallas estén limpias. Limpie según sea necesario.</p> <p>Si hay un filtro instalado en el sistema, controle el filtro y limpie si fuera necesario.</p> <p>Verifique la posición de las válvulas. Ajuste según resulte necesario.</p> <p>NOTA: Múltiples piezas de equipos que funcionan a la vez (por ejemplo, cascadas, chorros de hidromasajes y retornos superficiales) pueden afectar el sistema de limpieza e impedir que funcione correctamente.</p> <p>Consulte el manual del sistema de limpieza para verificar que el sistema se ajusta a las recomendaciones del fabricante.</p>
Presencia de burbujas en la canasta de la bomba.	<p>Hay aire en el sistema. Verifique el nivel del agua de la piscina o del hidromasaje para asegurar que sea el correcto y que no entre aire a las tuberías de succión. Si el nivel del agua es normal, apague la bomba. Gire el anillo de bloqueo de la tapa en sentido antihorario hasta que "START" [Inicio] se alinee con los puertos. Quite la tapa y verifique que no haya residuos alrededor del asiento del sello de la tapa o una instalación incorrecta del sello de la tapa, ya que cualquiera de estas situaciones ocasionará una fuga de aire en el sistema. Limpie el sello de la tapa y la ranura de la tapa. Tenga en cuenta que un (1) lado del sello de la tapa tiene dos (2) salientes y el otro tiene uno (1). Coloque el lado con dos (2) salientes en la ranura de la tapa. Vuelva a colocar la tapa en el armazón de la bomba. Alinee "START" [Inicio] con los puertos y gire el anillo de bloqueo de la tapa en sentido horario hasta que "LOCKED" [Bloqueado] se alinee con los puertos. <i>Apriete a mano</i> la tapa para lograr un sello hermético. <i>No use ninguna herramienta para apretar la tapa. Vuelva a encender la bomba.</i></p>
Todavía hay fugas de aire presentes.	<p>Verifique la unión de la tubería del lado de succión. Con la bomba en funcionamiento, intente apretar la unión. Si esto no detiene la fuga de aire, apague la bomba. Afloje ambas uniones y deslice la bomba fuera del lugar. Extraiga, limpie y vuelva a instalar ambas juntas tóricas de la unión.</p> <p>Vuelva a posicionar la bomba junto a la tubería y fije las tuercas de la unión a la bomba. Con juntas tóricas de unión limpias, apriete a mano las uniones para crear un sello. Si las uniones todavía no se sellan, apriete levemente con una pinza con ranura y lengüeta.</p> <p><i>No apriete en exceso.</i></p>
No hay aire en el sistema pero la presión continúa siendo baja.	<p>Es posible que haya residuos atrapados en el impulsor de la bomba. El impulsor de la bomba mueve el agua, y los álabes del impulsor pueden bloquearse con residuos.</p> <ol style="list-style-type: none"> 1. Apague la bomba. Apague el disyuntor del motor de la bomba. 2. Quite la tapa y la canasta. 3. Busque residuos dentro de la bomba. Elimine cualquier residuo que haya encontrado dentro. 4. Vuelva a colocar la canasta y la tapa. 5. Encienda el disyuntor del motor de la bomba. 6. Encienda la bomba y vea si se resolvió el problema. 7. Si el impulsor continúa bloqueado con residuos y no es posible eliminarlos con los pasos 2 a 4, es necesario desarmar la bomba para acceder a la entrada y a la salida del impulsor.
No hay residuos que bloqueen el impulsor y la presión continúa siendo baja.	<p>El impulsor de la bomba y el difusor muestran señales de desgaste normal. Indique a un técnico de servicio cualificado que verifique el impulsor y el difusor y que los reemplace según resulte necesario.</p> <p>Si la bomba es parte de una instalación relativamente nueva, puede tratarse de un problema eléctrico. Comuníquese con un técnico de servicio cualificado. Indique al técnico que verifique que no haya conexiones eléctricas sueltas y verifique el voltaje en el motor de la bomba mientras está en funcionamiento. El voltaje debe estar dentro del 10 % de la clasificación nominal de la placa de datos del motor. Si el voltaje no está dentro del 10 %, comuníquese con un electricista cualificado y/o con el proveedor de servicio de energía local.</p>
Hay fugas de agua en la bomba entre el motor y el cuerpo de la bomba.	<p>Esto es provocado por un sello mecánico dañado o defectuoso. Hay una fuga de aire en el sello de la bomba. Indique a un técnico de servicio cualificado que reemplace el sello.</p>
La bomba se calienta y se apaga periódicamente.	<p>Asegúrese de que haya espacio suficiente alrededor del motor para hacer circular aire y mantener el motor fresco. Solicite a un electricista cualificado que detecte conexiones flojas y controle el voltaje del motor de la bomba mientras está en funcionamiento. El voltaje debe estar dentro del 10 % de la clasificación nominal de la placa de datos del motor. Si el voltaje no se encuentra dentro del 10 %, comuníquese con un electricista cualificado con el proveedor del servicio eléctrico local.</p>

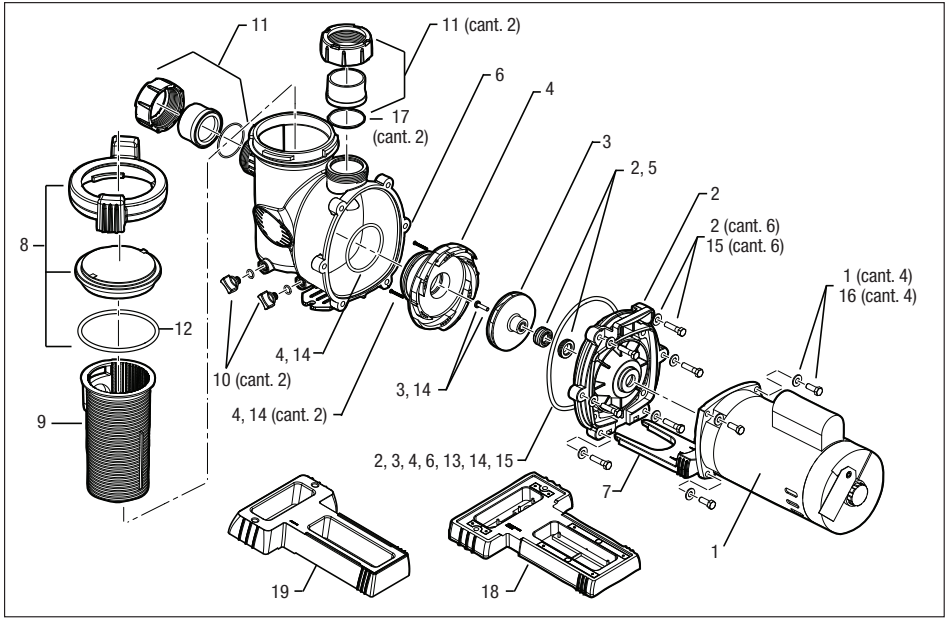
Sección 7. Especificaciones del producto y datos técnicos

7.1 Lista de repuestos

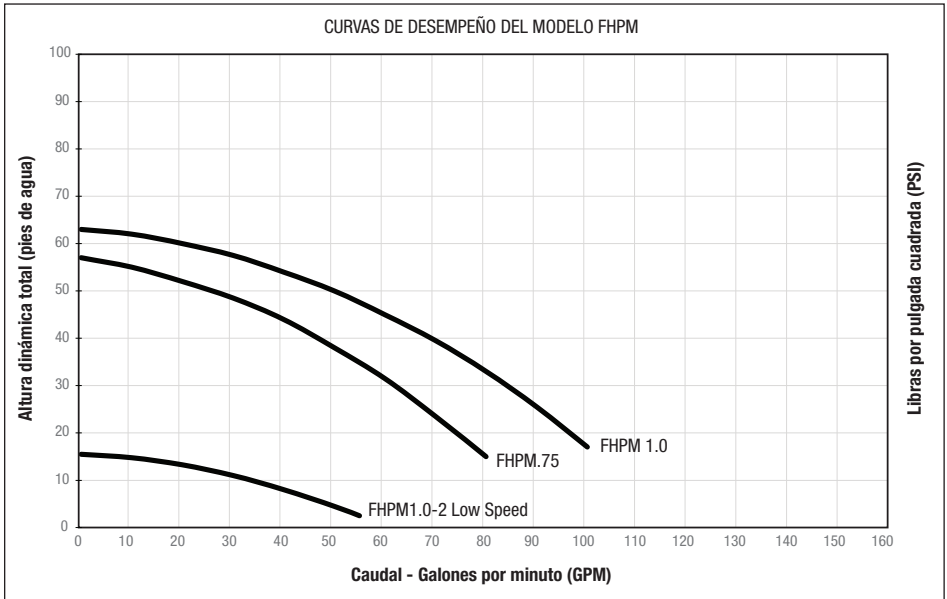
Para pedir o comprar piezas para las bombas Jandy, comuníquese con el distribuidor de Zodiac más cercano. Si el distribuidor de Zodiac no le puede proporcionar lo que usted necesita, comuníquese con el soporte técnico de Zodiac al 1-800-822-7933, o escriba a productsupport@zodiac.com.

Clave N.º	Descripción	N.º de modelo	N.º de pedido de la pieza
1	Motor de una velocidad y tornillería, FHP	0.75	R0479310
1	Motor de una velocidad y tornillería, FHP	1.0	R0479311
1	Motor de una velocidad y tornillería, FHP	1.5	R0479312
1	Motor de una velocidad y tornillería, FHP	2.0	R0479313
1	Motor de una velocidad y tornillería, FHP	2.5	R0479314
1	Motor de dos velocidades y tornillería, FHP	1.0	R0479306
1	Motor de dos velocidades y tornillería, FHP	1.5	R0479307
1	Motor de dos velocidades y tornillería, FHP	2.0	R0479308
2	Placa posterior, FHP (placa posterior con tornillería, junta tórica y sello mecánico de la placa posterior)	Todos	R0479500
3	Impulsor, FHP (impulsor, tornillo con junta tórica y junta tórica de la placa posterior)	0.75	R0479601
3	Impulsor, FHP (impulsor, tornillo con junta tórica y junta tórica de la placa posterior)	1.0, 1.0-2	R0479602
3	Impulsor, FHP (impulsor, tornillo con junta tórica y junta tórica de la placa posterior)	1.5, 1.5-2	R0479603
3	Impulsor, FHP (impulsor, tornillo con junta tórica y junta tórica de la placa posterior)	2.0, 2.0-2	R0479604
3	Impulsor, FHP (impulsor, tornillo con junta tórica y junta tórica de la placa posterior)	2.5	R0479605
4	Difusor, FHP (difusor con junta tórica, tornillería, junta tórica de la placa posterior)	0.75 , 1.0 , 1.0-2	R0479702
4	Difusor, FHP (difusor con junta tórica, tornillería, junta tórica de la placa posterior)	1.5, 1.5-2, 2.0, 2.0- 2, 2.5	R0479701
5	Sello mecánico, carbono y cerámica (1 conjunto)	Todos	R0479400
6	Cuerpo de la bomba, FHP (cuerpo y junta tórica de la placa posterior)	Todos	R0479800
7	Pie de montaje del motor, FHP	Todos	R0479900
8	Tapa con anillo de bloqueo, FHP (tapa con anillo de bloqueo y junta tórica de la tapa)	Todos	R0480000
9	Canasta de filtro de residuos de la bomba, FHP	Todos	R0480100
10	Tapón de drenaje con junta tórica (conjunto de 2)	Todos	R0446000
11	Pieza del extremo, junta tórica y tuerca de unión (conjunto de 2)	Todos	R0327301
12	Junta tórica de la tapa, FHP	Todos	R0480200
13	Junta tórica de la placa posterior, FHP	Todos	R0480300
14	Tornillería del difusor/impulsor (junta tórica del difusor, tornillos [2], tornillo con junta tórica y junta tórica de la placa posterior)	Todos	R0480400
15	Tornillería de la placa posterior, FHP (tornillería de la placa posterior y junta tórica de la placa posterior)	Todos	R0480500
16	Kit de tornillería del motor	Todos	R0446700
17	Junta tórica de la pieza del extremo (conjunto de 2)	Todos	R0337601
18	Espaciador de la base pequeña	Todos	R0486700
19	Espaciador de la base grande (opcional)	Todos	R0546400

7.2 Vista ampliada del modelo FHP



7.3 Curvas de desempeño



7.4 Especificaciones físicas y operativas

7.4.1 Especificaciones

N.º de modelo	THP	WEF (factor de energía ponderada)	Voltaje	Amperios	Tamaño de tubo	Peso de la caja	Largo general "A"
FHPM.75	0.95	4.1/4.3	208-230/115	4.5-4.4/8.8	1½-2"	40.6	23 3/8"
FHPM1.0	1.14	3.6	208-230/115	5.4-5.2/10.3	1½-2"	41.2	23 3/8"
FHPM1.0-2	1.14	5.6	230	5.3/2.2	1½-2"	46.5	24 1/4"

Tabla 4. Especificaciones de la bomba FHPM

7.4.2 Dimensiones

En la tabla 1, se muestra la altura de la bomba FHP en las cuatro (4) configuraciones de montaje que se enumeran a continuación. En la figura 3 en la sección 3.1.3.1, se muestran planos de estas cuatro (4) configuraciones.

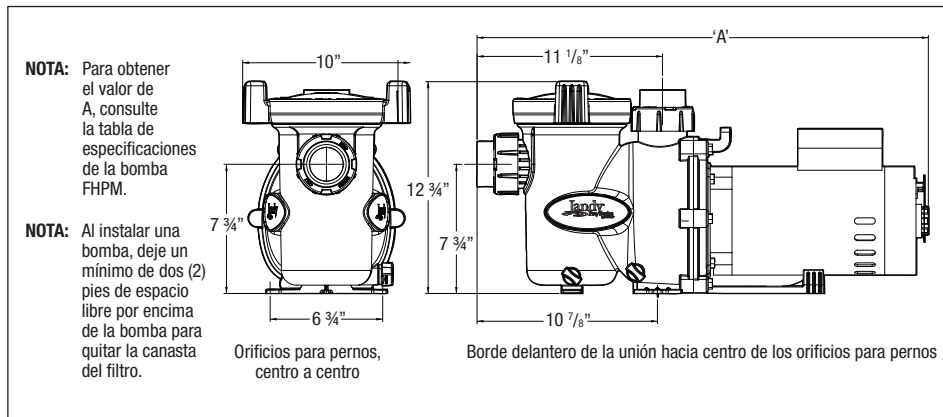


Figura 6. Dimensiones de la bomba FHP (sin base ni espaciadores)

A Fluidra Brand | Jandy.com | Jandy.ca
2882 Whiptail Loop # 100, Carlsbad, CA 92010, USA | 1.800.822.7933
2-3365 Mainway, Burlington, ON L7M 1A6, Canada | 1.800.822.7933

©2024 Zodiac Pool Systems LLC. Todos los derechos reservados.
Todas las demás marcas comerciales son propiedad de sus respectivos dueños.

H0315300_REVU



Certified to
NSF/ANSI Standard 50



Intertek

CUMPLE CON UL STD 1081
CERTIFICADO SEGÚN CSA STD C22.2 NO 108