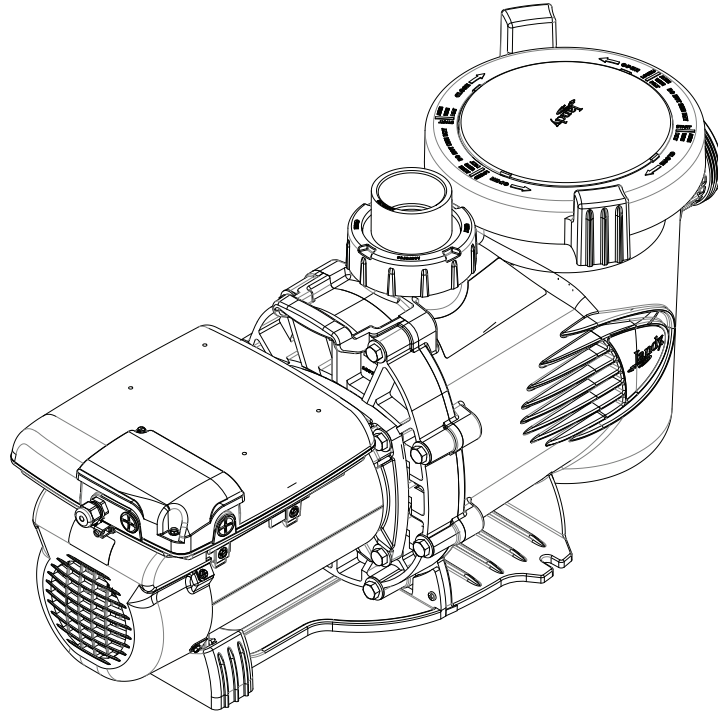


ePump™ Series Pumps



WARNING

FOR YOUR SAFETY - This product must be installed and serviced by a contractor who is licensed and qualified in pool equipment by the jurisdiction in which the product will be installed where such state or local requirements exist. The maintainer must be a professional with sufficient experience in pool equipment installation and maintenance so that all of the instructions in this manual can be followed exactly. Before installing this product, read and follow all warning notices and instructions that accompany this product. Failure to follow warning notices and instructions may result in property damage, personal injury, or death. Improper installation and/or operation will void the warranty. Improper installation and/or operation can create unwanted electrical hazard which can cause serious injury, property damage, or death.



ATTENTION INSTALLER - This manual contains important information about the installation, operation and safe use of this product. This information should be given to the owner/operator of this equipment.

Table of Contents

<p>Section 1. IMPORTANT SAFETY INSTRUCTIONS 3</p> <p style="padding-left: 20px;">1.1 Safety Instructions 3</p> <p style="padding-left: 20px;">1.2 Pool Pump Suction Entrapment Prevention Guidelines 5</p> <p>Section 2. General Description 6</p> <p style="padding-left: 20px;">2.1 Introduction 6</p> <p style="padding-left: 20px;">2.2 Description 6</p> <p>Section 3. Installation Information 7</p> <p style="padding-left: 20px;">3.1 Plumbing 7</p> <p style="padding-left: 20px;">3.2 Electrical Installation 9</p> <p style="padding-left: 20px;">3.3 ePump Dip Switch Settings 11</p> <p style="padding-left: 20px;">3.4 Pressure Testing 11</p> <p style="padding-left: 20px;">3.5 Conducting Pressure Test 13</p> <p style="padding-left: 20px;">3.6 Auxiliary Load Operation 13</p> <p>Section 4. Operation 15</p> <p style="padding-left: 20px;">4.1 Start-up 15</p>	<p>Section 5. Service and Maintenance 15</p> <p style="padding-left: 20px;">5.1 Routine Maintenance 15</p> <p style="padding-left: 20px;">5.2 Winterizing the Pump 16</p> <p>Section 6. Troubleshooting and Repair 17</p> <p style="padding-left: 20px;">6.1 Troubleshooting 17</p> <p style="padding-left: 20px;">6.2 Service Technician Maintenance 19</p> <p>Section 7. Product Specifications and Technical Data 24</p> <p style="padding-left: 20px;">7.1 Replacement Parts List and Exploded View 24</p> <p style="padding-left: 20px;">7.2 Performance Curves 26</p> <p style="padding-left: 20px;">7.3 Physical and Operational Specifications 26</p> <p style="padding-left: 20px;">7.4 Replacement Motor Guide 27</p>
--	--

EQUIPMENT INFORMATION RECORD	
DATE OF INSTALLATION _____	
INSTALLER INFORMATION _____	
INITIAL PRESSURE GAUGE READING (WITH CLEAN FILTER) _____	
PUMP MODEL _____	HORSEPOWER _____
NOTES: _____	

Section 1. IMPORTANT SAFETY INSTRUCTIONS

READ AND FOLLOW ALL INSTRUCTIONS

1.1 Safety Instructions

All electrical work must be performed by a licensed electrician and conform to all national, state, and local codes. When installing and using this electrical equipment, basic safety precautions should always be followed, including the following:

⚠ WARNING

RISK OF SUCTION ENTRAPMENT HAZARD, WHICH, IF NOT AVOIDED, CAN RESULT IN SERIOUS INJURY OR DEATH. Do not block pump suction, as this can cause severe injury or death. Do not use this pump for wading pools, shallow pools, or spas containing bottom drains, unless the pump is connected to at least two (2) functioning suction outlets. Drain covers must be certified to the latest published edition of ANSI/ASME A112.19.8, or its successor standard ANSI/APSP-16.

⚠ WARNING

To reduce the risk of injury, do not permit children to use this product.

⚠ WARNING

To reduce the risk of property damage or injury, do not attempt to change the backwash (multiport, slide, or full flow) valve position with the pump running.

⚠ WARNING

Jandy Pro Series Pumps are powered by a high-voltage electric motor and must be installed by a licensed or certified electrician or a qualified swimming pool service technician.

⚠ WARNING

Due to the potential risk of fire, electric shock, or injuries to persons, Jandy Pro Series Pumps must be installed in accordance with the National Electrical Code® (NEC®), all local electrical and safety codes, and the Occupational Safety and Health Act (OSHA). Copies of the NEC may be ordered from the National Fire Protection Association, 470 Atlantic Ave., Boston, MA 02210, or from your local government inspection agency.

⚠ WARNING

RISK OF ELECTRIC SHOCK, FIRE, PERSONAL INJURY, OR DEATH. Connect only to a branch circuit that is protected by a ground-fault circuit-interrupter (GFCI). Contact a qualified electrician if you cannot verify that the circuit is protected by a GFCI. Make sure such a GFCI should be provided by the installer and should be tested on a routine basis. To test the GFCI, push the test button. The GFCI should interrupt power. Push the reset button. Power should be restored. If the GFCI fails to operate in this manner, the GFCI is defective. If the GFCI interrupts power to the pump without the test button being pushed, a ground current is flowing, indicating the possibility of electrical shock. Do not use the device. Disconnect the device and have the problem corrected by a qualified service representative before using.

⚠ WARNING

Incorrectly installed equipment may fail, causing severe injury or property damage.

⚠ WARNING

- Do not connect system to an unregulated city water system or other external source of pressurized water producing pressures greater than 35 PSI.
- Trapped air in the system can cause the filter lid to be blown off, which can result in death, serious personal injury, or property damage. Be sure all air is out of the system before operating.

⚠ WARNING

To minimize risk of severe injury or death, the filter and/or pump should not be subjected to the piping system pressurization test.

Local codes may require the pool piping system to be subjected to a pressure test. These requirements are generally not intended to apply to the pool equipment, such as filters or pumps.

Jandy Pro Series pool equipment is pressure tested at the factory.

If, however, the WARNING cannot be followed and pressure testing of the piping system must include the filter and/or pump, **BE SURE TO COMPLY WITH THE FOLLOWING SAFETY INSTRUCTIONS:**

- Check all clamps, bolts, lids, lock rings, and system accessories to ensure they are properly installed and secured before testing.
- **RELEASE ALL AIR** in the system before testing.
- Water pressure for test must **NOT EXCEED 35 PSI**.
- Water temperature for test must **NOT EXCEED 100°F (38°C)**.
- Limit test to 24 hours. After test, visually check system to be sure it is ready for operation.

Notice: These parameters apply to Jandy Pro Series equipment only. For non-Jandy Pro Series equipment, consult the equipment manufacturer.

⚠ WARNING

Chemical spills and fumes can weaken pool/spa equipment. Corrosion can cause filters and other equipment to fail, resulting in severe injury or property damage. Do not store pool chemicals near your equipment.

CAUTION

Do not start pump dry! Running the pump dry for any length of time will cause severe damage and will void the warranty.

CAUTION

- This pump is for use with permanently installed pools and may also be used with hot tubs and spas, if so marked. Do not use with storable pools. A permanently installed pool is constructed in or on the ground or in a building, such that it cannot be readily disassembled for storage. A storable pool is constructed so that it may be readily disassembled for storage and reassembled to its original integrity.
- Do not install beneath the skirt of a hot tub. The pump requires adequate ventilation to maintain air temperature at less than the maximum ambient temperature rating listed on the motor rating plate.
- For Canadian installation, this pump carries a Type 3R enclosure rating and therefore is not intended for installation in areas subjected to windblown dust.

SAVE THESE INSTRUCTIONS

1.2 Pool Pump Suction Entrapment Prevention Guidelines



⚠ WARNING

SUCTION HAZARD. Can cause serious injury or death. Do not use this pump for wading pools, shallow pools, or spas containing bottom drains, unless pump is connected to at least two (2) functioning suction outlets.

⚠ WARNING

Pump suction is hazardous and can trap and drown or disembowel bathers. Do not use or operate swimming pools, spas, or hot tubs if a suction outlet cover is missing, broken, or loose. The following guidelines provide information for pump installation that minimizes risk of injury to users of pools, spas, and hot tubs:

Entrapment Protection - The pump suction system must provide protection against the hazards of suction entrapment.

Suction Outlet Covers - All suction outlets must have correctly installed, screw-fastened covers in place. All suction outlet (drain) covers must be maintained. Drain covers must be listed/certified to the latest published edition of ANSI/ASME A112.19.8, or its successor standard ANSI/APSP-16. They must be replaced if cracked, broken, or missing.

Number of Suction Outlets Per Pump - Provide at least two (2) hydraulically-balanced main drains, with covers, as suction outlets for each circulating pump suction line. The centers of the main drains (suction outlets) on any one (1) suction line must be at least three (3) feet apart, center to center. See Figure 1 on page 7.

The system **must** be built to include at least two (2) suction outlets (drains) connected to the pump whenever the pump is running. However, if two (2) main drains run into a single suction line, the single suction line may be equipped with a valve that will shut off both main drains from the pump. The system shall be constructed such that it shall not allow for separate or independent shutoff or isolation of each drain. See Figure 1 on page 7.

More than one (1) pump can be connected to a single suction line as long as the requirements above are met.

Water Velocity - The maximum water velocity through the suction fitting or cover for any suction outlet must be 1.5 feet per second, unless the outlet complies with the latest published edition of ANSI/ASME A112.19.8, the standard for *Suction Fittings For Use in Swimming and Wading Pools, Spas, Hot Tubs, and Whirlpool Bathtub Applications*, or its successor standard ANSI/APSP-16. In any case, do not exceed the suction fitting's maximum designed flow rate.

If 100% of the pump's flow comes from the main drain system, the maximum water velocity in the pump suction hydraulic system must be six (6) feet per second or less, even if one (1) main drain (suction outlet) is completely blocked. The flow through the remaining main drain(s) must comply with the latest published edition of ANSI/ASME A112.19.8, the standard for *Suction Fittings For Use in Swimming and Wading Pools, Spas, Hot Tubs, and Whirlpool Bathtub Applications*, or its successor standard ANSI/APSP-16.

Testing and Certification - Suction outlet covers must have been tested by a nationally recognized testing laboratory and found to comply with the latest published edition of ANSI/ASME A112.19.8, the standard for *Suction Fittings For Use in Swimming and Wading Pools, Spas, Hot Tubs, and Whirlpool Bathtub Applications*, or its successor standard ANSI/APSP-16.

Fittings - Fittings restrict flow; for best efficiency use fewest possible fittings (but at least two (2) suction outlets).

Avoid fittings that could cause an air trap.

Pool cleaner suction fittings must conform to applicable International Association of Plumbing and Mechanical Officials (IAPMO) standards.

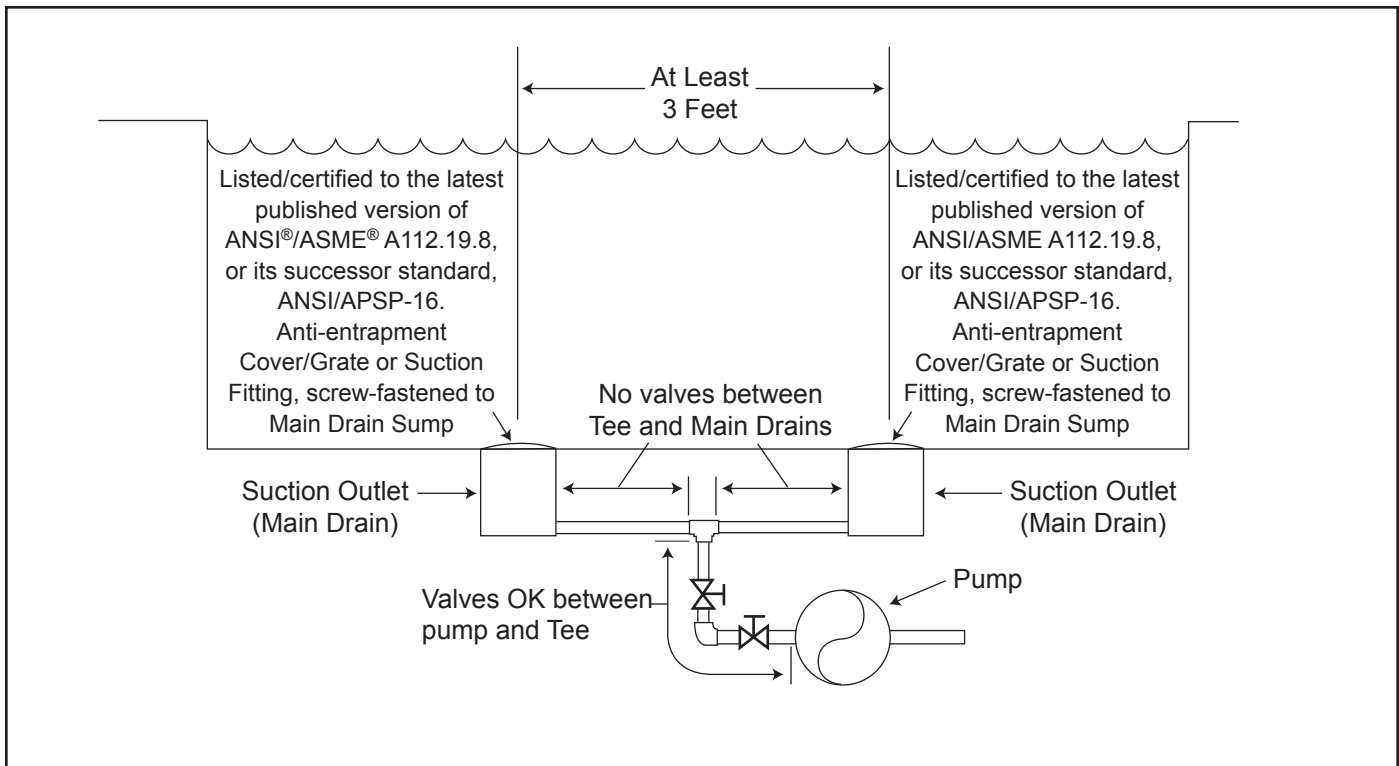


Figure 1. Number of Suction Outlets Per Pump

Section 2. General Description

2.1 Introduction

This manual contains information for the proper installation, operation, and maintenance of Jandy Pro Series ePump Series variable-speed pumps. Procedures in this manual must be followed exactly. To obtain additional copies of this manual, contact Zodiac® Customer Support at 800.822.7933 or visit our website at www.zodiacpoolsystems.com. For address information, see the back cover of this manual.

2.2 Description

The ePump is a variable-speed pump that can be run from 600 RPM to 3450 RPM. When connected to the Jandy Pro Series ePump controller, up to eight (8) speed settings may be programmed and recalled. This allows you to select the most appropriate speed for your application. Even more versatile programming is possible when you use a Jandy Pro Series AquaLink® RS controller.

The Jandy Pro Series ePump is designed to meet the needs of today's more hydraulically demanding pool equipment. The pump housing, backplate, diffuser, impeller, and hair and lint pot (pump debris filter basket) are all made from high quality thermoplastic materials. These materials were chosen for their strength and corrosion resistance.

The pump is driven by an electric motor directly attached to the pump impeller. As the electric motor turns, it causes the impeller to turn, which forces water to flow through the pump. The water flows through the pump inlet and then into the filter basket. The basket assembly pre-strains/traps large particles. The water then enters the center of the pump housing, flows through the impeller into the diffuser, and flows out the pump discharge port.

Section 3. Installation Information

3.1 Plumbing

3.1.1 Preparation Information

1. Upon receipt of the pump, check the carton for damage. Open the carton and check the pump for concealed damage, such as cracks, dents or a bent base. If damage is found, contact the shipper or distributor where the pump was purchased.
2. Inspect the contents of the carton and verify that all parts are included. See *Section 7.1, Replacement Parts List and Exploded View*.

3.1.2 Pump Location

CAUTION

For Canadian installation, this pump carries a Type 3R enclosure rating and therefore is not intended for installation in areas subjected to windblown dust.

1. Zodiac recommends installing the pump within one (1) foot above water level. Refer to Figure 2 for a typical installation. The pump should not be elevated more than a few feet above the water level of the pool. A check valve is recommended on the suction line to the pump.

⚠ WARNING

To Reduce the Risk of Fire, install pool equipment in an area where leaves or other debris will not collect on or around the equipment. Keep surrounding area clear of all debris such as paper, leaves, pine-needles and other combustible materials.

⚠ WARNING

Some Safety Vacuum Release System (SVRS) devices are not compatible with the installation of check valves. If the pool has an SVRS device, be sure to confirm that it will continue to safely operate when any check valves are installed.

- NOTE** To achieve better self-priming, install the pump as close as possible to the water level of the pool.
2. If the pump is located below water level, isolation valves must be installed on both the suction and return lines to prevent back flow of pool water during any routine or required servicing.
 3. The pump and other circulation equipment must be located more than five (5) feet from the water. Choose a location that will minimize turns in the piping.

NOTE In Canada, the pump must be located a minimum of three (3) meters (approximately 10 feet) from the water (CSA C22.1).

4. The pump should be installed on a firm, solid, and level surface to avoid risk of settlement. Do not use sand to level the pump as sand will wash away. Check local building codes for any additional requirements (Ex. Equipment pads in Florida must be concrete and equipment must be secured to the pad.)

NOTE Zodiac Pool Systems, Inc. recommends bolting the pump directly to the foundation.

5. The pump foundation must have adequate drainage to prevent the motor from getting wet. Protect the pump from the rain and sun.
6. Proper ventilation is required for the pump to operate normally. All motors generate heat that must be removed by providing proper ventilation.
7. Provide access for future services by leaving a clear area around the pump. Allow plenty of space above the pump to remove the lid and basket for cleaning.
8. If the equipment is in a potentially dark area, provide adequate lighting.

3.1.3 Pipe Sizing

NOTE All HP ratings given in this section apply to full-rated pumps.

3.1.3.1 Suction Pipe

When the pump is located up to 50 feet from the pool, the recommended minimum pipe size for the suction side of the pump is 2" for .75 to 1.5 HP*. For 2.0 HP* pumps, the recommended pipe size is 2 ½". For 3.0 HP* pumps, the recommended pipe size is 3".

* HP refers to full rated pumps.

3.1.3.2 Discharge Pipe

When the pump is located up to 50 feet from the pool, the recommended minimum pipe size for the discharge side of the pump is 2" for .75 to 1.5 HP*. For 2.0 HP* pumps, the recommended pipe size is 2 ½". For 3.0 HP* pumps, the recommended pipe size is 3".

* HP refers to full rated pumps.

NOTE All pipe sizes are able to withstand the pressures the pump will deliver, but not necessarily the flow. If the pipe is too small for the pump, or is elevated above water, the maximum gallons per minute (GPM) may not be delivered. If this happens, the pump will develop a pocket of air (cavitation) that makes noise. This may shorten the life of the pump.

3.1.3.3 Installation Recommendations

1. If the pump is located below water level, isolation valves must be installed on both sides of the pump to prevent the back flow of pool water during any routine or required servicing.

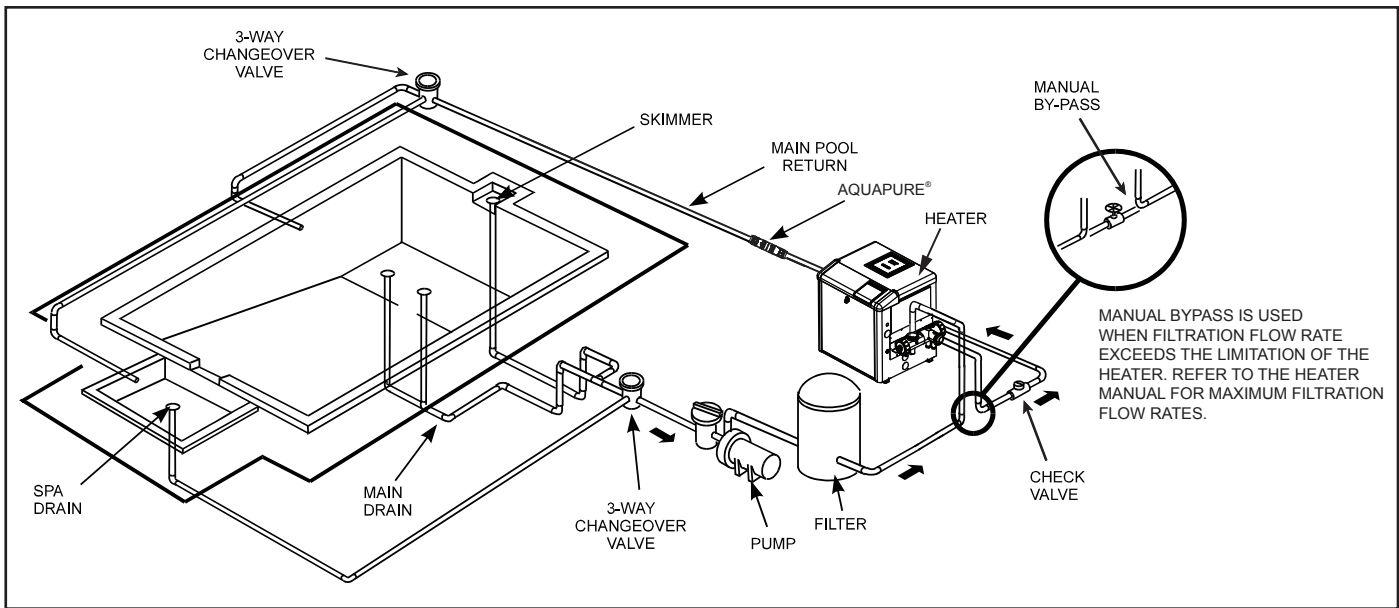


Figure 2. Typical Piping Installation

- To help prevent difficulty in priming, install the suction pipe without high points (above inlet of pump - inverted “U”s, commonly referred to in plumbing as an airlock) that can trap air. For installations of equipment up to 100 feet from the water, refer to Table 1, the pipe sizing chart. For installations of equipment more than 100 feet from the water, the recommended pipe size must be increased to the next size.

Table 1. Pipe Sizing Chart for Schedule 40 PVC

Pipe Size	Maximum Flow Suction (6 feet per second)	Maximum Flow Discharge (8 feet per second)
1½"	37 GPM (140 LPM)	50 GPM (189 LPM)
2"	62 GPM (235 LPM)	85 GPM (322 LPM)
2½"	88 GPM (333 LPM)	120 GPM (454 LPM)
3"	136 GPM (515 LPM)	184 GPM (697 LPM)
4"	234 GPM (886 LPM)	313 GPM (1185 LPM)

- ePump™ Series Pumps come equipped with unions on both the suction and discharge ports. This feature simplifies installation and service and eliminates the possibility of leaks at threaded adapters.
- The Jandy Pro Series ePump must be connected to at least two (2) hydraulically-balanced main drains (suction outlets) for each pool pump suction line. Refer to Figure 2. Each drain must be provided with covers that are listed or certified to the latest published edition of ANSI/ASME A112.19.8, or its successor standard ANSI/APSP-16. The suction outlets of the main drains must be at least three (3) feet apart or at different planes. The suction outlets

can be a drain and skimmer, two (2) drains, two (2) skimmers, or a skimmer with an equalizer line installed. For additional details and guidelines, refer to ANSI/APSP 7, the standard for Suction Entrapment Avoidance in Swimming Pools, Wading Pools, Spas, Hot Tubs, and Catch Basins. Check the local codes for proper installation requirements. Applicable local codes will take precedence over other codes.

NOTE To prevent entrapment, the system must be built so it cannot operate with the pump drawing water from only one (1) main drain. At least two (2) main drains must be connected to the pump when it is in operation. However, if two (2) main drains run into a single suction line, the single suction line may be equipped with a valve that will shut off both main drains from the pump.

- The piping must be well supported and not forced together where it will experience constant stress.
- Always use properly sized valves. Jandy Pro Series Diverter Valves and Jandy Pro Series Ball Valves typically have the best flow capabilities.
- Use the fewest fittings possible. Each additional fitting has the effect of moving the equipment farther away from the water.

NOTE If more than ten suction fittings are needed, the pipe size must be increased.

- Every new installation must be pressure tested according to local codes.

3.2 Electrical Installation

3.2.1 Voltage Checks

The correct voltage, as specified on the pump data plate, is necessary for proper performance and long motor life. Incorrect voltage will decrease the pump’s ability to perform and could cause overheating, reduce the motor life, and result in higher electric bills.

It is the responsibility of the electrical installer to provide data plate operating voltage to the pump by ensuring proper circuit sizes and wire sizes for this specific application.

CAUTION

Failure to provide data plate voltage (within 10%) during operation will cause the motor to overheat and void the warranty.

3.2.2 Bonding

- The motor frame must be bonded to a reliable grounding point using a solid copper conductor, No. 8 AWG or larger. In Canada, No. 6 AWG or larger must be used. If the pump is installed within five (5) feet (1.5 m) of the inside walls of the swimming pool, spa, or hot tub, the motor frame must be bonded to all metal parts of the swimming pool, spa, or hot tub structure and to all electrical equipment, metal conduit, and metal piping within five (5) feet (1.5 m) of the inside walls of the swimming pool, spa, or hot tub.
- Bond the motor using the provided external lug. See Figure 3.

⚠ WARNING

Always disconnect the power source before working on a motor or its connected load.

⚠ WARNING

In order to avoid the risk of property damage, severe personal injury, and/or death, make sure that the control switch, time clock, or control system is installed in an accessible location, so that in the event of an equipment failure or a loose plumbing fitting, the equipment can be easily turned off.

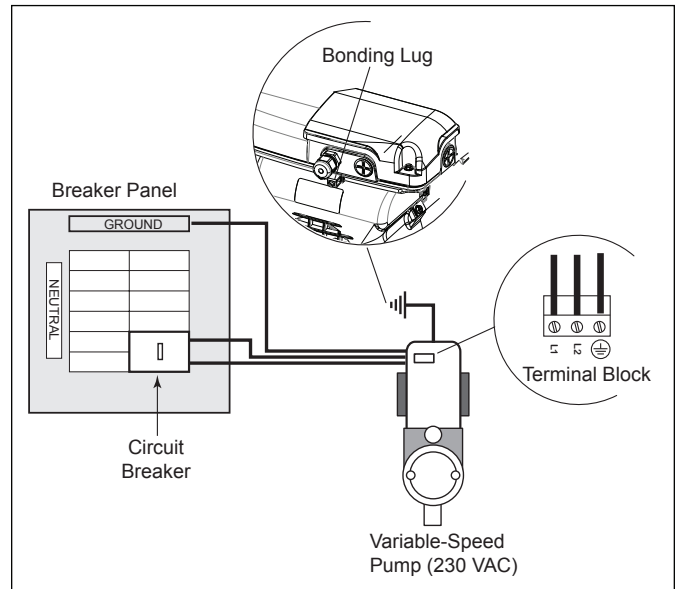


Figure 3. Bonding the Motor, Regal Beloit Motor

CAUTION

The pump must be permanently connected to a dedicated electrical circuit. No other equipment, lights, appliances, or outlets may be connected to the pump circuit, with the exception of devices that may be required to operate simultaneously with the pump, such as a chlorinating device or heater.

3.2.3 Electrical Wiring

- The pump motor must be securely and adequately grounded using the green screw provided. Ground before attempting to connect to an electrical power supply. Do not ground to a gas supply line.
- Wire size must be adequate to minimize voltage drop during the start-up and operation of the pump. See Table 2 for suggested wire sizes.
- Insulate all connections carefully to prevent grounding or short-circuits. Sharp edges on terminals require extra protection. For safety, and to prevent entry of contaminants, reinstall all conduit and terminal box covers. Do not force connections into the conduit box.

Table 2. Recommended Wire Size and Maximum Overcurrent for ePumps

MAXIMUM WIRE SIZE AND MAXIMUM OVERCURRENT PROTECTION FOR ePUMP SERIES PUMPS*		
Distance from Sub-panel	0 - 150 Feet (0-45 meters)	
Model	Inverse - Time Circuit Breaker or Branch Fuse AMPS Class:CC, G, H, J, K, RK, or T 230 VAC	Voltage 208-230 VAC
VSSH270AUT JEP2.0, Regal Beloit Motor	20A Max	12
VSSH220AUT JEP1.5, Regal Beloit Motor	20A Max	12

*Assumes three (3) copper conductors in a buried conduit and 3% maximum voltage loss in branch circuit. All National Electrical Code® (NEC®) and local codes must be followed. Table shows minimum wire size and branch fuse recommendations for typical installation per NEC.

NOTE Since the pump is operated by either an ePump controller (JEP-R), an AquaLink® RS controller, an AquaLink Pool Digital Assistant (PDA) or a Z4 controller, the pump will not be turned on until it is turned on with one of these controllers.

3.2.4 Installing the Controller

The ePump can be operated by one of three (3) controllers: the ePump controller (JEP-R), the AquaLink RS controller (Rev O or later), the AquaLink PDA (Rev 4.0 or later), or the AquaLink Z4 controller.

The Jandy Pro Series motor model pump comes equipped with a factory installed four-wire RS-485 cable. This RS-485 cable comes with an additional shielded wire for grounding. The shielded wire is to be grounded **ONLY** at one end, at the Jandy Pro Series motor model pump. This is pre-installed at the factory. At the other end, the shielded wire is pretrimmed at the factory. If you need to cut the RS-485 cable to any custom length, make sure to peel back and trim the ground shielded wire. The ePump communicates with the controllers via a four-wire RS-485 interface.

To install the ePump controller:

NOTE The ePump controller part no. is JEP-R.

1. Remove power from the ePump by disconnecting the high voltage lines or by opening any breaker to which the ePump power is connected.

⚠ WARNING

ELECTRICAL SHOCK HAZARD

Turn off all switches and the main breaker in the ePump electrical circuit before starting the procedure. Failure to comply may cause a shock hazard, resulting in severe personal injury or death.

2. Remove the cover of the ePump junction box and feed the RS-485 cable into the fitting.
3. Unplug the RS-485 connector from the ePump.
4. Attach the four (4) wires in the RS-485 cable to the RS-485 connector. Match the wire colors with the positions on the connector: 1- red, 2- black, 3- yellow, and 4- green. See Figure 4.
5. Insert the RS-485 connector back into the ePump.
6. Slide dip switches 1 and 2 up, so they are in the ON position, and slide switches 3 and 4 down, so they are in the OFF position. See Figure 4.
7. Connect the other end of the cable to the controller. Match the colors of the wires with the appropriate connector positions, as described in Step 4.
8. Restore power to the ePump and verify the operation of the controller.
9. Refer to the ePump Controller Owner's Manual, H0311200, to operate the pump.

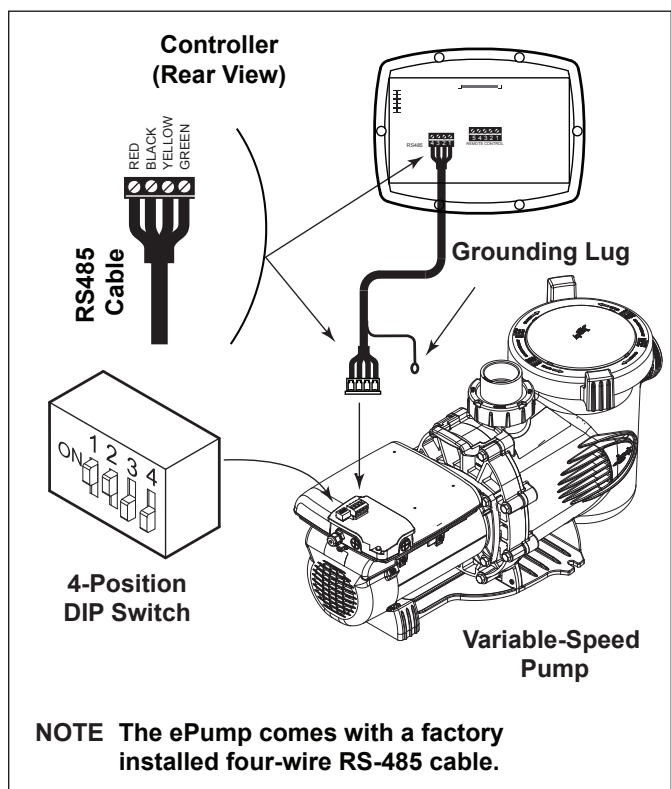


Figure 4. Wiring ePump Controller (JEP-R) to ePump, Regal Beloit Motor

To install an AquaLink® RS controller (Rev O or later), an AquaLink PDA (Rev 4.0 or later), or an AquaLink Z4:

1. Remove power from the ePump by disconnecting the high voltage lines or by opening any breaker to which the ePump power is connected.

⚠ WARNING

ELECTRICAL SHOCK HAZARD

Turn off all switches and the main breaker in the ePump electrical circuit before starting the procedure. Failure to comply may cause a shock hazard, resulting in severe personal injury or death.

2. Remove the cover of the ePump junction box and feed the RS-485 cable into the fitting.
3. Unplug the RS-485 connector from the ePump and attach the four (4) wires in the RS-485 cable to the RS-485 connector. Match the wire colors with the connector positions as follows: 1-red, 2-black, 3-yellow, and 4-green. See Figures 5A and 5B.
5. Insert the RS-485 connector back into the ePump.
6. Slide dip switches 1 and 2 down, so they are in the OFF position. See Figure 5A and 5B.
7. Select the desired address(es) for the ePump(s) by setting dip switches 3 and/or 4, as shown in *Section 3.3, ePump Dip Switch Settings*.

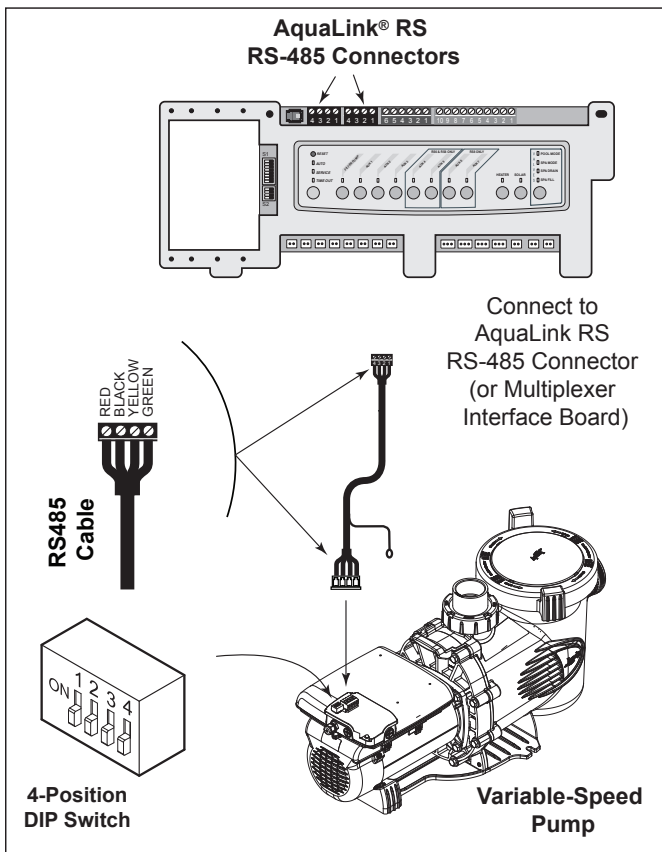


Figure 5A. Wiring AquaLink RS Controller or AquaLink PDA to ePump, Regal Beloit Motor

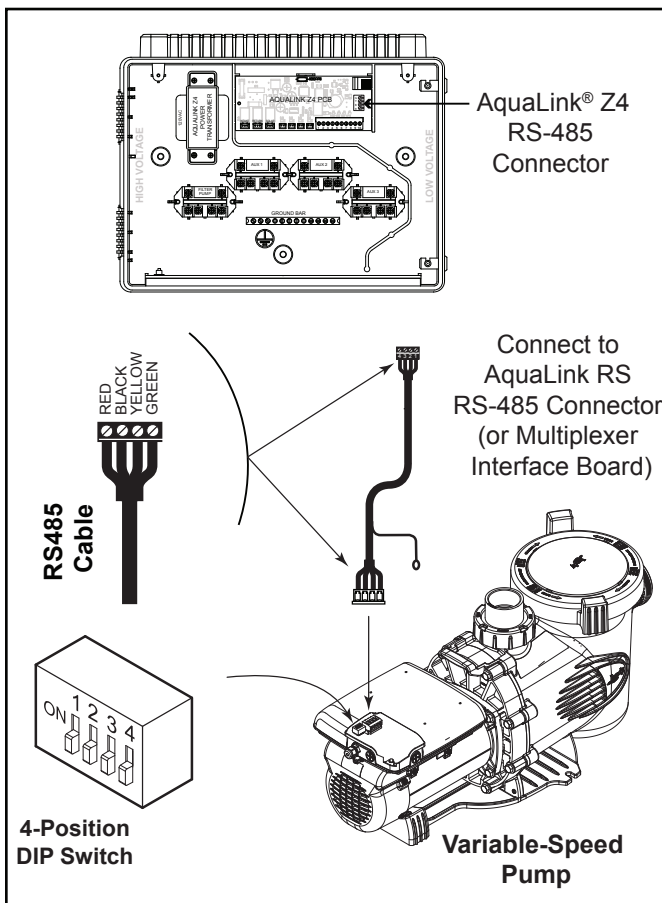


Figure 5B. Wiring AquaLink Z4 to ePump, Regal Beloit Motor to ePump, Regal Beloit Motor

Note: The AquaLink Z4 Controller works with a single variable-speed pump, so the dip switch settings will use the factory default settings of OFF for all four switches. See Figure 5B.

8. Connect the other end of the cable to an RS-485 connector on the AquaLink® RS (or multiplexer interface board), matching wire colors with connector positions, as described in Step 3.
9. Restore power to the ePump and verify the operation of the controller.
10. Refer to the appropriate manual to operate the pump: AquaLink RS Owner’s Manual, 6593, AquaLink PDA Owner’s Manual, H0572300, or AquaLink Z4 Controller Owner’s Manual, H0386600.

3.3 ePump Dip Switch Settings

As shown in Figures 4, 5A and 5B, the 4-position dip switch is located at the rear of the ePump. This dip switch serves two (2) functions: it selects the pump address, and it determines what type of controller will be used with the pump. The tables below show the dip switch settings.

Switch 1	Switch 2	Controller
OFF	OFF	AquaLink RS or AquaLink PDA
ON	ON	ePump Controller (JEP-R)

Switch 3	Switch 4	Pump Address
OFF	OFF	PUMP 1
ON	OFF	PUMP 2
OFF	ON	PUMP 3
ON	ON	PUMP 4

3.4 Pressure Testing

All Jandy Pro Series model ePumps come with an additional disposable o-ring for pressure testing. This is the blue pressure test o-ring. See Figures 6 and 7.

CAUTION

Do not open the pump lid before pressure testing, because the blue pressure test o-ring may fall out. If this happens, you will need to place it back on the lid.

If you have not opened the pump lid, skip to *Section 3.5, Conducting Pressure Test.*

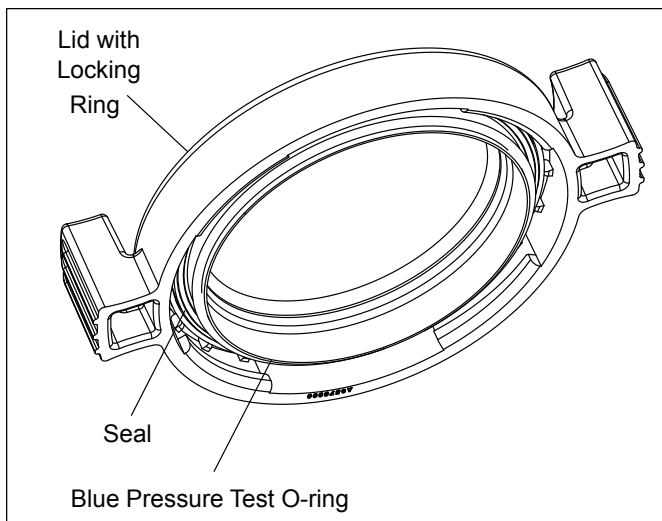


Figure 6. Blue Pressure Test O-ring in Lid Assembly

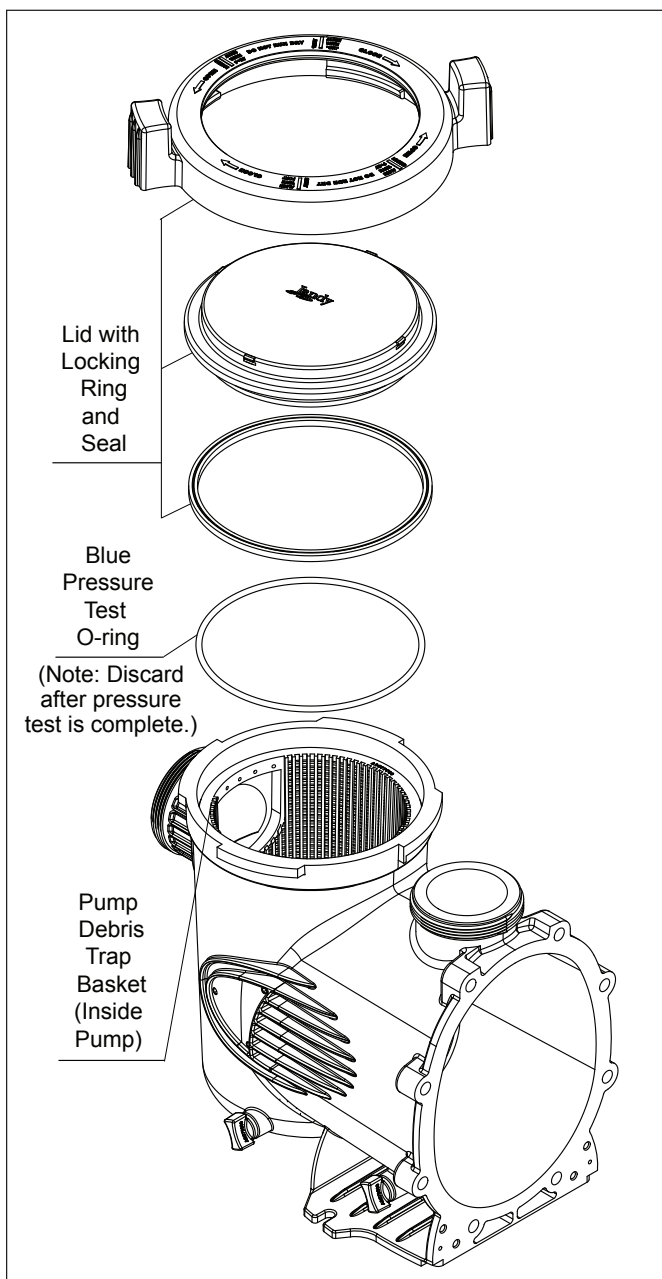


Figure 7. Exploded View of Pump

3.4.1 Replace Blue Pressure Test O-ring if Necessary

If you open the pump lid before conducting the pressure test, the blue o-ring will probably fall out. If this happens, you will need to install it on the lid again before conducting pressure testing.

There is a risk of damage to the blue o-ring during re-installation. If you damage it when trying to re-install it, you will need to order a new blue pressure test o-ring before you begin conducting the pressure test.

These instructions describe the proper procedures for replacing, using, and disposing of the blue o-ring.

These instructions must be followed exactly. Read through the instructions completely before starting the procedure.

3.4.1.1 Remove Pump Lid

1. Make sure that the pump is turned off.
2. Make sure that the switch to the circuit breaker that powers the pump motor is turned off.

⚠ WARNING

ELECTRICAL SHOCK HAZARD

Turn off the pump and the main breaker in the pump electrical circuit before starting the procedure. Failure to comply may cause a shock hazard, resulting in severe personal injury or death.

⚠ WARNING

ELECTRICAL SHOCK HAZARD

Due to the potential risk of fire, electric shock, or injuries to persons, Jandy Pro Series Pumps must be installed in accordance with the National Electrical Code® (NEC®), all local electrical and safety codes, and the occupational Safety and Health Act (OSHA). Copies of the NEC may be ordered from the National Protection Association, 470 Atlantic Ave., Boston, MA 02210, or from your local government inspection agency.

In Canada, Zodiac Pumps must be installed in accordance with the Canadian Electrical Code (CEC).

3. Make sure all necessary isolation valves are closed to prevent pool water from reaching the pump.
4. Following the markings on the locking ring, turn the ring counter-clockwise until the 'START' markings align with the ports.
5. Carefully remove the lid with locking ring.

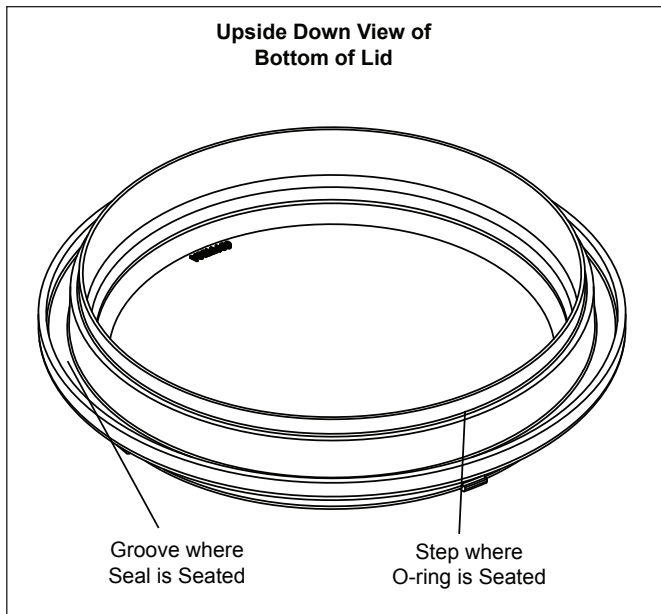


Figure 8. Placement of Blue Pressure Test O-ring

3.4.1.2 Replace Blue O-ring

1. Turn the lid with locking ring upside down and place it on a stable surface.
2. Place the blue o-ring on the step located $\frac{1}{4}$ " from the bottom of the lid. See Figure 8.
3. Make sure that the o-ring is properly seated. It helps to “place” the o-ring on the step rather than to “roll” it on. That prevents it from rolling off.

NOTE The blue o-ring sits approximately $\frac{1}{4}$ " away from the seal. See Figure 8.

4. Carefully install the lid, making sure that the blue pressure test o-ring sits in the housing without “binding” or “rolling” off.
5. Following the markings on the locking ring, align ‘START’ markings with the ports and turn clockwise until ‘LOCKED’ markings align with the ports. **Do not tighten past the ‘LOCKED’ marking.**

3.5 Conducting Pressure Test

⚠ WARNING

When pressure testing a system with water, air is often trapped in the system during the filling process. This air will compress when the system is pressurized. Should the system fail, this trapped air can propel debris at a high speed and cause injury. Every effort to remove trapped air must be taken, including opening the bleed valve on the filter and loosening the pump basket lid while filling the pump.

⚠ WARNING

Trapped air in the system can cause the filter lid to be blown off, which can result in death, serious injury, or property damage. Be sure all air is properly purged out of the system before operating. **DO NOT USE COMPRESSED AIR TO PRESSURE TEST OR CHECK FOR LEAKS.**

⚠ WARNING

Do not pressure test above 35 PSI. Pressure testing must be done by a trained pool professional. Circulation equipment that is not tested properly might fail, which could result in severe injury or property damage.

⚠ WARNING

When pressure testing the system with water, it is very important to make sure that the pump basket lid is completely secure.

1. Fill the system with water, using care to eliminate trapped air.
2. Pressurize the system with water to no more than **35 PSI**.
3. Close the valve to trap pressurized water in the system.
4. Observe the system for leaks and/or pressure decay.
5. If there are lid leaks, repeat Steps 1-3. For technical support, call 800.822.7933.
6. After successfully completing the test, discard the blue pressure test o-ring.

3.6 Auxiliary Load Operation

Certain pump models are equipped with a terminal bar that provides user access to a built-in Auxiliary Load relay contact. This normally-open, dry contact is activated under certain operating conditions and is primarily intended to be used to control external devices that require system water flow for proper functioning, such as heaters, booster pumps, salt water chlorinators, etc.

See Figures 4, 5A and 5B for compartment’s location details. An access cover with Phillips-head screw must be removed before proceeding.

Auxiliary Load Connection Requirements

⚠ WARNING

ELECTRICAL SHOCK HAZARD

Due to the potential risk of fire, electric shock, or injuries to persons, Zodiac® Pumps and any auxiliary loads must be installed in accordance with the National Electrical Code® (NEC®), all local electrical and safety codes, and the occupational Safety and Health Act (OSHA). Copies of the NEC may be ordered from the National Protection Association, 470 Atlantic Ave., Boston, MA 02210, or from your local government inspection agency.

In Canada, Zodiac Pumps must be installed in accordance with the Canadian Electrical Code (CEC).

- The Auxiliary Load relay contacts are rated at 230V/11A RMS. Please ensure the requirements of the equipment to be connected to the Auxiliary Load **do not exceed this rating**.

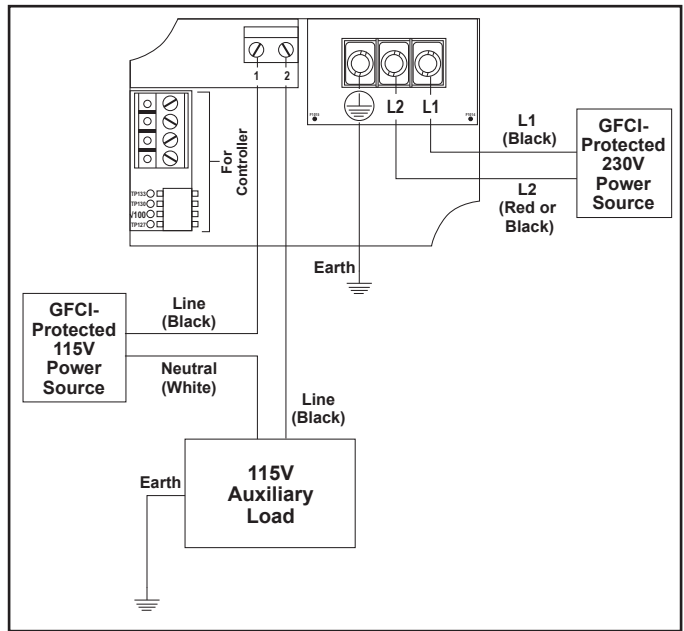


Figure 10. 115V Auxiliary Load, Separate Power Sources Wiring Diagram

Auxiliary Load Operation Characteristics

Auxiliary Load relay contact activation is speed-dependent, and behaves as follows:

Contact Closure

From a stopped condition, there is a three-minute delay before the Auxiliary Load contact is closed when the motor speed reaches and maintains a speed of at least 1725 RPM.

From a running condition at below 1725 RPM, there is a five-second delay before the Auxiliary Load contact is closed when the motor speed reaches and maintains a speed of at least 1725 RPM.

Contact Opening

If the pump speed is below 1725 RPM, the Auxiliary Load contact is opened. Contact openings are always immediate.

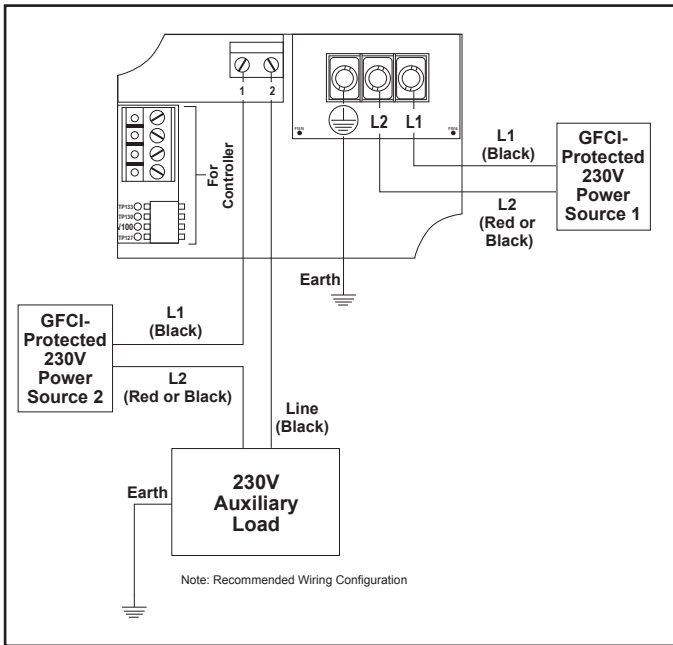


Figure 9. 230V Auxiliary Load, Separate Power Source Wiring Diagram

Section 4. Operation

4.1 Start-up

CAUTION

Never run the pump without water. Running the pump “dry” for any length of time can cause severe damage to both the pump and motor and will void the warranty.

If this is a new pool installation, make sure all piping is clear of construction debris and has been properly pressure tested. The filter should be checked for proper installation, verifying that all connections and clamps are secure according to the manufacturer’s recommendations.

⚠ WARNING

To avoid risk of property damage, severe personal injury or death, verify that all power is turned off before starting this procedure.

1. Release all pressure from the system and open the filter pressure release valve.
2. Depending on the location of the pump, do one of the following:
 - If the pump is located below the water level of the pool, open the filter pressure release valve to prime the pump with water.
 - If the pump is located above the water level of the pool, remove the lid and fill the basket with water before starting the pump.
3. Prior to replacing the lid, check for debris around the lid o-ring seat. Debris around the lid o-ring seat will cause air to leak into the system and will make it difficult to prime the pump.
4. **Hand-tighten** the lid to make an air tight seal. Do not use any tools to tighten the lid: **hand-tighten only**. Make sure all valves are open and the unions are tight.
5. Restore power to the pump. Then turn on the pump by following the instructions in the appropriate manual: ePump Controller Owner’s manual, H0311200, AquaLink® RS Owner’s Manual, 6593, AquaLink PDA Owner’s Manual, H0572300, or AquaLink Z4 Controller Owner’s Manual, H0386600.
6. Once all the air has left the filter, close the pressure release valve.
7. The pump should prime. The time it takes to prime will depend on the elevation and length of pipe used on the suction supply pipe. See *Section 3.1.3.3, Installation Recommendations*, for proper elevation and pipe size.

8. If the pump does not prime and all the instructions to this point have been followed, check for a suction leak. If there is no leak, repeat Steps 2 through 7.
9. For technical assistance, call Zodiac® Technical Support at 800.822.7933.

Section 5. Service and Maintenance

5.1 Routine Maintenance

Inspect the pump debris tray basket for debris by looking through the clear pump lid. Remove any debris, because as debris accumulates, it will begin to block the flow of water through the pump. Keep the basket clean to improve the performance of the pump.

1. Turn off the power to the pump. If the pump is located below the water level, close the isolation valves on the suction and discharge sides of the pump to prevent backflow of water.
2. Turn the lid's locking ring counter-clockwise until 'START' aligns with the ports. Carefully remove the lid. (You may use a tool for leverage.)

CAUTION

A misaligned basket will cause the lid to be improperly seated, allowing an air leak, which could result in pump damage.

3. Lift the basket out of the pump.
4. Dispose of the debris and thoroughly clean the basket, making sure all the holes are open. Using a garden hose, spray the basket from the outside to help clear the holes. Remove any remaining debris by hand.
5. Replace the basket in the pump by aligning the opening with the suction pipe. If aligned properly, the basket will drop easily into place. **Do not force it into place.**
6. Remove the lid seal and remove debris around the lid seal seat, as this can allow air to leak into the system. Clean the lid seal and place it on the lid.
7. Replace the lid with locking ring. **Hand-tighten** the lid to make an air-tight seal. Do not use any tools to tighten the lid: **hand-tighten only**.
8. Verify that all valves have been returned to the proper position for normal operation.
9. Open the pressure release valve on the filter, and make sure it is clean and ready for operation.
10. Turn on the power to the pump. Once all the air has been evacuated from the filter, close the pressure release valve.

5.2 Winterizing the Pump

CAUTION

The pump **must** be protected when freezing temperatures are expected. Allowing the pump to freeze will cause severe damage and void the warranty.

CAUTION

Do not use antifreeze solutions in the pool, spa, or hot tub systems! Antifreeze is highly toxic and may damage the circulation system. The only exception to this is Propylene Glycol. For more information, see your local pool/spa supply store or contact a qualified swimming pool service company.

1. Drain **all** water from the pump, system equipment, and piping.
2. Remove the two (2) drain plugs. Store the drain plugs in a safe location and reinstall them when the cold weather season is over. **Do not lose the o-rings.**
3. Keep the motor covered and dry. Do not cover the pump with plastic, because this will create condensation that will damage the pump.

NOTE Zodiac Pool Systems, Inc. recommends having a qualified service technician or electrician properly disconnect the electrical wiring at the switch or junction box. Once the power is removed, loosen the two (2) unions and store the pump indoors. For safety, and to prevent entry of contaminants, reinstall all conduit and terminal box covers.

4. When the system is reopened for operation, have a qualified technician or electrician make sure all piping, valves, wiring and equipment are in accordance with the manufacturer's recommendations. Pay close attention to the filter and electrical connections.
5. The pump must be primed prior to starting. Refer to *Section 4.1, Start-up*.

Section 6. Troubleshooting and Repair

To order or purchase parts for Jandy Pro Series pumps, contact your nearest Zodiac® dealer. If the Zodiac dealer cannot supply you with what you need, contact Zodiac technical support at 1.800.822.7933, or send an e-mail message to productsupport@zodiac.com.

6.1 Troubleshooting

Symptom	Possible Cause/Solution
The cleaning/circulating system is not operating correctly.	<p>Verify that skimmer baskets, pump basket and other screens are clean. Clean as necessary.</p> <p>Check filter and clean as necessary.</p> <p>Check valve positions. Adjust as necessary.</p> <p>NOTE Multiple pieces of equipment operating at one time (for example, waterfalls, spa jets, and surface returns) will affect the proper operation of the cleaning system.</p> <p>Check the cleaning system manual to ensure that the system is adjusted according to the manufacturer's recommendations.</p>
Bubbles are present in the pump basket.	<p>Air is in the system. Check the pool or spa water level to ensure that it is at the proper level and air is not being drawn into the suction piping. If the water is at the normal level, turn off the pump. Turn the lid's locking ring counter-clockwise until 'START' aligns with the ports. Remove the lid and check for debris around the lid seal seat OR improper installation of the lid seal, as either condition will allow air to leak into the system. Clean the lid seal and replace it on the lid. Replace the lid on the pump housing. Align 'START' with the ports and turn the locking ring clockwise until 'LOCKED' aligns with the ports. Hand-tighten the lid to make an air-tight seal. Do not use any tools to tighten the lid. Turn the pump back on.</p>
Air leaks are still present.	<p>Check the suction side piping union. While the pump is running, try to tighten the union. If this does not stop the air leak, turn off the pump. Loosen both unions and slide the pump out of the way. Remove, clean, and inspect the union o-rings for excessive wear. Replace the o-ring if it is cracked, brittle, or badly flattened.</p> <p>Reposition the pump next to the piping and secure the union nuts to the pump.</p>
There is no air in the system, but the pressure is still low.	<p>It is possible that debris is caught in the pump impeller. The pump impeller moves the water, and the vanes in the impeller can become blocked with debris. See <i>Section 6.2, Service Technician Maintenance, 6.2.1, Blocked Impeller</i>, in this manual for more information.</p>
There is no debris blocking the impeller and the pressure is still low.	<p>The pump impeller and diffuser are showing signs of normal wear. Have a qualified service technician check the impeller and diffuser and replace as necessary.</p> <p>If the pump is part of a relatively new installation, it could be an electrical problem. Contact a qualified service technician. Have the technician check for loose electrical connections and check the voltage at the pump motor while it is in operation. The voltage must be within 10% of the motor's data plate rating. If the voltage is not within 10%, contact a qualified electrician and/or the local power service provider.</p> <p>Pump seal is leaking air. Have a qualified service technician replace the seal.</p>
The pump is leaking water between the motor and pump body.	<p>This is caused by a damaged or failed mechanical seal. Replace the seal. See <i>Section 6.2, Service Technician Maintenance, 6.2.3, Mechanical Seal Replacement</i>, in this manual.</p>
The pump gets hot and shuts off periodically.	<p>Make sure that there is adequate room around the motor to circulate air and keep the motor cool. Have a qualified electrician check for loose connections and check the voltage at the pump motor while it is in operation. The voltage must be within 10% of the motor's data plate rating. If the voltage is not within 10%, contact a qualified electrician and/or the local power service provider.</p>

Symptom	Possible Cause/Solution
Pump will not start.	<p>No power to pump.</p> <p>Make sure pump is properly connected to high voltage. See <i>Section 3.2, Electrical Installation</i>, in this manual.</p>
	<p>Improper low-voltage wiring.</p> <p>Check low-voltage wiring between pump and controller. Correct if necessary. See <i>Section 3.2, Electrical Installation</i>, in this manual.</p>
	<p>Improper pump address setting.</p> <p>Make sure that ePump dip switches 3 and 4 are set properly for the installation. Both should be OFF for use with ePump controller or set to the proper address when connected to an AquaLink® RS controller, an AquaLink PDA, or an AquaLink Z4. See <i>Section 3.3, ePump Dip Switch Settings</i>, in this manual.</p>
	<p>Fault condition exists.</p> <p>View fault message on controller and correct fault before proceeding. If unsure how to correct fault, contact technical support at 800.822.7933.</p>
	ePump controller LCD is not displaying information or ePump LEDs are not illuminated (Jandy Pro Series Motor model only).
<p>Improper low-voltage wiring.</p> <p>Check low-voltage wiring between pump and controller. Correct if necessary. See <i>Section 3.2, Electrical Installation</i>, in this manual.</p>	
Controller displays "Pump not connected".	
	<p>Improper pump address set.</p> <p>Ensure ePump dip switches 3 and 4 are set properly for the installation. Both should be OFF for use with ePump controller or set to the proper address when connected to an AquaLink RS controller, an AquaLink PDA, or an AquaLink Z4. See <i>Section 3.3, ePump Dip Switch Settings</i>, in this manual.</p>
Fault message appears on controller display.	<p>Fault condition exists.</p> <p>View fault message on controller and correct fault before proceeding. If unsure how to correct fault, contact technical support at 800.822.7933.</p>

6.2 Service Technician Maintenance

⚠ WARNING

This pump must be serviced by a professional service technician qualified in pool/spa installation. The following procedures must be followed exactly. Improper installation and/or operation can create dangerous electrical hazards, which can cause high voltages to run through the electrical system. This can cause property damage, serious personal injury, and/or death. Improper installation and/or operation will void the warranty.

6.2.1 Blocked Impeller

⚠ WARNING

Before servicing the pump, switch off the circuit breakers at the power source. Severe personal injury or death may occur if the pump starts while your hand is inside the pump.

1. Turn off the pump. Switch off the circuit breaker to the pump motor.
2. Remove the lid and basket.
3. Look inside the pump for debris. Remove any debris found inside.
4. Replace the basket and lid.
5. Switch on the circuit breaker to the pump motor.
6. Turn on the pump, and see if the problem is solved.
7. If the impeller is still blocked with debris and it is not possible to remove the debris using Steps 2 through 4, the pump will need to be disassembled in order to access the inlet and outlet of the impeller.

6.2.2 Impeller Removal and Replacement

⚠ WARNING

Before servicing the pump, switch off the circuit breakers at the power source. Severe personal injury or death may occur if the pump starts while your hand is inside the pump.

1. Turn off the pump. Switch off the circuit breaker to the pump motor. If you are not replacing the motor, do not disconnect the electrical wiring.

NOTE If you are replacing the motor, Zodiac Pool Systems, Inc. strongly recommends that a qualified service technician or electrician properly disconnect the electrical wiring at the pump motor.

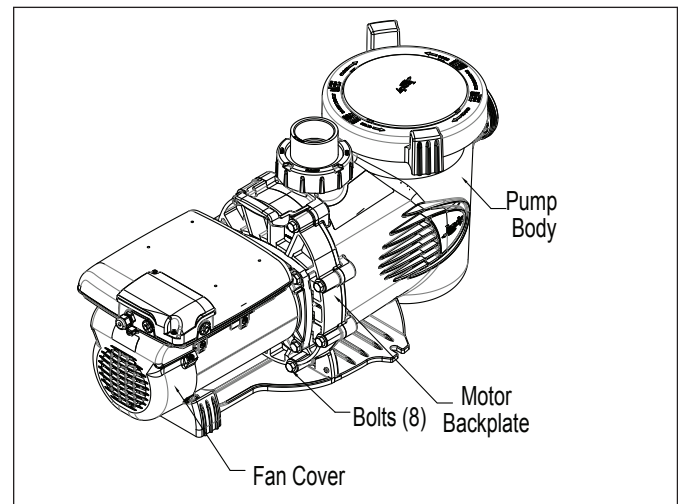


Figure 11. Remove the Pump Housing, Regal Beloit Motor

2. Turn off any valves to prevent pool water from reaching the pump. Drain the water from the pump by loosening the unions or removing the drain plugs.
 3. Using a 9/16" wrench, loosen the bolts connecting the pump body to the motor backplate. See Figure 11.
 4. Pull the motor and backplate out of the pump body. Remove the pump body o-ring. The impeller is connected to the motor shaft.
 5. Using a No. 1 Phillips screwdriver, remove the two (2) screws holding the diffuser. (The diffuser is the cover over the impeller.) Then remove the diffuser. See Figure 12.
 6. Access the inlet and outlet of the impeller and remove any debris.
 7. Remove the fan cover on the back of the motor by removing the screws. (See Figure 13.) The motor shaft and fan will be exposed.
 8. Hold the exposed motor shaft with a 1/2" wide flat blade screw driver while removing the impeller center screw. Use a No. 3 Phillips screwdriver and turn the left-hand threaded screw clockwise to loosen it. See Figure 13.
- NOTE** Do not hold the fan to remove the impeller screw.
9. Hold the motor shaft with a 1/2" wide flat blade screw driver while unscrewing the impeller from the motor shaft with your hand. Turn the impeller counter-clockwise to unscrew it.
 10. Inspect the impeller and diffuser for signs of rubbing and/or damage. Refer to Figure 14.

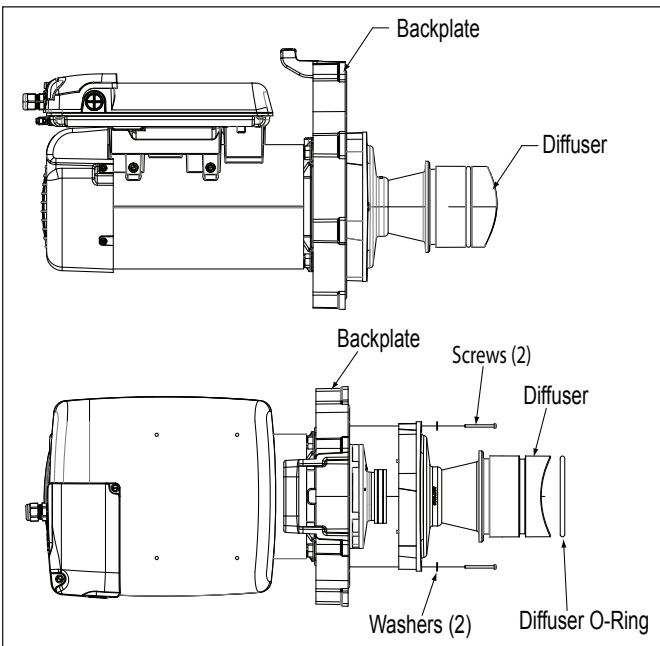


Figure 12. Remove the Diffuser, Regal Beloit Motor

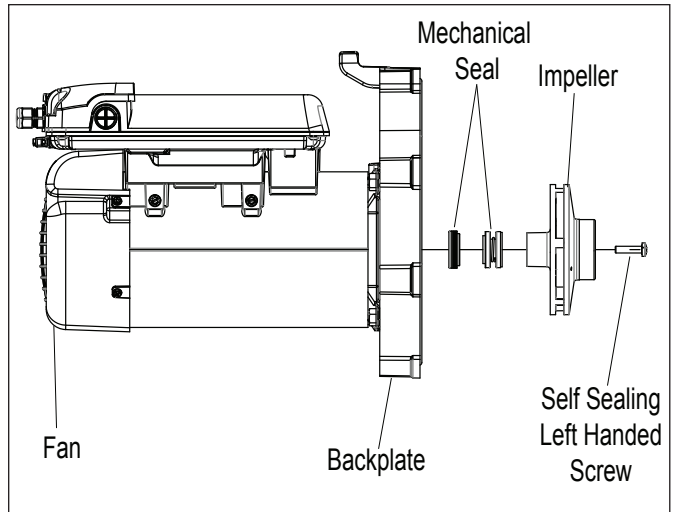


Figure 13. Remove the Impeller, Regal Beloit Motor

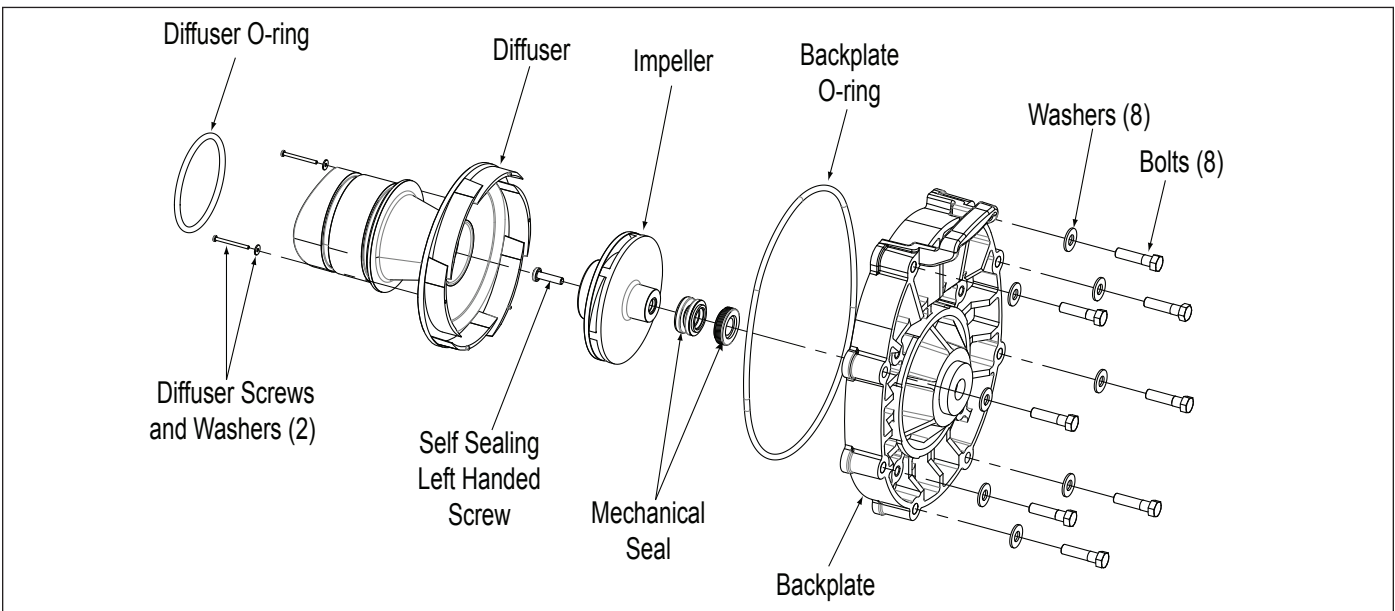


Figure 14. Diffuser and Impeller Exploded View

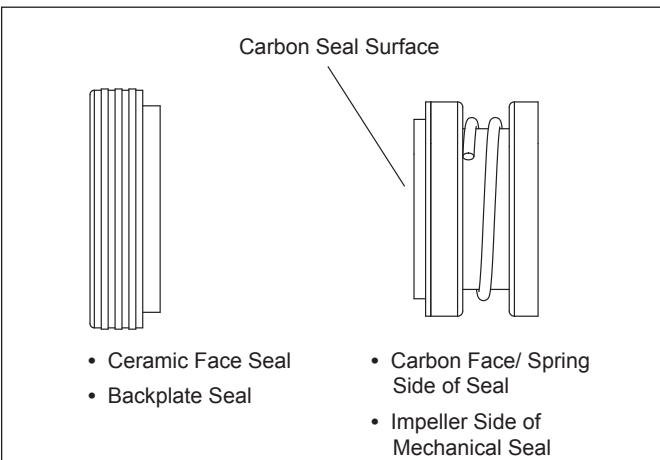


Figure 15. Mechanical Seal

6.2.2.1 Impeller Reassembly

1. Press the new carbon face seal half (see Figure 15) on the motor shaft using a twisting motion. Make sure the carbon surface is facing toward the ceramic ring in the backplate.

CAUTION

Very Important! To prevent damage to the seal, grasp the lower portion of the seal (opposite the carbon face) when installing it.

NOTE To assist assembly, use **only** water or soapy water as a lubricant. Any other lubricant will destroy the seal after a short period of time.

NOTE Be sure to keep the seal and mating parts clean.

2. While holding the motor shaft with a ½" wide flat blade screw driver, thread the impeller onto the motor shaft. Hand-tighten the impeller until it is secure. Install the impeller center screw into the center of the impeller. Turn the left-hand threaded screw counter-clockwise and tighten it, using a No. 3 Phillips screwdriver. **Do not overtighten.**
3. Replace the fan cover by replacing the screws.
4. Replace the motor shaft cover by inserting the cover tabs into the slots and rotating the cover 90° clockwise.
5. Replace the diffuser over the impeller, using care to insert alignment pins into the correct holes. The molded-in arrow must point toward the handle of the backplate.
6. Replace the two (2) small Phillips-head screws. Tighten the screws to draw the diffuser against the motor backplate.
7. To help prevent an airleak into the system, make sure the diffuser o-ring, o-ring groove, and o-ring seal area are clean and free of debris. If you removed the diffuser o-ring, make sure you install it into the groove you removed it from. (See Figure 16.) If grease is used to retain the o-ring, it **must** be silicone based. **Do not use petroleum-based grease.** It will destroy the o-ring.
8. Slide the diffuser into the mating hole in the pump body. While supporting the motor, start two (2) screws on opposite sides. (This will hold the motor in position while you start the other six (6) screws.)
9. Tighten the screws lightly in a crossing "X" pattern using a 9/16" wrench. Start with the inner (middle) four (4), then the outer (top and bottom) four (4) to draw the backplate to the body in an even manner. Once all the screws are snug, torque in the same order to 18 foot-pounds.
10. If the pump is located above the water level of the pool, remove the lid and fill the basket with water before starting the pump.
11. To help prevent an air leak into the system, remove any debris around the lid seal seat.
12. **Hand-tighten** the lid to make an air tight seal. **Do not use any tools to tighten the lid.**
13. Open the pressure release valve on the filter and make sure it is clean and ready for operation.
14. Switch on the circuit breaker to the pump motor.
15. Turn on the pump and check the system for normal operation.
16. Once all the air has left the filter, close the pressure release valve.

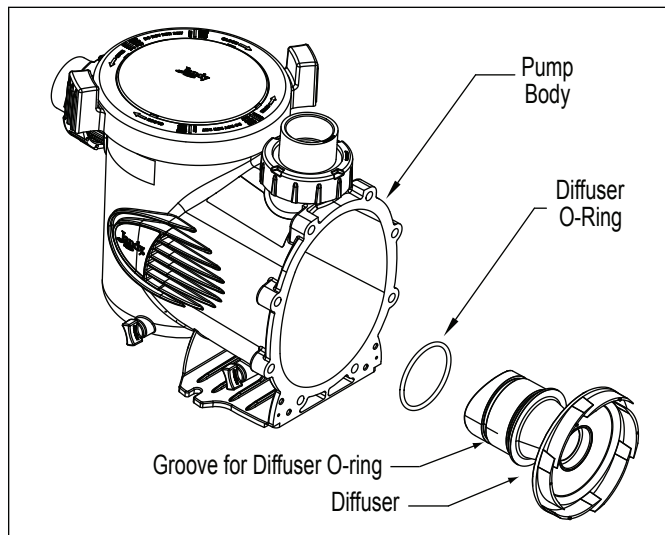


Figure 16. Pump Body and Diffuser Exploded View

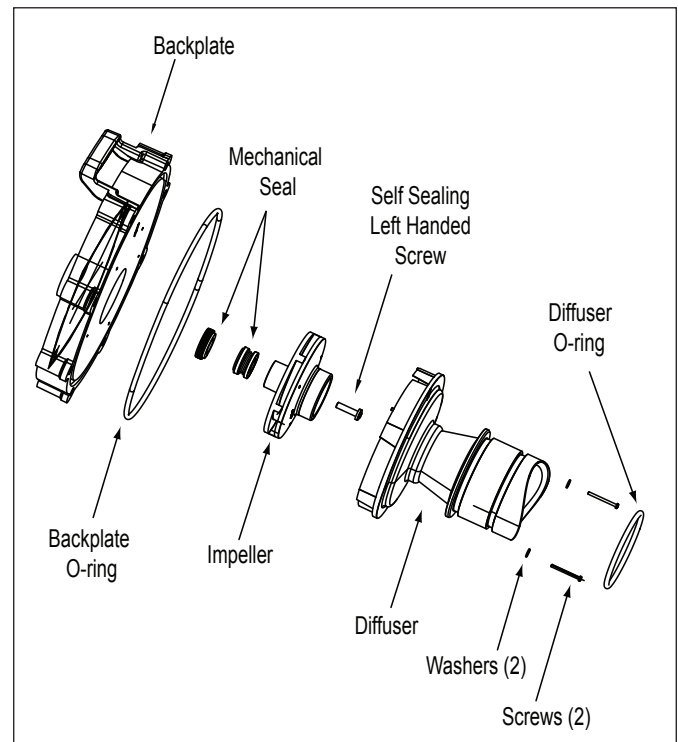


Figure 17. Backplate, Impeller, Diffuser, Mechanical Seal Exploded View

6.2.3 Mechanical Seal Replacement

NOTE This is a two-part replacement process. *The mechanical seal must be replaced as a set.*

NOTE Refer to Figure 17 for an illustration of the location of the mechanical seal and impeller.

CAUTION

Do not damage the ceramic or carbon surfaces of the seals. If the surfaces are damaged, leaks will occur.

- To access the mechanical seal, follow Steps 1 through 9 of *Section 6.2.2, Impeller Removal and Replacement*.
- Remove the carbon face seal half from the motor shaft (See Figure 15). This is a spring-loaded seal. Grasp the portion of the seal closest to the impeller body and pull the seal off, using a twisting motion.
- Remove the motor from the backplate, following the steps in *Section 6.2.5, Motor Replacement*.
- Place the backplate o-ring side down and force the ceramic seal out using a screwdriver or drift.
- Turn the backplate o-ring side up and insert the new ceramic seal side into the backplate. Use great care to press the seal in squarely with your fingers. The ceramic is easily damaged and must be pressed in using only your fingers or soft tools. Do not use any lubricant other than water or soapy water.
- Install the backplate by following the relevant steps in *Section 6.2.2.1, Impeller Reassembly*.
- Install the motor by following the steps in *Section 6.2.4, Motor Replacement*.

6.2.4 Motor Replacement

⚠ WARNING

To ensure continued safety and reliable operation, Zodiac Pool Systems, Inc. requires that you replace the motor with a motor that has the identical HP rating and service factor (Zodiac Pool Systems, Inc. approved unit only).

- Have a qualified service technician or electrician properly disconnect the electrical wiring at the pump motor.

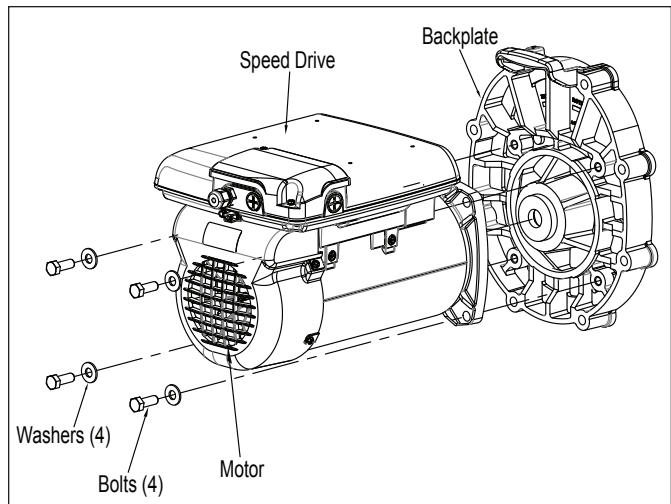


Figure 18. Backplate Assembly, Regal Beloit Motor

⚠ WARNING

ELECTRICAL SHOCK HAZARD

Turn off all switches and the main breaker in the ePump electrical circuit before starting the procedure. Wait five (5) minutes after power is disconnected before opening motor. On the Jandy Pro Series Motor Model Only, do not proceed until the LED on top of the Drive Electronics Unit is completely off. Failure to comply may cause a shock hazard, resulting in severe personal injury or death.

NOTE Zodiac Pool Systems, Inc. recommends that the mechanical seals be replaced at the same time the motor is replaced. See *Section 6.2.3, Mechanical Seal Replacement*, for details.

- To detach the pump housing from the motor, follow Steps 1 through 10 in *Section 6.2.2, Impeller Removal and Replacement*.
- Note the alignment of the backplate to the motor, as shown in Figure 18. Place the backplate motor assembly o-ring side down, unscrew the four 9/16" screws, and remove the motor.
- If installing a new motor, remove the protective plastic cap from the motor shaft. Place the motor on the backplate so that the opening in the motor faces the bottom of the backplate. The electronics controller on the motor should be at the 12 o'clock position.
- Replace the four (4) bolts and washers holding the backplate to the motor.
- To reassemble the backplate assembly to the housing, follow Steps 2 through 9 of *Section 6.2.2.1, Impeller Reassembly*.

7. If the pump is located above the water level of the pool, remove the lid and fill the basket with water before starting the pump.
8. To help prevent an air leak into the system, remove any debris around the lid seal seat.
9. ***Hand-tighten*** the lid to make an air tight seal. ***Do not use any tools to tighten the lid.***
10. Open the pressure release valve on the filter and make sure it is clean and ready for operation.
11. Have a qualified service technician or electrician properly connect the electrical wiring at the pump motor.
12. Turn on the electrical power to the pump motor using your controller and check the system for normal operation.

NOTE For instructions on operating the controller, refer to the appropriate manual for your controller: the ePump Controller Owner's Manual, H0311200, the AquaLink® RS Owner's Manual, 6593, the AquaLink PDA Owner's Manual, H0572300, or the AquaLink Z4 Controller Owner's Manual, H0386600.

13. Once all the air has left the filter, close the pressure relief valve.

Section 7. Product Specifications and Technical Data

7.1 Replacement Parts List and Exploded View

To order or purchase parts for Jandy Pro Series pumps, contact your nearest Zodiac® dealer. You can also contact the Zodiac Technical Support at 800.822.7933. Refer to Figure 16 for the Jandy Pro Series ePump model.

Key No.	Description	Model No.	Part No.
1	Motor, Variable Speed, Regal Beloit Motor	VSSHP270	R0562200
1	Motor, Variable Speed, Regal Beloit Motor	VSSHP220	R0562201
2	Backplate, Pump, SHP, PHP/MHP	All	R0445200
3	Impeller Replacement Kit	VSSHP270	R0807200
3	Impeller Replacement Kit	VSSHP220	R0807201
4	Diffuser with O-ring and Hardware	All	R0445400
5	Mechanical Seals (Carbon and Ceramic)	All	R0479400
6	Body, Pump	All	R0445601
7	Motor Mounting Foot Assembly, SHP	All	R0445700
8	Locking Ring (With Lid and O-ring)	All	R0445800
9	Filter Basket	All	R0445900
10	Plug, Drain (Set of 2)	All	R0446000
11	Tail Piece (2" by 2½") with Union Nut and O-ring (Set of 2)	All	R0446101
12	Seal, Lid	All	R0446200
13	Blue Pressure Test O-ring	All	R0479000
14	O-ring, Backplate	All	R0446300
15	O-ring, Tail Piece (Set of 2)	All	R0446400
16	Diffuser/Impeller Hardware Set	All	R0446500
17	Backplate Hardware with Set of 8 Bolts and Washers	All	R0446600
18	Motor Hardware with Set of 4 Bolts and Washers	All	R0446700
19	Screws, Motor Mounting Foot (Set of 2)	All	R0446800
20	Cover, Speed Drive (With Hardware), ePump, Regal Beloit Motor	Regal Beloit Motor	R0562300
21	Cover, Fan, 1-3 HP, ePump Replacement Kit, Regal Beloit Motor	Regal Beloit Motor	R0562400
22	Hardware Speed Drive, ePump, Regal Beloit Motor	Regal Beloit Motor	R0562500
23	Connector, Speed Drive, ePump (4-Pin Connector) (Not Shown)	All	R0660900
24	Data Cable Bulkhead Fitting	All	R0501100
25	Screw, Electrical Box (Set of 2)	Regal Beloit Motor	R0562600
26	Screw with O-ring, Self-Sealing	All	R0515400
27	Cable, RS485, Replacement Kit	All	R0535100

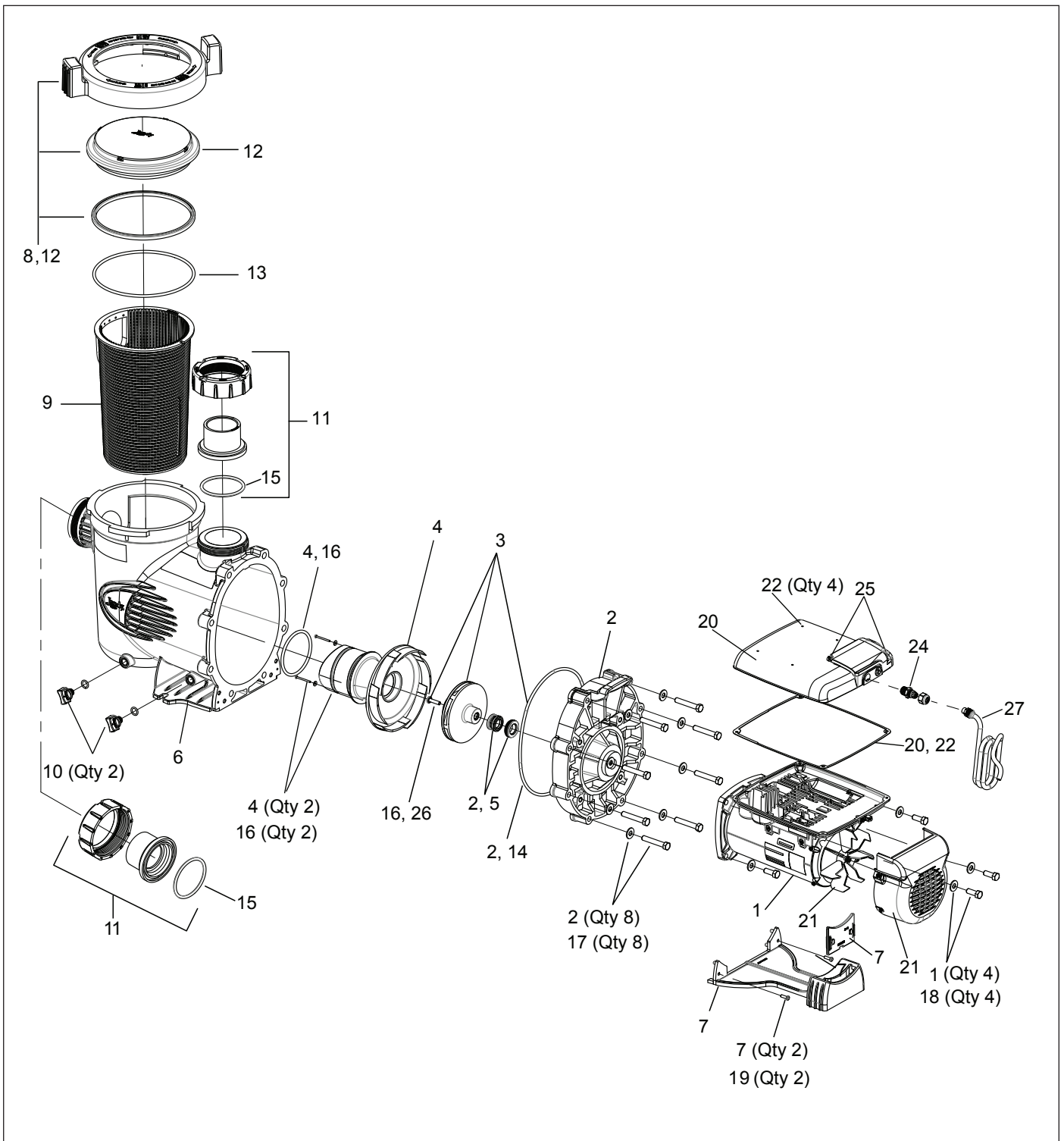
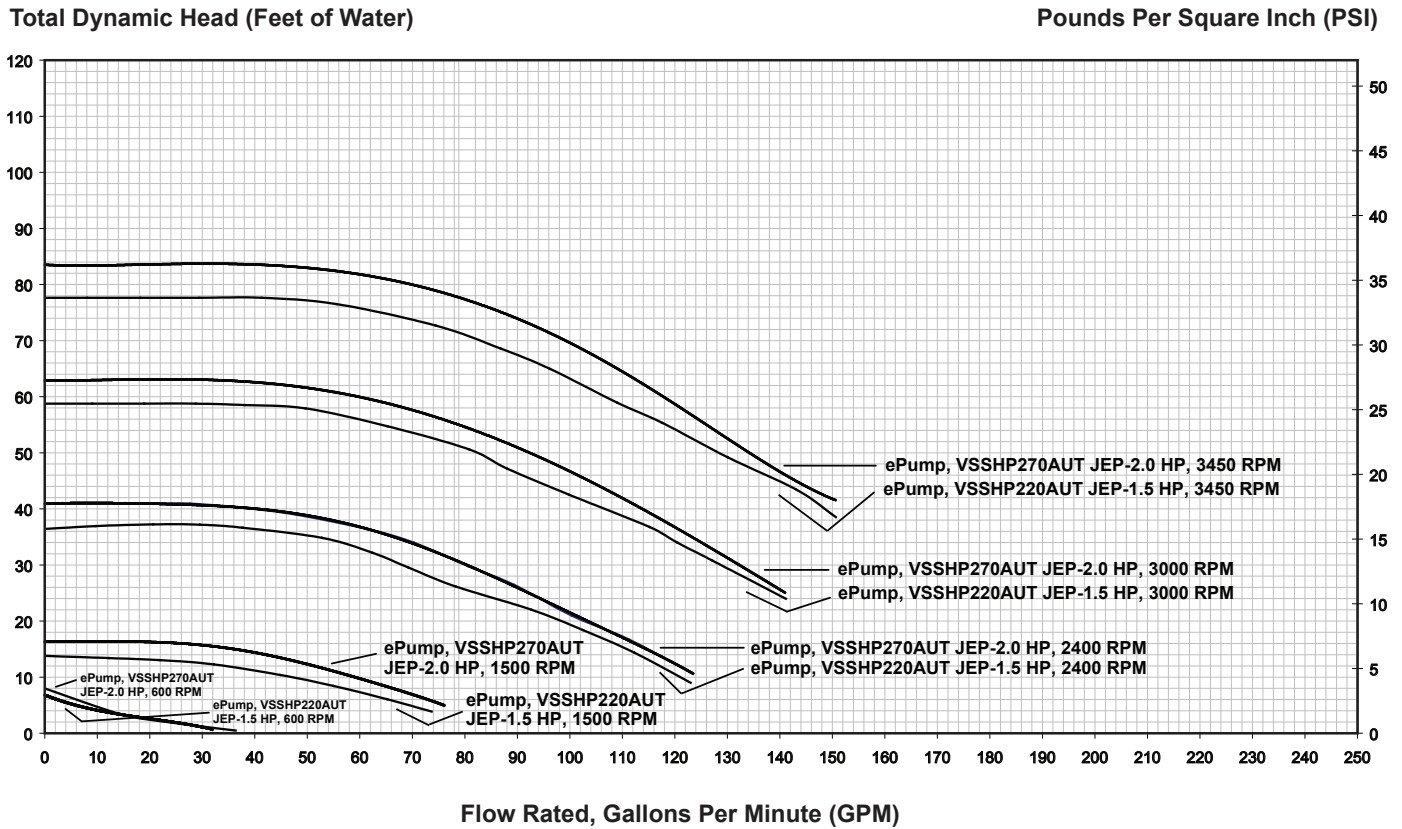


Figure 19. ePump Exploded View, Regal Beloit Motor

7.2 Performance Curves

ePump Series High Head Pumps Full-Rated (JEP)

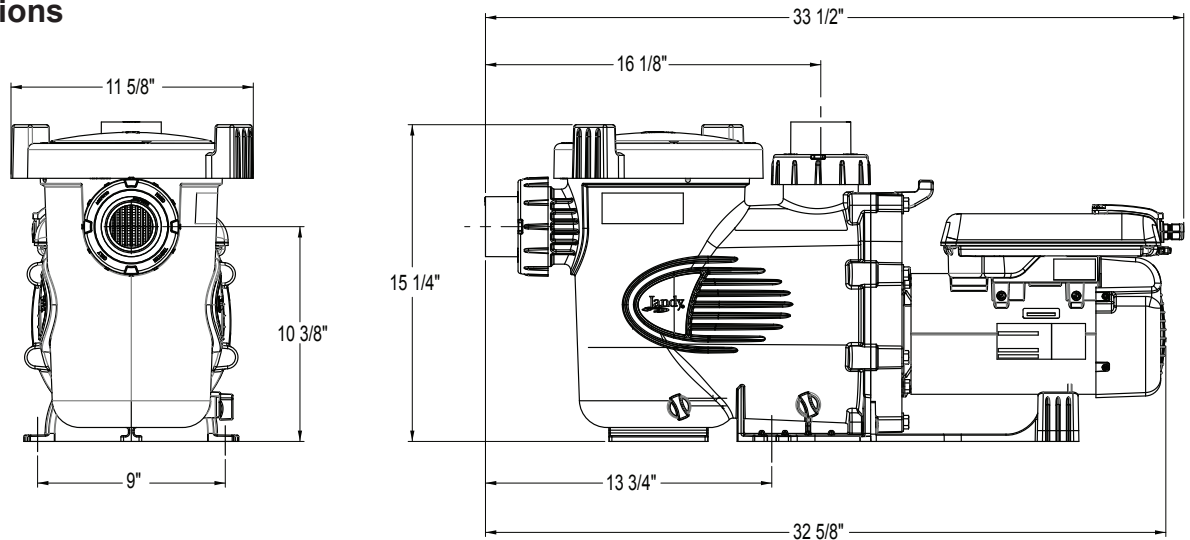


7.3 Physical and Operational Specifications

7.3.1 Specifications

Model No.	HP	Voltage	Watts	Pipe Size	Carton Weight	Overall Length
VSSHP270AUT JEP2.0, Regal Beloit Motor	0.25 - 2.7	230 VAC	2,400 W	2½ - 3"	59.3 lbs.	33½"
VSSHP220AUT JEP1.5, Regal Beloit Motor	0.25 - 2.2	230 VAC	2,070 W	2½ - 3"	59.3 lbs.	33½"

7.3.2 Dimensions



NOTE When installing a pump, leave a minimum of 2 feet of clearance above the pump for removal of the strainer basket.

7.4 Replacement Motor Guide

Pump Model	Regal Beloit
VSSH270AUT JEP2.0, Regal Beloit Motor	M48AA66D58
VSSH220AUT JEP1.5, Regal Beloit Motor	M48AA81D58

Zodiac Pool Systems Canada, Inc.

2-3365 Mainway, Burlington, Ontario L7M 1A6
+ 1 (888) 647-4004 | www.ZodiacPoolSystems.ca

Zodiac Pool Systems LLC

2620 Commerce Way, Vista, CA 92081
1.800.822.7933 | www.ZodiacPoolSystems.com

©2017 Zodiac Pool Systems, Inc. ZODIAC® is a registered trademark of Zodiac International, S.A.S.U., used under license. All trademarks referenced herein are the property of their respective owners.

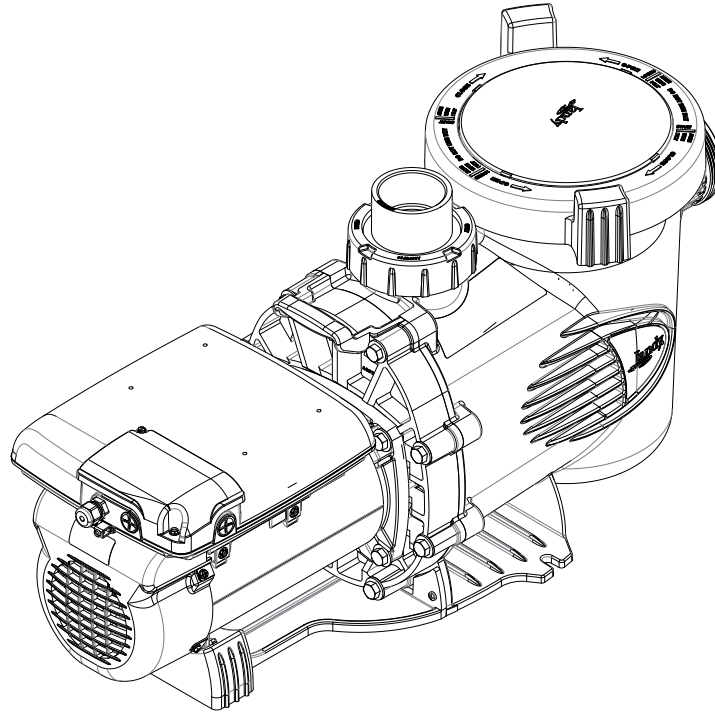
H0365700 Rev E



ETL LISTED
CONFORMS TO
UL STD 1081
CERTIFIED TO
CSA STD C22.2
NO. 108



Pompes de la série ePump™



AVERTISSEMENT

POUR VOTRE SÉCURITÉ – L'installation et l'entretien de ce produit doivent être effectués par un technicien autorisé et qualifié pour la réparation des équipements de piscine par les autorités compétentes du territoire dans lequel ledit produit est installé lorsque de telles exigences locales ou provinciales sont édictées. Le responsable de l'entretien doit être un professionnel ayant une expérience suffisante dans l'installation et l'entretien des équipements de piscine de manière à ce que les consignes du présent manuel puissent être suivies à la lettre. Avant d'installer ce produit, lire toutes les consignes de mise en garde et les instructions incluses avec ce produit et respectez-les. Le non-respect des avertissements et des instructions pourrait causer des dommages matériels, des blessures graves ou même un décès. L'installation ou l'utilisation inappropriée annuleront la garantie. L'installation ou l'utilisation inappropriée peuvent créer un danger électrique indésirable qui peut provoquer des blessures graves, des dommages à la propriété ou la mort.



À L'ATTENTION DE L'INSTALLATEUR – Le présent manuel contient des renseignements importants sur l'installation, le fonctionnement et la sécurité de ce produit. Ces renseignements doivent être donnés au propriétaire ou à l'utilisateur de cet appareil.

Table des matières

Section 1. CONSIGNES DE SÉCURITÉ IMPORTANTES	31	Section 5. Service et entretien	43
1.1 Consignes de sécurité	31	5.1 Entretien de routine	43
1.2 Normes de prévention du piégeage par l'aspiration de la pompe de piscine	33	5.2 Hivernage de la pompe	43
Section 2. Description générale	34	Section 6. Dépannage et réparation	44
2.1 Introduction	34	6.1 Dépannage	44
2.2 Description	34	6.2 Entretien par un technicien de service ..	46
Section 3. Information sur l'installation	34	Section 7. Caractéristiques du produit et données techniques	51
3.1 Plomberie	34	7.1 Liste et vue éclatée des pièces de re- change	51
3.2 Installation électrique	36	7.2 Courbes de performance	53
3.3 Réglages des commutateurs DIP de la ePump	39	7.3 Caractéristiques physiques et fonctionnelles	53
3.4 Essais de pression	39	7.4 Guide de remplacement du moteur	54
3.5 Conduite d'un essai de pression	41		
3.6 Fonctionnement de la charge auxiliaire	41		
Section 4. Fonctionnement	42		
4.1 Démarrage	42		

FICHE DE RENSEIGNEMENTS SUR L'ÉQUIPEMENT

DATE D'INSTALLATION _____

INFORMATION SUR L'INSTALLATEUR _____

LECTURE INITIALE DU MANOMÈTRE (AVEC FILTRE PROPRE) _____

MODÈLE DE POMPE _____ PUISSANCE _____

REMARQUES : _____

Section 1. CONSIGNES DE SÉCURITÉ IMPORTANTES

LIRE ET SUIVRE TOUTES LES CONSIGNES

1.1 Consignes de sécurité

Tous les travaux d'électricité doivent être accomplis par un électricien agréé et doivent se conformer aux normes fédérales, provinciales et locales. Au moment de l'installation et de l'utilisation de cet équipement électrique, des précautions de base doivent toujours être suivies, entre autres :

AVERTISSEMENT

RISQUE DE PIÉGEAGE DANS LA CONDUITE D'ASPIRATION QUI, SI NON ÉVITÉ, POURRAIT ENTRAÎNER DES BLESSURES GRAVES OU LA MORT. Ne pas bloquer l'aspiration de la pompe, car cela peut causer une blessure grave ou la mort. Ne pas utiliser cette pompe pour des pataugeoires, des piscines peu profondes ou des spas ayant des canalisations d'évacuation à la base, sauf si la pompe est connectée à au moins deux (2) orifices d'aspiration qui fonctionnent. Les couvercles de canalisations d'évacuation doivent être certifiés par la dernière édition publiée d'ANSI/ASME A112.19.8 ou sa norme subséquente, ANSI/APSP-16.

AVERTISSEMENT

Pour réduire le risque de blessure, ne pas permettre aux enfants d'utiliser ce produit.

AVERTISSEMENT

Pour réduire le risque de dommages matériels et de blessures, ne pas essayer de changer la position du robinet (multivoies, de glissement ou de passage intégral) de lavage à contre-courant pendant le fonctionnement de la pompe.

AVERTISSEMENT

Les pompes de la série Jandy Pro sont entraînées par un moteur électrique à haute tension et doivent être installées par un électricien agréé ou certifié ou un technicien qualifié en entretien de piscine.

AVERTISSEMENT

En raison du risque potentiel d'incendie, de choc électrique ou de blessures aux personnes, l'équipement de la série Jandy Pro doit être installé en conformité avec le Code national de l'électricité, tous les codes locaux d'électricité et de sécurité et la Loi sur la santé et la sécurité au travail (OSHA). Des copies du Code national de l'électricité peuvent être commandées auprès de la « National Fire Protection Association® », 470 Atlantic Ave., Boston, MA 02210, ou de l'agence locale d'inspection gouvernementale.

AVERTISSEMENT

RISQUE DE CHOC ÉLECTRIQUE, D'INCENDIE, DE BLESSURES OU DE MORT. Brancher seulement à un circuit qui est protégé par un disjoncteur de fuite à la terre (GFCI). Consulter un électricien certifié s'il y a doute. S'assurer qu'un tel disjoncteur est fourni par l'installateur et fait l'objet d'essais régulièrement. Pour tester le disjoncteur de fuite à la terre, appuyer sur le bouton de test. Le disjoncteur de fuite à la terre doit couper l'alimentation électrique. Appuyer sur le bouton de réinitialisation. L'alimentation électrique devrait être restaurée. Si le disjoncteur de fuite à la terre ne fonctionne pas de cette façon, le disjoncteur est défectueux. Si le disjoncteur de fuite à la terre coupe l'alimentation à la pompe sans que le bouton de test soit enfoncé, il y a alors écoulement de courant à la terre, ce qui indique la possibilité de choc électrique. Ne pas utiliser l'appareil Débrancher cet appareil et s'assurer que le problème soit résolu par un représentant de service qualifié avant de l'utiliser.

AVERTISSEMENT

Un équipement mal installé peut être défaillant et peut ainsi causer des blessures graves ou des dommages matériels.

AVERTISSEMENT

- Ne pas raccorder la pompe à un système d'aqueduc de ville non réglementé ou à une autre source externe d'eau sous pression produisant des pressions supérieures à 35 lb/po².
- Le piégeage d'air dans le système peut provoquer une ouverture explosive du couvercle du filtre pouvant causer la mort, de graves blessures personnelles ou des dommages matériels. S'assurer que tout l'air est bien expulsé du système avant de l'utiliser.

⚠ AVERTISSEMENT

Pour réduire les risques de blessure grave, voire de mort, le filtre et/ou la pompe ne devraient pas être soumis à l'essai de mise sous pression du système de tuyauterie.

Les codes locaux peuvent exiger l'application d'un essai de pression au système de tuyauterie de la piscine. Ces exigences ne s'appliquent généralement pas à l'équipement de piscine tel que les filtres ou les pompes.

L'équipement de piscine de la série Jandy Pro a fait l'objet d'essais de mise sous pression en usine.

Si toutefois l'AVERTISSEMENT ne peut être respecté et que l'essai de pression du système de tuyauterie doit aussi comprendre le filtre et/ou la pompe, S'ASSURER DE SE CONFORMER AUX CONSIGNES DE SÉCURITÉ SUIVANTES :

- Vérifier tous les colliers, les boulons, les couvercles, les bagues de blocage et les accessoires du système afin de s'assurer qu'ils sont correctement installés et fixés solidement avant les essais.
- **ÉVACUER TOUT L'AIR** dans le circuit avant les essais.
- La pression d'eau pour l'essai ne doit PAS DÉPASSER 35 LB/PO² (241 kPa).
- La température de l'eau pour l'essai NE DOIT PAS DÉPASSER 100 °F (38 °C).
- Limiter l'essai à 24 heures. Après l'essai, vérifier visuellement le système pour s'assurer qu'il est prêt à fonctionner.

Avis : Ces paramètres s'appliquent uniquement à l'équipement de la série Jandy Pro. Pour l'équipement non fabriqué par de la série Jandy Pro, veuillez consulter le fabricant.

⚠ AVERTISSEMENT

Des déversements et vapeurs chimiques peuvent affaiblir l'équipement de la piscine ou du spa. La corrosion peut entraîner la défaillance des filtres et autre équipement, ce qui peut entraîner des blessures graves ou des dommages matériels. Ne pas entreposer de produits chimiques de piscine près de votre équipement.

ATTENTION

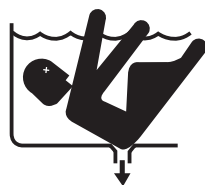
Ne pas démarrer votre pompe à sec! Faire fonctionner la pompe à sec pendant une durée quelconque causera des dommages importants et annulera la garantie.

ATTENTION

- Cette pompe doit être utilisée avec des piscines installées de manière permanente et, si c'est également mentionné, avec des jacuzzis et des spas. Ne pas utiliser avec des piscines remisables. Une piscine installée est construite dans le sol ou en surface ou dans un bâtiment, de manière à ce qu'elle ne puisse pas être facilement démontée pour l'entreposage. Une piscine remisable est construite pour qu'elle puisse facilement être démontée pour être rangée, puis remontée à son état initial.
- Ne pas installer sous la jupe d'une cuve thermale. La pompe nécessite une ventilation adéquate pour maintenir la température de l'air inférieure à la température ambiante maximale indiquée sur la plaque des caractéristiques du moteur.
- Pour l'installation au Canada, cette pompe comporte un indice de boîtier protection de type 3R et n'est donc pas destinée à être installée dans des zones soumises à la poussière soufflée par le vent.

CONSERVER CES DIRECTIVES

1.2 Normes de prévention du piégeage par l'aspiration de la pompe de piscine.



⚠ AVERTISSEMENT

DANGER D'ASPIRATION. Peut provoquer de graves blessures ou la mort. Ne pas utiliser cette pompe pour des pataugeoires ou des piscines peu profondes ou des spas ayant des canalisations d'évacuation à la base, sauf si la pompe est connectée à au moins deux (2) orifices d'aspiration qui fonctionnent.

⚠ AVERTISSEMENT

L'aspiration de la pompe est dangereuse et peut piéger, noyer ou éviscérer les baigneurs. Ne pas utiliser ni faire fonctionner les piscines, les spas ou les jacuzzis si un couvercle de sortie d'aspiration est absent, brisé ou instable. Les directives suivantes fournissent l'information d'installation de la pompe qui permet de réduire le plus possible les risques de blessures aux utilisateurs des piscines, des spas et des jacuzzis :

Protection contre le piégeage – Le système d'aspiration de la pompe doit fournir une protection contre les dangers de piégeage par aspiration.

Couvercles de sorties d'aspiration – Toutes les sorties d'aspiration doivent être correctement installées et les couvercles bien vissés en place. Tous les couvercles de sortie d'aspiration (canalisation d'évacuation) doivent être entretenus. Les couvercles de canalisations d'évacuation doivent être listés/certifiés par la dernière édition publiée d'ANSI/ASME A112.19.8 ou sa norme subséquente, ANSI/APSP-16. Ils doivent être remplacés s'ils sont fissurés, cassés ou absents.

Nombre de sorties d'aspiration par pompe – Fournir au moins deux (2) canalisations d'évacuation hydrauliquement équilibrées, avec couvercles, en guise de sorties d'aspiration pour chaque conduite d'aspiration de pompe de circulation. Les centres des canalisations d'évacuation principales (sorties d'aspiration) sur toute conduite d'aspiration doivent être à au moins un (1) mètre (3 pi) l'une de l'autre, de centre en centre. Voir la Figure 1 à la Page 7.

Le système **doit** être conçu pour comprendre au moins deux sorties d'aspiration (canalisations d'évacuation) connectées à la pompe chaque fois que la pompe fonctionne. Cependant, si deux (2) canalisations principales d'évacuation aboutissent à une seule conduite d'aspiration, cette dernière peut être équipée d'un robinet qui coupera les deux canalisations principales d'évacuation de la pompe. Le système doit être conçu de manière à ne pas permettre une fermeture ou un isolement, distinct ou indépendant de chaque canalisation d'évacuation. Voir la Figure 1 à la Page 7.

Plus d'une (1) pompe peut être connectée à une seule conduite d'aspiration aussi longtemps que les exigences susmentionnées soient remplies.

La vitesse maximale de l'eau à travers le raccord d'aspiration ou le couvercle pour toute sortie d'aspiration doit être de 45 cm/s (1,5 pi/s), à moins que la sortie ne soit conforme à la dernière version de la norme ANSI/ASME A112.19.8, la norme pour *les Raccords d'aspiration à utiliser dans les applications de piscine, de pataugeoire, de spa, de cuve thermique et de baignoire de massage* ou sa norme subséquente, ANSI/APSP-16. Dans tous les cas, ne pas dépasser les débits maximaux conçus pour les raccords d'aspiration.

Si 100 % du débit de la pompe provient du système principal de canalisation d'évacuation, la vitesse maximale de l'eau dans le système hydraulique de la pompe d'aspiration doit être de 1,8 m/s (6 pi/s) ou moins, même lorsqu'une (1) canalisation d'évacuation principale (sortie d'aspiration) est complètement bloquée. Le débit à travers les autres drains principaux doit se conformer à la dernière édition publiée de la norme ANSI/ASME A112.19.8, la norme pour *les Raccords d'aspiration à utiliser dans les applications de piscine, de pataugeoire, de spa, de cuve thermique et de baignoire de massage* ou sa norme subséquente, ANSI/APSP-16.

Essais et certification – Les couvercles pour la prise d'aspiration doivent avoir fait l'objet d'essais de la part d'un laboratoire reconnu au niveau national et jugés conformes à la dernière version publiée de la norme ANSI/ASME A112.19.8, la norme pour *les Raccords d'aspiration à utiliser dans les applications de piscine, de pataugeoire, de spa, de cuve thermique et de baignoire de massage* ou sa norme subséquente, ANSI/APSP-16.

Raccords – Les raccords limitent le débit, pour une plus grande efficacité, utiliser le moins de raccords possibles (mais au moins deux (2) sorties d'aspiration).

Éviter les raccords qui pourraient causer le piégeage d'air.

Les raccords d'aspiration du nettoyeur à piscine doivent être conformes aux normes de l'International Association of Plumbing & Mechanical Officials (IAPMO).

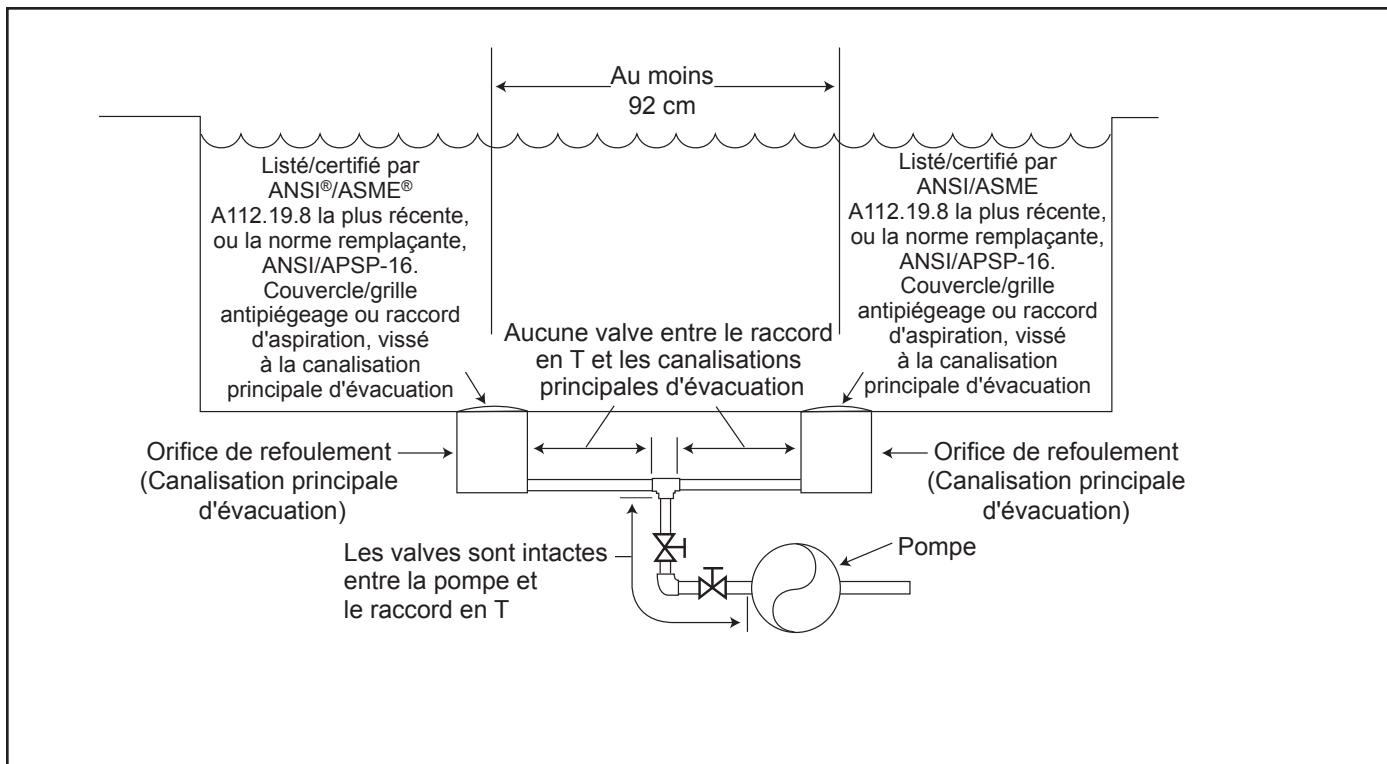


Figure 1. Nombre de sorties d'aspiration par pompe

Section 2. Description générale

2.1 Introduction

Le présent manuel contient des renseignements sur l'installation, le fonctionnement et l'entretien approprié des pompes à vitesse variable de la série Jandy Pro ePump. Les procédures de ce manuel doivent être scrupuleusement suivies. Pour obtenir de renseignements supplémentaires, veuillez communiquer avec le service clientèle de Zodiac® au +1 (800) 822-7933 ou visiter notre site Web www.zodiacpoolsystems.com. Pour des renseignements sur l'adresse, voir le verso du présent manuel.

2.2 Description

L'ePump est une pompe à vitesse variable qui peut fonctionner de 600 tr/min à 3 450 tr/min. Lorsqu'elle est raccordée au régulateur de la ePump Jandy Pro, jusqu'à huit paramètres de vitesse (8) pourront être programmés et rappelés. Cela permet de choisir la vitesse la plus adéquate pour votre application. Pour une programmation encore plus polyvalente, utiliser un régulateur RS AquaLink Jandy Pro

La pompe de la série Jandy Pro ePump est conçue pour répondre aux besoins d'un équipement de piscine moderne plus exigeant sur le plan hydraulique. Le boîtier de pompe, le panneau arrière, le diffuseur et le filtre à cheveux et à mousse (panier-filtre) sont tous composés de matières thermoplastiques de qualité supérieure. Ces matériaux ont été choisis pour leur robustesse et leur résistance à la corrosion.

La pompe est actionnée par un moteur électrique directement lié à la turbine de la pompe. Le moteur électrique entraîne la turbine qui propulse l'eau à travers la pompe. L'eau s'écoule par l'entrée de la pompe puis passe par le panier-filtre. L'ensemble-filtre épure l'eau en piégeant les particules de grande taille. L'eau pénètre alors au centre du boîtier de pompe, puis traverse la turbine jusqu'au diffuseur et sort par l'orifice de refoulement de la pompe.

Section 3. Information sur l'installation

3.1 Plomberie

3.1.1 Information sur la préparation

1. Dès réception de la pompe, vérifier que la caisse d'expédition n'est pas endommagée. Ouvrir le carton et vérifier que la pompe ne cache aucun dommage comme des fissures, des bosses et que la base n'a pas été pliée. S'il y a des dommages, communiquer avec l'expéditeur ou le concessionnaire chez qui la pompe a été achetée.
2. Inspecter le contenu du carton et vérifier que toutes les pièces s'y trouvent. Voir la *Section 7.1, Liste et vue éclatée des pièces de rechange*.

3.1.2 Emplacement de la pompe

⚠ ATTENTION

Pour l'installation au Canada, cette pompe comporte un indice de boîtier protection de type 3R et n'est donc pas destinée à être installée dans des zones soumises à la poussière soufflée par le vent.

1. Zodiac recommande d'installer la pompe à 30 cm (1 pied) au-dessus du niveau de l'eau. Se référer à la Figure 2 pour une installation typique. La pompe ne devrait pas être élevée de plus d'un mètre au-dessus de la surface de l'eau de la piscine. Un clapet antiretour est recommandé dans la conduite d'aspiration vers la pompe

⚠ WARNING

Pour réduire le risque d'incendie, poser l'équipement de piscine dans un endroit où des feuilles ou des débris ne s'accumuleront pas. Laisser la zone environnante libre de débris, comme des papiers, des feuilles, des aiguilles de pins et d'autres matériaux combustibles.

⚠ AVERTISSEMENT

Certains dispositifs de sécurité par déclenchement sous vide (SVRS) ne sont pas compatibles avec l'installation de clapet antiretour. Si la piscine comporte un dispositif de sécurité par déclenchement sous vide (SVRS), ne pas oublier de confirmer qu'il continuera à fonctionner en toute sécurité lorsqu'un clapet antiretour sera installé.

REMARQUE Pour réaliser un meilleur autoamorçage, installer la pompe le plus près possible du niveau d'eau de la piscine.

2. Si la pompe est située en dessous du niveau de l'eau, les clapets d'isolement doivent être installés à la fois dans les conduites d'aspiration et de retour pour empêcher le retour d'eau de la piscine pendant tout entretien requis ou de routine.
3. La pompe et autre équipement de circulation doivent être situés à plus d'un mètre et demi (cinq pieds) de l'eau. Choisir un emplacement qui réduira les enroulements de tuyauterie.

REMARQUE Au Canada, la pompe doit être située à un minimum de trois (3) mètres (environ 10 pieds) de l'eau (CSA C22.1).

4. La pompe doit être placée sur une base solide qui ne vibrera pas. Pour réduire davantage la possibilité de bruit de vibration, verrouiller la pompe à la base ou la placer sur un tapis de caoutchouc.

REMARQUE Zodiac Pool Systems LLC recommande de verrouiller la pompe directement à la base.

5. La fondation de la pompe doit avoir un drainage adéquat pour empêcher de mouiller le moteur. Protéger la pompe de la pluie et du soleil.

6. Une bonne ventilation est requise pour que la pompe fonctionne normalement. Tous les moteurs dégagent de la chaleur, qui doit être évacuée par une bonne ventilation.
7. Prévoir un accès pour entretien futur en laissant une zone dégagée autour de la pompe. Laisser beaucoup d'espace au-dessus de la pompe pour pouvoir ôter le couvercle et le panier-filtre lors du nettoyage.
8. Si l'équipement est dans une zone potentiellement sombre, prévoir un éclairage adéquat.

3.1.3 Dimension de la canalisation

REMARQUE Toutes les caractéristiques nominales en HP données dans cette section s'appliquent aux pompes à plein régime.

3.1.3.1 Canalisation d'aspiration

Quand la pompe est située à 15 mètres (50 pi) de la piscine, la dimension minimale recommandée pour le tuyau de la partie aspiration est de 5 cm (2 po) pour 0,75 à 1,5 HP*. Pour les pompes de 2,0 HP*, la dimension de canalisation recommandée est de 6,25 cm (2 po 1/2) Une taille de 7,5 cm (3 po) est recommandée pour les pompes de 3 HP*.

* HP fait référence aux pompes plein régime.

3.1.3.2 Canalisation de refoulement

Quand la pompe est située à 15 mètres (50 pi) de la piscine, la taille minimale recommandée pour le tuyau pour la partie refoulement est de 2 pouces pour 0,75 à 1,5 HP*. Une taille de 2,5 pouces est recommandée pour les pompes de 2 HP*. Une taille de 3 pouces est recommandée pour les pompes de 3 HP*.

* HP fait référence aux pompes plein régime.

REMARQUE Toutes les dimensions de canalisation sont en mesure de résister aux pressions de la pompe, mais pas nécessairement au débit. Si la canalisation est trop petite pour la pompe ou si elle est élevée au-dessus de l'eau, le nombre de gallons par minute (GPM) peut ne pas être atteint. Si cela se produit, la pompe développera une poche d'air (cavité) qui fera du bruit La vie utile de la pompe peut être raccourcie.

3.1.3.3 Conseils d'installation

1. Si la pompe est située en dessous du niveau de l'eau, les clapets d'isolement doivent être installés sur les deux côtés de la pompe pour empêcher le retour d'eau pendant tout entretien requis ou de routine.
2. Pour aider à prévenir les difficultés au moment de l'amorçage, installer la canalisation d'aspiration sans point haut (dessus de l'admission de la pompe - « U » inversés, communément nommés « poches d'air » en plomberie) qui piègent l'air. Pour les installations d'un équipement jusqu'à 100 pieds (30 m) de l'eau, se référer au Tableau 1, le graphique des dimensions de la canalisation. Pour des installations d'équipement à plus de 30 m de l'eau, la dimension de la canalisation recommandée doit être augmentée.

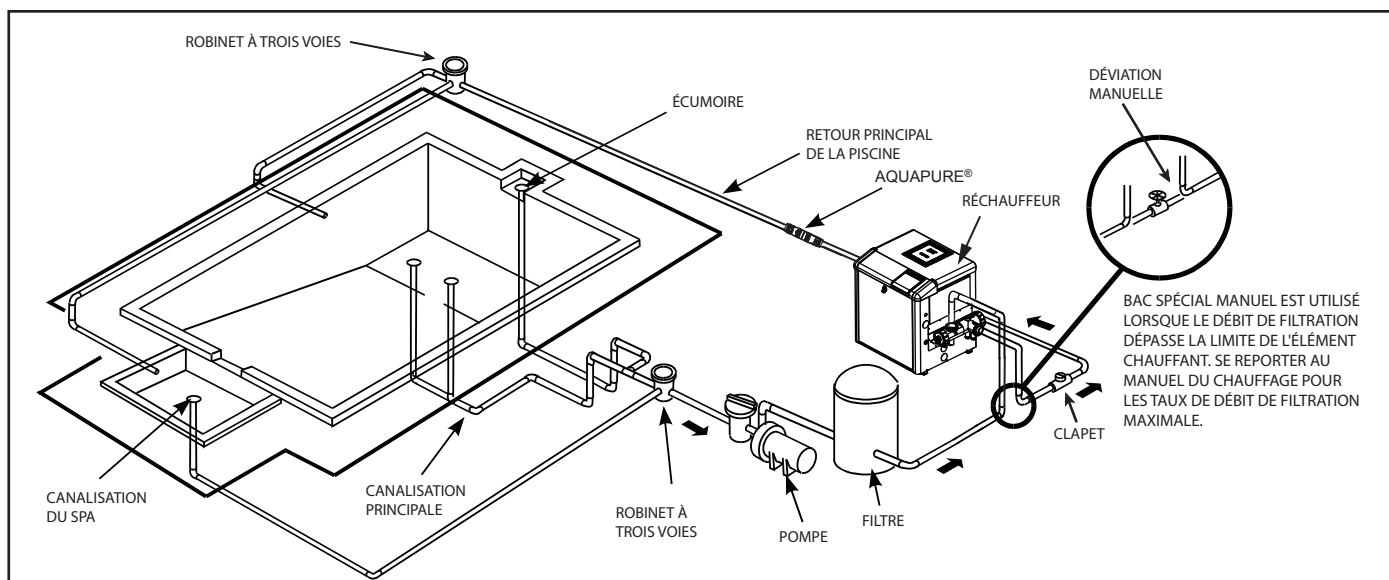


Figure 2. Installation typique de la tuyauterie

Tableau 1. Tableau des dimensions de canalisation pour l'annexe 40 en PVC

Dimensions de la canalisation	Débit maximal d'aspiration (2,4 mètres (6 pi) par seconde)	Débit de refoulement maximal (2,4 mètres (8 pi) par seconde)
1½ pouces	37 gpm (140 L/min)	50 gpm (189 L/min)
2 pouces	62 gpm (235 L/min)	85 GPM (322 L/min)
2½ pouces	88 gpm (333 L/min)	120 GPM (454 L/min)
3 pouces	136 gpm (515 L/min)	184 GPM (697 L/min)
4 pouces	234 gpm (886 L/min)	313 gpm (1 185 L/min)

- Les pompes de la série ePump sont munies de raccords aux deux orifices d'aspiration et de refoulement. Cette fonctionnalité simplifie l'installation et l'entretien et élimine la possibilité de fuite dans les adaptateurs filetés.
- La pompe de la série Jandy Pro ePump doit être raccordée à au moins deux (2) drains principaux hydrauliquement équilibrés (sorties d'aspiration) pour chaque conduite d'aspiration de la pompe de piscine. Se référer à la Figure 2. Chaque drain doit être fourni avec des couvercles qui sont énumérés ou certifiés à la dernière édition publiée de la norme ANSI/ASME A112.19.8 ou sa norme subséquente, ANSI/APSP-16. Les raccords d'aspiration des drains principaux doivent être séparés l'un de l'autre d'au moins trois (3) pieds (1 m) ou à des plans différents. Les sorties d'aspiration peuvent être un drain et une écumoire, deux (2) drains, deux (2) écumoires ou une écumoire avec une conduite d'égalisation. Pour plus de détails et les instructions, consulter la norme ANSI/APSP 7 pour la Prévention du piégeage dans les piscines, les pataugeoires, les spas, les jacuzzis et les bassins collecteurs. Vérifier les codes locaux pour les normes d'une bonne installation. Les codes locaux applicables ont préséance sur les autres codes.

REMARQUE Pour éviter le piégeage, le système doit être construit de façon à ce qu'il ne puisse pas fonctionner avec la pompe tirant l'eau d'un seul drain principal (1). Au moins deux (2) canalisations principales d'évacuation doivent être connectées à la pompe pendant son fonctionnement. Cependant, si deux (2) canalisations principales d'évacuation aboutissent à une seule conduite d'aspiration, cette dernière peut être équipée d'un robinet qui coupera les deux canalisations principales d'évacuation de la pompe.

- La canalisation doit être bien soutenue et ne pas forcer là où elle exerce une pression constante.
- Toujours utiliser des robinets bien calibrés. Jandy Pro Les inverseurs et les clapets à bille Jandy Pro offrent un meilleur débit.
- Utiliser le moins de raccords possibles. Chaque raccord supplémentaire a pour effet de déplacer l'équipement plus loin de l'eau.

REMARQUE Si plus d'un raccord d'aspiration s'avère nécessaire, augmenter la dimension de la canalisation.

- Chaque nouvelle installation doit subir un essai de pression conformément aux codes locaux.

3.2 Installation électrique

3.2.1 Vérifications de la tension

La tension adéquate, telle que spécifiée sur la plaque d'identification de la pompe, est nécessaire pour une bonne performance et une longue durée de vie du moteur. Une tension inappropriée diminuera le rendement de la pompe et pourrait causer de la surchauffe, réduire la durée de vie du moteur et entraîner l'augmentation de la facture d'électricité.

Il est de la responsabilité de l'installateur de fournir la tension fonctionnelle de la pompe figurant sur la plaque d'identification en s'assurant que les bonnes dimensions de circuit et de câble soient utilisées pour cet usage spécifique.

ATTENTION

L'omission de fournir la tension (à 10 % près) figurant sur la plaque d'identification au cours du fonctionnement causera la surchauffe du moteur et annulera la garantie.

3.2.2 Collage

1. Le châssis du moteur doit être mis à la terre à l'aide d'un conducteur solide en cuivre de calibre n° 8 ou plus grand. Au Canada, un calibre n° 6 ou plus grand doit être utilisé. Si la pompe est installée à moins de cinq (5) pieds (1,5 m) des parois intérieures de la piscine, du spa ou de la cuve thermale, le châssis du moteur doit être raccordé à toutes les parties métalliques de la piscine, du spa ou de la cuve thermale et de tous les équipements électriques, les conduits métalliques, les canalisations métalliques et à moins de cinq (5) pieds (1,5 m) des parois intérieures de la piscine, du spa ou de la cuve thermale.
2. Faire le raccordement de mise à la terre du moteur à l'aide de la cosse externe fournie. Voir les figure 3.

AVERTISSEMENT

Débrancher toujours la source d'alimentation avant de travailler sur un moteur ou sur sa charge branchée.

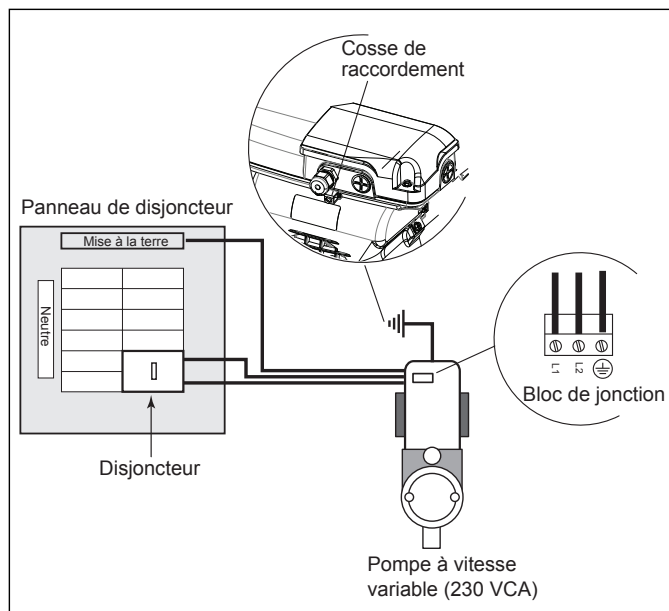


Figure 3. Collage du moteur, Moteur Regal Beloit

AVERTISSEMENT

Afin d'éviter le risque de dommage à la propriété, de blessures personnelles graves, et/ou de mort, s'assurer que le commutateur de commande, la minuterie ou le circuit de commande sont installés dans un endroit accessible, de manière à ce que dans l'éventualité d'une panne d'équipement ou d'un raccord de canalisation desserré, l'équipement puisse être facilement mis hors tension.

ATTENTION

Cette pompe doit être connectée en permanence à un circuit électrique dédié. Aucun autre équipement, lumière, appareil ou prise de courant ne peut être connecté au circuit de la pompe à l'exception des dispositifs qui peuvent devoir fonctionner en même temps que la pompe tel qu'un chlorateur ou un appareil de chauffage.

3.2.3 Câblage électrique

1. Le moteur de la pompe doit être mis à la terre de manière sécurisée et adéquate en utilisant le tournevis vert fourni. Mettre à la terre avant d'essayer de connecter à une source d'alimentation électrique. Ne pas mettre à la terre à un tuyau d'alimentation en gaz.
2. La dimension du câble doit être appropriée pour réduire la chute de tension pendant le démarrage et le fonctionnement de la pompe. Voir le Tableau 2 pour les dimensions suggérées des câbles.
3. Isoler soigneusement toutes les connexions pour empêcher la mise à la terre ou les courts-circuits. Les extrémités tranchantes des bornes nécessitent une protection supplémentaire. Pour des raisons de sécurité et pour empêcher la pénétration de contaminants, replacer tous les couvercles de boîtes de dérivation et de connexions. Ne pas forcer les connexions à la boîte de dérivation.

REMARQUE Puisque la pompe est actionnée soit par le régulateur de la ePump, (JEP-R), un régulateur RS AquaLink® un module numérique de piscine AquaLink (PDA), ou un régulateur AquaLink Z4, la pompe ne démarrera pas tant qu'elle ne sera pas activée par l'un des régulateurs.

Tableau 2. Câblage de dimension recommandée et surintensité maximale pour les ePump

CÂBLAGE DE DIMENSION MAXIMALE ET PROTECTION MAXIMALE CONTRE LES SURINTENSITÉS DES POMPES DE LA SÉRIE ePUMP*		
Distance du sous-panneau		0 à 150 pieds (0 à 45 mètres)
Modèle	Inverser - ampérage des disjoncteurs à sélectivité chronométrique ou des fusibles de la branche Classe : CC, G, H, J, K, RK ou T	TENSION
	230 VCA	208 à 230 VCA
VSSH270AUT JEP2.0, Moteur A.O. Smith	20 A max	12
VSSH220AUT JEP1.5, Moteur A.O. Smith	20 A max	12

*Suppose trois (3) fils en cuivre dans un conduit enterré et une perte maximale de tension de 3 % dans le circuit branché. Le Code national de l'électricité (NEC®) et les codes locaux doivent être respectés. Le tableau présente les recommandations de dimensions minimales de câble et de fusible de dérivation pour une installation type selon le NEC.

3.2.4 Installation du régulateur

La ePump peut être actionnée par l'un des trois (3) régulateurs suivants : le régulateur de la ePump (JEP-R), le régulateur RS (ou rév O ou plus récente) AquaLink ou le module PDA AquaLink (rév 4.0 ou plus récente).

La pompe du modèle muni d'un moteur Jandy Pro est livrée avec un câble RS-485 à quatre fils installé en usine. Ce câble RS-485 est livré avec un câble blindé supplémentaire pour mise à la terre. Le câble blindé doit être mis à la terre SEULEMENT à l'une des extrémités, à la pompe du modèle muni d'un moteur Jandy Pro. Cela est préinstallé en usine. À l'autre extrémité, le câble blindé est pré-serti à l'usine. Si vous devez couper le câble RS-485 d'une longueur particulière, assurez-vous de peler et de sertir le câble de terre blindé. L'ePump communique avec les régulateurs à travers une interface RS-485 à quatre fils.

Pour installer le régulateur ePump :

REMARQUE Le numéro de pièce du régulateur de la ePump est JEP-R.

1. Couper l'alimentation de la ePump en déconnectant les lignes haute tension ou en ouvrant un disjoncteur auquel l'alimentation de la ePump est raccordée.

⚠ AVERTISSEMENT

DANGER DE CHOC ÉLECTRIQUE

Désactiver tous les interrupteurs et le disjoncteur principal dans le circuit électrique de l'ePump avant de commencer la procédure. L'omission d'être conforme peut provoquer un risque de choc, qui peut entraîner des blessures corporelles, voire la mort.

2. Retirer le couvercle de la boîte de jonction de la ePump et alimenter le câble RS-485 dans le raccord.
3. Débrancher le connecteur RS-485 de la ePump.
4. Fixer les quatre (4) fils dans le câble RS-485 vers le connecteur RS-485. Faire correspondre les couleurs de fil avec les positions sur le connecteur : 1 - rouge, 2 - noir, 3 - jaune et 4 - vert. Voir le figure 4.

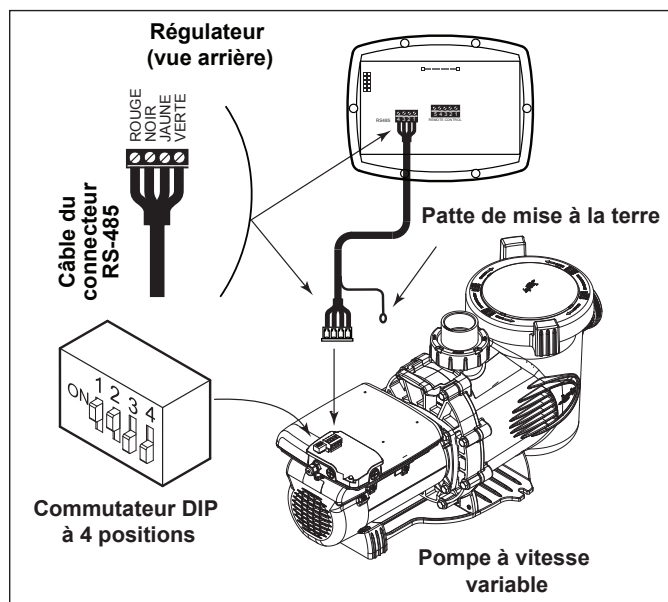


Figure 4. Câblage du régulateur de la ePump (JEP-R) vers la ePump, moteur Regal Beloit

5. Insérer le connecteur RS-485 à l'arrière de la pompe.
6. Faire glisser les commutateurs DIP 1 et 2 vers le haut, de manière à ce qu'ils soient à la position ON, et les commutateurs DIP 3 et 4 vers le bas, de manière à ce qu'ils soient à la position OFF. Voir le figure 4.
7. Raccorder l'autre extrémité du câble au régulateur. Assortir les couleurs de fils avec les positions appropriées des connecteurs, comme présentées à l'étape 4.
8. Réalimenter la ePump, puis vérifier le fonctionnement du régulateur.
9. Se référer au manuel d'utilisation du régulateur de la ePump, H0311200, pour le fonctionnement de la pompe.

Pour installer un régulateur RS AquaLink® (Rév O ou version ultérieure), un PDA AquaLink (Rév 4.0 ou version ultérieure), ou un AquaLink Z4:

1. Couper l'alimentation de la ePump en déconnectant les lignes haute tension ou en ouvrant un disjoncteur auquel l'alimentation de la ePump est raccordée.

⚠ AVERTISSEMENT

DANGER DE CHOC ÉLECTRIQUE

Désactiver tous les interrupteurs et le disjoncteur principal dans le circuit électrique de l'ePump avant de commencer la procédure. L'omission d'être conforme peut provoquer un risque de choc, qui peut entraîner des blessures corporelles, voire la mort.

2. Retirer le couvercle de la boîte de jonction de la ePump et alimenter le câble RS-485 dans le raccord.
3. Débrancher le connecteur RS-485 de la ePump, puis fixer les quatre (4) fils dans le câble RS-485 au connecteur RS-485. Assortir les couleurs de fils avec les positions des connecteurs comme suit : 1 - rouge, 2 - noir, 3 - jaune, et 4 - vert. Voir les figures 5A et 5B.
5. Insérer le connecteur RS-485 dans le ePump.
6. Faire glisser les commutateurs DIP 1 et 2 vers le bas, de manière à ce qu'ils soient à la position OFF. Voir les figures 5A et 5B.
7. Sélectionner les adresses désirées pour les ePump en réglant les commutateurs DIP 3 et/ou 4, tel qu'il est indiqué à la Section 3.3, Réglages des commutateurs DIP de la ePump.

REMARQUE L'AquaLink Z4 contrôleur travaille avec une seule pompe à vitesse variable, de sorte que les paramètres de commutateur dip utilisera les paramètres usine par défaut de OFF pour les quatre commutateurs. Voir la figure 5B.

8. Raccorder l'autre extrémité du câble à un connecteur RS-485 sur le RS AquaLink® (ou carte d'interface du multiplexeur), en faisant correspondre les couleurs de fil avec les positions du connecteur, tel qu'il est indiqué à l'Étape 3.
9. Réalimenter la ePump, puis vérifier le fonctionnement du régulateur.

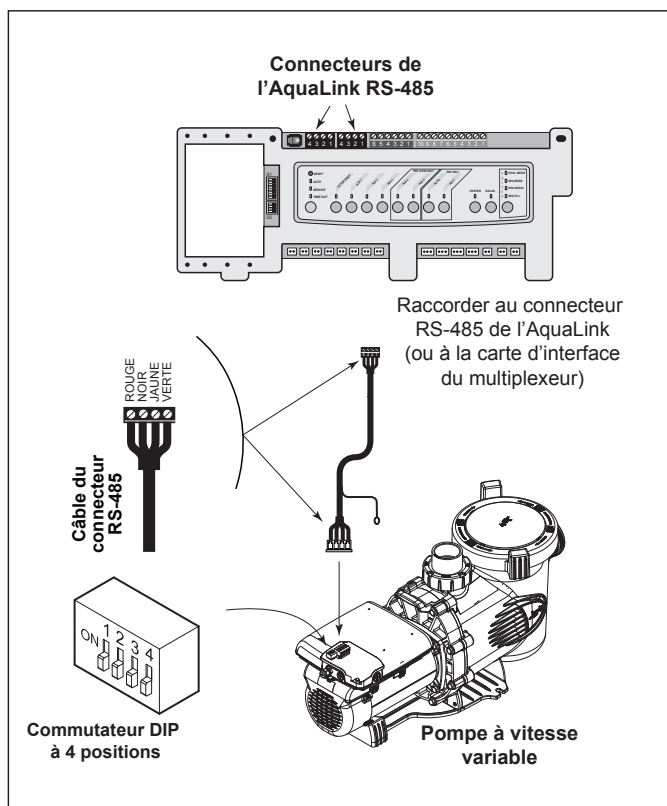


Figure 5A. Câblage du régulateur RS AquaLink ou du module PDA AquaLink vers la ePump, moteur Regal Beloit

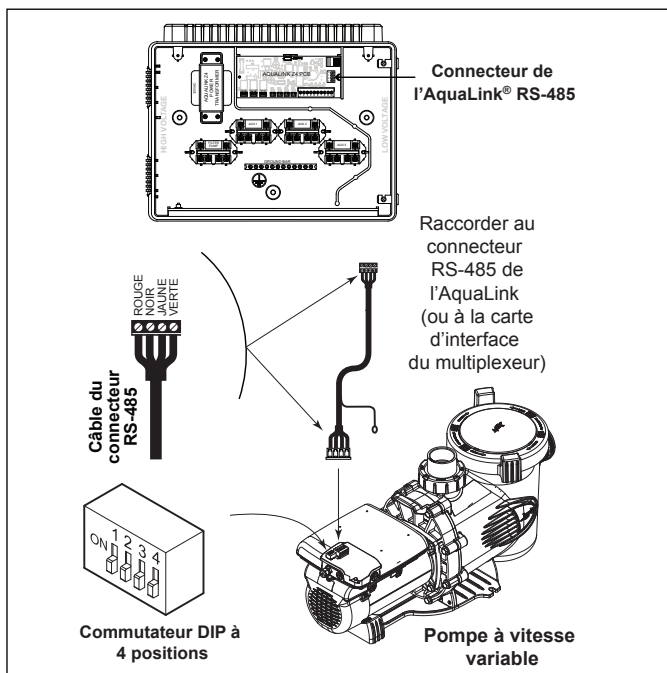


Figure 5B. Câblage du régulateur AquaLink Z4 vers la ePump, moteur Regal Beloit

- Se référer au manuel approprié pour le fonctionnement de la pompe : Manuel d'utilisation du RS AquaLink, 6593, Manuel d'utilisation du module PDA AquaLink, H0572300, ou Manuel d'utilisation du AquaLink Z4, H0386600.

3.3 Réglages des commutateurs DIP de la ePump

Tel qu'il est indiqué aux figures 4, 5A et 5B, le commutateur DIP à 4 positions est situé à l'arrière de la ePump. Ce commutateur DIP remplit deux (2) fonctions : il choisit l'adresse de la pompe et détermine quel type de régulateur sera employé avec la pompe. Les tableaux ci-dessous montrent les configurations des commutateurs DIP.

Interrupteur 1	Interrupteur 2	Régulateur
OFF (désactivé)	OFF (désactivé)	RS AquaLink ou PDA AquaLink
ON (activé)	ON (activé)	Régulateur (JEP-R) de la ePump

Interrupteur 3	Interrupteur 4	Adresse de la pompe
OFF (désactivé)	OFF (désactivé)	Pompe 1
ON (activé)	OFF (désactivé)	Pompe 2
OFF (désactivé)	ON (activé)	Pompe 3
ON (activé)	ON (activé)	Pompe 4

3.4 Essais de pression

Toutes les pompes de modèle Jandy Pro sont livrées avec un joint torique supplémentaire pour les essais de pression. C'est le joint torique bleu d'essai de pression. Voir les figures 6 et 7.

ATTENTION

Ne pas ouvrir le couvercle de la pompe avant l'essai de pression, parce que le joint torique bleu d'essai de pression peut tomber. Si cela survient, vous devrez le remettre sur le couvercle.

Si vous n'avez pas ouvert le couvercle de la pompe, passer à la *Section 3.5, Conduite d'un essai de pression.*

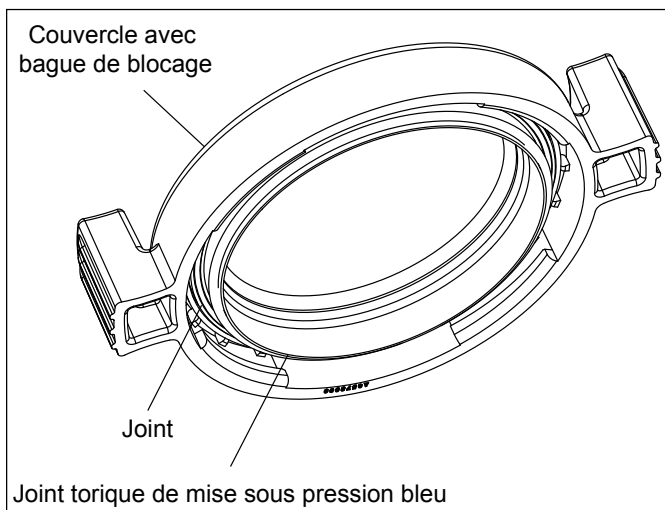


Figure 6. Joint torique bleu pour l'essai de pression de l'assemblage du couvercle

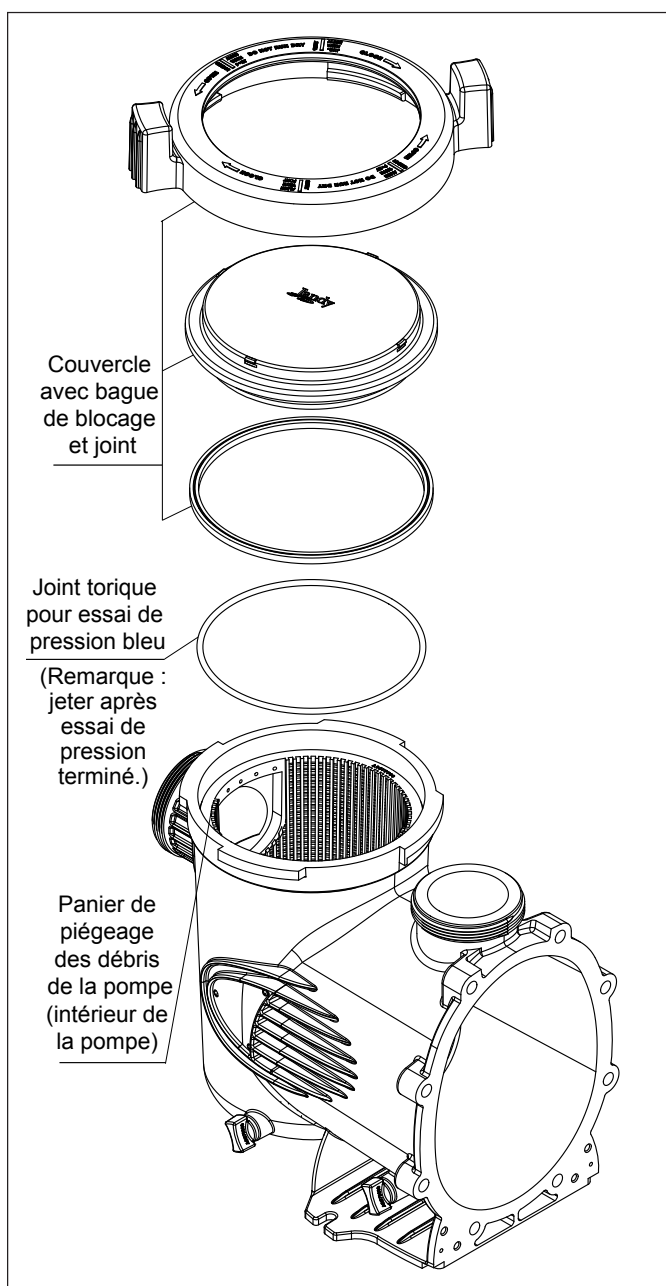


Figure 7. Vue éclatée de la pompe

3.4.1 Remplacer le joint torique bleu pour l'essai de pression, s'il y a lieu

Si le couvercle de la pompe est ouvert avant l'essai de pression, le joint torique bleu se séparera probablement. Si cela se produit, il doit être installé à nouveau sur le couvercle avant de réaliser l'essai de pression.

Il y a un risque de dommage au joint torique bleu pendant la réinstallation. Si le joint est endommagé lors de sa réinstallation, il faut commander un nouveau joint torique bleu d'essai de pression avant d'effectuer l'essai de pression.

Ces instructions décrivent les procédures appropriées pour remplacer, utiliser et éliminer le joint torique bleu.

Ces instructions doivent être scrupuleusement respectées. Lire les consignes en entier avant de commencer la procédure.

3.4.1.1 Retirer le couvercle de la pompe

1. S'assurer que la pompe est arrêtée.
2. S'assurer que le commutateur au disjoncteur qui actionne le moteur de la pompe est arrêté.

⚠ AVERTISSEMENT

DANGER DE CHOC ÉLECTRIQUE

Arrêter la pompe et le disjoncteur principal dans le circuit électrique de la pompe avant de commencer la procédure. L'omission d'être conforme peut provoquer un risque de choc, qui peut entraîner des blessures corporelles, voire la mort.

⚠ AVERTISSEMENT

DANGER DE CHOC ÉLECTRIQUE

En raison du risque potentiel d'incendie, de choc électrique ou de blessures aux personnes, l'équipement de la série Jandy Pro doit être installé en conformité avec le Code national de l'électricité, tous les codes locaux d'électricité et de sécurité et la Loi sur la santé et la sécurité au travail (OSHA). Des copies de la NEC peuvent être commandées auprès de l'Association nationale de protection, 470 Atlantic Ave., Boston, MA 02210, ou auprès de votre organisme local d'inspection gouvernemental.

Au Canada, les pompes Zodiac doivent être installées en conformité avec le Code canadien de l'électricité (CEC).

3. S'assurer que tous les robinets d'isolement nécessaires sont fermés pour empêcher l'eau de la piscine d'atteindre la pompe.
4. En suivant les inscriptions sur l'anneau de fermeture, tourner l'anneau selon le sens antihoraire jusqu'à ce que le repère « START » s'aligne sur les ports.
5. Enlever soigneusement le couvercle avec l'anneau de fermeture.

3.4.1.2 Remplacer le joint torique bleu

1. Tourner le couvercle avec l'anneau de fermeture inversé et le placer sur une surface stable.
2. Placer le joint torique bleu sur la marche à 6 mm (¼ po) du fond du couvercle. Voir la Figure 8.
3. S'assurer que le joint torique est correctement posé. Cela aide à « placer » le joint torique sur la marche plutôt que le « rouler » dessus. Cela l'empêche de tomber.

Remarque Le joint torique bleu se trouve à environ 6 mm (¼ po) de distance du joint. Voir la Figure 8.

4. Installer soigneusement le couvercle, en s'assurant que le joint torique bleu d'essai de pression est bien posé dans le logement sans « coller » ou « rouler ».
5. Suivant les inscriptions sur l'anneau de blocage, aligner les marquages « START » (démarrage) avec les ports, puis tourner selon le sens horaire jusqu'à ce que les marquages « LOCKED » (verrouillés) soient alignés sur les ports. **Ne pas serrer au-delà de l'inscription « LOCKED ».**

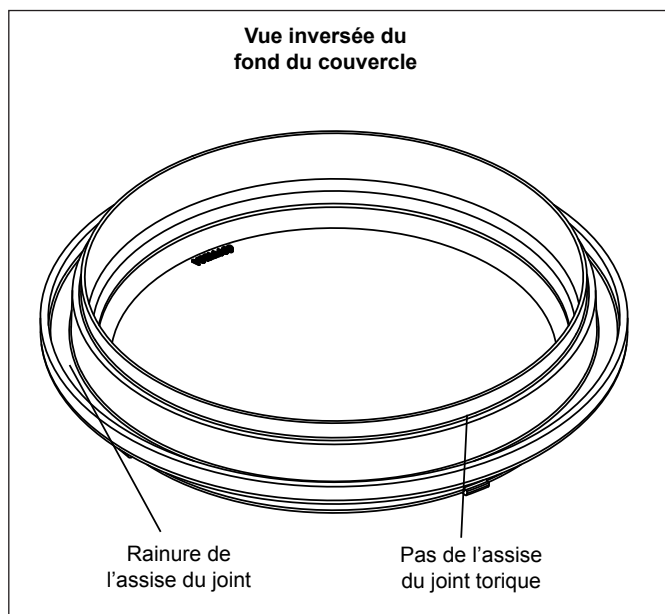


Figure 8. Positionnement du joint torique bleu pour l'essai de pression

3.5 Conduite d'un essai de pression

⚠ AVERTISSEMENT

Lors de l'essai de pression d'un système à l'eau, de l'air est souvent piégé dans le système pendant le processus de remplissage. Cet air se comprime quand le système est sous pression. Si le système s'avère défaillant, cet air piégé peut propulser des débris à haute vitesse et causer des blessures. Aucun effort ne doit être ménagé pour enlever l'air piégé, y compris l'ouverture du robinet de purge du filtre et le desserrage du couvercle du panier-filtre pendant le remplissage de la pompe.

⚠ AVERTISSEMENT

Le piégeage d'air dans le système peut provoquer une ouverture explosive du couvercle du filtre pouvant causer la mort, de graves blessures personnelles ou des dommages matériels. S'assurer que l'air est purgé de façon appropriée du système avant l'utilisation. **NE PAS UTILISER DE L'AIR COMPRIMÉ POUR FAIRE L'ESSAI DE PRESSION OU VÉRIFIER S'IL Y A DES FUITES.**

⚠ AVERTISSEMENT

Ne pas faire d'essai de pression au-delà de 2,4 bar (35 psi). L'essai de pression doit être fait par un professionnel qualifié en piscine. L'équipement de circulation qui n'a pas fait l'objet d'essais de façon appropriée pourra défaillir, ce qui pourrait entraîner des blessures graves ou des dommages matériels.

⚠ AVERTISSEMENT

Au moment de l'essai sous pression d'un système à l'eau, il est très important de s'assurer que le couvercle du panier-filtre de la pompe est complètement fixé.

1. Remplir le système d'eau en faisant attention de bien expulser l'air piégé.
2. Pressuriser le système d'eau à 2,4 bar (35 psi.) au maximum.
3. Fermer le robinet pour piéger l'eau sous pression dans le système.
4. Observer le système pour des fuites ou des chutes de pression.
5. S'il y a des fuites au couvercle, répéter les étapes 1 à 3. Pour le soutien technique, composer le +1 (800) 822-7933.
6. Après la conduite de l'essai, jeter le joint torique bleu pour l'essai de pression.

3.6 Fonctionnement de la charge auxiliaire

Certains modèles de pompes sont équipées d'une barre de raccordement offre à l'utilisateur l'accès au contact de relais de la charge auxiliaire. Cette terminaison sèche et généralement ouverte est activée dans certaines conditions de fonctionnement et est principalement destinée à être utilisée pour commander des appareils externes qui exigent un débit d'eau dans le système avant de pouvoir fonctionner correctement, comme un chauffe-eau, une pompe d'appoint, un chlorateur à base de sel, etc.

Voir les figures 4, 5A et 5B pour connaître l'emplacement du compartiment. Un couvercle d'accès retenu par une vis cruciforme doit d'abord être retiré.

Exigences en matière de raccordement de la charge auxiliaire

⚠ AVERTISSEMENT

DANGER DE CHOC ÉLECTRIQUE

En raison du risque potentiel d'incendie, de choc électrique ou de blessures, les pompes Zodiac® et tous les charges auxiliaires doivent être installées en conformité avec le Code national de l'électricité (NEC®), tous les codes locaux d'électricité et de sécurité et la Loi sur la santé et la sécurité au travail (OSHA). Des copies de la NEC peuvent être commandées auprès de l'Association nationale de protection, 470 Atlantic Ave., Boston, MA 02210, ou auprès de votre organisme local d'inspection gouvernemental.

Au Canada, les pompes Zodiac doivent être installées en conformité avec le Code canadien de l'électricité (CEC).

- Les fiches du circuit auxiliaire ont un courant nominal de 230 V/11 A (moy. quadratique). S'assurer que les exigences de l'appareil relié au circuit auxiliaire **ne dépassent pas ces valeurs.**

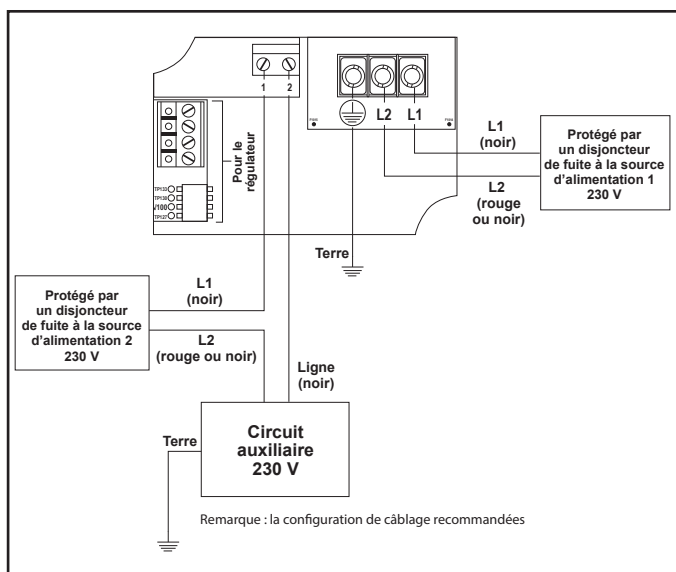


Figure 9. Schéma de câblage des sources d'alimentation distinctes de 230 V, de la charge auxiliaire

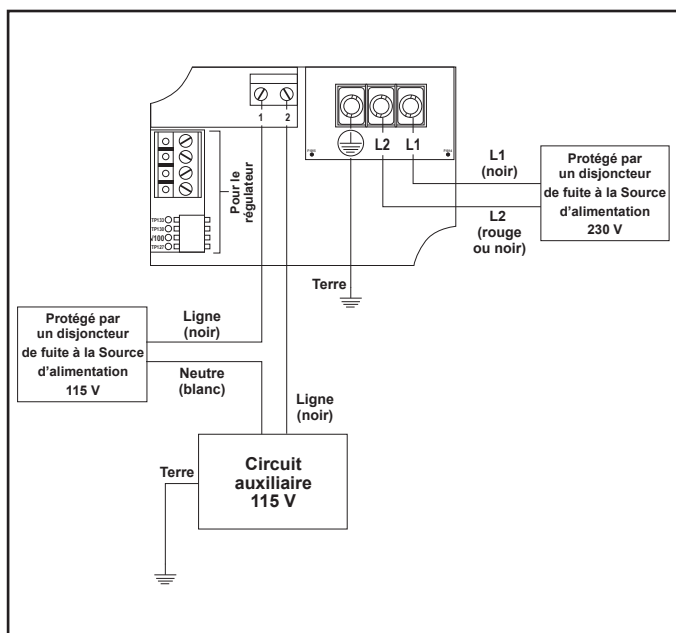


Figure 10. Schéma de câblage des sources d'alimentation partagées de 115 V, de la charge auxiliaire

Caractéristiques de fonctionnement de la charge auxiliaire

L'activation du contact de relais de la charge auxiliaire est en fonction de la vitesse et fonctionne ainsi :

Fermeture du circuit

Depuis un régime arrêté, il existe un délai de trois minutes avant que le contact de la charge auxiliaire soit fermé lorsque la vitesse du moteur atteint et maintient une vitesse d'au moins 1 725 tr/min.

Depuis le régime de moins de 1 725 tr/min, un délai de 5 secondes doit s'écouler avant que le circuit auxiliaire soit fermé une fois que le moteur aura atteint et maintient une vitesse d'au moins 1 725 tr/min.

Ouverture du circuit

Si la pompe a une vitesse inférieure à 1 725 tr/min, le contact de la charge auxiliaire sera fermé. L'ouverture du circuit est toujours immédiate.

Section 4. Fonctionnement

4.1 Démarrage

ATTENTION

Ne jamais faire fonctionner la pompe sans eau. Faire fonctionner la pompe « à sec », quelle que soit la durée, peut causer d'importants dommages à la pompe et au moteur et annuler la garantie.

S'il s'agit d'une nouvelle installation de piscine, s'assurer que toute la tuyauterie est dépourvue de débris de construction et que l'essai de pression a été effectué correctement. L'installation du filtre devrait être vérifiée, en s'assurant que toutes les connexions et les attaches sont sécurisées conformément aux recommandations du fabricant.

⚠ AVERTISSEMENT

Pour éviter tout risque de dommage matériel, de blessure grave ou de mort, vérifier que l'alimentation est hors tension avant de commencer cette procédure.

1. Libérer toute la pression du système et ouvrir le détendeur de pression du filtre.
2. Selon l'emplacement de la pompe, effectuer l'une des procédures suivantes :
 - Si la pompe est située au-dessous du niveau d'eau de la piscine, ouvrir le clapet de décharge du filtre pour amorcer la pompe avec de l'eau.
 - Si la pompe est située au-dessus du niveau de l'eau de la piscine, retirer le couvercle et remplir le panier avec de l'eau avant de démarrer la pompe.
3. Avant de replacer le couvercle, vérifier qu'il n'y a pas de débris autour du joint torique d'étanchéité du couvercle. Les débris autour du joint torique du couvercle causeront une fuite d'air dans le système, et l'amorçage de la pompe se fera difficilement.
4. **Serrer à la main** le couvercle pour une fermeture hermétique. Ne pas utiliser d'outils pour serrer le couvercle : **serrer à la main seulement**. S'assurer que tous les robinets sont ouverts et que les raccords-unions sont étanches.
5. Rétablir l'alimentation vers la pompe. Puis démarrer la pompe en suivant les instructions du manuel approprié : Manuel d'utilisation du régulateur de la ePump, H0311200, AquaLink,® Manuel d'utilisation du régulateur RS, 6593, Manuel d'utilisation du module PDA AquaLink, H0572300, ou Manuel d'utilisation du régulateur AquaLink Z4, H0386600.
6. Une fois que tout l'air aura été purgé du filtre, fermer le clapet de décharge.

7. La pompe devrait s'amorcer. Le temps d'amorçage dépendra de l'élévation et de la longueur des tuyaux utilisés pour le tuyau d'alimentation par aspiration. Voir la *Section 3.1.3.3, Recommandations pour l'installation*, pour l'élévation et les dimensions de la canalisation appropriées.
8. Si la pompe ne s'amorce pas, bien que toutes les instructions aient été suivies, vérifier s'il n'y a pas une fuite d'aspiration. S'il n'y a pas de fuite, répéter les étapes 2 à 7.
9. Pour de l'assistance technique, communiquer avec le service technique Zodiac® au +1 (800) 822-7933.

Section 5. Service et entretien

5.1 Entretien de routine

Inspecter le panier de débris de la pompe en regardant à travers son couvercle transparent. Enlever tous les débris parce qu'au fur et à mesure de leur accumulation, ils commenceront à bloquer l'écoulement de l'eau à travers la pompe. Maintenir le panier propre pour améliorer la fonctionnalité de la pompe.

1. Couper l'alimentation électrique de la pompe. Si la pompe est située en dessous du niveau de l'eau, fermer les clapets d'isolement des côtés aspiration et refoulement de la pompe afin d'empêcher le reflux de l'eau.
2. Tourner l'anneau de fermeture du couvercle selon le sens antihoraire jusqu'à ce que le repère « START » s'aligne sur les ports. Enlever soigneusement le couvercle. (Vous pouvez utiliser un outil comme levier.)

ATTENTION

Un panier-filtre mal aligné empêchera le bon placement du couvercle, permettant une fuite d'air qui pourrait endommager la pompe.

3. Soulever le panier-filtre hors de la pompe.
4. Retirer les débris et nettoyer soigneusement le panier-filtre, en s'assurant que tous les trous sont dégagés. À l'aide d'un tuyau d'arrosage de jardin, asperger le panier-filtre de l'extérieur pour aider au dégagement des trous. Retirer tout débris résiduel à la main.
5. Remettre le panier-filtre en place dans la pompe en alignant l'ouverture avec le tuyau d'aspiration. Si l'alignement est bien fait, le panier-filtre tombera facilement en place. **Ne pas forcer en place.**
6. Retirer le joint du couvercle et les débris autour du siège du joint du couvercle, car cela peut laisser infiltrer l'air dans le système. Nettoyer le couvercle d'étanchéité et le placer sur le couvercle.
7. Replacer le couvercle avec la bague de verrouillage. **Serrer** le couvercle à la main pour une fermeture

hermétique. Ne pas utiliser d'outils pour serrer le couvercle : **serrer à la main seulement.**

8. Vérifier que tous les robinets ont été replacés à la position correcte pour l'utilisation normale.
9. Ouvrir le détendeur de pression sur le filtre et s'assurer qu'il est propre et prêt à fonctionner.
10. Rétablir l'alimentation électrique de la pompe. Dès que tout l'air est expulsé du filtre, fermer le détendeur de pression.

5.2 Hivernage de la pompe

ATTENTION

La pompe **doit** être protégée lorsque des températures glaciales sont prévues. Laisser la pompe geler l'endommagera gravement et annulera la garantie.

ATTENTION

Ne pas utiliser d'antigel dans les systèmes de piscine, de spa ou de jacuzzi! Les antigels sont hautement toxiques et peuvent endommager le système de circulation. La seule exception est le propylène glycol. Pour de l'information supplémentaire, se référer à votre fournisseur local de piscine ou de spa ou communiquer avec une société agréée en services de piscine.

1. Drainer **toute** l'eau de la pompe, de l'équipement du système et de la tuyauterie.
2. Retirer les deux (2) bouchons de vidange. Garder les bouchons de vidange en lieu sûr et les réinstaller quand la saison froide est passée. **Ne pas égarer les joints toriques.**
3. Garder le moteur sec et couvert. Ne pas recouvrir la pompe avec du plastique, parce que cela peut entraîner de la condensation qui l'endommagera.

REMARQUE Zodiac Pool Systems LLC recommande qu'un technicien qualifié ou un électricien déconnecte de façon appropriée le câblage électrique de la boîte de commutation ou de jonction. Dès que l'alimentation est coupée, desserrer les deux (2) raccords-unions et ranger la pompe à l'intérieur. Pour des raisons de sécurité et pour empêcher la pénétration de contaminants, replacer tous les couvercles de boîtes de dérivation et de connexions.

4. Lorsque le système est rouvert pour le fonctionnement, un technicien qualifié ou un électricien doit s'assurer que toutes les canalisations, les robinets, le câblage et l'équipement sont conformes aux recommandations du fabricant. Faire particulièrement attention au filtre et aux connexions électriques.
5. La pompe doit être amorcée avant le démarrage. Se référer à la *section 4.1, Démarrage*.

Section 6. Dépannage et réparation

Pour commander ou acheter des pièces pour les pompes de la séries Jandy Pro veuillez communiquer avec votre concessionnaire Zodiac® le plus près. Si le concessionnaire Zodiac ne peut pas vous fournir ce dont vous avez besoin, prière de communiquer avec le service technique Zodiac au +1 (800) 822-7933 ou envoyer un courriel à productsupport@zodiac.com.

6.1 Dépannage

SYMPTÔME	Cause/Solution possible
Le système de circulation ou de nettoyage ne fonctionne pas bien.	<p>Vérifier que les écumoirs, les paniers-filtres et autres tamis sont propres. Nettoyer au besoin.</p> <p>Vérifier le filtre et nettoyer au besoin.</p> <p>Vérifier les positions des robinets. Ajuster au besoin.</p> <p>REMARQUE De multiples pièces d'équipement fonctionnant en même temps (par exemple, les cascades, les courants de spa, et les retours de surface) affecteront le bon fonctionnement du système de nettoyage.</p> <p>Vérifier le manuel de nettoyage du système pour s'assurer que le système est réglé conformément aux recommandations du fabricant.</p>
Bulles présentes dans le panier de la pompe.	<p>Il y a de l'air dans le système. Vérifier le niveau d'eau de la piscine ou du spa pour s'assurer qu'il est au bon niveau et que l'air n'est pas tiré dans la canalisation d'aspiration. Si l'eau est à un niveau normal, couper la pompe. Tourner la bague de verrouillage dans le sens antihoraire jusqu'à ce que le mot « START » (mise en marche) soit aligné sur les ports. Enlever le couvercle et vérifier qu'il n'y a pas de débris autour du siège d'étanchéité du couvercle ou que l'installation de joint d'étanchéité du couvercle soit adéquate car aucun de ces deux inconvénients causera des fuites d'air dans le système. Nettoyer le couvercle d'étanchéité et le remplacer sur le couvercle. Remplacer le couvercle du boîtier de la pompe. Aligner le repère « START » sur les ports et tourner l'anneau de fermeture selon le sens horaire jusqu'à ce que le repère « LOCKED » s'aligne sur les ports. Serrer le couvercle à la main pour une fermeture hermétique. Ne pas utiliser d'outils pour serrer le couvercle. Redémarrer la pompe.</p>
Les fuites d'air sont encore présentes.	<p>Vérifier le raccord-union du côté de la tuyauterie d'aspiration. Pendant que la pompe fonctionne, essayer de serrer le raccord-union. Si cela n'arrête pas la fuite d'air, couper l'alimentation de la pompe. Desserrer les deux raccords-unions et glisser la pompe hors du chemin. Déposer, nettoyer et inspecter les joints toriques de l'union pour une usure excessive. Remplacer le joint torique s'il est fissuré, cassants ou mal aplati.</p> <p>Repositionner la pompe près de la tuyauterie et fixer solidement les boulons de raccord-union à la pompe.</p>
Il n'y a pas d'air dans le système mais la pression est encore faible.	<p>Il est possible que des débris soient coincés dans la turbine de la pompe. La turbine de la pompe déplace l'eau et les pales de la turbine peuvent être bloquées par les débris. Voir la <i>Section 6.2, Technicien d'entretien et de maintenance, 6.2.1, Turbine bloquée</i>, dans le manuel pour de l'information supplémentaire.</p>
Il n'y a pas de débris bloquant la turbine et la pression est toujours faible.	<p>La turbine de la pompe et le diffuseur présentent des signes d'usure normale. Faire vérifier et remplacer au besoin la turbine et le diffuseur par un technicien d'entretien agréé.</p> <p>Si la pompe fait partie d'une installation relativement nouvelle, cela pourrait être un problème électrique. Communiquer avec un technicien d'entretien agréé. Faire vérifier par un technicien que des connexions électriques ne soient pas lâches et vérifier la tension du moteur de la pompe en fonctionnement. La tension doit être celle indiquée sur la plaque de données du moteur, à 10 % près. Si la tension n'est pas à 10 % près, communiquer avec un électricien agréé ou le fournisseur local en électricité.</p> <p>Le joint d'étanchéité de la pompe a une fuite d'air. Faire remplacer le joint d'étanchéité par un technicien d'entretien agréé.</p>

SYMPTÔME	Cause/Solution possible
La pompe a une fuite d'eau entre le moteur et le corps de la pompe.	Elle est causée par un joint mécanique endommagé ou défaillant. Remplacer le joint. Voir la <i>Section 6.2, Maintenance du technicien de service, 6.2.3, Remplacement du joint mécanique</i> , dans ce manuel.
La pompe s'échauffe et coupe périodiquement.	S'assurer qu'il y a suffisamment de place autour du moteur pour faire circuler l'air et garder le moteur froid. Faire vérifier par un technicien agréé que des connexions ne soient pas lâches et vérifier la tension du moteur de la pompe en fonctionnement. La tension doit être celle indiquée sur la plaque de données du moteur, à 10 % près. Si la tension n'est pas à 10 % près, communiquer avec un électricien agréé ou le fournisseur local en électricité.
La pompe ne démarrera pas.	Aucun courant à la pompe. S'assurer que la pompe est correctement reliée à la tension. Voir la <i>Section 3.2, Installation électrique</i> , dans ce manuel.
	Câblage de base tension erroné. Vérifier le câblage de basse tension entre la pompe et le régulateur. Effectuer les corrections si nécessaire. Voir la <i>Section 3.2, Installation électrique</i> , dans ce manuel.
	La configuration d'adresse de la pompe est inexacte. S'assurer que les commutateurs DIP 3 et 4 d'ePump sont correctement placés pour l'installation. Les deux devraient être à la position OFF pour une utilisation avec le régulateur de la ePump ou réglés la bonne adresse lorsqu'ils sont raccordés à un régulateur RS AquaLink® à un module PDA AquaLink, ou à un régulateur AquaLink Z4. Voir la <i>Section 3.3, Configuration du commutateur DIP ePump</i> , dans ce manuel.
	La condition de panne existe. Regarder le message de défaut sur le régulateur et corriger le défaut avant de continuer. Au moment d'incertitudes par rapport à la procédure de correction de la panne, prière de communiquer avec le soutien technique en composant le +1 (800) 822-7933.
La DEL du régulateur de la ePump ne donne aucun renseignement ou Les DEL de la ePump ne sont pas allumées (modèle muni d'un moteur Zodiac seulement).	Configuration incorrecte du commutateur DIP. S'assurer que les deux commutateurs DIP 1 et 2 de la ePump sont allumés. Voir la <i>Section 3.3, Configuration du commutateur DIP ePump</i> , dans ce manuel.
	Câblage de base tension erroné. Vérifier le câblage de basse tension entre la pompe et le régulateur. Effectuer les corrections si nécessaire. Voir la <i>Section 3.2, Installation électrique</i> , dans ce manuel.
Le régulateur affiche « POMPE NON CONNECT. ».	Câblage de base tension erroné. Vérifier le câblage de basse tension entre la pompe et le régulateur. Effectuer les corrections si nécessaire. Voir la <i>Section 3.2, Installation électrique</i> , dans ce manuel.
	La configuration d'adresse de la pompe est inexacte. S'assurer que les commutateurs DIP 3 et 4 de la ePump sont correctement placés pour l'installation. Les deux devraient être à la position OFF pour une utilisation avec le régulateur de la ePump ou réglés à la bonne adresse lorsqu'ils sont raccordés à un régulateur RS AquaLink® ou à un module PDA AquaLink. Voir la <i>Section 3.3, Configuration du commutateur DIP ePump</i> , dans ce manuel.
Le message de défaut apparaît sur l'affichage du régulateur.	La condition de panne existe. Regarder le message de défaut sur le régulateur et corriger le défaut avant de continuer. Au moment d'incertitudes par rapport à la procédure de correction de la panne, prière de communiquer avec le soutien technique en composant le +1 (800) 822-7933.

6.2 Entretien par un technicien de service

⚠ AVERTISSEMENT

Cette pompe doit être réparée par un technicien professionnel qualifié dans l'installation de piscine/spa. Les procédures suivantes doivent être scrupuleusement suivies. Une installation ou utilisation incorrecte peut causer de dangereux risques électriques pouvant provoquer le passage de courants de haute tension dans le système électrique. Cela peut causer des dommages matériels, des blessures graves ou la mort. Une installation ou une utilisation incorrecte annulera la garantie.

6.2.1 Turbine bloquée

⚠ AVERTISSEMENT

Avant de réaliser l'entretien de la pompe, couper les disjoncteurs au niveau de l'alimentation. Une blessure grave ou la mort peut survenir si la pompe démarre pendant que les mains se trouvent à l'intérieur.

1. Couper la pompe. Fermer le disjoncteur du moteur de la pompe.
2. Retirer le couvercle et le panier-filtre.
3. Regarder à l'intérieur de la pompe pour la présence de débris. Enlever tous les débris trouvés à l'intérieur.
4. Replacer le panier-filtre et le couvercle.
5. Ouvrir le disjoncteur du moteur de la pompe.
6. Démarrer la pompe et observer si le problème est résolu.
7. Si la turbine est encore bloquée par les débris et qu'il ne soit pas possible de les enlever en procédant de l'étape 2 à l'étape 4, la pompe devra être démontée pour accéder aux orifices d'entrée et de sortie de la turbine.

6.2.2 Retrait et remplacement de la turbine

⚠ AVERTISSEMENT

Avant de réaliser l'entretien de la pompe, couper les disjoncteurs au niveau de l'alimentation. Une blessure grave ou la mort peut survenir si la pompe démarre pendant que les mains se trouvent à l'intérieur.

1. Couper la pompe. Fermer le disjoncteur du moteur de la pompe. Si le moteur n'est pas remplacé, ne pas déconnecter le câblage électrique.

REMARQUE S'il s'agit d'un remplacement du moteur, Zodiac Pool Systems LLC recommande fortement qu'un technicien de service ou un électricien agréé déconnecte correctement le câblage électrique du moteur de la pompe.

2. Fermer tous les robinets pour empêcher l'eau de piscine d'atteindre la pompe. Drainer l'eau de la pompe en desserrant les raccords-unions ou en retirant les bouchons de vidange.

3. À l'aide d'une clé de 14 mm (9/16 po), desserrer les boulons connectant le corps de la pompe à la plaque arrière du moteur. Voir le figure 11.

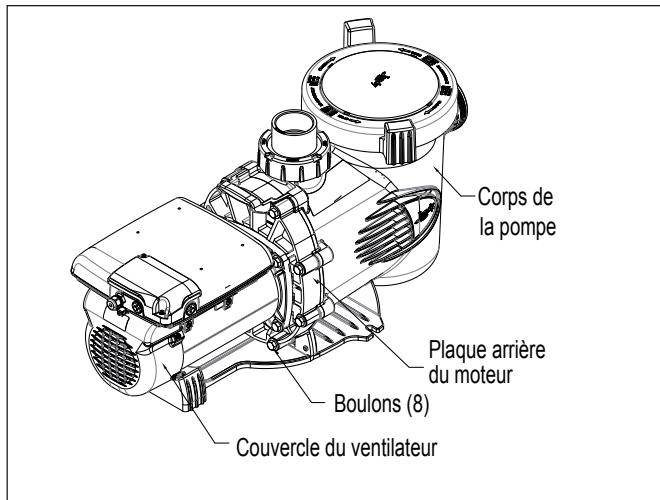


Figure 11. Retirer le corps de la pompe, Regal Beloit

4. Tirer le moteur et la plaque arrière hors du corps de la pompe. Retirer le joint torique du corps de la pompe. La turbine est connectée à l'axe du moteur.
5. À l'aide d'un tournevis à pointe cruciforme N° 1, ôter les deux (2) vis supportant le diffuseur. (Le diffuseur est le couvercle sur la turbine.) Puis enlever le diffuseur. Voir le figure 12.
6. Accéder à l'admission et à la sortie de la turbine et enlever les débris.
7. Retirer le couvercle du ventilateur à l'arrière du moteur en retirant les vis. Voir le figure 13. L'arbre du moteur et le ventilateur seront exposés.
8. Tenir l'arbre du moteur exposé avec un tournevis à tête plate de 12,7 mm (½ po) en retirant la vis centrale de la turbine. Utiliser un tournevis à tête cruciforme N° 3 et tourner la vis filetée à gauche selon le sens horaire pour la détacher. Voir le figure 13.

REMARQUE Ne pas tenir le ventilateur pour retirer la vis de la turbine.

9. Tenir l'arbre du moteur avec un tournevis à tête plate de 12,7 mm (½ po) en dévissant la turbine de l'arbre du moteur avec la main. Tourner la turbine selon le sens antihoraire pour desserrer.
10. Inspecter la turbine et le diffuseur pour la présence de frottement ou de dommage. Se référer à la Figure 14.

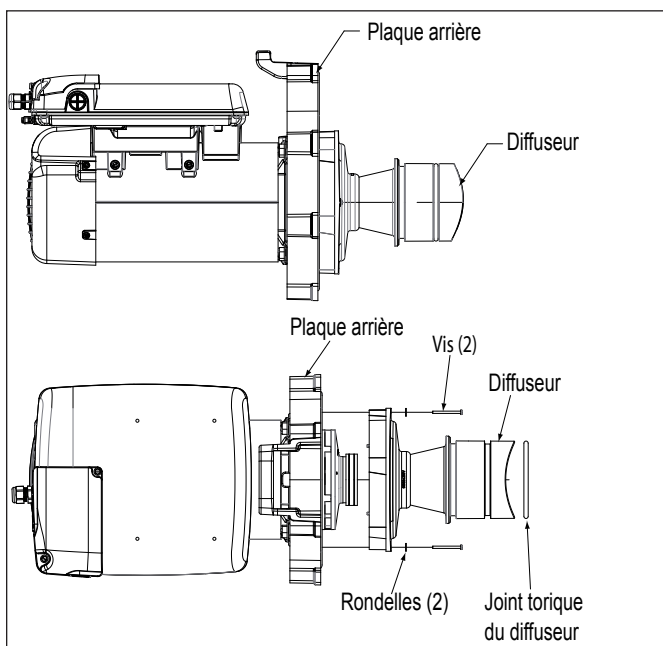


Figure 12. Retirer le diffuseur, moteur Regal Beloit

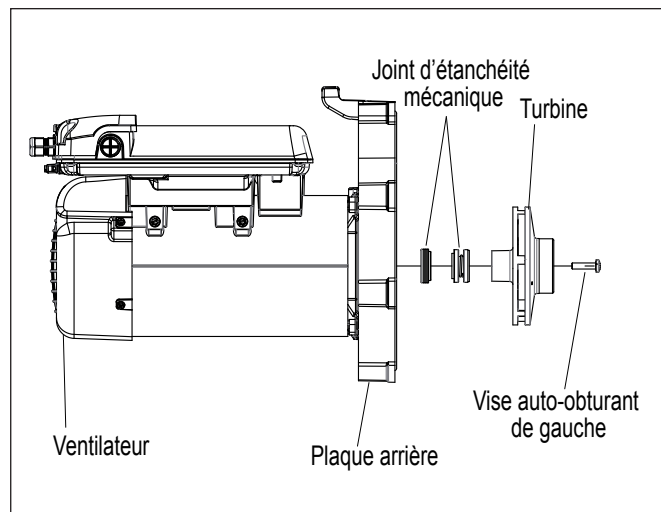


Figure 13. Retirer la turbine, moteur Regal Beloit

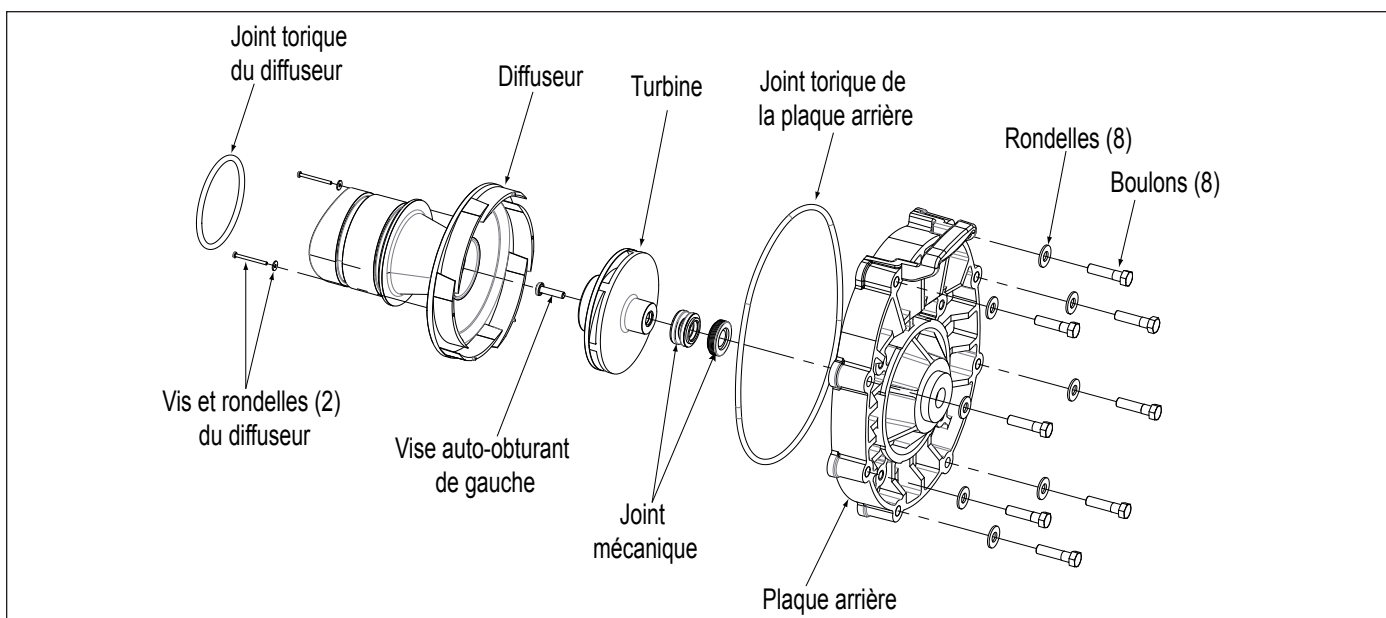


Figure 14. Vue éclatée du diffuseur et de la turbine

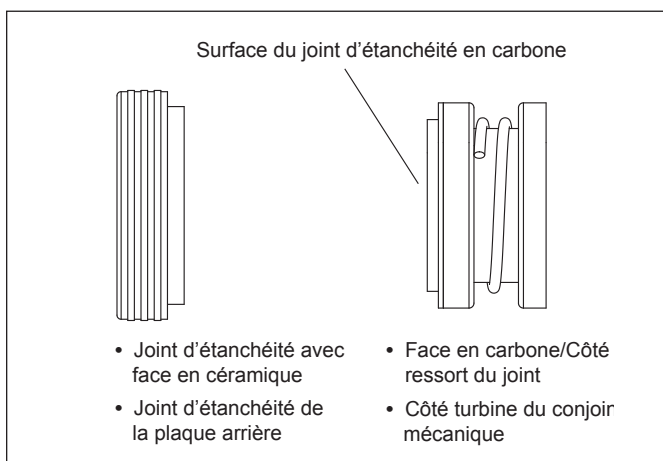


Figure 15. Joint d'étanchéité mécanique

6.2.2.1 Remontage de la turbine

1. Appuyer sur la moitié du joint côté carbone (voir la Figure 15) sur l'arbre du moteur dans un mouvement de rotation. S'assurer que la surface de carbone est exposée face à l'anneau en céramique dans la plaque arrière.

ATTENTION

Très important! Pour éviter les dommages au joint, tenir la base inférieure du joint (opposée à la face en carbone) en l'installant.

REMARQUE Pour faciliter le montage, utiliser *seulement* de l'eau ou de l'eau savonneuse comme lubrifiant. Tout autre lubrifiant détruira le joint après un certain temps.

REMARQUE S'assurer de garder le joint et les pièces d'accouplement propres.

2. Tout en tenant l'arbre du moteur avec un tournevis à tête plate de 12,7 mm (1/2 po), visser la turbine sur l'arbre du moteur. Serrer la turbine à la main jusqu'à ce qu'elle soit solidement fixée. Installer la vis centrale de la turbine au centre de la turbine. Tourner la vis filetée à gauche selon le sens antihoraire et la serrer à l'aide d'un tournevis à tête cruciforme N° 3. **Ne pas trop serrer.**
3. Remettre le couvercle du ventilateur avec les vis.
4. Remettre le couvercle de l'arbre du moteur en insérant les onglets du couvercle dans les fentes et en tournant dans le sens horaire le couvercle de 90 degrés.°
5. Remettre le diffuseur sur la turbine, en prenant soin d'insérer les broches d'alignement dans les trous appropriés. La flèche rapportée au moulage doit pointer vers la poignée de la plaque arrière.
6. Remettre les deux (2) petites vis à tête cruciforme. Serrer les vis pour appuyer le diffuseur contre la plaque arrière du moteur.
7. Pour aider à prévenir les fuites d'air dans le circuit, s'assurer que le joint torique du diffuseur, la rainure du joint torique et le joint torique sont propres et exempts de débris. Si on a enlevé le diffuseur du joint torique, s'assurer de l'installer sur la gorge d'où il a été enlevé. (Voir la Figure 16.) Si de la graisse est utilisée pour retenir le joint torique, **elle** doit être à base de silicone. **Ne pas employer de graisse à base de pétrole.** Cela détruira le joint torique.

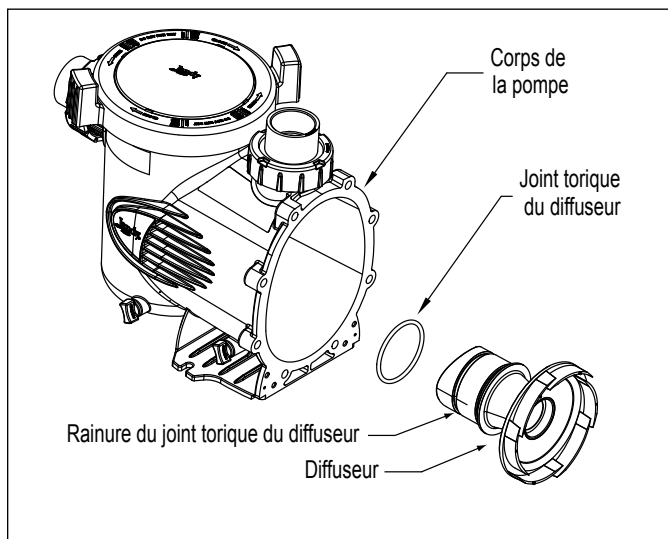


Figure 16. Vue éclatée du corps de la pompe et du diffuseur

8. Faire glisser le diffuseur dans le trou d'accouplement, dans le corps de pompe. Tout en soutenant le moteur, fixer deux (2) vis de part et d'autre. (Cela tiendra le moteur en position pendant que vous démarrez les six autres (6) vis.)

9. Serrer les vis légèrement dans un mouvement « X » en utilisant une clé à molette de 14,28 mm (9/16 po). Commencez par les quatre (4) intérieures (au centre), puis les quatre (4) extérieures (haut et bas) pour tirer la plaque arrière sur le corps d'une manière uniforme. Dès que toutes les vis sont ajustées, serrer selon le même ordre avec un couple de 24 N·m.
10. Si la pompe est située au-dessus du niveau de l'eau de la piscine, retirer le couvercle et remplir le panier avec de l'eau avant de démarrer la pompe.
11. Pour aider à prévenir les fuites d'air dans le circuit, enlever les débris autour du siège du joint du couvercle.
12. **Serrer à la main** le couvercle pour assurer l'étanchéité du joint. **Ne pas utiliser d'outils pour serrer le couvercle.**
13. Ouvrir le clapet de décharge sur le filtre et s'assurer qu'il est propre et prêt à fonctionner.
14. Armer le disjoncteur vers le moteur de pompe.
15. Démarrer la pompe et vérifier que le circuit fonctionne normalement.
16. Une fois que tout l'air aura été purgé du filtre, fermer le clapet de décharge.

6.2.3 Remplacement du joint d'étanchéité mécanique

REMARQUE C'est un processus de remplacement en deux étapes. **Le joint d'étanchéité mécanique au complet doit être remplacé.**

REMARQUE Se référer à la Figure 17 pour une illustration de l'emplacement du joint d'étanchéité mécanique et de la turbine.

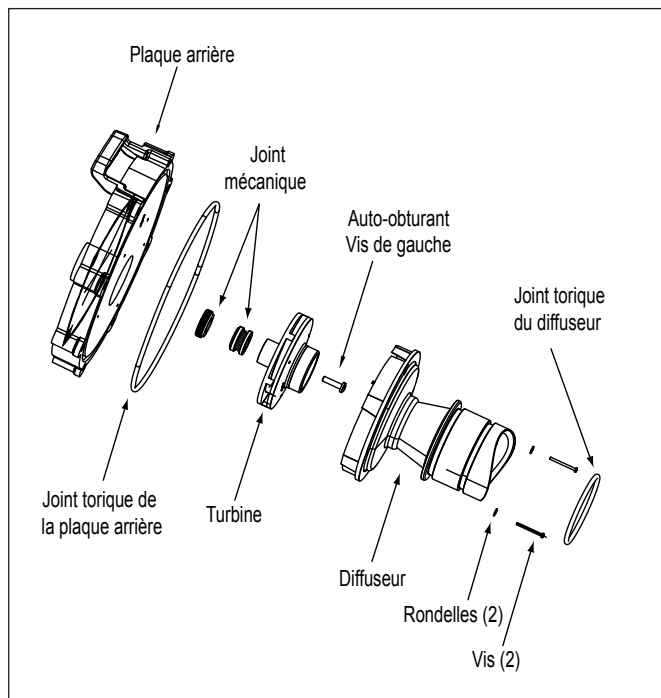


Figure 17. Vue éclatée de la plaque arrière, de la turbine, du diffuseur, du joint mécanique

ATTENTION

Ne pas endommager les surfaces en céramique ou en carbone des joints d'étanchéité. Si les surfaces sont endommagées, des fuites se produiront.

1. Pour avoir accès au joint d'étanchéité mécanique, suivre les Étapes 1 à 9 de la *Section 6.2.2, Retrait et remplacement de la turbine*.
2. Retirer la moitié du joint face en carbone de l'arbre du moteur (voir la Figure 15). Il s'agit d'un joint à ressort. Saisir la partie du joint le plus près du corps de la turbine et tirer sur le joint, dans un mouvement de torsion.
3. Retirer le moteur de la plaque arrière, en suivant les étapes de la *Section 6.2.5, Remplacement du moteur*.
4. Placer le joint torique de la plaque arrière avec la face vers le sol et retirer avec force le joint d'étanchéité en céramique à l'aide d'un tournevis ou d'un chasse-cône.
5. Tourner le joint torique de la plaque arrière vers le haut et insérer le nouveau joint d'étanchéité en céramique dans la plaque. Aligner soigneusement le joint en l'enfonçant avec les doigts. La céramique s'endommage facilement et doit donc être enfoncée uniquement avec les doigts ou des outils mous. Ne pas utiliser de lubrifiant autre que l'eau ou de l'eau savonneuse.
6. Installer la plaque arrière en suivant les étapes pertinentes décrites à la *Section 6.2.2.1, Remontage de la turbine*.
7. Poser le moteur en suivant les étapes de la *Section 6.2.4, Remplacement du moteur*.

6.2.4 Remplacement du moteur**⚠ AVERTISSEMENT**

Pour garantir une sécurité continue et un fonctionnement fiable, Zodiac Pool Systems, Inc. exige que le moteur soit remplacé par un autre de puissance nominale HP et de facteur de service identiques (approuvé seulement par Zodiac Pool Systems, Inc.).

1. Faire convenablement déconnecter votre câblage électrique au moteur de la pompe par un technicien de service ou un électricien agréé.

⚠ AVERTISSEMENT**DANGER DE CHOC ÉLECTRIQUE**

Désactiver tous les interrupteurs et le disjoncteur principal dans le circuit électrique de l'ePump avant de commencer la procédure. Attendre cinq (5) minutes après que le courant est coupé avant d'ouvrir le moteur. Sur le modèle muni d'un moteur Jandy Pro seulement, ne pas continuer jusqu'à ce que la DEL sur le dessus du bloc électronique d'entraînement soit éteinte. L'omission d'être conforme peut provoquer un risque de choc, qui peut entraîner des blessures corporelles, voire la mort.

REMARQUE Zodiac Pool Systems LLC recommande que les joints mécaniques soient remplacés en même temps que le moteur remplacé. Voir la *Section 6.2.3, Remplacement mécanique du joint mécanique*, pour plus de détails.

2. Pour détacher le corps de la pompe du moteur, suivre les Étapes 1 à 10 de la *Section 6.2.2, Retrait et remplacement de la turbine*.
3. Prendre note de l'alignement de la plaque arrière du moteur, tel qu'il est indiqué au figure 18. Placer le joint torique de l'assemblage de la plaque arrière du moteur avec la face vers le sol, desserrer les quatre vis 14 mm (9/16 po) et retirer le moteur.

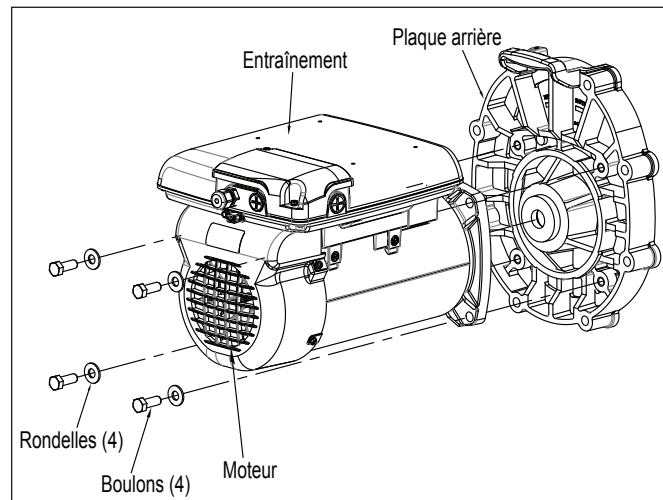


Figure 18. Ensemble plaque arrière, moteur Regal Beloit

4. S'il s'agit de l'installation d'un nouveau moteur, enlever le capuchon protecteur en plastique de l'axe du moteur. Placer le moteur sur la plaque arrière afin que l'ouverture du moteur soit face à la base de la plaque arrière. Le régulateur électronique du moteur devrait être à la position de 12 heures.
5. Remettre les quatre (4) boulons et rondelles en tenant en place la plaque arrière et le moteur.
6. Pour reposer l'ensemble plaque arrière sur le corps, suivre les Étapes 2 à 9 de la *Section 6.2.2.1, Repose de la turbine*.
7. Si la pompe est située au-dessus du niveau de l'eau de la piscine, retirer le couvercle et remplir le panier avec de l'eau avant de démarrer la pompe.
8. Pour aider à prévenir une fuite d'air dans le système, enlever tous les débris autour du siège du joint du couvercle.
9. **Serrer à la main** le couvercle pour qu'il y ait étanchéité. **Ne pas utiliser d'outils pour serrer le couvercle.**
10. Ouvrir le clapet de décharge sur le filtre et s'assurer qu'elle est propre et prêt à fonctionner.
11. Demander à un technicien ou à un électricien qualifié de raccorder de façon appropriée les fils électriques au moteur de la pompe.

12. Ouvrir l'alimentation du moteur de la pompe à l'aide du régulateur et vérifier que le système fonctionne normalement.

REMARQUE Pour les instructions sur le fonctionnement du régulateur, se référer au manuel approprié du régulateur : Manuel d'utilisation du régulateur de la ePump, H0311200, Manuel d'utilisation du RS AquaLink®, 6593, Manuel d'utilisation du module PDA AquaLink, H0572300, ou Manuel d'utilisation du AquaLink Z4, H0386600.

13. Une fois que tout l'air aura été purgé du filtre, fermer le clapet de décharge.

Section 7. Caractéristiques du produit et données techniques

7.1 Liste et vue éclatée des pièces de rechange

Pour commander ou acheter des pièces pour les pompes de Jandy Pro, veuillez communiquer avec votre concessionnaire Zodiac® le plus près. Vous pouvez également communiquer avec le support technique de Zodiac au +1 (800) 822-7933. Se référer à la Figure 16 pour le modèle de la série Jandy Pro ePump.

Touche n°	DESCRIPTION	Numéro de modèle	Numéro de pièce
1	Moteur à vitesse variable, moteur Regal Beloit	VSSHP270	R0562200
1	Moteur à vitesse variable, moteur Regal Beloit	VSSHP220	R0562201
2	Plaque arrière, pompes SHP, PHP/MHP	Tout	R0445200
3	Turbine, ensemble de remplacement	VSSHP270	R0807200
3	Turbine, ensemble de remplacement	VSSHP220	R0807201
4	Diffuseur avec joint torique et matériel	Tout	R0445400
5	Joint mécanique (carbone et céramique)	Tout	R0479400
6	Corps, Pompe	Tout	R0445601
7	Ensemble pied de fixation de moteur, SHP	Tout	R0445700
8	Anneau de fermeture (avec couvercle et joint torique)	Tout	R0445800
9	Panier de filtre	Tout	R0445900
10	Prise, Canalisation (ensemble de deux)	Tout	R0446000
11	Pièce d'arrière de 50 mm x 63 mm po (2 po par 2½po), avec écrou d'accouplement et joint torique (ensemble de deux)	Tout	R0446101
12	Joint, Couvercle	Tout	R0446200
13	Joint torique d'essai de pression bleue	Tout	R0479000
14	Joint torique, plaque arrière	Tout	R0446300
15	Joint torique, pièce arrière (ensemble de deux)	Tout	R0446400
16	Ensemble matériel du diffuseur et de la turbine	Tout	R0446500
17	Matériel de la plaque arrière avec ensemble huit boulons et rondelles	Tout	R0446600
18	Matériel du moteur avec ensemble quatre boulons et rondelles	Tout	R0446700
19	Vis, pied de fixation du moteur (ensemble de deux)	Tout	R0446800
20	Couvercle, Variateur de vitesse (avec matériel), ePump, Moteur Regal Beloit	Moteur Regal Beloit	R0562300
21	Couvercle, Ventilateur, 1-3 HP, Trousse de remplacement de la ePump, Moteur Regal Beloit	Moteur Regal Beloit	R0562400
22	Matériel du variateur de vitesse, ePump, Moteur Regal Beloit	Moteur Regal Beloit	R0562500
23	Connecteur, Variateur de vitesse, ePump (connecteur 4 broches) (non illustré)	Tout	R0660900
24	Raccord de cloison du câble de données	Tout	R0501100
25	Vis, Coffret électrique (ensemble de 2)	Moteur Regal Beloit	R0562600
26	Vis avec joint torique, auto-obturant	Tout	R0515400
27	Câble, RS485, ensemble de remplacement	Tout	R0535100

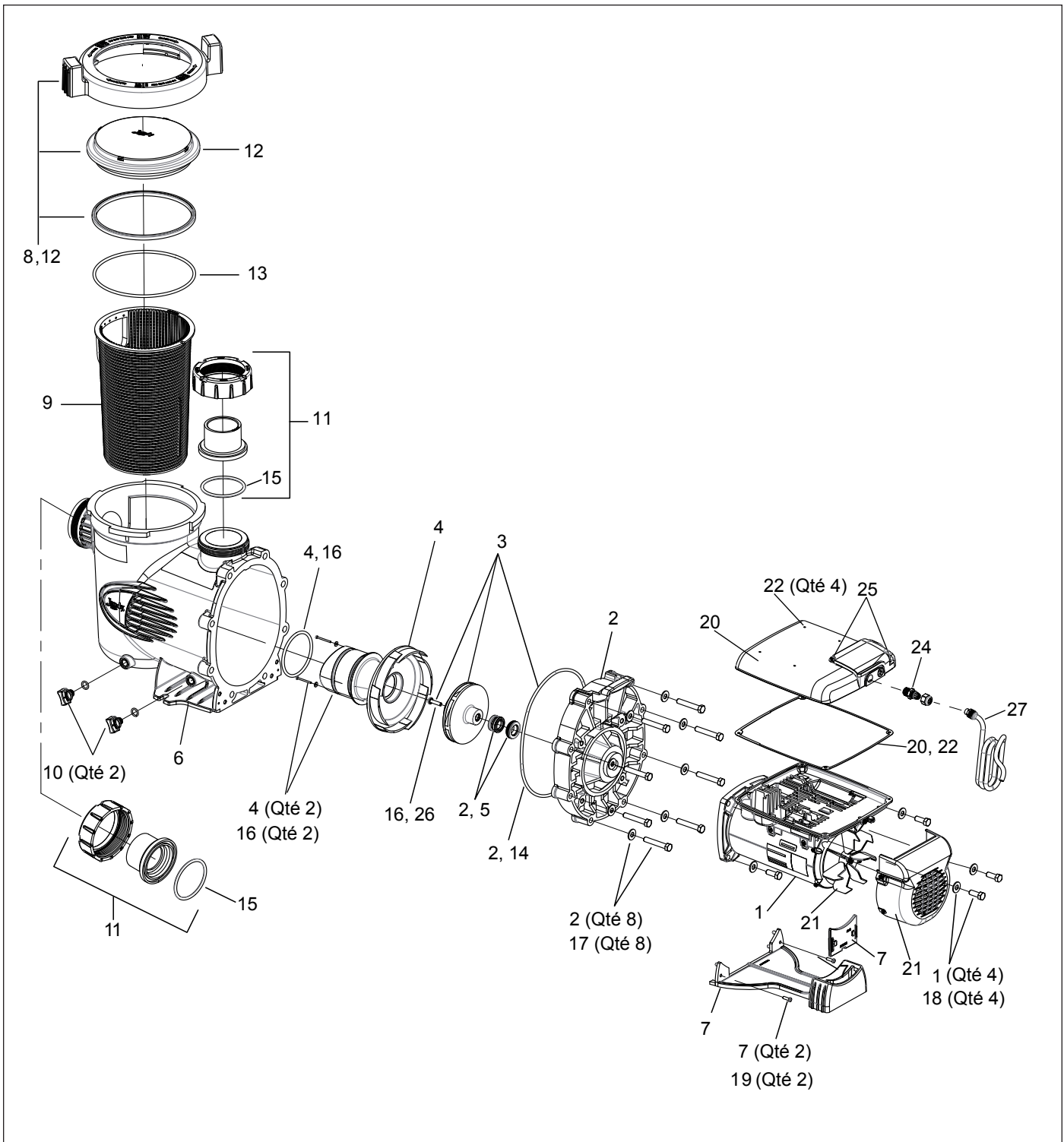
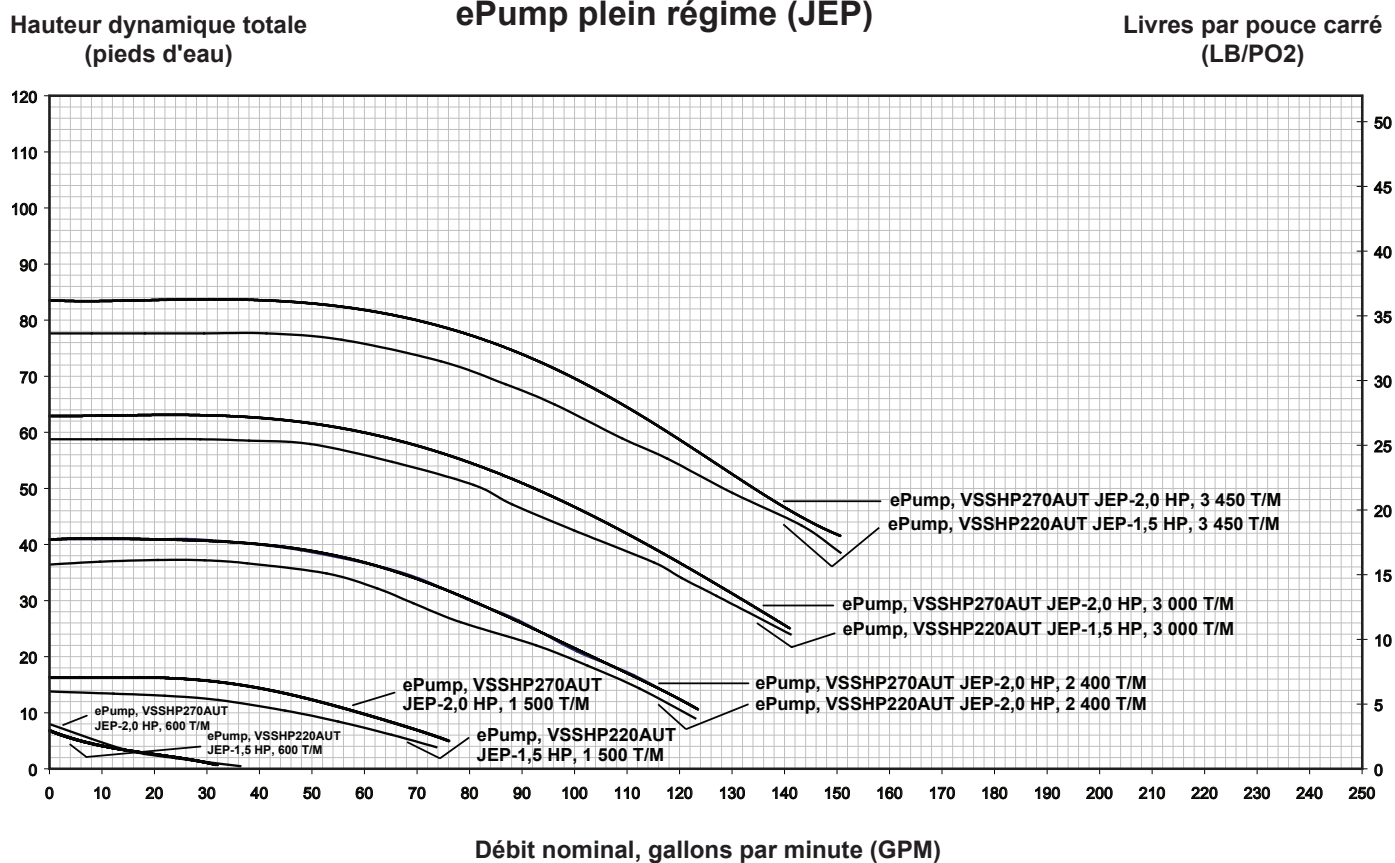


Figure 19. Vue éclatée de la ePump, Moteur Regal Beloit

7.2 Courbes de performance

Pompe haute pression de la série ePump plein régime (JEP)

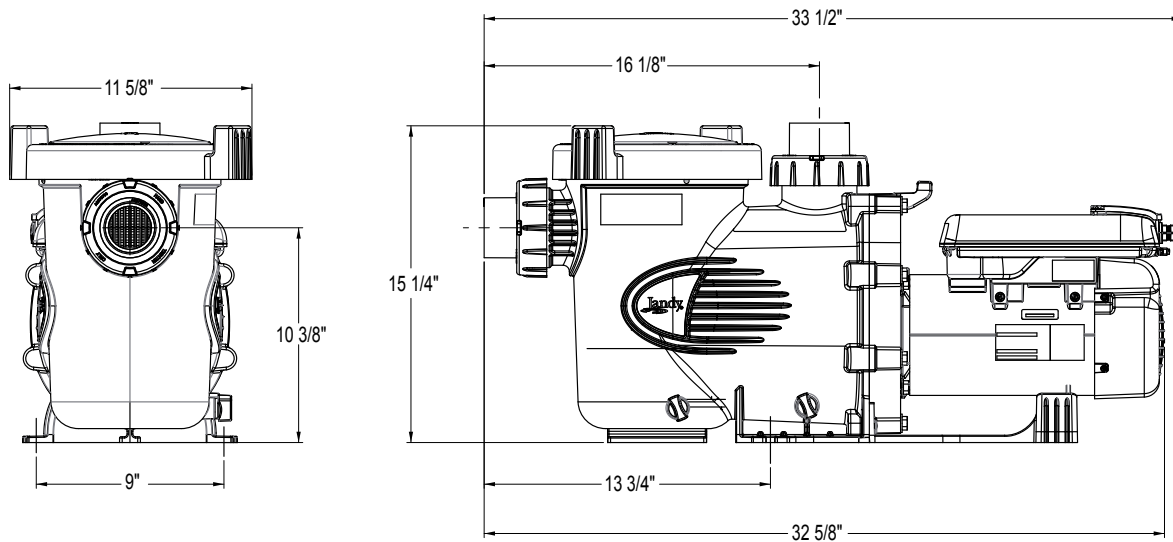


7.3 Caractéristiques physiques et fonctionnelles

7.3.1 Spécifications

Numéro de modèle	HP	TENSION	Watts	Dimensions de la canalisation	Poids du carton	Longueur hors tout
VSSH270AUT JEP2.0, Moteur Regal Beloit	0,25 à 2,7	230 VCA	2400 W	2 ½ à 3 po	27 kg (59,3 lb)	85.1 cm (33½")
VSSH220AUT JEP1.5, Moteur Regal Beloit	0,25 à 2,2	230 VCA	2070 W	2 ½ à 3 po	27 kg (59,3 lb)	85.1 cm (33½")

7.3.2 Dimensions



REMARQUE Au moment de l'installation d'une pompe, laisser un minimum de 0,60 m (2 pieds) de dégagement au-dessus de la pompe pour le retrait du panier-filtre.

7.4 Guide de remplacement du moteur

Modèle de pompe	Regal Beloit
VSSH270AUT zJEP2.0, Moteur Regal Beloit	M48AA66D58
VSSH220AUT JEP1.5, Moteur Regal Beloit	M48AA81D58

Zodiac Pool Systems Canada, Inc.
 2-3365 Mainway, Burlington, Ontario L7M 1A6
 + 1 (888) 647-4004 | www.ZodiacPoolSystems.ca

Zodiac Pool Systems LLC
 2620 Commerce Way, Vista (CA) 92081
 1.800.822.7933 | www.ZodiacPoolSystems.com

©2017 Zodiac Pool Systems LLC. ZODIAC® est une marque de commerce déposée de Zodiac International, S.A.S.U., utilisée sous licence. Toutes les marques déposées susmentionnées dans le présent document sont la propriété de leurs propriétaires respectifs.

H0365700 Rév E

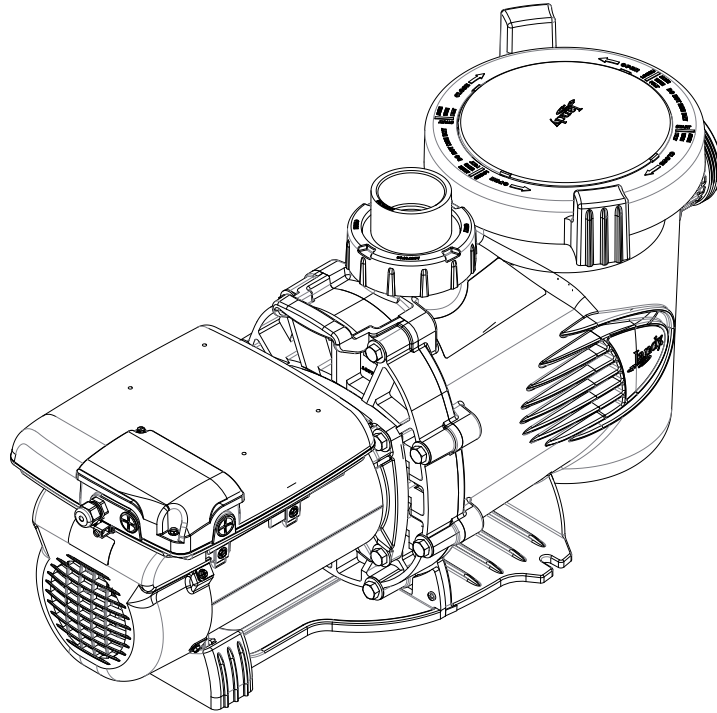


ETL LISTED
 CONFORMS TO
 UL STD 1081
 CERTIFIED TO
 CSA STD C22.2
 NO. 108



Certified to
 NSF (ANSI) Standard 50

Serie ePump™



ADVERTENCIA

PARA SU SEGURIDAD – Este producto debe ser instalado y mantenido por un contratista con licencia y calificaciones para equipos para piscinas otorgadas por la jurisdicción donde se instalará el producto en caso de que existan tales requisitos estatales o locales. La persona que realiza la instalación o el mantenimiento debe ser un profesional con experiencia suficiente en la instalación y el mantenimiento de equipos para piscinas de tal manera que pueda seguir correctamente todas las instrucciones de este manual. Antes de instalar este producto, lea y siga todas las instrucciones y preste atención a las advertencias en el manual adjunto. No prestar la debida atención a las advertencias e instrucciones puede ocasionar daños a la propiedad, lesiones personales e incluso la muerte. La instalación y operación incorrectas será causa de anulación de la garantía. La instalación y operación incorrectas pueden crear un riesgo eléctrico imprevisto que puede ocasionar lesiones graves, daños a la propiedad e incluso la muerte.



ATENCIÓN INSTALADOR – Este manual contiene información importante acerca de la instalación, operación y utilización segura de este producto. Esta información debe ser entregada al dueño u operador de este equipo.

Índice

Sección 1. INSTRUCCIONES DE SEGURIDAD IMPORTANTES.....	57	Sección 5. Servicio y mantenimiento	69
1.1 Instrucciones de Seguridad	57	5.1 Mantenimiento de rutina	69
1.2 Indicaciones para evitar el atrapamiento por la Bomba de succión de la piscina.....	59	5.2 Preparación para el invierno.....	70
Sección 2. Descripción General	60	Sección 6. Diagnóstico, localización de averías y reparación.....	71
2.1 Introducción	60	6.1 Diagnóstico y solución de problemas ...	71
2.2 Descripción.....	60	6.2 Servicio técnico de mantenimiento.....	73
Sección 3. Información de instalación	60	Sección 7. Especificaciones del producto y datos técnicos	78
3.1 Hidráulica.....	60	7.1 Lista de piezas de repuesto y plano de despiece	78
3.2 Instalación eléctrica	62	7.2 Curvas de rendimiento	80
3.3 Configuración de los interruptores DIP de la ePump	65	7.3 Especificaciones físicas y operacionales	80
3.4 Prueba de presión	65	7.4 Guía de Reemplazo del motor.....	81
3.5 Realizar la prueba de presión.....	67		
3.6 Operación de carga auxiliar.....	67		
Sección 4. Operación	68		
4.1 Puesta en marcha	68		

REGISTRO DE INFORMACIÓN DEL EQUIPO

FECHA DE INSTALACIÓN _____

INFORMACIÓN DEL INSTALADOR _____

LECTURA INICIAL DEL MEDIDOR DE PRESIÓN (CON EL FILTRO LIMPIO) _____

MODELO DE BOMBA _____

CABALLOS DE FUERZA _____

NOTAS: _____

Sección 1. INSTRUCCIONES DE SEGURIDAD IMPORTANTES

LEA Y SIGA ESTAS INSTRUCCIONES

1.1 Instrucciones de Seguridad

Todo el trabajo de electricidad deberá realizarlo un electricista certificado de conformidad con todos los códigos nacionales, estatales y regionales. Cuando se instale y utilice este equipo eléctrico, siempre se deberán seguir las siguientes precauciones básicas de seguridad:

ADVERTENCIA

RIESGO DE PELIGRO DE ATRAPAMIENTO POR SUCCIÓN, QUE, SI NO SE EVITA, PUEDE RESULTAR EN LESIONES GRAVES O LA MUERTE. No bloquee la succión de la bomba, ya que esto puede causar lesiones graves o la muerte. No use esta bomba en piscinas para niños, piscinas de poca profundidad, o spas con drenajes en el fondo, a menos que la bomba esté conectada a por lo menos dos (2) puntos de succión funcionales. Las tapas de desagüe deben estar certificadas a la última edición publicada de la norma ANSI / ASME A112.19.8 o su norma sucesora, ANSI/APSP-16.

ADVERTENCIA

Para reducir el riesgo de lesión, no permita que los niños usen este artefacto.

ADVERTENCIA

Para reducir el riesgo de daños materiales o lesiones, no intente cambiar la posición de la válvula de retro lavado (multipuerto, deslizamiento o flujo completo) con la bomba en funcionamiento.

ADVERTENCIA

Las bombas serie Jandy Pro son accionadas por un motor eléctrico de alta tensión y deben ser instaladas por un electricista con licencia (o certificado) o por un técnico calificado de servicio de piscinas.

ADVERTENCIA

Debido al riesgo potencial de incendio, choque eléctrico o lesiones a las personas, las bombas serie Jandy Pro se deben instalar de acuerdo con el Código Eléctrico Nacional (NEC®), todos los códigos locales eléctricos y de seguridad, y la Ley de Seguridad y Salud Ocupacional (OSHA). Pueden solicitarse copias del código NEC a la National Fire Protection Association, 470 Atlantic Ave., Boston, MA 02210, o en su agencia gubernamental de inspección.

ADVERTENCIA

RIESGO DE DESCARGA ELÉCTRICA, DE INCENDIO, LESIONES PERSONALES O DE MUERTE. Conectar solamente a una rama del circuito que esté protegida por un Interruptor de circuito por falla a tierra (GFCI). Contacte a un electricista autorizado si usted no puede asegurarse de que el circuito esté protegido por un GFCI (Interruptor de circuito por falla a tierra). Asegúrese de que el instalador proporcione un GFCI (Interruptor de circuito por falla a tierra) y que sea probado de manera rutinaria. Para probar el GFCI (Interruptor de circuito por falla a tierra), presione el botón de prueba. El GFCI (Interruptor de circuito por falla a tierra) debe interrumpir la energía. Presione el botón de reinicio. Se debe restablecer la energía. Si el GFCI (Interruptor de circuito por falla a tierra) no funciona de esta forma, quiere decir que está defectuoso. Si el GFCI (Interruptor de circuito por falla a tierra) interrumpe la energía a la bomba sin presionar el botón de prueba, quiere decir que fluye corriente de tierra, lo que indica la posibilidad de una descarga eléctrica. No utilice el dispositivo. Desconecte el dispositivo y solicite a un representante de servicio calificado que solucione el problema antes de utilizarlo.

ADVERTENCIA

Los equipos instalados incorrectamente pueden fallar y causar lesiones graves o daños materiales.

ADVERTENCIA

- No conecte el sistema a la red de agua no regulada de la ciudad, o a otra fuente externa de agua presurizada que produzca presiones mayores a 35 PSI.
- Arrancar la bomba cuando hay aire comprimido en el sistema puede hacer que salte la tapa del filtro, lo que puede causar serias lesiones e incluso la muerte o daño a la propiedad. Antes de operar asegúrese de que todo el aire del sistema haya salido.

⚠ ADVERTENCIA

Para minimizar el riesgo de muerte o graves lesiones, el filtro y/o la bomba no deben someterse a la prueba de presurización del sistema de tuberías.

Las normas locales pueden requerir que el sistema de tuberías de la piscina sea sometido a una prueba de presión. Por lo general, estos requisitos no deben aplicarse a los equipos de la piscina, tales como filtros y bombas.

Los equipos de piscina Jandy Pro se prueban por presión en la fábrica.

Sin embargo, si la ADVERTENCIA no se puede seguir y las pruebas de presión del sistema de tuberías deben incluir el filtro y/o la bomba, **ASEGÚRESE DE CUMPLIR CON LAS SIGUIENTES INSTRUCCIONES DE SEGURIDAD:**

- Compruebe que todas las abrazaderas, tornillos, tapas, anillos de bloqueo, y accesorios del sistema están correctamente instalados y asegurados antes de la prueba.
- **LIBERE TODO EL AIRE** en el sistema antes de la prueba.
- La presión del agua para la prueba no debe exceder 35 PSI.
- La temperatura del agua para la prueba no debe exceder 38°C.
- Limite la prueba a 24 hours. Después de la prueba, verifique visualmente el sistema para asegurarse de que está listo para funcionar.

Aviso: Estos parámetros sólo se aplican a los equipos Jandy Pro. Para equipos que no son Jandy Pro, consulte al fabricante del equipo.

⚠ ADVERTENCIA

Los derrames de productos químicos y los gases pueden debilitar los equipos de piscina. La corrosión puede hacer fallar los filtros y otros equipos, lo que resulta en lesiones graves o daños materiales. No almacene productos químicos para piscinas cerca de sus equipos.

ATENCIÓN

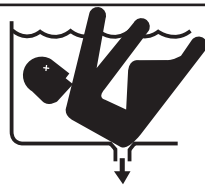
¡No arranque la bomba en seco! El funcionamiento de la bomba en seco puede causar daños graves e invalidará la garantía.

ATENCIÓN

- Esta bomba es para el uso en piscinas instaladas permanentemente y también se puede utilizar en tinas de hidromasaje y spas, si así lo indican. No utilice en piscinas portátiles. La piscina permanente está construida dentro o sobre el suelo o en un edificio, de tal manera que no se puede desmontar fácilmente para su almacenamiento. La piscina portátil está construida de manera que puede ser fácilmente desmontada para su almacenamiento y volver a montarse en su estado original.
- No la instale debajo de la falda de una tina de hidromasaje. La bomba requiere una ventilación adecuada para mantener la temperatura del aire por debajo del rango de temperatura ambiente máxima que aparece en la placa del motor.
- Para la instalación de la bomba en Canadá, esta bomba tiene una cubierta calificación tipo 3R y por lo tanto no está diseñada para su instalación en áreas sujetas a polvo levantado por el viento.

GUARDE ESTAS INSTRUCCIONES

1.2 Indicaciones para evitar el atrapamiento por la Bomba de succión de la piscina.



⚠ ADVERTENCIA

PELIGRO DE SUCCIÓN. Puede causar lesiones graves o la muerte. No use esta bomba en piscinas para niños, piscinas de poca profundidad, o spas con drenajes en el fondo, a menos que la bomba esté conectada a por lo menos dos (2) puntos de succión funcionales.

⚠ ADVERTENCIA

La succión de la bomba es peligrosa y puede atrapar, ahogar y desentrañar a los bañistas. No utilizar ni operar las piscinas, spas, jacuzzis si alguna de las tapas del desagüe de succión está ausente, rota o suelta. Las siguientes indicaciones proporcionan información para la instalación de la bomba minimizando el riesgo de lesiones para los usuarios de piscinas, spas y jacuzzis:

Protección contra atrapamiento – El sistema de succión de la bomba debe proporcionar protección contra los peligros de atrapamiento por succión.

Cubiertas de la toma de succión – Todas las tomas de succión deben tener las tapas instaladas correctamente y atornilladas en su lugar. Debe hacerse mantenimiento a todas las tapas de los drenajes de succión. Las tapas de desagüe deben cumplir con la última edición publicada de la norma ANSI/ASME A112.19.8 o su norma sucesora, ANSI/APSP-16. Deben ser sustituidas si están agrietadas, rotas o ausentes.

Número de tomas de succión por bomba – Deben proporcionarse al menos dos (2) colectores principales hidráulicamente equilibrados, con sus tapas, como salida para cada línea de succión de la bomba de circulación. Los centros de los colectores principales (puntos de succión) en una (1) línea de succión deben estar separados por lo menos tres (3) metros de distancia, centro a centro. Vea la Figura 1 en la página 7.

El sistema **debe** estar construido para incluir al menos dos (2) salidas de succión (desagües) conectadas a la bomba cuando está funcionando. Sin embargo, si dos (2) colectores principales llegan a una sola línea de succión, esta línea de succión individual puede ser equipada con una válvula que cerrará los dos desagües principales de la bomba. El sistema deberá ser construido de tal manera que no permita el cierre por separado o independiente (aislamiento) de cada uno de los drenajes. Vea la Figura 1 en la página 7.

Se puede conectar más de una (1) bomba a una línea de succión única, siempre y cuando se cumplan los requisitos.

Velocidad del agua – La velocidad máxima del agua a través del accesorio de succión o la cobertura de cualquier toma de succión debe ser de 1,5 metros por segundo, a menos que la salida se ajuste a la última edición publicada de la norma ANSI / ASME A112.19.8, el estándar para *Los accesorios de aspiración para el uso en piscinas de natación, piscinas pequeñas, jacuzzis, spas, tinas de hidromasaje y sus aplicaciones*, o su norma sucesora, ANSI/APSP-16. En cualquier caso, no exceda la velocidad máxima de flujo del accesorio de succión.

Si el 100% del caudal de la bomba viene del sistema de drenaje principal, la velocidad máxima del agua en el sistema hidráulico de succión de la bomba debe ser de seis (6) metros por segundo o menos, incluso si uno (1) de los desagües principales (salida de la succión) está completamente bloqueado. El flujo a través de (los) drenaje(s) principal restante (s) debe(n) cumplir con la última edición publicada de la norma ANSI/ASME A112.19.8, el estándar para *Los accesorios de aspiración para el uso en piscinas de natación, piscinas pequeñas, jacuzzis, spas, tinas de hidromasaje y sus aplicaciones*, o su norma sucesora, ANSI/APSP-16.

Pruebas y certificación – Las cubiertas de succión de salida deben haber sido probadas por un laboratorio de pruebas reconocido a nivel nacional y cumplir con la última edición publicada de la norma ANSI/ASME A112.19.8, el estándar para *os accesorios de aspiración para el uso en piscinas de natación, piscinas pequeñas, jacuzzis, spas, tinas de hidromasaje y sus aplicaciones*, o su norma sucesora, ANSI/APSP-16.

Accesorios – Accesorios de restricción de flujo; para la mejor eficiencia posible utilizar la menor cantidad de accesorios (pero por lo menos dos (2) salidas de succión).

Evite los accesorios que puedan causar trampas de aire.

Las conexiones y accesorios de limpieza de la succión deben ajustarse a los estándares aplicables de la Asociación Internacional de Fontanería y Funcionarios Mecánicos (IAPMO)

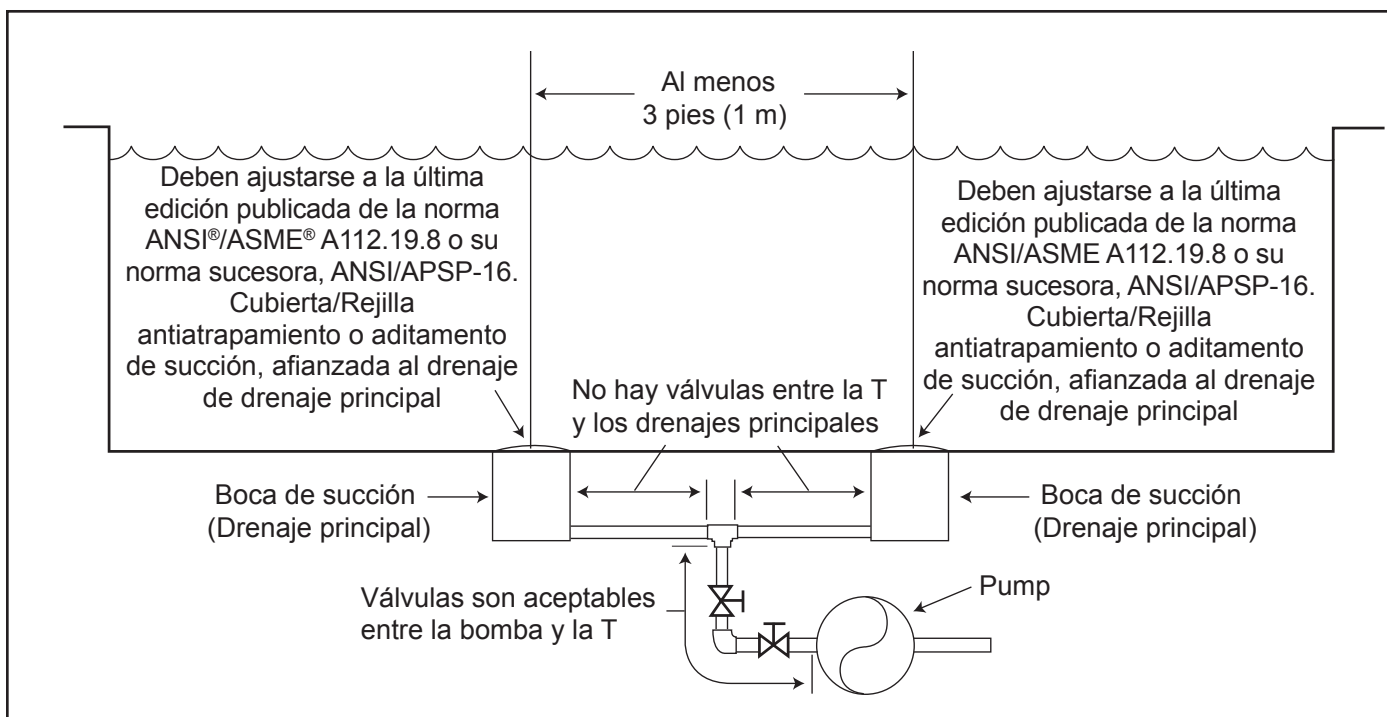


Figura 1. Número de tomas de succión por bomba

Sección 2. Descripción General

2.1 Introducción

Este manual contiene información para la correcta instalación, operación y mantenimiento de las bombas de velocidad variable Jandy Pro ePump. Los procedimientos indicados en este manual se deben seguir con exactitud. Para obtener copias adicionales de este manual, póngase en contacto con Zodiac® Atención al cliente al 800.822.7933 o visite nuestro sitio Web www.zodiacpoolsystems.com. Para más información de direcciones, consulte la contraportada de este manual.

2.2 Descripción

La ePump es una bomba de velocidad variable que se puede operar desde 600 RPM a 3450 RPM. Cuando se conecta al Controlador Jandy Pro ePump, se pueden programar y almacenar un máximo de ocho (8) ajustes de velocidad. Esto le permite seleccionar la velocidad más adecuada para su aplicación. Una programación aún más versátil es posible usando el controlador RS AquaLink® Jandy Pro.

La bomba Serie Jandy Pro ePump está diseñada para satisfacer las necesidades hidráulicas más exigente de hoy en día en equipos de piscina. La carcasa de la bomba, la placa posterior, el difusor, el impulsor y la trampa de pelo y pelusa (canasta filtro de residuos) están hechos con materiales termoplásticos de alta calidad. Estos materiales fueron seleccionados por su fuerza y resistencia a la corrosión.

La bomba es accionada por un motor eléctrico directamente conectado al impulsor de la bomba. A medida que el motor eléctrico gira, hace que el impulsor gire, lo que obliga a que el agua fluya a través de la bomba. El agua fluye a través de la entrada de la bomba y luego en la canasta del filtro. La canasta del filtro prerestringe/atrapa partículas grandes. El agua entra luego en el centro de la carcasa de la bomba, fluye a través del impulsor en el difusor, y sale del puerto de descarga de la bomba.

Sección 3. Información de instalación

3.1 Hidráulica

3.1.1 Información de preparación

- Tras la recepción de la bomba, revise si la caja presenta daños. Abra la caja y revise si la bomba presenta daños ocultos, tales como grietas, abolladuras o la base doblada. Si encuentra algún daño, póngase en contacto con el remitente o el distribuidor donde adquirió la bomba.
- Inspeccione el contenido de la caja y verifique que estén todas las piezas. Véase la *Sección 7.1, Lista de piezas de repuesto y planos de despiece*.

3.1.2 Ubicación de la bomba

ATENCIÓN

Para la instalación de la bomba en Canadá, esta bomba tiene una cubierta calificación tipo 3R y por lo tanto no está diseñada para su instalación en áreas sujetas a polvo levantado por el viento.

1. Zodiac recomienda la instalación de la bomba dentro de un espacio de 30 cms. sobre el nivel del agua. Véase la Figura 2 de una instalación típica. La bomba no debe elevarse a más de un metro por encima del nivel del agua de la piscina. Una válvula de antirretorno se recomienda en la línea de succión de la bomba.

ADVERTENCIA

Para reducir el riesgo de incendio, instale el equipo de la piscina en un área en donde no se acumulen hojas u otros residuos sobre el equipo o alrededor del mismo. Mantenga el área circundante libre de todo residuo como papel, hojas, hojas de pino y otros materiales inflamables.

ADVERTENCIA

Algunos sistemas de liberación de vacío de seguridad (SVRS) no son compatibles con la instalación de válvulas de antirretorno. Si la piscina tiene un dispositivo de SVRS, asegúrese de confirmar que seguirá operando de manera segura cuando se instalen las válvulas de antirretorno.

NOTA Para lograr un mejor autocebado, instale la bomba lo más cerca posible del nivel de agua de la piscina.

2. Si la bomba se ubica por debajo del nivel del agua, deben instalarse válvulas de aislamiento tanto en la línea de succión como en la de retorno para evitar el reflujos del agua de la piscina durante cualquier servicio de rutina o necesario.
3. La bomba y los otros equipos de circulación deben estar ubicados a más de cinco (5) metros del agua. Elija un lugar que reduzca al mínimo las curvas en la tubería.

NOTA En Canadá, la bomba debe estar ubicada a un mínimo de tres (3) metros (aproximadamente 10 pies) del agua (CSA C22.1).

4. La bomba debe ser colocada sobre una base sólida que no vaya a vibrar. Para reducir aún más la posibilidad de ruido por vibración, atornille la bomba a los cimientos, o colóquela sobre una estera de goma.

NOTA Zodiac Pool Systems LLC recomienda atornillar la bomba directamente los cimientos.

5. La base de la bomba debe tener un drenaje adecuado para evitar que el motor se moje. Proteja la bomba de la lluvia y el sol.
6. Es necesaria una ventilación adecuada para que la bomba funcione con normalidad. Todos los motores generan calor que debe ser retirado por mediante una ventilación adecuada.
7. Proporcione acceso para los futuros servicios, dejando un espacio suficiente alrededor de la bomba. Deje suficiente espacio por encima de la bomba para quitar la tapa y la cesta para su limpieza.
8. Si el equipo está en una zona potencialmente oscura, proporcione iluminación adecuada.

3.1.3 Dimensiones de la tubería

NOTA Todos los valores de HP mostrados en esta sección aplican para bombas a capacidad completa.

3.1.3.1 Tubería de succión

Cuando la bomba se encuentra dentro de una distancia de 15 metros de la piscina, el tamaño mínimo de la tubería recomendada para la succión de la bomba es de 2" para 0,75 a 1,5 HP* Para bombas de 2,0 HP*, el tamaño recomendado de la tubería es de 2 ½". Para bombas de 3,0 HP*, el tamaño recomendado de la tubería es de 3".

* HP se refiere a bombas a capacidad completa.

3.1.3.2 Tubería de descarga

Cuando la bomba se encuentra dentro de una distancia de 15 metros de la piscina, el tamaño mínimo de la tubería recomendada para la succión de la bomba es de 2" para 0,75 a 1,5 HP* Para bombas de 2,0 HP*, el tamaño recomendado de la tubería es de 2 ½". Para bombas de 3,0 HP*, el tamaño recomendado de la tubería es de 3".

* HP se refiere a bombas a capacidad completa.

NOTA Todos estos tamaños de tubería son capaces de resistir la presión que entregará la bomba, pero no necesariamente el flujo. Si el tubo es demasiado pequeño para la bomba, o si se eleva por encima del agua, no se podrá obtener el máximo de galones por minuto (GPM). Si esto sucede, la bomba desarrollará una bolsa de aire (cavitación) que hace ruido. Esto puede acortar la vida útil de la bomba.

3.1.3.3 Recomendaciones de instalación

1. Si la bomba se ubica por debajo del nivel del agua, deben instalarse válvulas de aislamiento tanto en la línea de succión como en la de retorno para evitar el reflujos del agua de la piscina durante cualquier servicio de rutina o necesario.
2. Para ayudar a prevenir problemas en el cebado, instale la tubería de succión, sin puntos elevados (por encima de la entrada de la bomba - "U" invertida, comúnmente conocidas como cámaras de aire) que puedan atrapar el aire. Para instalaciones de equipos dentro de una distancia de hasta 30 metros del agua, consulte la Tabla 1, la tabla de tamaños de tuberías. Para instalaciones de equipos a una distancia de más de 30 metros del agua, el tamaño de la tubería recomendada se debe aumentar al tamaño siguiente.

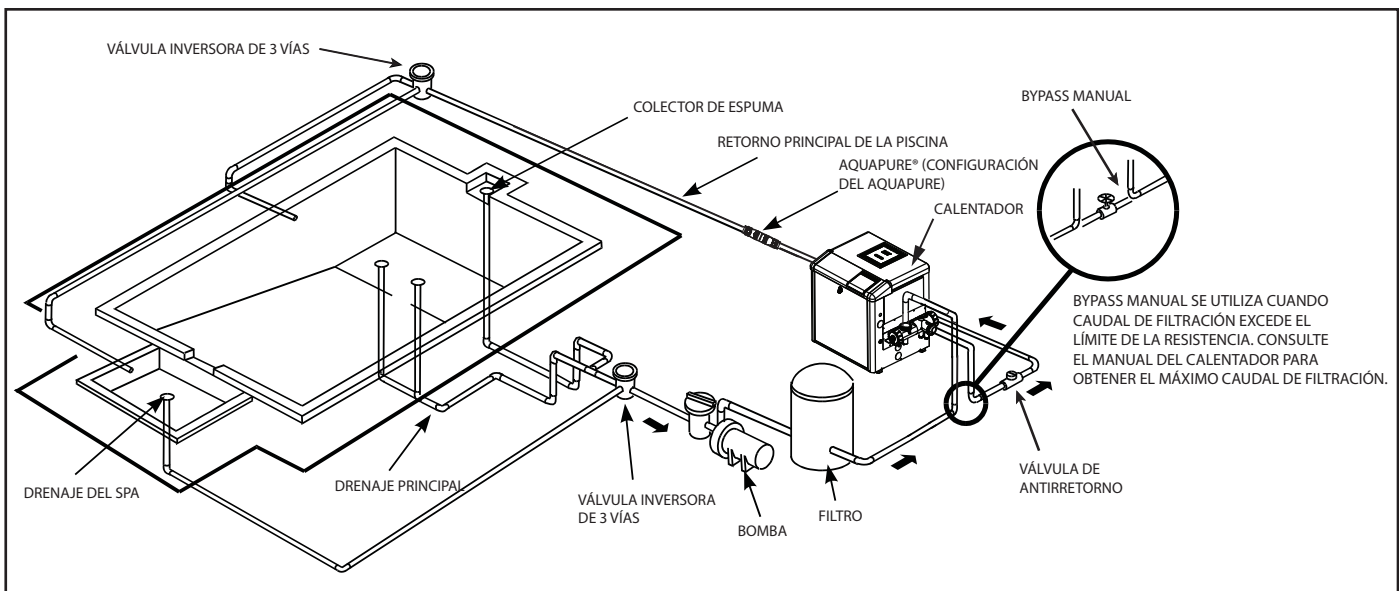


Figura 2. Instalación típica de tubería

Tabla 1. Diagrama de dimensionamiento de tuberías para PVC cédula 40

Tamaño de la tubería	Flujo máximo de succión (6 pies por segundo)	Flujo máximo de descarga (8 pies por segundo)
1½"	37 GPM (140 LPM)	50 GPM (189 LPM)
2"	62 GPM (235 LPM)	85 GPM (322 LPM)
2½"	88 GPM (333 LPM)	120 GPM (454 LPM)
3"	136 GPM (515 LPM)	184 GPM (697 LPM)
4"	234 GPM (886 LPM)	313 GPM (1185 LPM)

- Las bombas de la serie ePump están equipadas con uniones en ambos puertos de succión y descarga. Esta característica simplifica la instalación y el servicio y elimina la posibilidad de fugas en los adaptadores roscados.
- La bomba de la serie Jandy Pro ePump deben conectarse con al menos dos (2) desagües principales hidráulicamente balanceados (salidas de succión), para cada línea de succión de la bomba. Véase la Figura 2. Cada desagüe debe estar provistos de tapas que cumplan con la última edición publicada de la norma ANSI / ASME A112.19.8, o su norma sucesora, ANSI/ APSP-16. Las salidas de succión de los principales drenajes deben estar a por lo menos un (1) metro de distancia o en planos diferentes. Las salidas de succión pueden ser un drenaje y un rebosadero, dos (2) desagües, dos (2) rebosaderos, o un rebosadero con una línea de igualación instalada. Para detalles adicionales y directrices, véase las normas ANSI / APSP 7, el estándar para evitar atrapamiento por succión en las piscinas, piscinas para niños, spas, jacuzzis, y sumideros. Compruebe los códigos locales los requisitos de una instalación correcta. Todos los códigos locales tendrán prioridad sobre otros códigos.

NOTA Para evitar el atrapamiento, el sistema debe ser construido de manera que no pueda funcionar con la bomba retirando agua de sólo un (1) colector principal. Por lo menos dos (2) colectores principales deben estar conectados a la bomba cuando esté en funcionamiento. Sin embargo, si dos (2) colectores principales llegan a una sola línea de succión, esta línea de succión individual puede ser equipada con una válvula que cerrará los dos desagües principales de la bomba.

- La tubería debe estar bien apoyada y sin forzamientos, donde experimentará un estrés constante.
- Siempre use válvula del tamaño correcto. Las válvulas de desviación Jandy Pro y las válvulas de bola Jandy Pro tienen típicamente las mejores capacidades de flujo.
- Use la menor cantidad de conexiones posibles. Todos los accesorios adicionales tienen el efecto de alejar más el equipo del agua.

NOTA Si son necesarias más de diez conexiones de succión, el tamaño de la tubería debe ser aumentada.

- Cada nueva instalación debe someterse a una prueba de presión de acuerdo a los códigos locales.

3.2 Instalación eléctrica

3.2.1 Pruebas de voltaje

El voltaje correcto, como se especifica en la placa de la bomba, es necesario para un rendimiento adecuado y una larga vida del motor. Un voltaje incorrecto disminuirá el desempeño de la bomba y podría causar sobrecalentamiento, reduciendo la vida útil del motor y resultando en cuentas eléctricas más altas.

Es responsabilidad del instalador eléctrico proporcionar el voltaje de funcionamiento indicado en los datos de la placa la bomba, garantizando los tamaños adecuados de circuito y de cable para esta aplicación específica.

ATENCIÓN

No proporcionar el voltaje indicado en placa (dentro de un 10%) durante la operación hará que el motor se sobrecaliente y anulará la garantía.

3.2.2 Conexiones eléctricas

1. La carcasa del motor debe estar conectada a una toma de tierra fiable con un conductor de cobre sólido, N° 8 AWG o más grande. En Canadá, debe utilizarse N° 6 AWG o mayor. Si la bomba está instalada dentro de cinco (5) pies (1,5 m) de las paredes interiores de la piscina, spa o jacuzzi, la carcasa del motor debe estar conectado a todas las partes metálicas de la estructura de la piscina, spa o jacuzzi y a todas las tuberías de los equipos eléctricos, conductos de metal y dentro de los cinco (5) pies (1,5 m) de las paredes interiores de la piscina, spa o jacuzzi.
2. Unir el motor utilizando el terminal de externo provisto. Vea la figura 3.

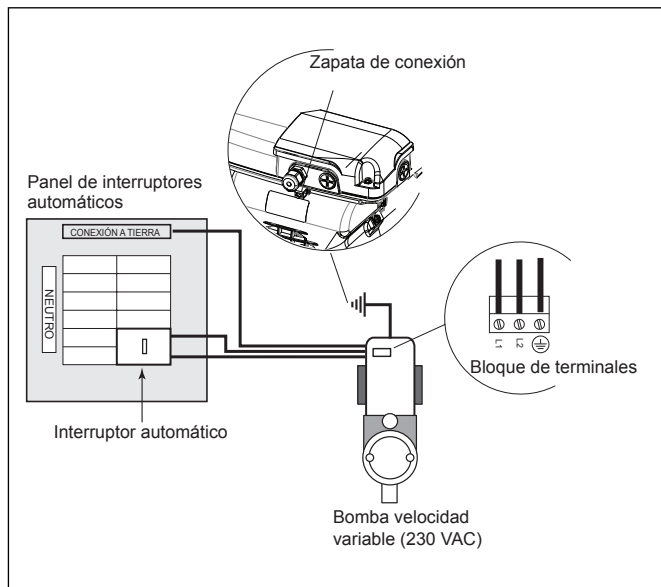


Figura 3. Unión del motor, motor Regal Beloit

⚠ ADVERTENCIA

Siempre desconecte la fuente de alimentación antes de trabajar en un motor o su carga acoplada.

⚠ ADVERTENCIA

Con el fin de evitar el riesgo de daños a la propiedad, lesiones personales graves y/o muerte, asegúrese de que el interruptor de control, reloj de tiempo, o el sistema de control estén instalados en un lugar accesible, de modo que en el caso de una falla del equipo o de tuberías, el equipo pueda ser fácilmente desactivado.

ATENCIÓN

La bomba debe estar permanentemente conectada a un circuito eléctrico dedicado. Ningún otro equipo, luces, electrodomésticos, o tomas pueden estar conectados al circuito de la bomba, con la excepción de los productos que pueden ser necesarios para operar simultáneamente con la bomba, como un dispositivo de cloración o la calefacción.

3.2.3 Cableado eléctrico

1. El motor de la bomba debe ser puesto a tierra adecuadamente y de forma segura con el tornillo verde proporcionado. Complete el aterramiento antes de conectar al suministro de energía eléctrica. No conecte a tierra en una tubería de suministro de gas.
2. El tamaño del cable debe ser adecuado para minimizar la caída de tensión durante el arranque y funcionamiento de la bomba. Vea la Tabla 2 para los tamaños de cable sugeridos.
3. Aísle todas las conexiones con cuidado para evitar cable a tierra o cortocircuitos. Los bordes afilados en los terminales requieren una protección extra. Por razones de seguridad, y para evitar la entrada de contaminantes, reinstale todos los conductos y tapas de la caja de terminales. No fuerce las conexiones en la caja de conexiones.

NOTA Dado que la bomba es operada por un controlador ePump (JEP-R), o por un Controlador RS AquaLink®, o por un Asistente Digital AquaLink (PDA), o por un controlador AquaLink Z4, la bomba no se activará hasta que se arranque con uno de estos controladores.

Tabla 2. Tamaño máximo del cable y máxima exceso de corriente recomendados para las ePumps

TAMAÑO MÁXIMO DEL CABLE Y MÁXIMA PROTECCIÓN POR SOBRECORRIENTE RECOMENDADOS PARA LAS BOMBAS SERIE ePumps *		
Distancia desde el sub-tablero	0 – 45,72 m	
Modelo	Inverso - Interruptor temporizado o fusible del ramal AMPS Clase: CC, G, H, J, K, RK, o T 230 VAC	Voltaje 208-230 VAC
VSSH270AUT JEP2.0, Motor Regal Beloit	20A máx.	12
VSSH220AUT JEP1.5, Motor Regal Beloit	20A máx.	12

*Asume tres (3) cables de cobre en un conducto enterrado y un máximo de 3% de pérdida de voltaje por rama del circuito. Deben seguirse todos los códigos eléctricos locales y los de la National Electrical Code (NEC®). La tabla muestra el tamaño de cable mínimo y recomendaciones de fusibles por rama para la instalación típica según la NEC.

3.2.4 Instalación del controlador

La bomba ePump puede ser operada por uno de estos tres (3) los controladores: el controlador ePump (JEP-R), el controlador RS AquaLink® (Rev O o posterior), el AquaLink PDA (Rev 4.0 o posterior), o el AquaLink Z4.

El motor de la bomba del modelo Jandy Pro viene equipado de fábrica con un cable RS-485 de cuatro hilos. Este cable RS-485 viene con un hilo adicional apantallado para conexión a tierra. El cable apantallado se conectará a tierra SOLAMENTE en un extremo, en la bomba del modelo motor Jandy Pro. Esto viene preinstalado de fábrica. En el otro extremo, el cable apantallado se recorta en la fábrica. Si es necesario cortar el cable RS-485 a cualquier longitud a la medida, asegúrese de pelar y cortar el cable de tierra apantallado. La ePump se comunica con los controladores a través de una interfaz de cuatro hilos RS-485.

Para instalar el controlador ePump:

NOTA El número de pieza del ePump es JEP-R

1. Corte la tensión de la ePump desconectando las líneas de alta tensión o abriendo de cualquier interruptor de energía al cual esté conectado.

⚠ ADVERTENCIA

RIESGO DE CHOQUE ELÉCTRICO

Apague todos los interruptores y el interruptor principal en el circuito eléctrico de la ePump antes de iniciar el procedimiento. El incumplimiento de esta recomendación puede causar un riesgo de electrocución, que puede dar como resultado lesiones personales severas e incluso la muerte.

2. Retire la tapa de la caja de conexiones ePump y enchufe el cable RS-485 en la conexión.
3. Desconecte el conector RS-485 de la ePump.
4. Inserte los cuatro (4) cables del cable RS-485 al conector RS-485. Haga coincidir los colores de los cables con las posiciones del conector de la siguiente manera: 1- rojo, 2- negro, 3- amarillo y 4- verde. Vea la figura 4.
5. Inserte el conector RS-485 de nuevo en la ePump.
6. Deslice los interruptores DIP 1 y 2 arriba, quedando en la posición de encendido y los interruptores DIP 3 y 4 hacia abajo, quedando en la posición apagado. Vea la figura 4.
7. Conecte el otro extremo del cable al controlador. Haga coincidir los colores de los cables con las posiciones adecuadas del conector, tal como se describe en el Paso 4.
8. Restablezca el suministro de energía al controlador y verifique su funcionamiento.
9. Consulte el manual de instrucciones del controlador de ePump, H0311200, para operar la bomba.

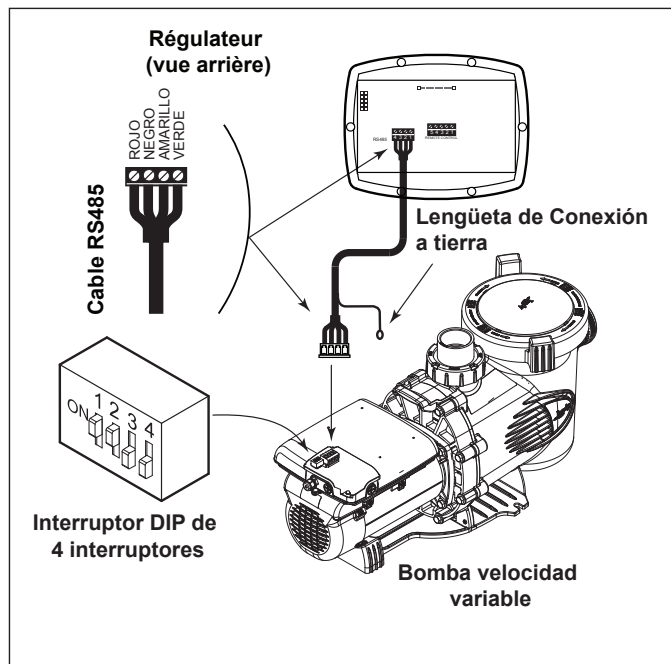


Figura 4. Cableado del controlador ePump (JEP-R) a la bomba ePump, Motor A.O. Smith

Para instalar el controlador RS AquaLink® (Rev O o posterior) o el AquaLink PDA (Rev 4.0 o posterior) o el AquaLink Z4:

1. Corte la tensión de la ePump desconectando las líneas de alta tensión o abriendo de cualquier interruptor de energía al cual esté conectado.

⚠ ADVERTENCIA

RIESGO DE CHOQUE ELÉCTRICO.

Apague todos los interruptores y el interruptor principal en el circuito eléctrico de la ePump antes de iniciar el procedimiento. El incumplimiento de esta recomendación puede causar un riesgo de electrocución, que puede dar como resultado lesiones personales severas e incluso la muerte.

2. Retire la tapa de la caja de conexiones ePump y enchufe el cable RS-485 en la conexión.
3. Este paso es sólo para el modelo motor Regal Beloit. Desconecte el conector RS-485 de la ePump y conecte los cuatro (4) cables del cable RS-485 al conector RS-485. Haga coincidir los colores de los cables con las posiciones del conector de la siguiente manera: 1- rojo, 2- negro, 3- amarillo y 4- verde. Vea las figuras 5A y 5B.
5. Inserte el conector RS-485 de nuevo en la ePump.
6. Deslice los interruptores DIP 1 y 2 abajo, quedando en la posición apagado. Vea las figuras 5A y 5B.
7. Seleccione la(s) dirección(es) deseada(s) para la ePump (s) configurando los interruptores DIP 3 y/o 4, como se muestra en la Sección 3.3, Configuración de los interruptores DIP de la ePump.

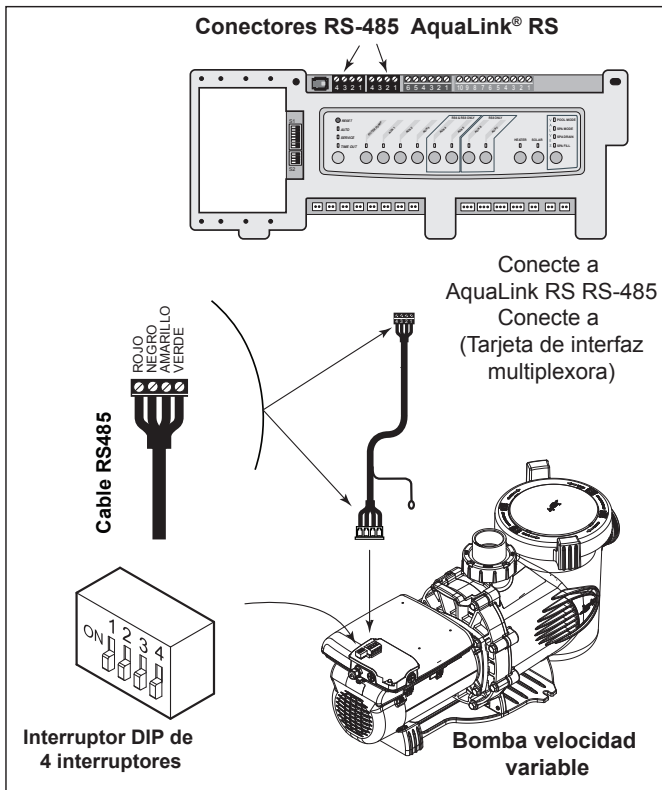


Figura 5A. Cableado del controlador AquaLink RS o AquaLink PDA a la ePump, Motor Regal Beloit

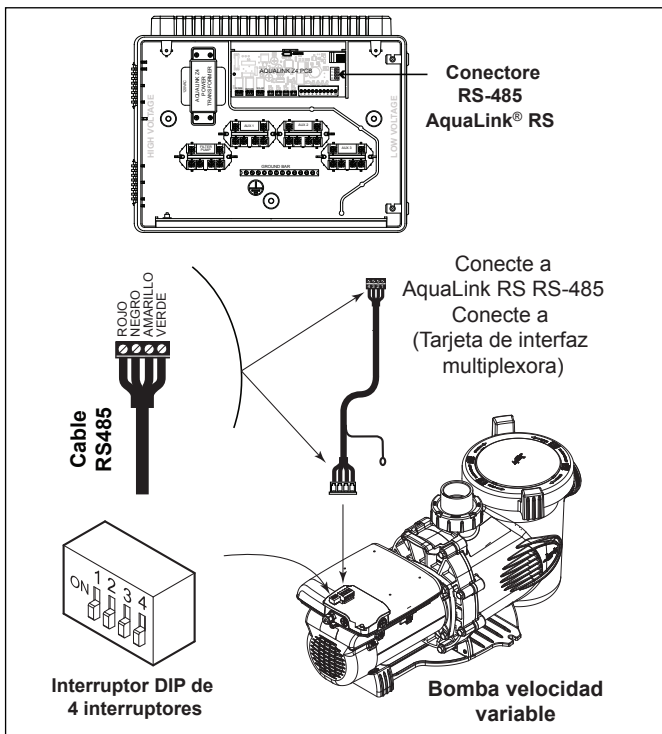


Figura 5B. Cableado del controlador AquaLink Z4 a la ePump, Motor Regal Beloit

NOTA: El Controlador AquaLink Z4 trabaja con una sola bomba de velocidad variable, de modo que las posiciones del interruptor dip se utilice la configuración predeterminada de fábrica de cuatro interruptores para todos. Consulte la Figura 5B.

8. Conecte el otro extremo del cable al conector RS-485 en el RS AquaLink® (o tarjeta interfaz multiplexora), coincidiendo los colores de los cables con las posiciones del conector, como se describió en el paso 3.
9. Restablezca el suministro de energía a la ePump y verifique el funcionamiento del controlador.
10. Consulte el manual correspondiente para operar las bombas: Manual de Usuario del AquaLink RS, 6593 o el Manual de Usuario del AquaLink PDA, H0572300 o Manual de Usuario del AquaLink Z4, H0386600.

3.3 Configuración de los interruptores DIP de la ePump

Como se ve en las Figuras 4, 5A y 5B, el interruptor DIP de 4 posiciones está en la parte posterior de la ePump. Este interruptor DIP tiene dos (2) funciones: selecciona la dirección de la bomba, qué tipo de controlador se puede utilizar con la bomba. Las siguientes tablas muestran la configuración del interruptor DIP .

Interruptor 1	Interruptor 2	Controlador
Off	Off	AquaLink RS o AquaLink PDA
ON	ON	Controlador ePump (JEP-R)

Interruptor 3	Interruptor 4	Dirección de la bomba
Off	Off	BOMBA 1
ON	Off	BOMBA 2
Off	ON	BOMBA 3
ON	ON	BOMBA 4

3.4 Prueba de presión

Todos los modelos Jandy Pro ePumps vienen con una junta tórica adicional desechable para la prueba de presión. Ésta es la junta tórica azul de prueba. Vea las figuras 6 y 7.

ATENCIÓN

No abra la tapa de la bomba antes de la prueba de presión, debido a que la junta tórica azul de prueba se puede caer. Si esto sucede, tendrá que volver a meterla en la tapa.

Si usted no ha abierto la tapa de la bomba, pase a la Sección 3.5, Ejecución de la prueba de presión.

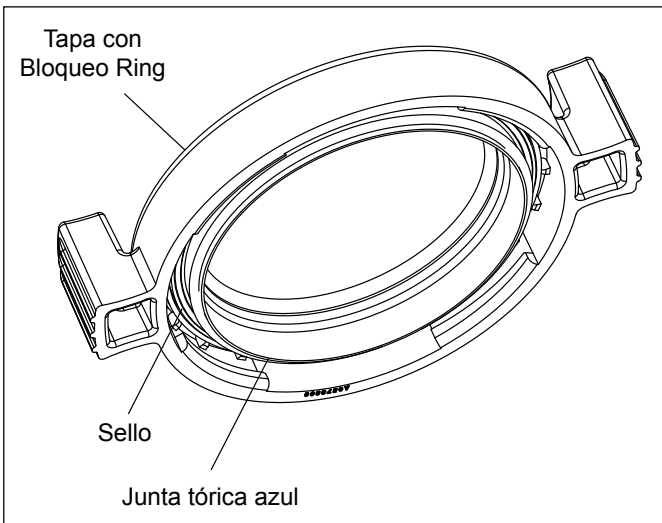


Figura 6. Junta de prueba de presión azul en la tapa de montaje

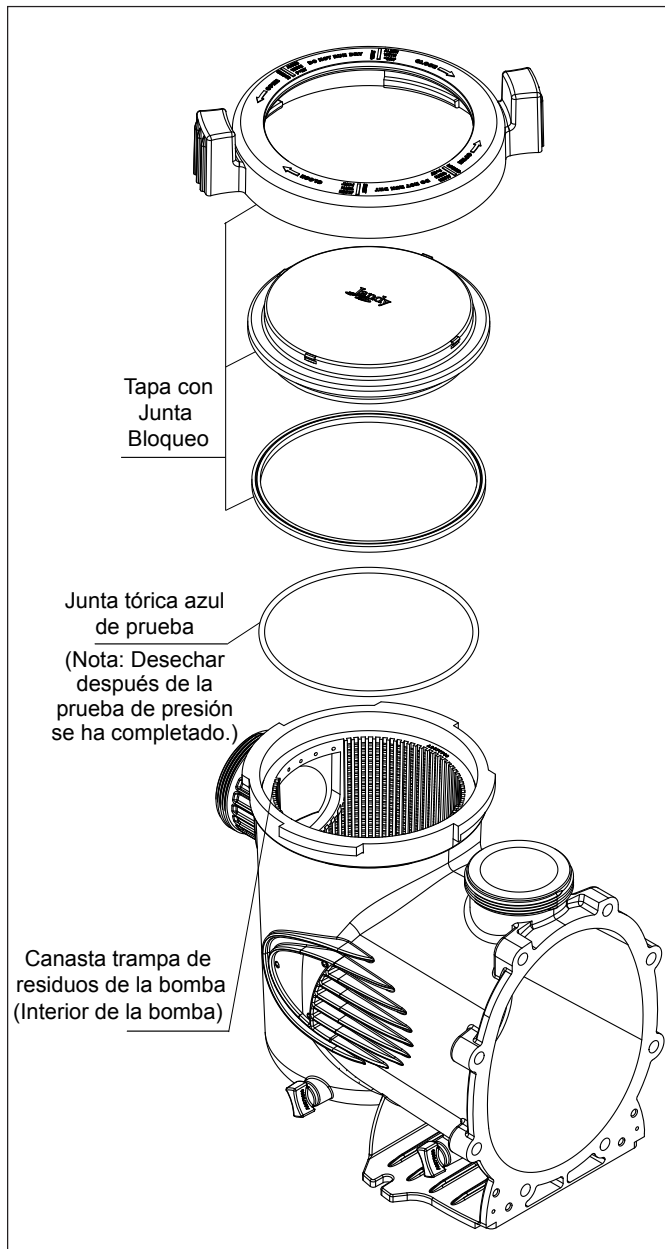


Figura 7. Plano de despiece de la bomba

3.4.1 Si es necesario, sustituya la junta tórica azul de prueba.

Si abre la tapa de la bomba antes de realizar la prueba de presión, la junta tórica azul probablemente se caerá. Si esto sucede, deberá instalarla en la tapa de nuevo antes de la realización de la prueba de presión.

Existe un riesgo de que ocurran daños en la junta tórica azul durante la reinstalación. Si se dañó cuando se trataba de volver a instalarla, necesitará pedir una nueva junta tórica azul de prueba antes de comenzar a realizar la prueba de presión.

Estas instrucciones describen los procedimientos adecuados para la sustitución, el uso y la eliminación de la junta tórica azul.

Los procedimientos se deben seguir con exactitud. Lea las instrucciones en su totalidad antes de comenzar el procedimiento.

3.4.1.1 Quite la tapa de la bomba

1. Asegúrese de que la bomba esté apagada.
2. Asegúrese de que el interruptor al disyuntor que acciona el motor de la bomba se apague.

⚠ ADVERTENCIA

RIESGO DE CHOQUE ELÉCTRICO.

Apague la bomba y el interruptor principal en el circuito eléctrico de la bomba antes de iniciar el procedimiento. El incumplimiento de esta recomendación puede causar un riesgo de electrocución, que puede dar como resultado lesiones personales severas e incluso la muerte.

⚠ ADVERTENCIA

RIESGO DE CHOQUE ELÉCTRICO.

Debido al riesgo potencial de incendio, choque eléctrico o lesiones a las personas, las bombas Jandy Pro se debe instalar de acuerdo con el Código Eléctrico Nacional (NEC®), todos los códigos locales eléctricos y de seguridad, y la Ley de Seguridad y Salud Ocupacional (OSHA). Pueden solicitarse copias del código NEC a la National Fire Protection Association, 470 Atlantic Ave., Boston, MA 02210, o en su agencia gubernamental de inspección.

En Canadá, las bombas del Jandy Pro deben instalarse de acuerdo con el Código Eléctrico Canadiense (CEC).

3. Asegúrese de que todas las válvulas de aislamiento necesarias están cerradas para evitar que agua de la piscina de llegue a la bomba.
4. Siguiendo las marcas en el anillo de cierre, gire el anillo hacia la izquierda hasta que la marca 'ARRANQUE' se alinee con los puertos.
5. Retire con cuidado la tapa con anillo de cierre.

3.4.1.2 Sustituya la junta tórica

1. Voltee la tapa con anillo de cierre hacia abajo y colóquelo sobre una superficie estable.
2. Coloque la junta tórica azul en el paso situado $\frac{1}{4}$ " de la parte inferior de la tapa. Véase Figura 8.
3. Asegúrese de que la junta tórica esté asentada correctamente. Ayuda “colocar” la junta tórica en el paso en vez de “rodar” sobre ella. Eso evita que se desplace fuera.

NOTA La junta tórica azul se encuentra aproximadamente a $\frac{1}{4}$ " de distancia de la junta. Véase Figura 8.

4. Instale con cuidado la tapa, asegurándose de que la junta tórica azul de prueba de presión asiente en la carcasa sin “trabas” ni “resbalones”.
5. Siguiendo las marcas en el anillo de bloqueo, alinee las marcas “START” (arranque) con los puertos y gire hacia la derecha hasta las marcas “LOCKED” (bloqueado) se alineen con los puertos. *No apriete más allá de la marca “LOCKED” (bloqueado).*

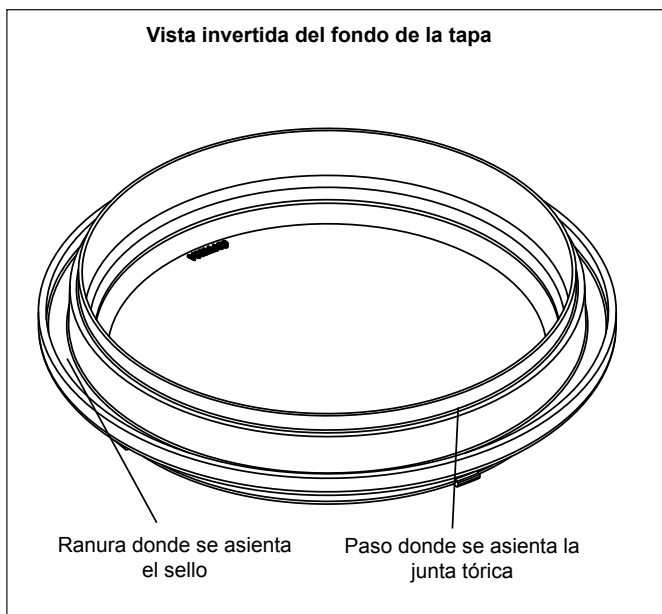


Figura 8. Colocación de la junta tórica azul de prueba de presión

3.5 Realizar la prueba de presión

⚠ ADVERTENCIA

Cuando se presuriza un sistema con agua para probarlo, a menudo el aire queda atrapado en el sistema durante el proceso de llenado. Este aire se comprimirá cuando el sistema está bajo presión. En caso de fallo del sistema, este aire atrapado puede impulsar escombros a gran velocidad y causar lesiones. Se deben hacer todos los esfuerzos posibles para eliminar el aire atrapado durante el llenado de la bomba, incluida la apertura de la válvula de purga del filtro y el aflojamiento de la tapa de la canasta de la bomba.

⚠ ADVERTENCIA

Arrancar la bomba cuando hay aire comprimido en el sistema puede hacer que salte la tapa del filtro, lo que puede causar lesiones serias e incluso la muerte o daño a la propiedad. Asegúrese de que todo el aire haya sido correctamente purgado fuera del sistema antes de operar. **NO USE AIRE COMPRIMIDO PARA PRUEBAS DE PRESIÓN O PARA COMPROBAR SI HAY FUGAS.**

⚠ ADVERTENCIA

No pruebe con presiones mayores de 35 PSI. La prueba de presión debe ser realizada por un profesional de piscinas entrenado. Todo equipo de circulación que no se haya probado adecuadamente puede fallar, lo que podría provocar lesiones graves o daños materiales.

⚠ ADVERTENCIA

Cuando se realice la prueba de presión del sistema con agua, es muy importante asegurarse de que la tapa de la canasta de la bomba esté completamente segura.

1. Llene el sistema con agua, teniendo cuidado de eliminar el aire atrapado.
2. Presurice el sistema con agua a no más de **35 PSI**.
3. Cierre la válvula para atrapar agua presurizada en el sistema.
4. Observe el sistema para detectar fugas y/o caídas de presión.
5. Si hay fugas en la tapa, repita los pasos 1-3. Para soporte técnico, llame al 800.822.7933.
6. Después de completar con éxito la prueba, deseche la junta tórica azul de prueba de presión.

3.6 Operación de carga auxiliar

Ciertos modelos de bombas poseen una barra terminal que permite que los usuarios accedan a un contacto de relé de carga auxiliar incorporado. Este contacto, generalmente abierto y seco, se activa bajo ciertas condiciones de operación y se utiliza principalmente para controlar dispositivos externos que requieren el caudal de agua del sistema para funcionar adecuadamente, tales como calentadoras, bombas de reforzador, clorinadores de agua salada, etc.

Véanse Figuras 4, 5A y 5B para obtener más detalles sobre la ubicación del compartimento. Antes de proceder, se debe retirar la cubierta de acceso con tornillo Phillips.

Requisitos de conexión de la carga auxiliar

⚠ ADVERTENCIA

RIESGO DE CHOQUE ELÉCTRICO

Debido al riesgo potencial de incendio, choque eléctrico o lesiones corporales, Bombas Zodiac® y todas las cargas auxiliares debe ser instalado de acuerdo con el National Electrical Code® (NEC®), todos los códigos locales eléctricos y de seguridad, y la Ley de Seguridad y Salud Ocupacional (OSHA). Pueden solicitarse copias del código NEC a la National Fire Protection Association, 470 Atlantic Ave., Boston, MA 02210, o en la agencia gubernamental de inspección que corresponda.

En Canadá, las bombas Zodiac deben instalarse de acuerdo con el Canadian Electrical Code (CEC).

- Los contactos de relé de la carga auxiliar están clasificados como 230V/11A RMS. Asegúrese de que los elementos del equipo que deben conectarse a la carga auxiliar *no superen esta clasificación*.

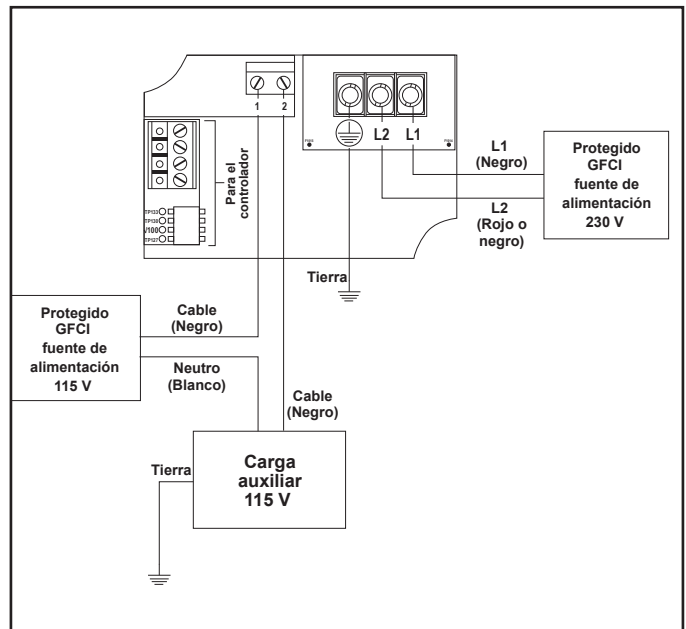


Figura 10. Diagrama de cableado de fuentes de alimentación separadas, carga auxiliar de 115 V

Características de operación de la carga auxiliar

La activación del contacto del relé de la carga auxiliar depende de la velocidad y funciona según se describe a continuación:

Cierre del contacto

A partir de un punto de inactividad, existe una demora de tres minutos antes de que el contacto de la carga auxiliar se cierre cuando la velocidad del motor alcanza por lo menos las 1725 RPM y se mantiene.

A partir de un punto de operación a menos de 1725 RPM, existe una demora de cinco segundos antes de que se cierre el contacto de la carga auxiliar cuando el motor alcanza y mantiene por lo menos 1725 RPM.

Apertura del contacto

Si la velocidad del motor es menor que 1725 RPM, el contacto de la carga auxiliar se abre. Las aperturas del contacto son siempre inmediatas.

Sección 4. Operación

4.1 Puesta en marcha

ATENCIÓN

Nunca haga funcionar la bomba sin agua. Hacer funcionar la bomba “en seco” durante mucho tiempo puede causar graves daños a la bomba y al motor y anulará la garantía.

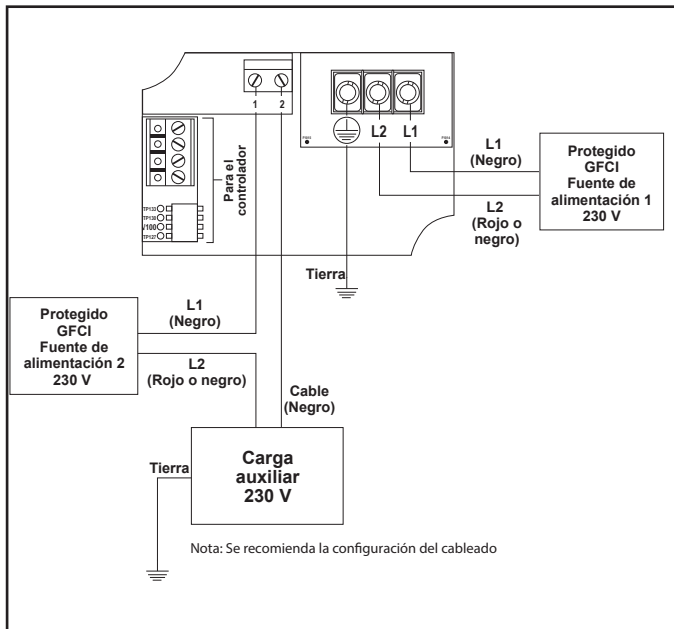


Figura 9. Diagrama de cableado de fuentes de alimentación separadas, carga auxiliar de 230 V

Si se trata de una piscina nueva, asegúrese de que toda la tubería esté libre de residuos de construcción y que haya sido debidamente probada a presión. El filtro debe ser revisado para su correcta instalación, comprobando que todas las conexiones y abrazaderas estén aseguradas de acuerdo a las recomendaciones del fabricante.

ADVERTENCIA

Para evitar el riesgo de daños a la propiedad, lesiones personales graves o la muerte, verificar que la alimentación eléctrica esté apagada antes de iniciar este procedimiento.

1. Descargue toda la presión del sistema y abra la válvula de liberación de presión del filtro.
2. Dependiendo de la ubicación de la bomba, haga una de las siguientes cosas:
 - Si la bomba se encuentra por debajo del nivel del agua de la piscina, abra la válvula de liberación de presión del filtro para cebar la bomba con agua.
 - Si la bomba se encuentra por encima del nivel del agua de la piscina, retire la tapa y llene la canasta con agua antes de arrancar la bomba.
3. Antes de sustituir la tapa, compruebe si hay residuos alrededor de la tapa del asiento de la junta tórica. Los residuos alrededor la tapa del asiento de la junta tórica harán penetrar el aire en el sistema y dificultarán el cebado de la bomba.
4. **Apriete a mano** la tapa para hacer un sello hermético. No utilice ninguna herramienta para apretar la tapa: **sólo apriete a mano**. Asegúrese de que todas las válvulas estén abiertas y las uniones estén apretadas.
5. Restablezca el suministro eléctrico a la bomba. A continuación, encienda la bomba siguiendo las instrucciones del manual correspondiente: ePump Manual del propietario del Controlador, H0311200, AquaLink® Manual del propietario del RS, 6593 o Manual del propietario del AquaLink PDA, H0572300 o Manual del propietario del AquaLink Z4, H0386600.
6. Una vez que todo el aire haya salido del filtro, cierre la válvula de alivio de presión.
7. La bomba se deberá cebar. El tiempo que toma el cebado dependerá de la altura y la longitud de la tubería utilizada en el suministro de succión. Véase *Sección 3.1.3.3, Recomendaciones de Instalación*, para el aumento correspondiente del tamaño de la tubería.
8. Si la bomba no se ceba y todas las instrucciones se han seguido hasta este punto, revise si hay una fuga de succión. Si no hay fugas, repita los pasos 2 al 7.
9. Para obtener asistencia técnica, llame al Soporte Técnico Zodiac® al 800.822.7933.

Sección 5. Servicio y mantenimiento

5.1 Mantenimiento de rutina

Inspeccionar la canasta de residuos de la bomba mirando a través de la tapa transparente. Elimine todos los residuos, ya que a medida que los residuos se acumulan, comenzarán a bloquear el flujo de agua a través de la bomba. Mantener la canasta limpia para mejorar el rendimiento de la bomba.

1. Apague la alimentación eléctrica de la bomba. Si la bomba se encuentra por debajo del nivel del agua, cerrar las válvulas de aislamiento en los lados de succión y descarga de la bomba para evitar el reflujo de agua.
2. Girar el anillo de cierre de la tapa hacia la izquierda hasta que “START” se alinee con los puertos. Retire la tapa cuidadosamente. (Puede usar una herramienta para hacer palanca).

ATENCIÓN

Una cesta desalineada hará que la tapa no quede correctamente asentada, permitiendo fugas de aire que podrían resultar en daños a la bomba.

3. Levante la canasta de la bomba.
4. Deseche los residuos y limpie a fondo la canasta, asegurándose de que todos los agujeros estén abiertos. Usando una manguera de jardín, rocíe la canasta desde afuera para ayudar a limpiar los agujeros. Elimine todos los residuos restantes con la mano.
5. Vuelva a colocar la canasta de la bomba mediante la alineación de la abertura con el tubo de succión. Si está alineada correctamente, la canasta caerá fácilmente en su lugar. **No la fuerce en su lugar**.
6. Retire la junta de la tapa y eliminar los residuos alrededor del asiento de la junta de la tapa, ya que esto puede permitir que el aire penetre en el sistema. Limpie la junta de la tapa y colóquela sobre la tapa.
7. Vuelva a colocar la tapa con anillo de cierre. **Apriete a mano** la tapa para hacer un sello hermético. No utilice ninguna herramienta para apretar la tapa: **sólo apriete a mano**.
8. Verifique que todas las válvulas hayan regresado a la posición adecuada para el funcionamiento normal.
9. Abra la válvula de alivio de presión en el filtro, y asegúrese de que está limpio y listo para funcionar.
10. Encienda la alimentación eléctrica de la bomba. Una vez que todo el aire haya salido del filtro, cierre la válvula de alivio de presión.

5.2 Preparación para el invierno

ATENCIÓN

La bomba **debe** protegerse cuando se esperen temperaturas de congelación. Permitir que la bomba se congele le causará daños graves e invalidará la garantía.

ATENCIÓN

¡No use soluciones anticongelantes en los sistemas de piscina, spa, o jacuzzi! El anticongelante es altamente tóxico y puede dañar el sistema de circulación. La única excepción a esto es el propilenglicol. Para más información, consulte en su tienda proveedora de artículos de piscina/spa o póngase en contacto con una empresa calificada de servicios de piscina.

1. Drenetoda el agua de la bomba, el equipo del sistema y las tuberías.
2. Retire los dos (2) tapones de drenaje. Almacene los tapones de drenaje en un lugar seguro y reinstálelos cuando la temporada de frío haya terminado. **No pierda las juntas tóricas**
3. Mantenga el motor cubierto y seco. No cubra la bomba con el plástico, esto creará condensación que puede dañarla.

NOTA Zodiac Pool Systems LLC recomienda que un técnico de servicio calificado o un electricista desconecte correctamente el cableado eléctrico en la caja de interruptores o de conexiones. Una vez que se retire la electricidad, afloje las dos (2) uniones y almacene la bomba bajo techo. Por razones de seguridad, y para evitar la entrada de contaminantes, reinstale todos los conductos y tapas de la caja de terminales.

4. Cuando el sistema se vuelva a abrir para la operación, llame a un técnico calificado o un electricista para que se asegure de que todas las tuberías, válvulas, cableado y el equipo estén de acuerdo con las recomendaciones del fabricante. Preste mucha atención a las conexiones eléctricas y el filtro.
5. La bomba debe ser cebada antes de comenzar. Véase la Sección 4.1.

Sección 6. Diagnóstico, localización de averías y reparación

Para ordenar o comprar piezas para las bombas Jandy Pro contacte su distribuidor Zodiac® más cercano. Si el concesionario Zodiac no le puede proporcionar lo que usted necesita, póngase en contacto con el soporte técnico de Zodiac en 1.800.822.7933 o envíe un mensaje de correo electrónico a productsupport@zodiac.com.

6.1 Diagnóstico y solución de problemas

Síntoma	Posible causa / Solución
El sistema de limpieza/circulación no está funcionando correctamente.	<p>Verificar que las canastas de rebose, cesta de la bomba y otras pantallas estén limpias. Limpie de ser necesario.</p> <p>Revise el filtro y límpielo de ser necesario.</p> <p>Revise las posiciones de la válvula. Ajuste de ser necesario.</p> <p>NOTA Múltiples equipos funcionando a la vez (por ejemplo, cascadas, chorros de hidromasaje y retornos superficiales) afectarán el buen funcionamiento del sistema de limpieza.</p> <p>Consulte el manual del sistema de limpieza para asegurarse de que el sistema se ajuste a las recomendaciones del fabricante.</p>
Hay burbujas en la canasta de la bomba.	<p>Hay aire en el sistema. Comprobar el nivel de agua de la piscina o spa para asegurarse de que esté en el nivel apropiado y no se esté introduciendo aire en la tubería de succión. Si el agua está en el nivel normal, apague la bomba. Gire el anillo de cierre de la tapa hacia la izquierda hasta que la marca "START" (arranque) se alinee con los puertos. Retire la tapa y compruebe si hay residuos alrededor del asiento de la junta sello de la tapa O si hay una instalación inadecuada de la junta de la tapa, ya que cualquiera de esas condiciones permitirá que el aire penetre en el sistema. Limpie la junta de la tapa y vuelva a colocarla en la tapa. Vuelva a colocar la tapa de la carcasa de la bomba. Alinee "START" (arranque) con los puertos y gire el anillo de bloqueo hacia la derecha hasta que la marca "LOCKED" (bloqueado) se alinee con los puertos. Apriete a mano la tapa para hacer un sello hermético. No utilice ninguna herramienta para apretar la tapa. Encienda la bomba de nuevo.</p>
Las fugas de aire están todavía presentes.	<p>Compruebe la unión del lado de succión de la tubería. Con la bomba en funcionamiento, trate de apretar la unión. Si esto no detiene la fuga de aire, apague la bomba. Afloje ambas uniones y deslice la bomba a un lado. Retirar, limpiar e inspeccionar las juntas tóricas de la unión en caso de desgaste excesivo. Sustituya la junta tórica si está agrietada, frágil, o muy aplanadas.</p> <p>Vuelva a colocar la bomba al lado de la tubería y asegure las tuercas de unión a la bomba.</p>
No hay aire en el sistema, pero la presión sigue siendo baja.	<p>Es posible que haya residuos atrapados en el impulsor de la bomba. El impulsor de la bomba mueve el agua y las paletas de la turbina pueden bloquearse con residuos. Véase la <i>Sección 6.2, Servicio técnico de mantenimiento, 6.2.1, Impulsor bloqueado</i>, en este manual para mayor información.</p>
No hay residuos en el impulsor y la presión aún es baja.	<p>El impulsor de la bomba y el difusor están mostrando señales de desgaste normal. Permita que un técnico de servicio calificado revise el impulsor y el difusor y los reemplace si es necesario.</p> <p>Si la bomba es parte de una instalación relativamente nueva, podría ser un problema eléctrico. Contacte a un técnico calificado. Permita que el técnico verifique si hay conexiones eléctricas sueltas y que compruebe el voltaje en el motor con la bomba en funcionamiento. El voltaje debe estar dentro del 10% de los datos indicados en su placa de datos. Si el voltaje no está dentro del 10%, contáctese con un electricista calificado y/o el proveedor del servicio de electricidad local.</p> <p>El sello de la bomba tiene fugas de aire. Permita que un técnico de servicio calificado reemplace el sello.</p>
La bomba tiene una fuga de agua entre el motor y el cuerpo de la bomba.	<p>Esto es causado por un sello mecánico dañado. Sustituya el sello. Véase la <i>Sección 6.2, Servicio técnico de mantenimiento, 6.2.3, Reemplazo del sello mecánico</i>, en este manual.</p>
La bomba se calienta y se apaga de forma periódica.	<p>Asegúrese de que haya suficiente espacio alrededor del motor para que el aire circule y mantenga fresco el motor. Permita que el técnico verifique si hay conexiones eléctricas sueltas y que compruebe el voltaje en el motor con la bomba en funcionamiento. El voltaje debe estar dentro del 10% de los datos indicados en su placa de datos. Si el voltaje no está dentro del 10%, contáctese con un electricista calificado y/o el proveedor del servicio de electricidad local.</p>

Síntoma	Posible causa / Solución
<p>La bomba no arranca.</p>	<p>No hay energía eléctrica en la bomba.</p> <p>Asegúrese de que la bomba esté correctamente conectada a alta tensión. Véase la <i>Sección 3.2, Instalación eléctrica</i>, en este manual.</p> <p>Cableado inadecuado de bajo voltaje.</p> <p>Revises si hay cableado de bajo voltaje entre la bomba y el controlador. Corríjalo si es necesario. Véase la <i>Sección 3.2, Instalación eléctrica</i>, en este manual.</p> <p>Configuración incorrecta de la dirección de la bomba.</p> <p>Asegúrese de que los interruptores DIP 3 y 4 ePump se hayan configurado correctamente para la instalación. Ambos deben estar en "OFF" (apagado) para su uso con el controlador ePump o configurados en la dirección correcta cuando se conectan a un controlador RS AquaLink® o con un AquaLink PDA o un AquaLink Z4. Véase la <i>Sección 3.3, ePump Configuración de los interruptores DIP</i>, en este manual.</p> <p>Hay una condición de falla.</p> <p>Vea el mensaje de error en el controlador y corrija la falla antes de continuar. Si no está seguro de cómo corregir la falla, póngase en contacto con soporte técnico en 800.822.7933.</p>
<p>La pantalla LCD del controlador ePump no muestra la información</p> <p>o</p> <p>La lucecita del ePump no está encendida (modelo Motor Jandy Pro solamente).</p>	<p>Configuración incorrecta de los interruptores DIP.</p> <p>Asegúrese de que ambos interruptores DIP 1 y 2 de la ePump estén en "ON" (encendido). Véase la <i>Sección 3.3, ePump Configuración de los interruptores DIP</i>, en este manual.</p> <p>Cableado inadecuado de bajo voltaje.</p> <p>Revises si hay cableado de bajo voltaje entre la bomba y el controlador. Corríjalo si es necesario. Véase la <i>Sección 3.2, Instalación eléctrica</i>, en este manual.</p>
<p>El controlador muestra "BOMBA NO CONECTADA".</p>	<p>Cableado inadecuado de bajo voltaje.</p> <p>Revises si hay cableado de bajo voltaje entre la bomba y el controlador. Corríjalo si es necesario. Véase la <i>Sección 3.2, Instalación eléctrica</i>, en este manual.</p> <p>Configuración incorrecta de la dirección de la bomba.</p> <p>Asegúrese de que los interruptores DIP 3 y 4 ePump se hayan configurado correctamente para la instalación. Ambos deben estar en "OFF" (apagado) para su uso con el controlador ePump o configurados en la dirección correcta cuando se conectan a un controlador RS AquaLink o con un AquaLink PDA. Véase la <i>Sección 3.3, ePump Configuración de los interruptores DIP</i>, en este manual.</p>
<p>Aparece un mensaje de error en la pantalla del controlador.</p>	<p>Hay una condición de falla.</p> <p>Vea el mensaje de error en el controlador y corrija la falla antes de continuar. Si no está seguro de cómo corregir la falla, póngase en contacto con soporte técnico en 800.822.7933.</p>

6.2 Servicio técnico de mantenimiento

⚠ ADVERTENCIA

Este producto debe ser instalado y mantenido por un técnico profesional de mantenimiento, especializado en piscinas/spas. Los procedimientos indicados en este manual se deben seguir con exactitud. La instalación o funcionamiento inadecuados pueden crear riesgos eléctricos peligrosos, que pueden causar altos voltajes a través del sistema eléctrico. Esto puede ocasionar daños a la propiedad, lesiones personales e incluso la muerte. La instalación y/o la operación incorrectas serán causa de anulación de la garantía.

6.2.1 Impulsor bloqueado

⚠ ADVERTENCIA

Antes de reparar la bomba, apague los interruptores de la fuente de alimentación eléctrica. Graves lesiones personales o la muerte puede ocurrir si la bomba se arranca con la mano dentro de la bomba.

1. Apague la bomba. Apague el interruptor del circuito del motor de la bomba.
2. Retire la tapa y la canasta.
3. Busque residuos dentro de la bomba. Retire los residuos encontrados adentro.
4. Vuelva a colocar el cesto y la tapa.
5. Encienda el interruptor del circuito del motor de la bomba.
6. Encienda la bomba, y vea si el problema está resuelto.
7. Si el impulsor sigue bloqueado con residuos y no es posible eliminarlos con los pasos 2 a 4, la bomba tendrá que ser desmontada para acceder a la entrada y la salida del impulsor.

6.2.2 Extracción y sustitución del Impulsor

⚠ ADVERTENCIA

Antes de reparar la bomba, apague los interruptores de la fuente de alimentación eléctrica. Graves lesiones personales o la muerte puede ocurrir si la bomba se arranca con la mano dentro de la bomba.

1. Apague la bomba. Apague el interruptor del circuito del motor de la bomba. Si no va a sustituir el motor, no desconecte el cableado eléctrico.

NOTA Si va a sustituir el motor, Zodiac Pool Systems LLC recomienda que un técnico de servicio calificado o un electricista desconecte correctamente el cableado eléctrico en el motor de la bomba.

2. Apague todas las válvulas para evitar que agua de la piscina de llegue a la bomba. Drene el agua de la bomba aflojando los uniones o la retirando los tapones de drenaje.

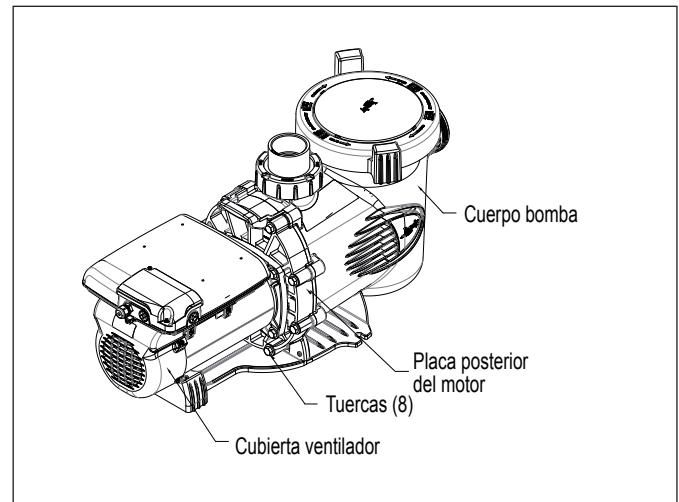


Figura 11. Retire la cubierta de la bomba, Motor Regal Beloit

3. Utilizando una llave 9/16", afloje los pernos que conectan el cuerpo de la bomba a la placa posterior del motor. Véase Figuras 11.
4. Extraiga el motor y la placa posterior fuera del cuerpo de la bomba. Retire la junta tórica de la bomba. El impulsor está conectado al eje del motor.
5. Utilizando un destornillador de punta estrella N° 1, retire los dos (2) tornillos que sujetan el difusor. (El difusor es la tapa sobre el impulsor.) Luego retire el difusor. Véase las Figura 12.
6. Acceda a la entrada y salida del impulsor y elimine los residuos.
7. Retire la tapa del ventilador en la parte trasera del motor quitando los tornillos. (Véase las Figura 13.) El eje del motor y el ventilador quedarán a la vista.
8. Sostenga el eje expuesto del motor con un destornillador plano ancho de ½" mientras retira el tornillo central del impulsor. Utilice un destornillador de punta estrella N° 3 y gire el tornillo de rosca izquierda hacia la derecha para aflojarla. Véase las Figura 13.

NOTA No sostenga el ventilador para extraer el tornillo del impulsor.

9. Sostenga el eje del motor con un destornillador plano ancho de ½" mientras desenrosca el impulsor del eje del motor con la mano. Gire el impulsor hacia la izquierda para desenroscarlo.
10. Inspeccione el impulsor y el difusor por signos de roce y/o daños. Refiérase a la Figura 14.

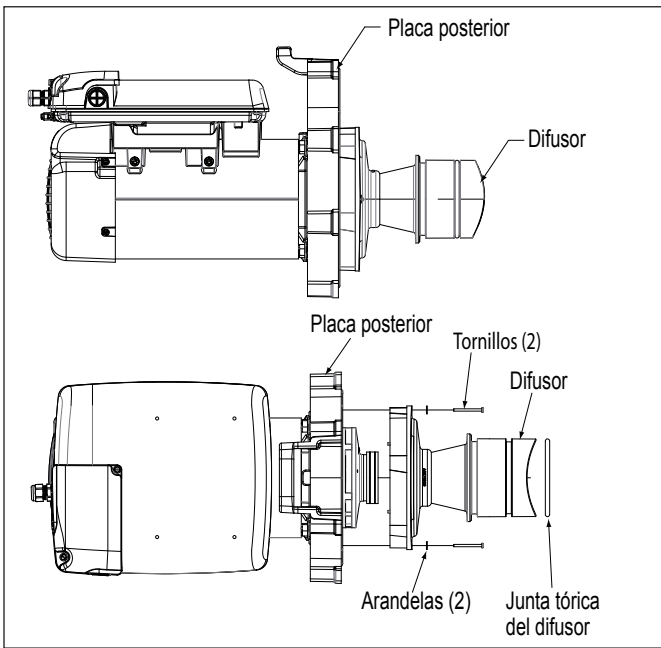


Figura 12. Retire el difusor, motor Regal Beloit

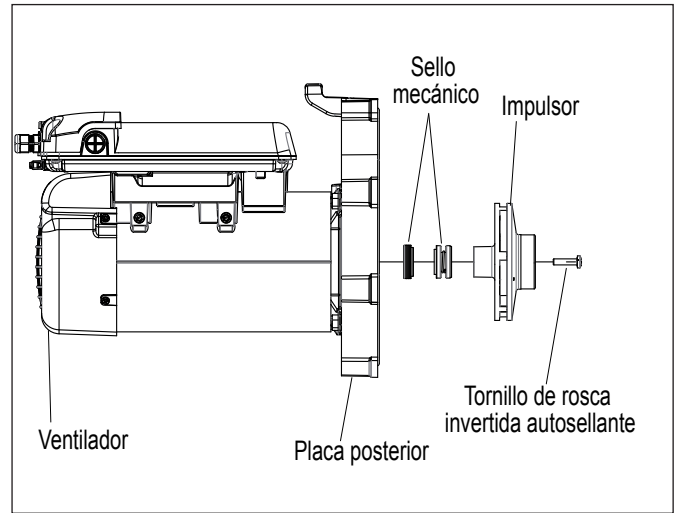


Figura 13. Retire el impulsor, motor A.O. Smith

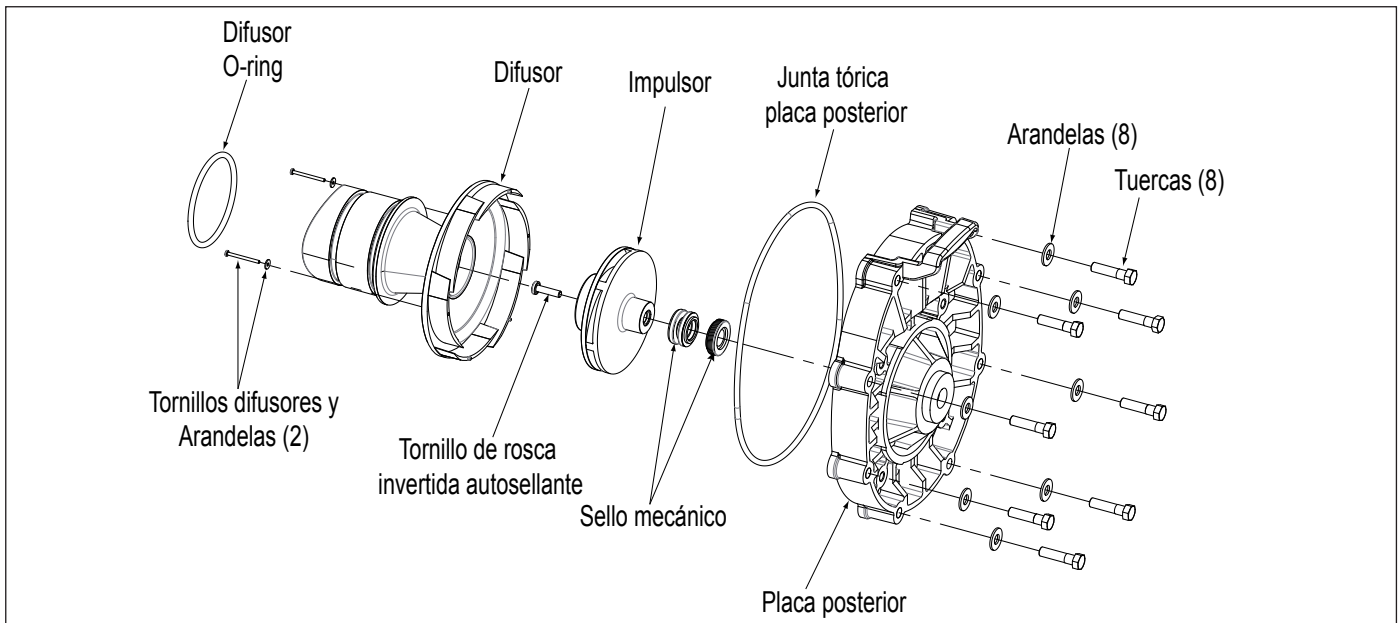


Figura 14. Plano de despiece del Difusor e Impulsor

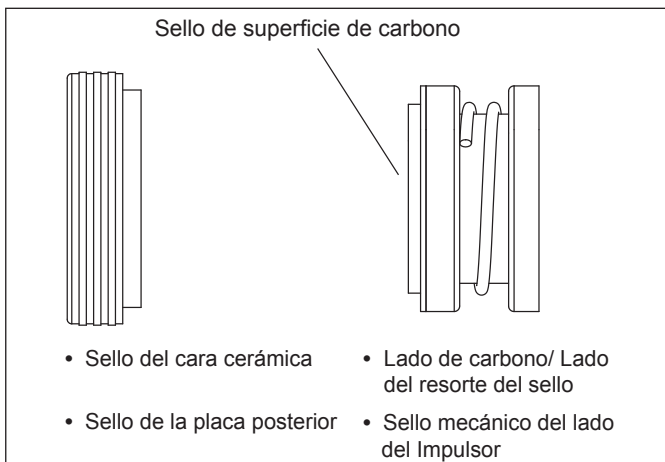


Figura 15. Sello Mecánico

6.2.2.1 Rearmado del impulsor

1. Presione el nuevo sello de superficie carbono (vea la Figura 15) en el eje del motor con un movimiento de torsión. Asegúrese de que la superficie de carbono quede mirando hacia el anillo de cerámica en la placa posterior.

ATENCIÓN

¡Muy importante! Para evitar daños en el sello, cuando lo instale sujete su parte inferior (opuesta a la cara de carbono).

NOTA Para ayudar en el montaje, use **solamente** agua o agua y jabón como lubricante. Cualquier otro lubricante destruirá el sello después de un periodo corto de tiempo.

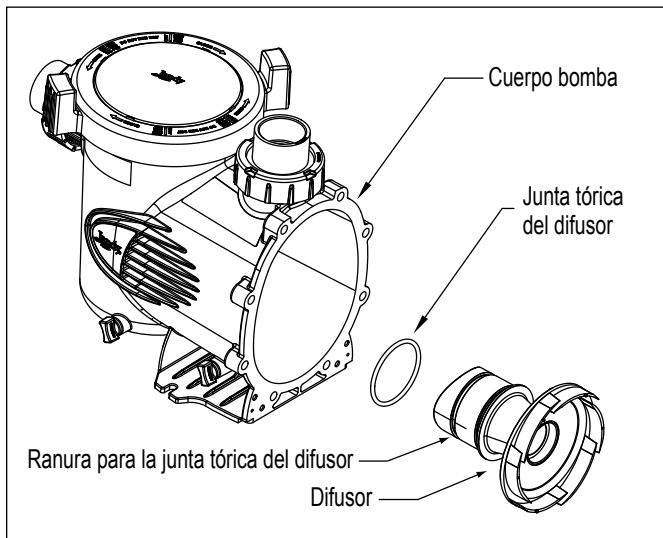


Figura 16. Plano de despiece del cuerpo de la bomba y del difusor

NOTA Asegúrese de mantener las partes del sello y cobertura limpias.

2. Mientras sostiene el eje del motor con un destornillador ancho y plano de ½", inserte el impulsor en el eje del motor. Apriete a mano el impulsor hasta que quede asegurado. Instale el tornillo del centro del impulsor en el centro del impulsor. Gire el tornillo de rosca invertida hacia la izquierda y apriete, utilizando un destornillador de punta estrella N° 3. **No apriete demasiado.**
3. Vuelva a colocar la cubierta del ventilador colocando los tornillos.
4. Vuelva a colocar la cubierta del eje del motor mediante la inserción de las lengüetas de la cubierta en las ranuras rotando la cubierta 90° hacia la derecha.
5. Vuelva a colocar el difusor en el impulsor, con cuidado al insertar los pasadores de alineación en los agujeros correctos. La flecha moldeada en él debe apuntar hacia el mango de la placa posterior.
6. Vuelva a colocar los dos (2) tornillos de estrella pequeños. Apriete los tornillos para sacar el difusor contra la placa posterior del motor.
7. Para ayudar a prevenir una pérdida de aire en el sistema, asegúrese de que la junta tórica del difusor, la ranura de la junta tórica y su sello estén limpios y libres de residuos. Si retiró la junta tórica del difusor, asegúrese de instalarla en la ranura de donde la extrajo. (Véase la Figura 16.) Si usa grasa para retener la junta tórica, **debe ser** a base de silicona, **No use grasa a base de petróleo**. Destruirá la junta tórica.
8. Deslice el difusor en el agujero de acoplamiento en el cuerpo de la bomba. Mientras sujeta el motor comience colocando dos (2) tornillos en lados opuestos. (Esto mantendrá el motor en posición mientras empieza con los otros seis (6) tornillos.)
9. Apriete los tornillos ligeramente en un patrón cruzado de "X" con una llave 9/16". Comience con los cuatro (4) del interior (centro), luego los cuatro (4) del exterior (arriba y abajo) para colocar la placa posterior en el cuerpo de una manera uniforme. Una vez que todos los tornillos estén ajustados, apriételos en el mismo orden con una llave de torque hasta 18 libras-pie.
10. Si la bomba se encuentra por encima del nivel del agua de la piscina, retire la tapa y llene la cesta con agua antes de arrancar la bomba.
11. Para ayudar a evitar una fuga de aire en el sistema, elimine los residuos alrededor del asiento junta de la tapa.
12. **Apriete a mano** la tapa para hacer un sello hermético. **No utilice ninguna herramienta para apretar la tapa.**
13. Abra la válvula de alivio de presión en el filtro y asegúrese de que esté limpio y listo para funcionar.
14. Encienda el interruptor del circuito del motor de la bomba.
15. Encienda la bomba y verifique el funcionamiento normal del sistema.
16. Una vez que todo el aire haya salido del filtro, cierre la válvula de alivio de presión.

6.2.3 Reemplazo del sello mecánico

NOTA Éste es un proceso de sustitución de dos partes. **El sello mecánico debe ser reemplazado como un conjunto.**

NOTA Consulte la figura 17 para ver una ilustración de la ubicación del sello mecánico y el impulsor.

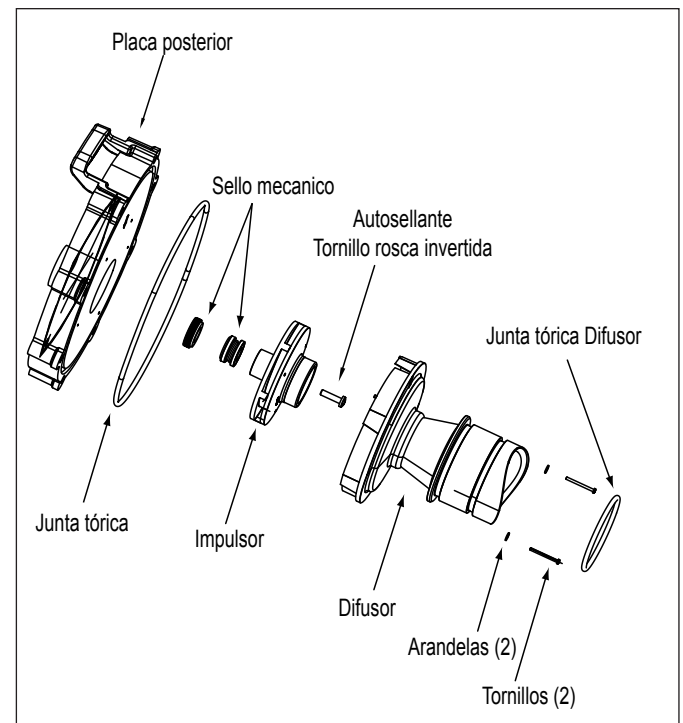


Figura 17. Plano de despiece mecánico de la placa posterior, del impulsor, del difusor

ATENCIÓN

No dañe las superficies de cerámica o de carbono de los sellos. Si se dañan las superficies, habrá fugas.

1. Para acceder a la junta mecánica, siga los pasos del 1 al 9 de *Sección 6.2.2, Extracción y sustitución del impulsor*.
2. Retire el sello de carbono del eje del motor (véase figura 16). Éste es un sello con resorte. Sujete la parte de la junta más cercana al cuerpo del impulsor y quite el sello con un movimiento de torsión.
3. Retire el motor de la placa posterior, siguiendo los pasos en la *Sección 6.2.5, Sustitución del motor*.
4. Coloque la placa posterior con el lado de la junta tórica hacia abajo y saque el sello de cerámica hacia afuera utilizando un destornillador.
5. Gire la placa posterior con el lado de la junta tórica hacia arriba e inserte el nuevo sello de cerámica. Tenga mucho cuidado de no presionar la junta en ángulo recto con los dedos. La cerámica es muy delicada y se debe introducir usando sólo los dedos o herramientas blandas. No use ningún lubricante que no sea agua o agua con jabón.
6. Instale la placa posterior, siguiendo los pasos pertinentes en la *Sección 6.2.2.1, rearmado del impulsor*.
7. Instale el motor, siguiendo los pasos de la *Sección 6.2.4, de reemplazo del motor*.

NOTA Zodiac Pool Systems LLC recomienda que los sellos mecánicos se sustituyan al mismo tiempo que se sustituye el motor. Véase la *Sección 6.2.3, Reemplazo del sello mecánico* para más detalles.

2. Para retirar la carcasa de la bomba del motor, siga los pasos del 1 al 10 de la *Sección 6.2.2, Remoción y reemplazo del impulsor*.
3. Tenga en cuenta la alineación de la placa posterior del motor, como se muestra en las figura 18. Coloque la placa posterior del motor con el lado de la junta tórica hacia abajo, desatornille los cuatro tornillos 9/16" y quite el motor.

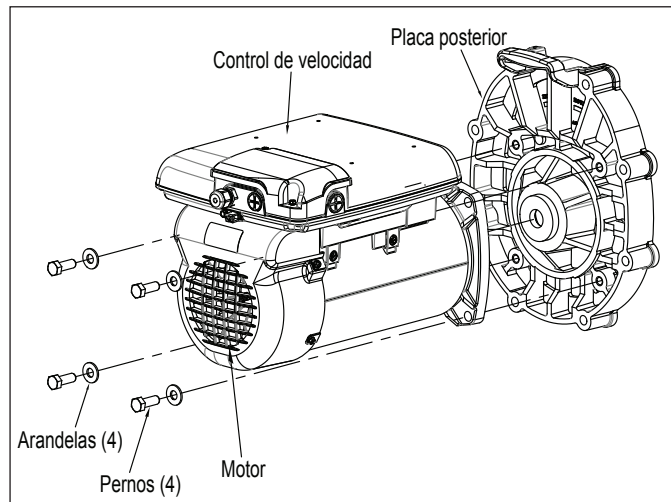


Figura 18. Montaje de la placa posterior, Motor Regal Beloit

6.2.4 Reemplazo del motor**⚠ ADVERTENCIA**

Para mantener la seguridad y una operación confiable, los sistemas de Zodiac Pool Systems, Inc. requieren que se reemplace el motor con otro que tenga idéntica capacidad en HP y factor de servicio (solamente unidades aprobadas por Zodiac Pool Systems, Inc).

1. Permita que un técnico de servicio calificado o un electricista desconecte correctamente el cableado eléctrico en el motor de la bomba.

⚠ ADVERTENCIA**RIESGO DE ELECTROCHOQUE.**

Apague todos los interruptores y el interruptor principal en el circuito eléctrico de la ePump antes de iniciar el procedimiento. Espere cinco (5) minutos después de desconectar la alimentación y antes de abrir el motor. Sólo para el modelo motor Jandy Pro, no continúe hasta que la lucecita en la parte superior de la unidad de control electrónica esté completamente apagada. El incumplimiento de esta recomendación puede causar un riesgo de electrocución, que puede dar como resultado lesiones personales severas incluso la muerte.

4. Si va a instalar un nuevo motor, retire la tapa protectora plástica del eje del motor. Coloque el motor sobre la placa posterior de manera que la abertura quede hacia la cara de la placa posterior. El controlador de la electrónica en el motor debe estar en la posición de las 12.
5. Sustituya los cuatro (4) tornillos y arandelas que sostienen la placa del motor.
6. Para volver a montar la placa de montaje a la carcasa, siga los pasos del 2 al 9 de *Sección 6.2.2.1, Rearmado del impulsor*.
7. Si la bomba se encuentra por encima del nivel del agua de la piscina, retire la tapa y llene la canasta con agua antes de arrancar la bomba.
8. Para evitar una fuga de aire en el sistema, elimine los residuos alrededor del asiento de la junta de la tapa.
9. **Apriete a mano** la tapa para hacer un sello hermético. **No utilice ninguna herramienta para apretar la tapa.**
10. Abra la válvula de alivio de presión en el filtro y asegúrese de que esté limpio y listo para funcionar.
11. Permita que un técnico de servicio calificado o un electricista conecte correctamente los cables eléctricos en el motor de la bomba.

12. Encienda el suministro eléctrico al motor de la bomba utilizando el controlador y compruebe el normal funcionamiento del sistema.

NOTA Para obtener instrucciones sobre el funcionamiento del controlador, consulte el manual apropiado: manual del propietario del controlador de ePump, H0311200, o el manual del propietario del controlador RS AquaLink®, 6593, o el manual del propietario del controlador AquaLink PDA, H0572300 o el manual del propietario del controlador AquaLink Z4, H0386600.

13. Una vez que todo el aire haya salido del filtro, cierre la válvula de alivio de presión.

Sección 7. Especificaciones del producto y datos técnicos

7.1 Lista de piezas de repuesto y plano de despiece

Para ordenar o comprar piezas para las bombas Jandy Pro, contacte su distribuidor Zodiac® más cercano. También puede contactar con el Soporte Técnico de Zodiac en 800.822.7933. Refiérase a la Figura 17 para el Motor ePump modelo Jandy Pro Series.

N° de clave	Descripción	N° de modelo	N° de repuesto
1	Motor, Velocidad variable, Motor Regal Beloit.	VSSHP270	R0562200
1	Motor, Velocidad variable, Motor Regal Beloit.	VSSHP220	R0562201
2	Placa posterior, bomba, SHP, PHP/MHP	Todo	R0445200
3	Impulsor, Juego de reemplazo	VSSHP270	R0807200
3	Impulsor, Juego de reemplazo	VSSHP220	R0807201
4	Difusor con la junta tórica y accesorios necesarios	Todo	R0445400
5	Sellos mecánicos (carbón y cerámica)	Todo	R0479400
6	Cuerpo, bomba	Todo	R0445601
7	Montaje de la base de soporte del motor, SHP	Todo	R0445700
8	Anillos de bloqueo (Con tapa y junta tórica)	Todo	R0445800
9	Canasta filtro	Todo	R0445900
10	Conexión, Drenaje (Juego de 2)	Todo	R0446000
11	Pieza de cola (2" x 2½") con tuerca de unión y junta tórica (juego de 2)	Todo	R0446101
12	Sello, Tapa	Todo	R0446200
13	Junta tórica azul de prueba	Todo	R0479000
14	Junta tórica, Placa posterior	Todo	R0446300
15	Junta tórica, pieza de cola (Juego de 2)	Todo	R0446400
16	Artículos necesarios del Difusor/Impulsor	Todo	R0446500
17	Artículos necesarios de la placa posterior con un juego de 8 tornillos y arandelas	Todo	R0446600
18	Artículos necesarios del motor un juego de 4 tornillos y arandelas	Todo	R0446700
19	Tornillos, Base de soporte del motor (Juego de 2)	Todo	R0446800
20	Cubierta, Control de velocidad (con accesorios), ePump, Motor Regal Beloit	Motor Regal Beloit	R0562300
21	Cubierta, Ventilador, 1-3 HP, Juego de reemplazo ePump, Motor Regal Beloit	Motor Regal Beloit	R0562400
22	Accesorios del control de velocidad, ePump, Motor Regal Beloit	Motor Regal Beloit	R0562500
23	Conector, Control de velocidad, ePump (4-Pin Conector de 4 pines) (No mostrado)	Todo	R0660900
24	Montaje del pasante del cable de datos	Todo	R0501100
25	Tornillo, caja eléctrica (Juego de 2)	Motor Regal Beloit	R0562600
26	Tornillo con junta tórica, autosellante.	Todo	R0515400
27	Cable, RS485, Juego de reemplazo	Todo	R0535100

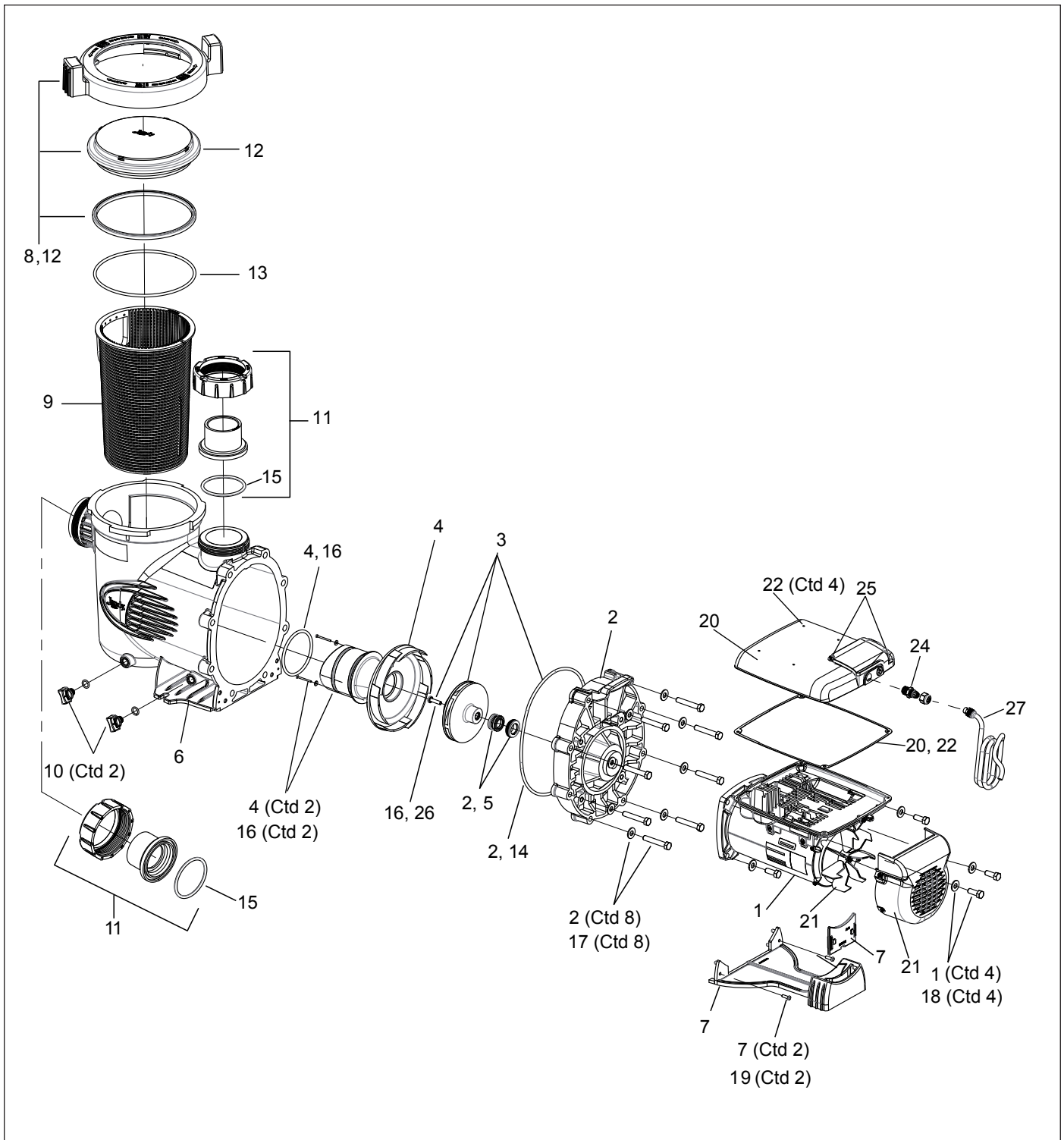
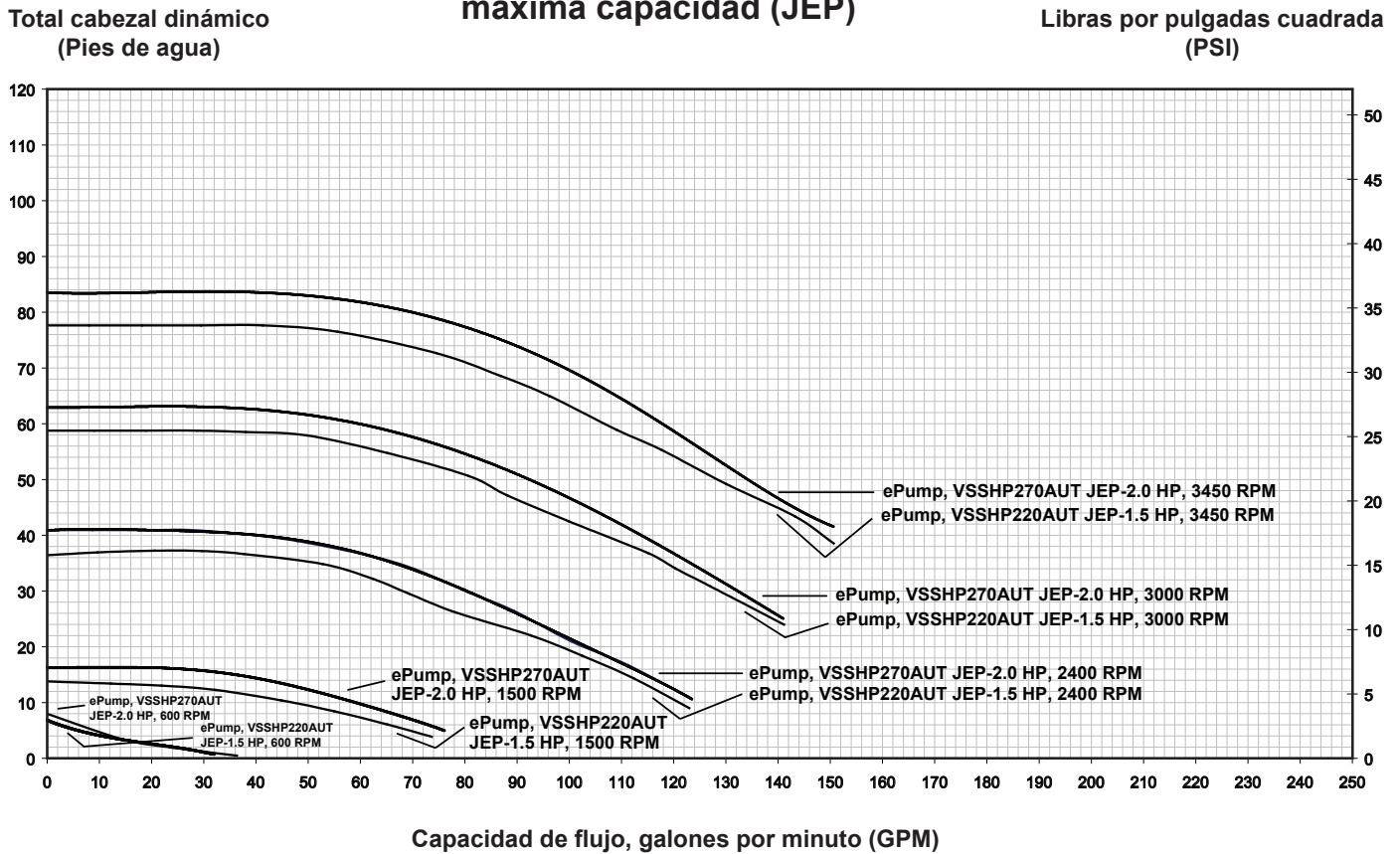


Figure 19. Plano de despiece ePump, Motor Regal Beloit

7.2 Curvas de rendimiento

Bombas serie ePump de alto cabezal maxima capacidad (JEP)

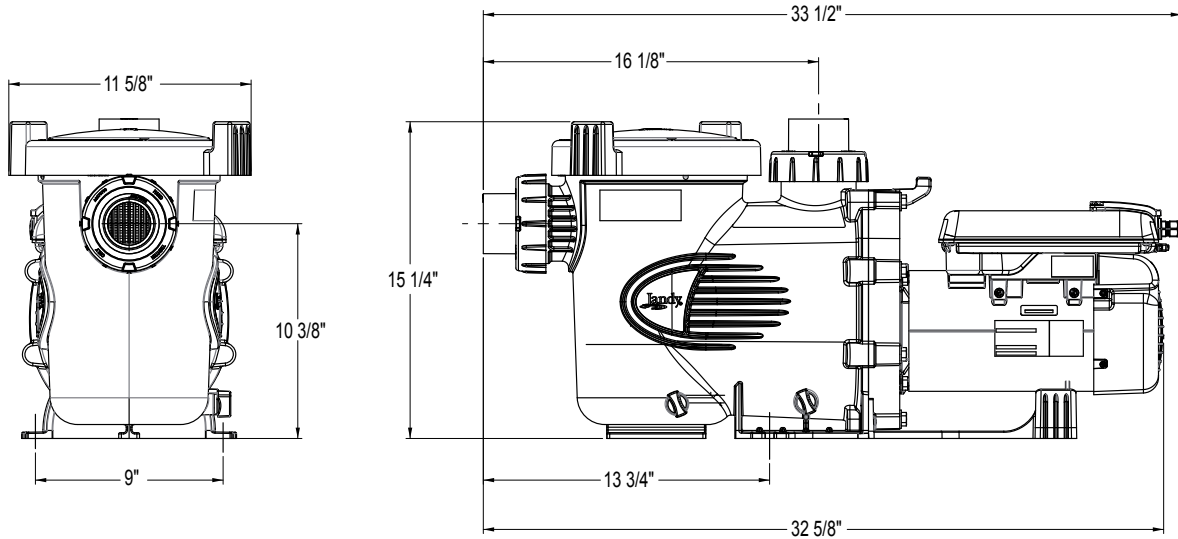


7.3 Especificaciones físicas y operacionales

7.3.1 Especificaciones

N° de modelo	HP	Voltaje	Vatios	Tamaño de la tubería	Peso de la caja	Longitud total
VSSHP270AUT JEP2.0, Motor Regal Beloit	0.25 - 2.7	230 VAC	2,400 W	2½ - 3"	26,9 kg.	33½"
VSSHP220AUT JEP1.5, Motor Regal Beloit	0.25 - 2.2	230 VAC	2,070 W	2½ - 3"	26,9 kg.	33½"

7.3.2 Dimensiones



NOTA Cuando se instale la bomba, dejar un mínimo de 0,61m de espacio libre por encima de la bomba para la extracción de la canasta del filtro

7.4 Guía de Reemplazo del motor

Modelo de bomba	Regal Beloit
VSSHP270AUT JEP2.0, Motor Regal Beloit	M48AA66D58
VSSHP220AUT JEP1.5, Motor Regal Beloit	M48AA81D58

NOTAS

NOTAS

Zodiac Pool Systems Canada, Inc.

2-3365 Mainway, Burlington, Ontario L7M 1A6
+ 1 (888) 647-4004 | www.ZodiacPoolSystems.ca

Zodiac Pool Systems LLC

2620 Commerce Way, Vista, CA 92081
1.800.822.7933 | www.ZodiacPoolSystems.com

©2017 Zodiac Pool Systems LLC. ZODIAC® es una marca registrada de Zodiac International, S.A.S.U., utilizada bajo licencia. Todas las marcas registradas mencionadas en este documento son propiedad de sus respectivos propietarios.

H0365700 Rev E



ETL LISTED
CONFORMS TO
UL STD 1081
CERTIFIED TO
CSA STD C22.2
NO. 108

