

PUMPS



Certified to NSF/ANSI/CAN 50



Intertek



VS FloPro with SpeedSet Controller

VS FloPro™ 3.8 HP VS Pump – 230V, 2-Aux Relays

- 3.80 HP, high head, 230V, 2-auxiliary relay pump with a compact footprint
- The two programmable auxiliary relays can be used to control up to two other pieces of equipment such as a salt chlorinator and booster pump
- Adjustable base included to align existing plumbing for drop-in replacement of Pentair® IntelliFlo® VS and VSF pumps
- 2" unions and 2" internal threaded ports
- 4-Speed Dry Contact Relay Control
- Zero-Clearance TEFC Motor for cool, quiet operation in tight spaces
- SpeedSet™ Controller included as a preinstalled option on model VSFHP3802AS

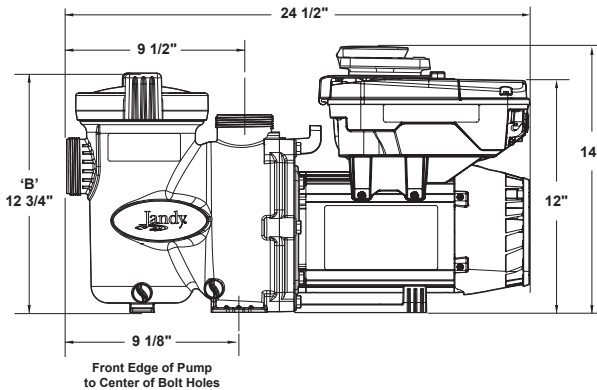
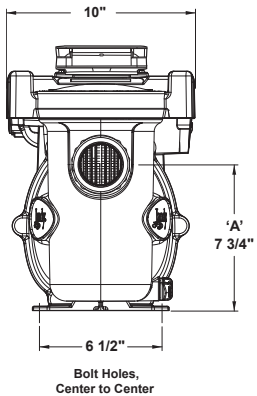
Part No.	Description
VSFHP3802A	VS FloPro 3.8 HP Variable-Speed Pump, 230 VAC, 2 Aux Relays, w/o Controller
VSFHP3802AS	VS FloPro 3.8 HP Variable-Speed Pump, 230 VAC, 2 Aux Relays, w/ SpeedSet Controller

Siemens® QFP or QF series GFCI breakers offer 5 millamp personal protection while meeting 2008 to current NEC® standards for pool pumps.

Specifications and Dimensions

MODEL NO.	THP	WEF	VOLTAGE	WATTS	AMPS	AUX. RELAYS	AUX. RELAY RATING	REC'D PIPE SIZE	CARTON WEIGHT	OVERALL LENGTH
VSFHP3802A(S)	3.80	6.0	230 VAC	3,250 W	16.0	2	115V/230V 11 AMP MAX	2 – 3"	57 lbs.	24 1/2"

When installing the pump, leave a minimum of 2 ft. of clearance above the pump for removal of strainer basket.

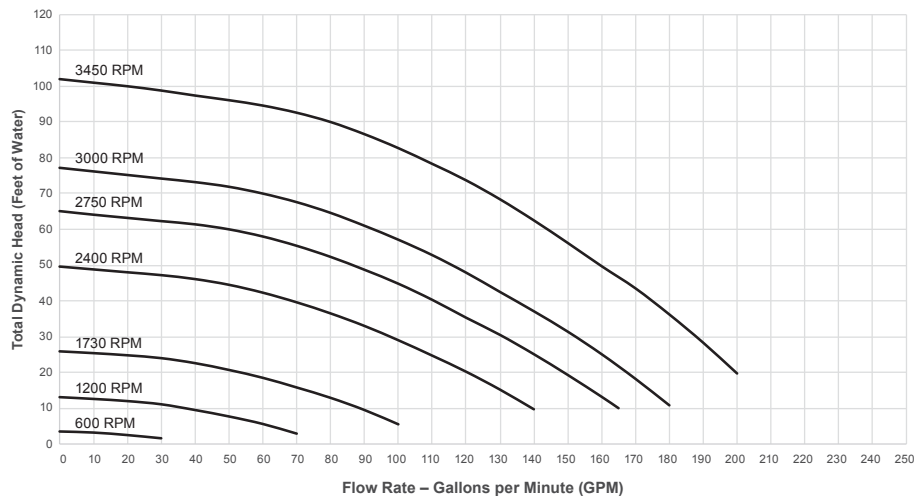


Base Options

Base	Fits	'A' Dimension	'B' Dimension
No Base	Hayward® Super Pump®, Pentair® SuperFlo®, Sta-Rite® SuperMax®	7 3/4"	12 3/4"
Small Base	Hayward Super II™, Jandy® PlusHP and MaxHP™	8 7/8"	13 7/8"
Small Base w/ Spacers	Pentair IntelliFlo VSF and WhisperFlo®, Sta-Rite Dyna-Glas™	9 1/8"	14 1/8"
Small Base + Large Base	Sta-Rite Max-E-Pro®, Sta-Rite Dura-Glas®, Sta-Rite Dura-Glas II, Sta-Rite Max-E-Glas®	10 3/4"	15 3/4"

Small base with spacers included with every VS FloPro pump. Large base is optional Part No. R0546400.

Pump Curves



VS FloPro™ 3.80 HP VS Pump - 230V, 2-Aux Relays (Mfg. 2023–Present)

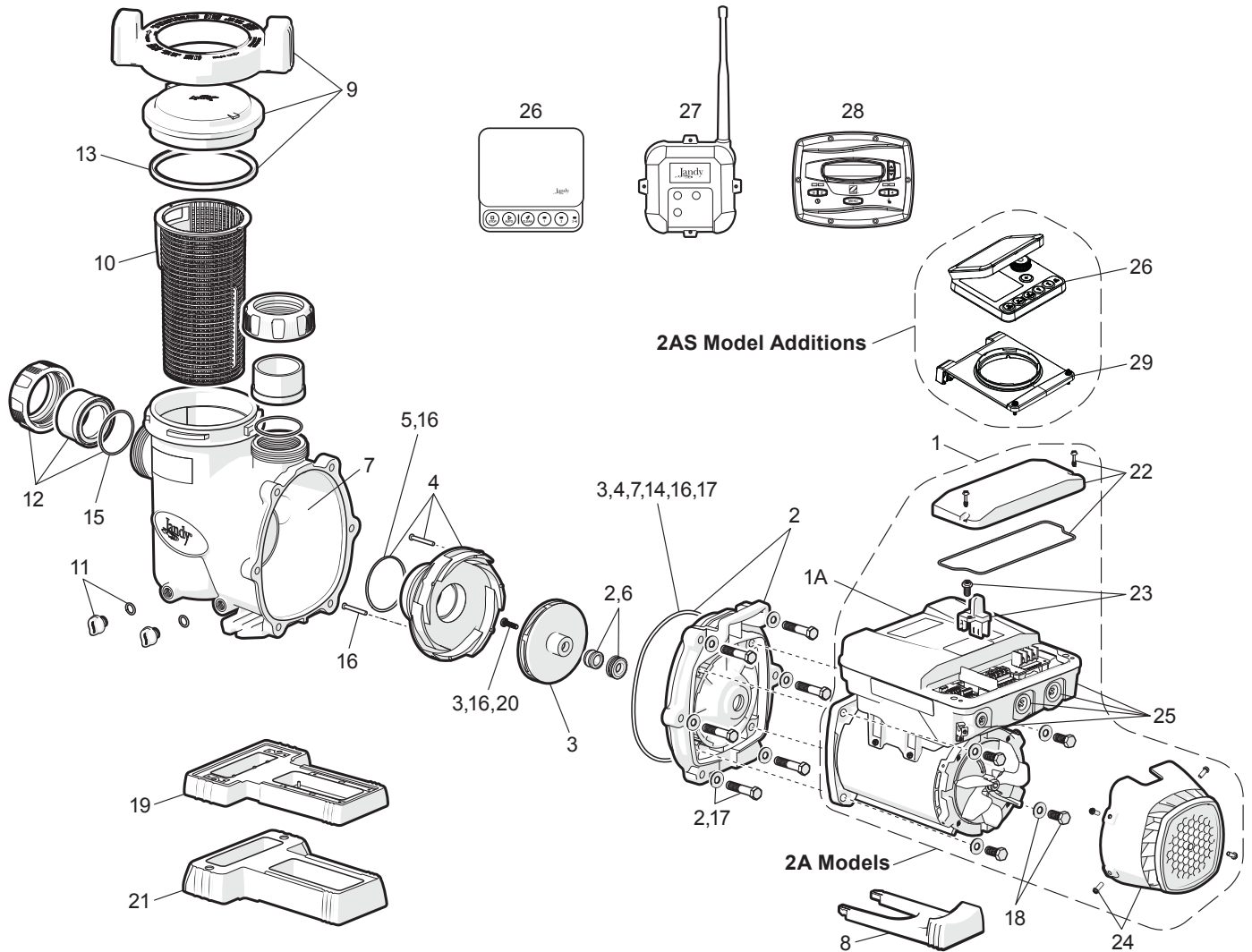
Part No. VSFHP3802A(S)

Key No.	Part No.	Description	Qty.
1	R0937400	Motor and Drive, 3.8 HP 2A Series Models	1
1A	R0974403	VS Drive Only, 3.8 2A Series Models	1
2	R0479500	Backplate Replacement Kit (Backplate, Mounting Bolts/Washers (6), Backplate O-Ring, Mechanical Seal)	1
3	R0808301	Impeller Kit (Impeller, Screw w/ O-Ring, Backplate O-Ring)	1
4	R0842500	Diffuser Kit (Diffuser w/ O-Ring, Mounting Screws (2), Backplate O-Ring)	1
5	R0622000	Diffuser O-Ring	1
6	R0479400	Mechanical Seal, Carbon and Ceramic	1
7	R0479800	Pump Body (Body and Backplate O-Ring)	1
8	R0479900	Motor Mounting Foot	1
9	R0480000	Lid Assembly (Lid, Locking Ring, O-Ring)	1
10	R0480100	Filter Basket	1
11	R0446000	Drain Plug w/ O-Ring (Set of 2)	2
12	R0327301	Tailpiece (2"), Union Nut, O-Ring	2
13	R0480200	Lid O-Ring	1
14	R0480300	Backplate O-Ring	1
15	R0337600	Tailpiece O-Ring (2)	2

Key No.	Part No.	Description	Qty.
16	R0480400	Impeller/Diffuser Hardware Kit (Impeller Mounting Screw, Diffuser Mounting Screw (2), Backplate O-Ring, Diffuser O-Ring)	Kit
17	R0480500	Backplate Hardware Kit (Mounting Bolts/Washers (6), Backplate O-Ring)	Kit
18	R0446700	Motor Mounting, Bolts/Washers	4
19	R0486700	Small Adjustable Base with Spacers	1
20	R0515400	Impeller Mounting Screw w/ O-Ring	1
21	R0546400	Large Adjustable Base, FloPro Pumps	1
22	R0851400	Wiring Compartment Lid, Gasket, Mounting Screws (2)	1
23	R0851500	RS485 Access Cover, Retaining Screw	1
24	R0851600	Fan Shroud, Mounting Screws (4)	1
25	R0917100	Wiring Port Plugs	4

VS PUMP CONTROLLER OPTIONS

26	SPEEDSET	SpeedSet™ Variable-Speed Pump Controller (Includes Wall Mount)	Kit
27	iQPUMP01	iAquaLink® App Controllable Variable-Speed Pump Controller	1
28	JEP-R	Variable-Speed Pump Controller	1
29	R0925100	SpeedSet Mount, DV2A(S) and 2A(S) Pumps	Kit



©2023 Zodiac Pool Systems LLC. All rights reserved. Zodiac® is a registered trademark of Zodiac International, S.A.S.U. used under license. All other trademarks referenced herein are the property of their respective owners. 55509_SA

NEW!



Certified to NSF/ANSI/CAN 50

Intertek



ePump with SpeedSet Controller

ePump™ 3.8 HP VS Pump – 230V, 2-Auxiliary Relays

High-end pools require powerful pumps. With 24% more hydraulic performance than our 2.7 HP ePump model, the Jandy® ePump 3.8 HP is a low-maintenance, variable-speed pool pump supporting a wide range of applications.

- Power all your pool's features — from negative edge pools to waterfalls and spa jets
- Quickly set up and program the ePump using the optional SpeedSet™ Controller
- Largest-capacity, smooth-surface basket in the industry for reduced maintenance and improved performance
- Two programmable auxiliary relays control other pool equipment, like booster pumps and salt chlorinators, without added timeclocks
- Offers easy integration with Jandy AquaLink® automation systems and the industry's highest-rated pool control app iAquaLink®
- 2.5" x 3" unions included for less restriction in high flow situations and easy installation and maintenance

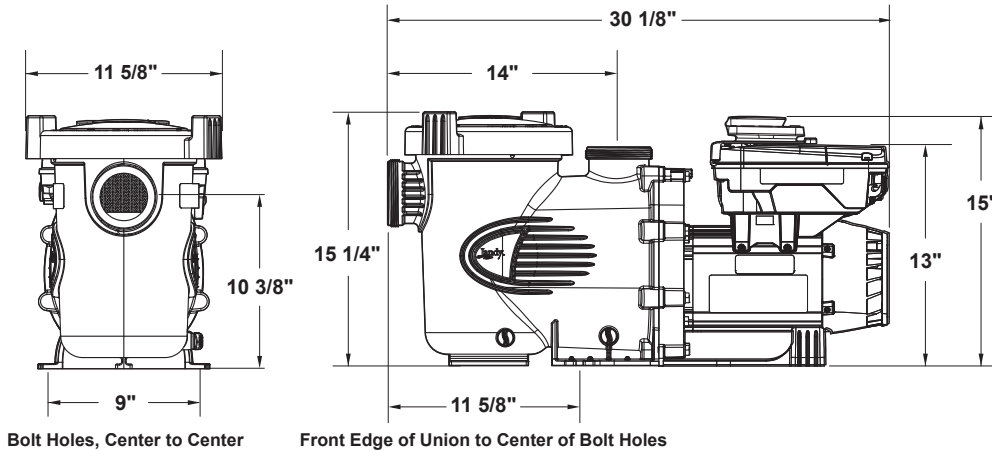
Part No.	Description
VSSH3802A	ePump 3.8 HP Variable-Speed Pump, 230 VAC, 2 Aux Relays, w/o Controller
VSSH3802AS	ePump 3.8 HP Variable-Speed Pump, 230 VAC, 2 Aux Relays, w/ SpeedSet Controller

Siemens® QFP or QF series GFCI breakers offer 5 milliamp personal protection while meeting 2008 to current NEC® standards for pool pumps.

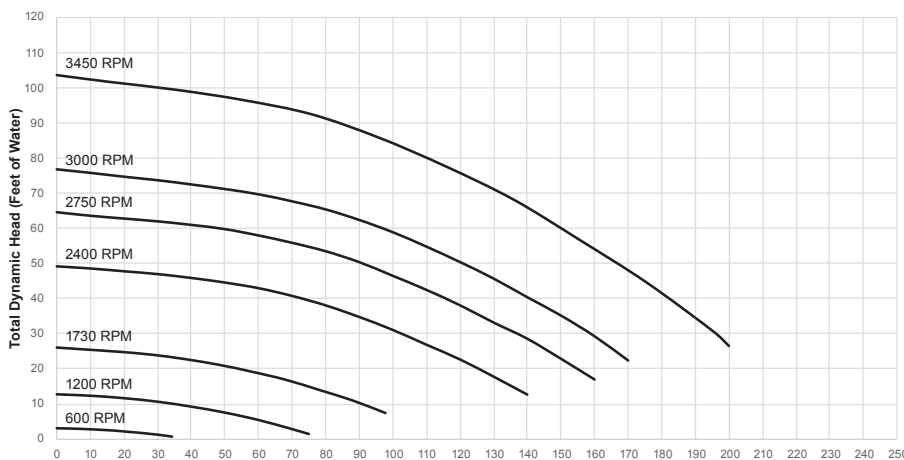
Specifications and Dimensions

MODEL NO.	THP	WEF	VOLTAGE	WATTS	AMPS	AUX. RELAYS	AUX. RELAY RATING	REC'D PIPE SIZE	CARTON WEIGHT	OVERALL LENGTH
VSSH3802A(S)	3.80	6.5	230 VAC	3,120 W	16.0	2	115V/230V 11 AMP MAX	2.5–3"	70 lbs.	30 1/8"

When installing the pump, leave a minimum of 2 ft. of clearance above the pump for removal of strainer basket.



ePump (VSSH) Pump Curves – VSSH380DV2A(S)

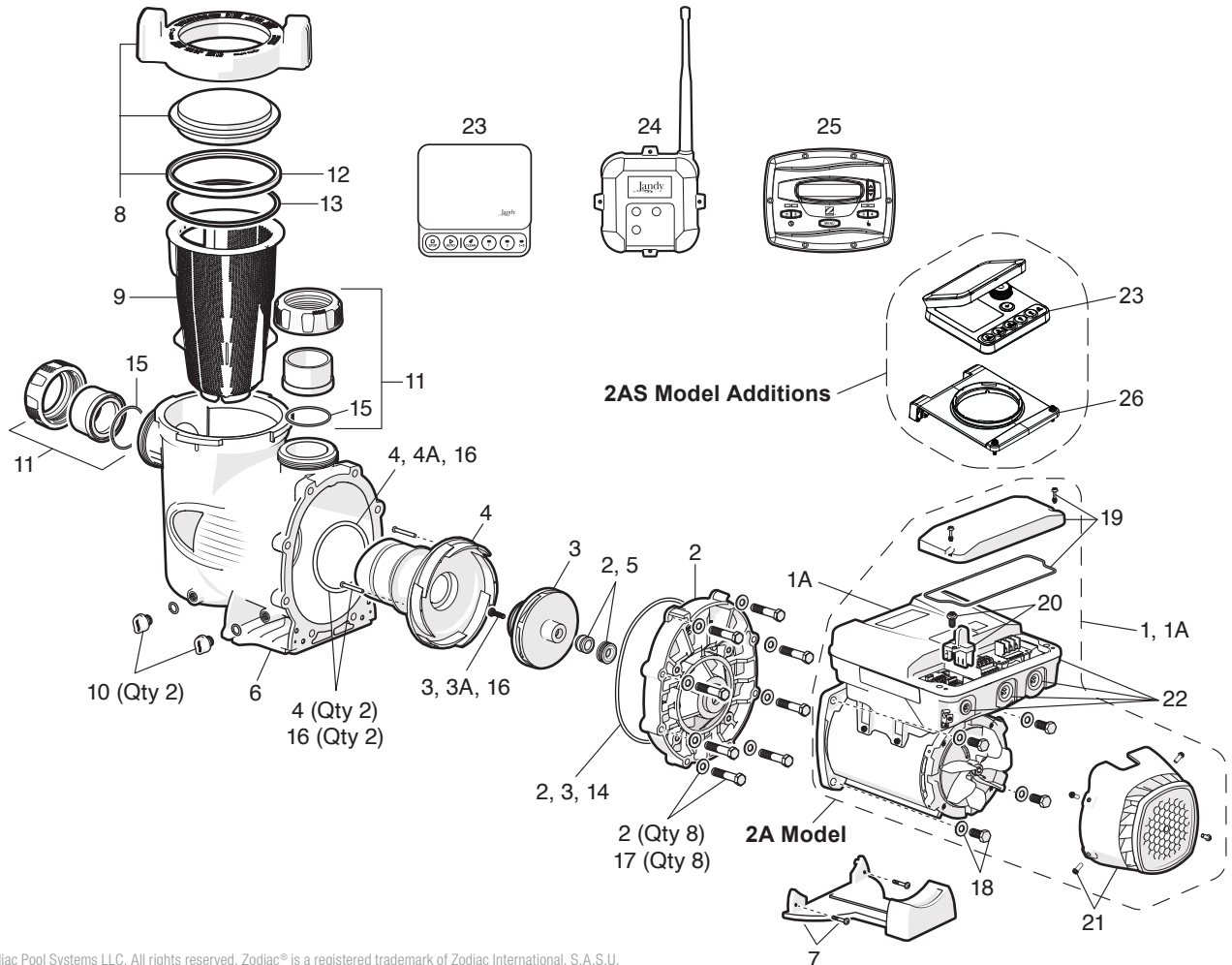


ePump™ 3.8 VS Pump – 230V, 2-Auxiliary Relays (Mfg. 2023–Present)

Part No. VSSH3802A(S)

Key	Part No.	Description	Qty.
1	R0937400	Motor/Drive, 3.8 HP 2A Series Models	1
1A	R0974403	Drive Only, 3.8 HP 2A Series Models	1
2	R0445200	Backplate, JEP	1
		Mechanical Seal, Carbon	1
		Mechanical Seal, Ceramic	1
		O-Ring	1
		Bolts	8
		Washers	8
3	R0807205	Impeller w/ Screw, Backplate O-Ring	1
3A	R0515400	Screw w/ O-Ring, Self-Sealing	1
4	R0445400	Diffuser w/ O-Ring and Hardware	1
4A	R0622000	Diffuser O-Ring	1
5	R0479400	Mechanical Seal, Carbon	1
		Mechanical Seal, Ceramic	1
6	R0445601	Body, Pump JEP	1
7	R0445700	Motor Mounting Foot Assembly	1
		SHP/JEP Screws	2
8	R0445800	Locking Ring	1
		Lid	1
		O-Ring	1
9	R0445900	Filter Basket	1
10	R0446000	Plug, Drain	2
		O-Ring	2
11	R0446102	Tailpiece (2.5" x 3")	2
		Union Nut	2
		O-Ring	2
12	R0446200	Seal, Lid	1

Key	Part No.	Description	Qty.
13	R0479000	Blue Pressure O-Ring	1
14	R0446300	O-Ring, Backplate	1
15	R0446400	O-Ring, Tailpiece (Set of 2)	2
		Diffuser/Impeller Hardware	
		Screw w/ O-Ring, Self-Sealing	1
16	R0446500	Impeller Mounting Screw	2
		Diffuser Mounting Washer	2
		Diffuser Mounting O-Ring	2
		Backplate Hardware	
17	R0446600	Bolts	8
		Washers	8
		Motor Hardware	
18	R0446700	Bolts	4
		Washers	4
19	R0851400	Wiring Compartment Lid, Gasket, Mounting Screws (2)	
20	R0851500	RS485 Access Cover, Retaining Screw	
21	R0851600	Fan Shroud, Mounting Screws (4)	
22	R0917100	Wiring Port Replacement Kit, Complete Set (4)	1
VS PUMP CONTROLLER OPTIONS			
23	SPEEDSET	SpeedSet™ Variable-Speed Pump Controller (Includes Wall Mount)	Kit
24	iQPUMP01	iAqualink® App Controllable Variable-Speed Pump Controller	1
25	JEP-R	Variable-Speed Pump Controller	1
26	R0925100	SpeedSet Mounting Kit, DV2A(S) Pumps	Kit



©2023 Zodiac Pool Systems LLC. All rights reserved. Zodiac® is a registered trademark of Zodiac International, S.A.S.U. used under license. All other trademarks referenced herein are the property of their respective owners. 55509_SA