

JE SERIES
HEAT PUMP



Jandy®

**PREMIUM
PERFORMANCE,
RELIABILITY
& EFFICIENCY**



JE HEAT PUMP

High Performance, Energy Efficient Pool/Spa Heating

The Jandy JE line of premium heat pumps delivers maximum energy efficiency and reliability. JE Heat Pumps absorb free heat from the air and transfer it to the water, making the heating process ecological and cost effective.

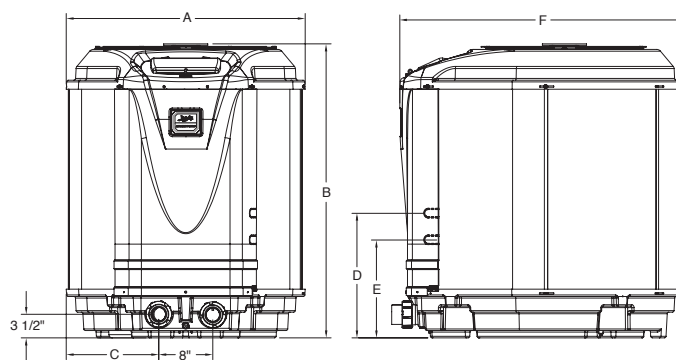
- Ultra Efficient**
 Featuring a premium titanium heat exchanger, JE Heat Pumps provide superior hydraulic flow for maximum energy savings.
- Superior Control**
 Easy to operate Dual Thermostats (Pool/Spa).
- User-Friendly**
 Features an advanced digital control to enable self-diagnostics, multilingual options and an auto-heat feature. The auto-heat feature, when used in conjunction with AquaLink® control systems, maintains your pool's temperature automatically and efficiently all day.
- Automation**
 JE Heat Pumps are iAquaLink compatible so you can adjust the temperature of your pool or spa from your smartphone, tablet, or other web-enabled device (purchased separately).
- Versa Plumb® Ready**
 All JE Heat Pumps are Versa Plumb ready, allowing for 50% more hydraulic efficiency resulting in maximum energy savings.¹
- Versatile**
 Three standard models available
 - > JE1500T
 - > JE2000T
 - > JE2500T
 3-Phase model available. Also available, JE3000T, an ultra-premium model featuring optional chiller mode.
- Includes 2 and 2 1/2" Unions**
- Environmentally Friendly**
 (410A Refrigerant)

iAquaLink™
COMPATIBLE



Easy to Use Digital Controller

DIMENSIONS



| MODEL | DIMENSIONS | | | | | |
|---------------|------------|-----|---------|-----|-----|-----|
| | A | B | C | D | E | F |
| JE1500T | 33" | 34" | 12 1/2" | 9" | 7" | 39" |
| JE2000T/2500T | 36" | 40" | 13 7/8" | 19" | 15" | 43" |

SPECIFICATIONS

| | JE1500T | JE2000T | JE2500T | JE2500T3 |
|--|-----------------------|--------------------|--------------------|--------------------|
| Output² (BTUs) | 70,000 | 96,000 | 110,000 | 110,000 |
| Input² (kW) | 3.83 | 5.03 | 5.34 | 5.34 |
| COP² | 5.4 | 5.8 | 5.8 | 5.8 |
| Output³ (BTUs) | 67,000 | 92,000 | 106,000 | 106,000 |
| COP³ | 5.2 | 5.7 | 5.6 | 5.6 |
| Output⁴ (BTUs) | 46,000 | 64,000 | 74,000 | 74,000 |
| COP⁴ | 4.0 | 4.0 | 4.0 | 4.0 |
| Voltage | 230v/60Hz | 230v/60Hz | 230v/60Hz | 208/230v/60Hz/3 |
| Minimum Circuit Ampacity | 31.65 | 40.21 | 41.81 | 30.76 |
| Max Over Current Protection⁵ | 50 | 60 | 60 | 45 |
| LRA | 153 | 178 | 148 | 164 |
| RLA | 23.72 | 30.77 | 32.05 | 23.21 |
| Compressor | Scroll | Scroll | Scroll | Scroll |
| Heat Exchanger | Titanium Tube-in-Tube | Titanium High Flow | Titanium High Flow | Titanium High Flow |
| Optimal Water Flow (GPH) | 30 | 42 | 48 | 48 |
| Minimum Water Flow (GPH) | 20 | 20 | 20 | 20 |
| Maximum Water Flow (GPH) | 70 | 70 | 70 | 70 |
| Weight (lbs.) | 175 | 220 | 223 | 223 |

¹ Comparison is between Jandy Versa Plumb System using a Jandy Pump, Versa Plumb Filter, JE Heat Pump, AquaPure® Salt System, and Never Lube® valves with sweep elbows, versus competitors' equipment using comparable pump, filter, heater, sanitizer and valves.

² Rated in accordance with AHRI Standard 1160; Test Conditions: 80°F Air, 80% RH, 80°F Water

³ Rated in accordance with AHRI Standard 1160; Test Conditions: 80°F Air, 63% RH, 80°F Water

⁴ Rated in accordance with AHRI Standard 1160; Test Conditions: 50°F Air, 63% RH, 80°F Water

⁵ Max Over Current Protection refers to the maximum breaker size allowed. If this value is not a standard breaker size, use the next smallest standard breaker size. The breaker size must not be smaller than the Minimum Circuit Ampacity value.