

VS FLOPRO 3.8 HP
2-AUX RELAY VS PUMP



Jandy®

SUPERIOR POWER. SUPERIOR PERFORMANCE.



OFFICIAL
POOL
EQUIPMENT
SUPPLIER



VS FLOPRO™
VARIABLE-SPEED PUMP

Save on energy costs and do more with a single pump.

Our smallest pump series packs a powerful punch while accommodating large pools and spas. Boasting 12%¹ greater hydraulic performance than other pumps in its class, the Jandy® VS FloPro™ 3.8 HP pump effortlessly powers multiple features.

- Drop-In Replacement up to 3.95 Horsepower**
 Included adjustable base allows for exact alignment with critical plumbing dimensions for easy aftermarket replacement of popular Pentair® and Hayward® single-speed and variable-speed pumps up to 3.95 horsepower.
- Powerful Performance**
 The all-new VS FloPro 3.8 HP pump generates higher head pressure and flow rates to accommodate large pool and spa designs with features such as waterfalls, spa jets, in-floor cleaning and solar heating systems.
- Fast, Simple Setup**
 The optional preinstalled SpeedSet™ Controller makes the optional pump setup, programming and maintenance a breeze.
- Two Programmable Auxiliary Relays**
 Two programmable² auxiliary relays can be used to safety-interlock and power other pool equipment, such as a booster pump and salt chlorinator, for easier installation and operation. No need for additional timeclocks!



- Choose Your Own Controller**
 Designed to work with the following Jandy control systems for complete programmability and customization:
 - SpeedSet Controller (included and preinstalled from factory on all 2AS models)
 - iQPUMP01 with iAquaLink® App Control
 - Jandy AquaLink® Automation Systems
 - JEP-R Controller
- Additional Features**
 Zero Clearance TEFC Motor for cool, quiet operation in tight spaces
 - 2" unions included or utilize 2" internal threads
 - Easy Controller Setup auto detects connection to an automation system or a traditional controller, eliminating the need to adjust settings manually
 - RS485 Quick Connect Port for faster installation and maintenance
 - Four-Speed Dry Contact Relay Control
 - Tool-free lid for easy debris removal
 - Ergonomic easy-transport handle

MODELS

Model No.	Description
VSFHP380ZAS	VS FloPro 3.8 HP, SpeedSet Controller Preinstalled
VSFHP380ZA	VS FloPro 3.8 HP, Controller Sold Separately

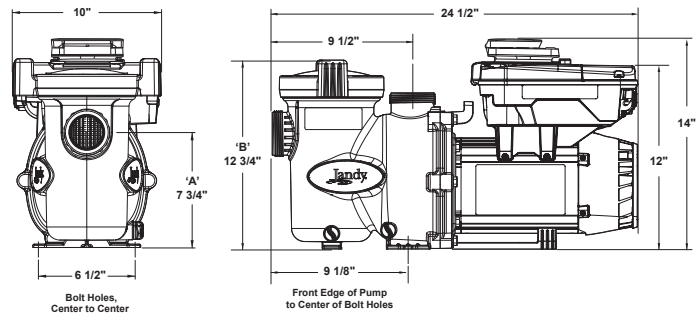
SPECIFICATIONS

Model No.	THP	WEF ³	Voltage	Max Watts	Max Amps	Union Size	Rec. Pipe Size ⁴	Carton Weight	Overall Length
VSFHP380ZA(S)	3.80	6.0	208-230 VAC	3,250W	16.0	2"	2.5" - 3"	53 lbs.	24 1/2"

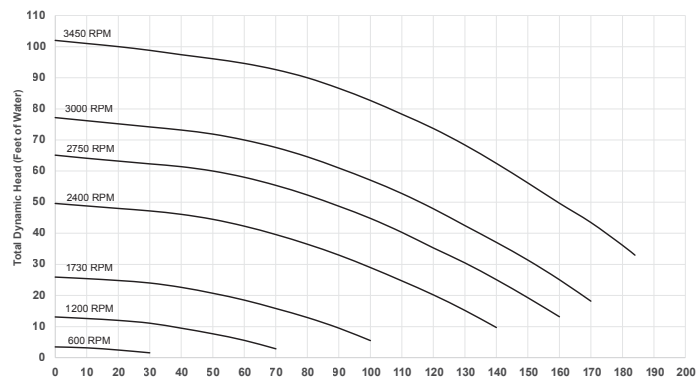
ADJUSTABLE BASE CONFIGURATIONS⁵

Base	Fits	'A' Dimension	'B' Dimension
No Base	Hayward® Super Pump®, Pentair® SuperFlo®, Sta-Rite® SuperMax®	7 3/4"	12 3/4"
Small Base	Hayward Super II™, Jandy PlusHP and MaxHP™	8 7/8"	13 7/8"
Small Base w/ Spacers	Pentair WhisperFlo® and IntelliFlo® VSF, Sta-Rite Dyna-Glas™	9 1/8"	14 1/8"
Small Base + Large Base	Sta-Rite Max-E-Pro®, Sta-Rite Dura-Glas®, Sta-Rite Dura-Glass II, Sta-Rite Max-E-Glas®	10 3/4"	15 3/4"

DIMENSIONS



PERFORMANCE



¹Hydraulic Horsepower of Jandy VS FloPro 3.8 compared to Pentair IntelliFlo VSF as measured on system curve C at 3450 RPM.

²Auxiliary relays on all Jandy 2A and 2AS pump models are programmable when paired with a Jandy SpeedSet or iQPUMP01 variable-speed pump controller.

³WEF = weighted energy factor in kgal/kWh. WEF is a performance-based metric adopted by the Department of Energy to characterize the energy performance of dedicated-purpose pool pumps. Department of Energy 10 CFR Parts 429 and 431.

⁴Always follow local building and safety codes for pipe sizing and guidelines.

⁵Small base with spacers included with all FloPro pumps. Large base is optional part R0546400.