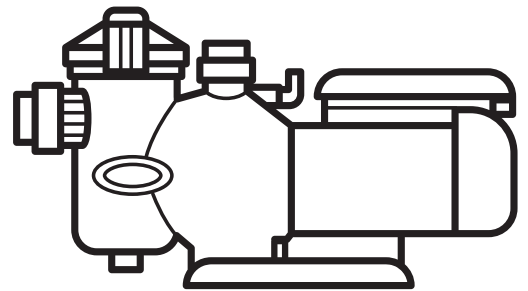


FLUIDRA

2023 CATALOG

**Jandy® Dual Voltage Series
VS Pumps Addendum**





TRADE SERIES
EXCLUSIVE



Certified to
NSF/ANSI CAN 50



Intertek



ENERGY STAR

VS FloPro



SpeedSet Controller Preinstalled on
Model VSFHP130DVS

VS FloPro™ 1.3 HP VS Pump – 115V/230V

The Jandy® VS FloPro™ 1.3 HP makes no compromises when it comes to performance. With a compact size and installation-friendly features, it can be used as a filtration pump, to power basic water features, or as the ideal replacement for older single-speed pumps.

- Optional preinstalled SpeedSet™ controller with FlyWheel™ Navigation makes programming a breeze
- Auto-sensing 115V/230V operation with identical hydraulic performance at both
- Included adjustable base enables precise alignment with existing plumbing dimensions
- Ideal replacement for high energy-consuming single-speed pumps

Additional Features

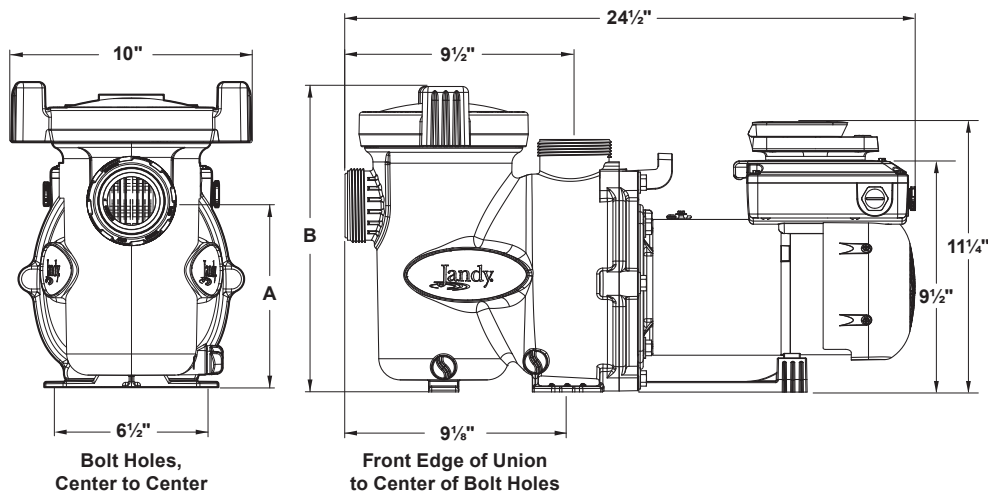
- Small footprint with a compact-sized wet end (24.5")
- 2" unions included or utilize 2" internal threads
- Easy Controller Setup auto-detects connection to an automation system or controller, eliminating the need to adjust settings manually
- Tool-free lid for easy debris removal
- Tool-free drain plugs for winterization
- Ergonomic easy-transport handle
- Totally Enclosed Fan Cooled Motor (TEFC) extends motor life
- Trade Series Exclusive
- 3-Year limited warranty

Part No.	Description
VSFHP130DV	VS FloPro 1.3 HP Variable-Speed Pump, 115/230 VAC, w/o Controller
VSFHP130DVS	VS FloPro 1.3 HP Variable-Speed Pump, 115/230 VAC, w/ SpeedSet Controller

Specifications and Dimensions

Variable-Speed Pumps									
Model No.	THP	WEF	Voltage	Watts	Amps	Union Size	Recommended Pipe Size	Weight	Overall Length
VSFHP130DV(S)	1.30	11.0 10.9	230 VAC 115 VAC	1100	8.6 15.6	2"	1 1/2" - 2"	39.3 lb [17.8kg]	24 1/2"

When installing the pump, leave a minimum of 2 ft. of clearance above the pump for removal of strainer basket.

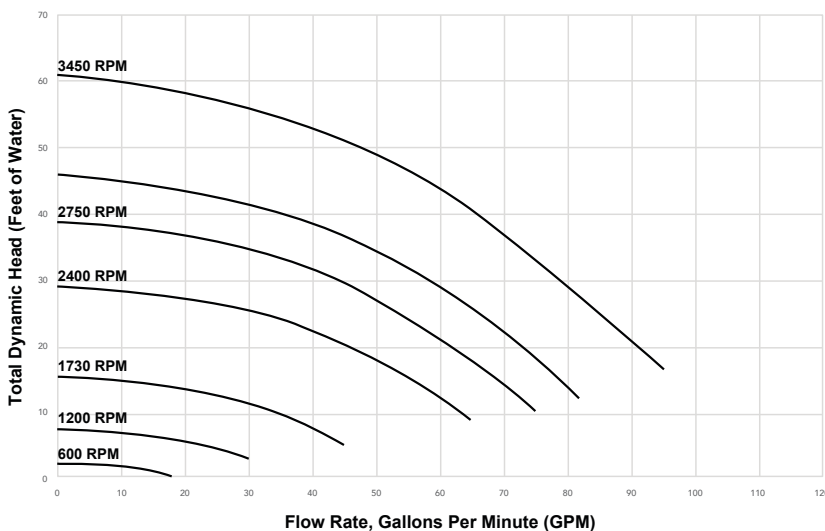


Base Options

Base	Fits	'A' Dimension	'B' Dimension
No Base	Hayward® Super Pump®, Pentair® SuperFlo®, Sta-Rite® SuperMax®	7 3/4"	12 3/4"
Small Base	Hayward Super II™, Jandy® PlusHP and MaxHP™ pumps	8 7/8"	13 7/8"
Small Base w/ Spacers	Pentair WhisperFlo®, Sta-Rite Dyna-Glas™	9 1/8"	14 1/8"
Small Base + Large Base	Sta-Rite Max-E-Pro®, Sta-Rite Dura-Glas®, Sta-Rite Dura-Glas II, Sta-Rite Max-E-Glas®	10 3/4"	15 3/4"

Small base with spacers included with every VS FloPro pump. Large base is optional Part No. R0546400.

VSFHP130DV(S) Pump Curves





TRADE SERIES
EXCLUSIVE



VS FloPro



SpeedSet Controller Preinstalled on Model VSFHP165DVS

Jandy® VS FloPro™ 1.65 HP VS Pump – 115V/230V

Providing the perfect balance of hydraulic performance and value, the VS FloPro™ 1.65 HP is a full-featured variable-speed pump offering superior energy savings and easy installation when replacing single-speed pumps up to 1.5 HP.

- Ideal for use as a filtration pump on small to medium-sized pools or water features
- An affordable, full-featured variable speed pump that combines performance with programmability
- Auto-sensing 115V/230V operation with identical hydraulic performance on both
- Fast programming setup and maintenance with the optional, preinstalled SpeedSet™ Controller with FlyWheel™ Navigation
- Adjustable base for seamless direct drop-in replacement of a variety of other pumps

Additional Features

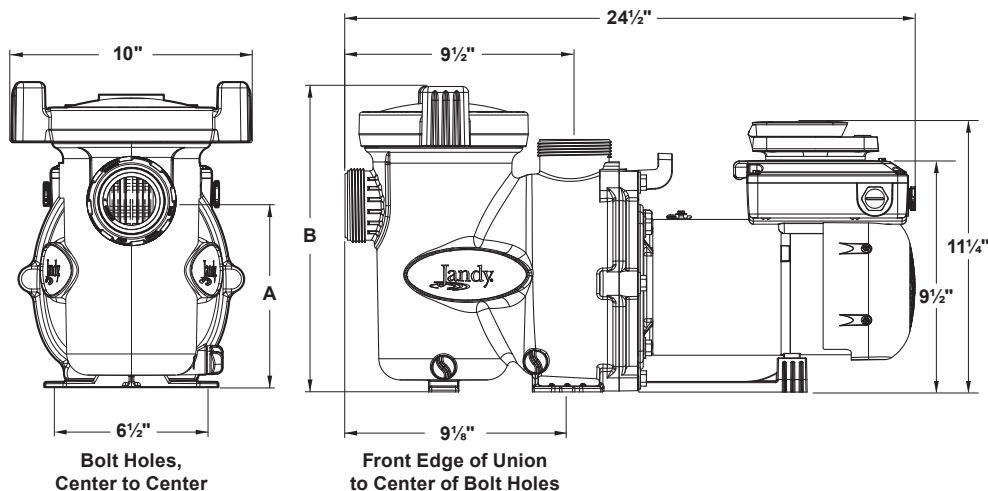
- Compatible with all Jandy AquaLink® automation systems, iQPUMP01, or use the optional preinstalled SpeedSet™ Controller
- Small footprint with a compact-sized wet end (24.5")
- 2" unions included or utilize 2" internal threads
- Easy Controller Setup auto-detects connection to an automation system or controller, eliminating the need to adjust settings manually
- Ergonomic features include a tool-free lid for easy debris removal, tool-free drain plugs for winterization and a convenient carry handle.
- Trade Series Exclusive
- 3-Year limited warranty

Part No.	Description
VSFHP165DV	VS FloPro 1.65 HP Variable-Speed Pump, 115/230 VAC, w/o Controller
VSFHP165DVS	VS FloPro 1.65 HP Variable-Speed Pump, 115/230 VAC, w/ SpeedSet Controller

Specifications and Dimensions

Variable-Speed Pumps									
Model No.	THP	WEF	Voltage	Watts	Amps	Union Size	Recommended Pipe Size	Weight	Overall Length
VSFHP165DV(S)	1.65	9.0 9.1	230 VAC 115 VAC	1700	10.5 17.7	2"	1 1/2" - 2"	39.3 lb [17.8kg]	24 1/2"

When installing the pump, leave a minimum of 2 ft. of clearance above the pump for removal of strainer basket.

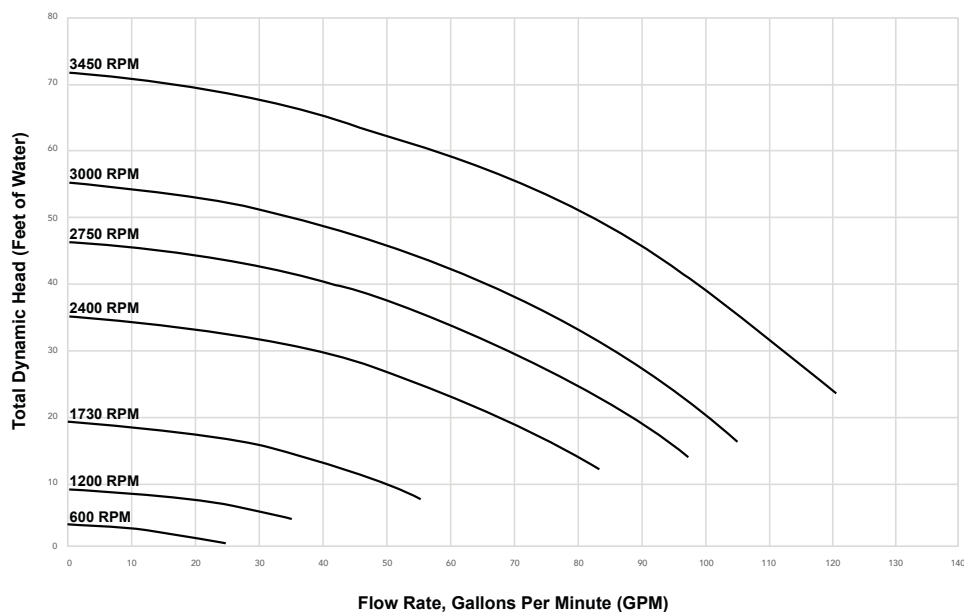


Base Options

Base	Fits	'A' Dimension	'B' Dimension
No Base	Hayward® Super Pump®, Pentair® SuperFlo®, Sta-Rite® SuperMax®	7 3/4"	12 3/4"
Small Base	Hayward Super II™, Jandy® PlusHP and MaxHP™ pumps	8 7/8"	13 7/8"
Small Base w/ Spacers	Pentair WhisperFlo®, Sta-Rite Dyna-Glas™	9 1/8"	14 1/8"
Small Base + Large Base	Sta-Rite Max-E-Pro®, Sta-Rite Dura-Glas®, Sta-Rite Dura-Glas II, Sta-Rite Max-E-Glas®	10 3/4"	15 3/4"

Small base with spacers included with every VS FloPro pump. Large base is optional Part No.R0546400.

VSFHP165DV(S) Pump Curves





TRADE SERIES
EXCLUSIVE



Certified to
NSF/ANSI CAN 50



Intertek



ENERGY STAR

VS FloPro



SpeedSet Controller Preinstalled on
Model VSFHP185DVS

Jandy® VS FloPro™ 1.85 HP VS Pump – 115V/230V

A full-featured 1.85 HP variable-speed pump that delivers on price and value, the VS FloPro 1.85 is the perfect replacement for single-speed pumps up to 1.5 HP.

- Perfect for use as a filtration pump on medium-sized pools or to drive small- to medium-sized water features
- An affordable, full-featured variable speed pump that doesn't compromise on performance or programmability
- Designed for simple setup to automation systems like AquaLink® or use with optional preinstalled SpeedSet™ Controller
- Save up to \$850 per year in energy costs*

Additional Features

- Auto-sensing 115V/230V operation
- Adjustable base for seamless direct drop-in replacement of a variety of other pumps
- Small footprint with a compact-sized wet end (24.5")
- 2" unions included as well, or utilize 2" internal threads
- Easy Controller Setup auto-detects connection to an automation system or controller, eliminating the need to adjust settings manually
- Ergonomic features include a tool-free lid for easy debris removal, tool-free drain plugs for winterization and a convenient carry handle
- Trade Series Exclusive
- 3-Year limited warranty

*Based on a 22,500 gallon pool with two turnovers per day at an energy cost of \$0.195/kWh vs. comparable single speed pumps; when tested in accordance with the applicable requirements of 10 CFR 429

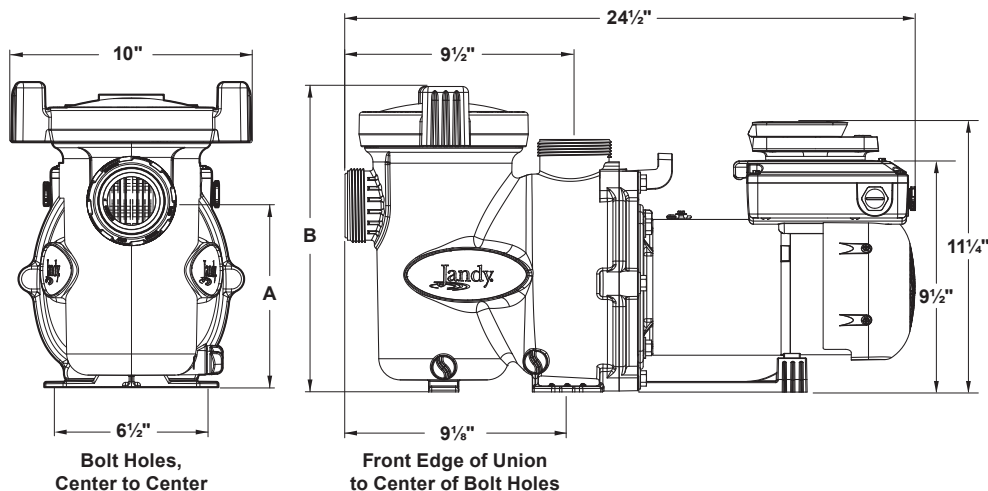
Part No.	Description
VSFHP185DV	VS FloPro 1.85 HP Variable-Speed Pump, 115/230 VAC, w/o Controller
VSFHP185DVS	VS FloPro 1.85 HP Variable-Speed Pump, 115/230 VAC, w/ SpeedSet Controller

Specifications and Dimensions

Variable-Speed Pumps									
Model No.	THP	WEF	Voltage	Watts	Amps	Union Size	Recommended Pipe Size	Weight	Overall Length
VSFHP185DV(S)	1.85 HP*	8.2 8.6	230 VAC 115 VAC	1875	13.5 17.4	2"	2"	40.4 lb [18.3kg]	24 1/2"

* 1.85 HP × 1.215 SF = 2.25 THP

When installing the pump, leave a minimum of 2 ft. of clearance above the pump for removal of strainer basket.

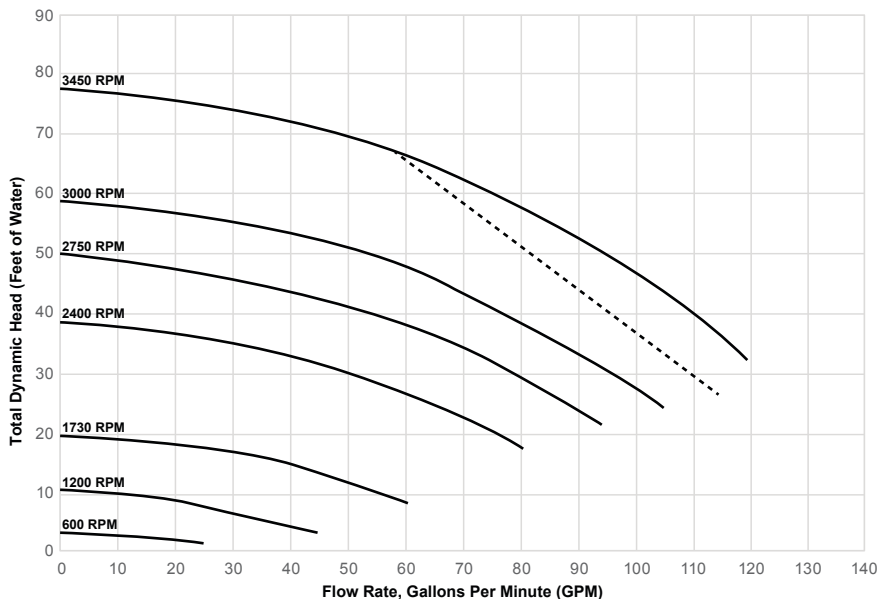


Base Options

Base	Fits	'A' Dimension	'B' Dimension
No Base	Hayward® Super Pump®, Pentair® SuperFlo®, Sta-Rite® SuperMax®	7 3/4"	12 3/4"
Small Base	Hayward Super II™, Jandy® PlusHP and MaxHP™ pumps	8 7/8"	13 7/8"
Small Base w/ Spacers	Pentair WhisperFlo®, Sta-Rite Dyna-Glas™	9 1/8"	14 1/8"
Small Base + Large Base	Sta-Rite Max-E-Pro®, Sta-Rite Dura-Glas®, Sta-Rite Dura-Glas II, Sta-Rite Max-E-Glas®	10 3/4"	15 3/4"

Small base with spacers included with every VS FloPro pump. Large base is optional Part No.R0546400.

VSFHP185DV(S) Pump Curves



VS FloPro™ 1.30/1.65/1.85 HP VS Pumps – 115V/230V DV Series (Mfg. 2023–Present)

Part No. VSFHP130DV(S), VSFHP165DV(S), VSFHP185DV(S)

Key No.	Part No.	Description	HP	Qty.
1	R0960000	Complete Motor/Drive, 115V/230V DV VS Pump Series, 1.30	1.3	1
	R0960100	Complete Motor/Drive, 115V/230V DV VS Pump Series, 1.65	1.65	1
	R0960200	Complete Motor/Drive, 115V/230V DV VS Pump Series, 1.85	1.85	1
2	R0501101	Liquid Tight Cord Grip	All	1
3	R0960400	Fan Shroud Cover w/Mounting Screws, DV Series VS Pumps	All	1
4	R0479900	Motor Mounting Foot, VS FloPro	All	1
5	R0480500	Backplate Hardware Kit (Mounting Bolts/Washers (6), Backplate O-Ring)	All	6
6	R0479500	Backplate	All	1
		Backplate Mounting Bolts/Washers	All	6
		Backplate O-ring	All	1
		Mechanical Seal (Carbon & Ceramic)	All	1
7	R0480300	Backplate O-ring	All	1
8	R0479602	Impeller	All	1
		Screw w/O-ring Backplate O-ring	1.3	1 1
	R0479603	Impeller	All	1
		Screw w/O-ring Backplate O-ring	1.65	1 1
	R0479604	Impeller	All	1
		Screw w/O-ring Backplate O-ring	1.85	1 1
9	R0479702	Diffuser	All	1
		Diffuser O-Ring	1.3	1
		Backplate O-ring	All	1
		Diffuser Mounting Screws	All	2
R0479701	Diffuser	All	1	
	Diffuser O-Ring	1.65	1	
	Backplate O-ring Diffuser Mounting Screws	1.85	1 2	
10	R0622000	Diffuser O-ring	All	1
11	R0479800	Pump Body, VS FloPro	All	1
12	R0480000	Lid w/Locking Ring, O-Ring Assembly, VS FloPro	All	1
13	R0480100	Pump Basket, VS FloPro	All	1
14	R0327301	Union Nut	All	2
		2" Tailpiece	All	2
		Tailpiece O-ring	All	2
14A	R0337600	Tailpiece O-ring	All	2
15	R0479400	Mechanical Seal (Carbon & Ceramic)	All	1
16	R0446000	Drain Plugs with O-rings	All	2
17	R0486700	Small Base with Spacers, VS FloPro	All	1
18	R0546400	Large Base (Optional Part, Not Included with Pump)	All	1
19	R0960600	Wiring Compartment Lid with Gasket/Screws, DV Series VS Pumps	All	1
20	R0974300	Wiring Port Plug, 1/2 NPT Nylon Black	All	1

VS PUMP CONTROLLER AND ONBOARD MOUNTING OPTIONS

Key No.	Part No.	Description	HP	Qty.
21	SPEEDSET	SpeedSet Controller w/Wall Mount	All	1
22	iQPUMPO1	iQPUMPO1 Controller	All	1
23	JEP-R	JEP-R Controller	All	1
24	R0925200	SpeedSet Onboard Mount, DV Series VS Pumps	All	1
N/S	R0958100	SpeedSet Wall Mount (Includes Mounting Hardware and Wiring Compartment Replacement Lid)	All	1

VS FloPro™ 1.30/1.65/1.85 HP VS Pumps – 115V/230V DV Series (Mfg. 2023–Present)

Part No. VSFHP130DV(S), VSFHP165DV(S), VSFHP185DV(S)

