

VS FLOPRO 1.85 HP
DUAL VOLTAGE, 2-AUX RELAY VS PUMP



Jandy®

**DUAL VOLTAGE.
IDENTICAL PERFORMANCE.**



OFFICIAL
POOL
EQUIPMENT
SUPPLIER



VS FLOPRO™
VARIABLE-SPEED PUMP

There's no need to sacrifice your pump's power.

The ideal replacement for high energy-consuming single-speed pumps up to 1.5 HP, the 115V/208-230V dual voltage VS FloPro™ 1.85 offers the same performance at both voltages.

• 115V/208-230V Dual Voltage

With the ability to provide the same head pressure and flow rates at both 115V and 208-230V, the VS FloPro 1.85 eliminates the need for expensive main power rewiring without compromising performance.

• Programmable Auxiliary Relays for Instant Automation

Two programmable auxiliary¹ relays allow the pump to control other equipment, such as a salt chlorinator and booster pump, without a separate timeclock.



• Lower Electricity Costs

Save over \$850² per year in energy costs! The variable-speed motor allows for dramatic energy savings and quieter operation.

• Our Quietest Variable-Speed Pump

Over 40% quieter³ than other Jandy® variable-speed pumps, the VS FloPro 1.85 HP features proprietary sound dampening motor technology allowing it to operate with noticeably less noise.

• Choose Your Own Controller

Designed to work with the following Jandy control systems for complete programmability and customization:

- › Jandy SpeedSet™ Controller (included and preinstalled from factory on all DV 2AS models)
- › iQPUMP01 with iAquaLink® App Control
- › Jandy AquaLink® Automation Systems
- › JEP-R Controller

• Additional Features

- › Adjustable base for seamless direct replacement of a variety of other pumps in the aftermarket
- › Zero Clearance TEFC Motor for cool, quiet operation in tight spaces
- › 2" unions included or utilize 2" internal threads
- › Easy Controller Setup auto-detects connection to an automation system or a traditional controller, eliminating the need to adjust settings manually
- › RS485 Quick Connect Port for faster installation and maintenance
- › Four-Speed Dry Contact Relay Control
- › Tool-free lid for easy debris removal
- › Ergonomic easy-transport handle

MODELS

Model No.	Description
VSFHP185DV2AS	VS FloPro 1.85 HP, SpeedSet Controller Preinstalled
VSFHP185DV2A	VS FloPro 1.85 HP, Controller Sold Separately

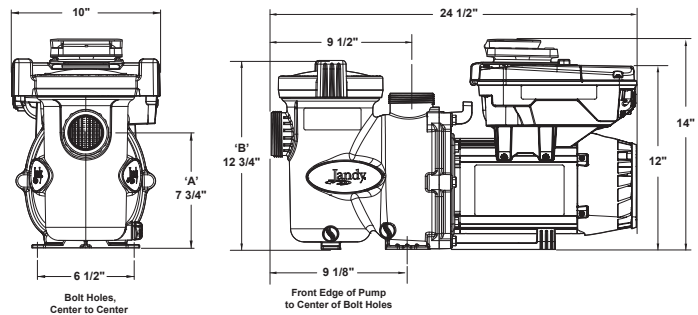
SPECIFICATIONS

Model No.	THP	WEF ³	Voltage	Max Watts	Amps	Union Size	Rec. Pipe Size ⁴	Carton Weight	Overall Length
VSFHP185DV2A(S)	1.85	8.5	208-230V 115V	1,700W 1,800W	8.5-8.0	2"	2" - 2 1/2"	53 lbs.	24 1/2"

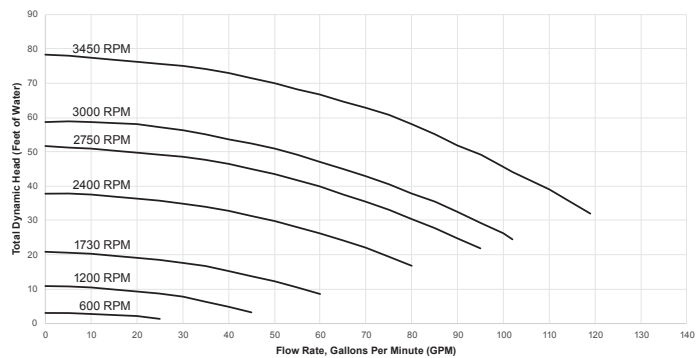
ADJUSTABLE BASE CONFIGURATIONS⁵

Base	Fits	'A' Dimension	'B' Dimension
No Base	Hayward® Super Pump®, Pentair® SuperFlo®, Sta-Rite® SuperMax®	7 3/4"	12 3/4"
Small Base	Hayward Super II™, Jandy PlusHP and MaxHP™	8 7/8"	13 7/8"
Small Base w/ Spacers	Pentair WhisperFlo®, Sta-Rite Dyna-Glas™	9 1/8"	14 1/8"
Small Base	Sta-Rite Max-E-Pro®, Sta-Rite Dura-Glas®	10 3/4"	15 3/4"
+ Large Base	Sta-Rite Dura-Glass II, Sta-Rite Max-E-Glas®		

DIMENSIONS



PERFORMANCE



¹ Auxiliary relays on all Jandy DV2A and DV2AS pump models are programmable when paired with a Jandy SpeedSet or iQPUMP01 variable-speed pump controller.

² Based on a 22,500 gallon pool with two turnovers per day at an energy cost of \$0.195/kWh vs. comparable single speed pumps; when tested in accordance with the applicable requirements of 10 CFR 429.

³ When compared to the average dB reading of other Jandy variable-speed pumps at 3450 RPM from 6 ft., based on third-party independent lab sound testing.

⁴ WEF = weighted energy factor in kgal/kWh. WEF is a performance-based metric adopted by the Department of Energy to characterize the energy performance of dedicated-purpose pool pumps. Department of Energy 10 CFR Parts 429 and 431.

⁵ Always follow local building and safety codes for pipe sizes and guidelines.

⁶ Small base with spacers included with all FloPro pumps. Large base is optional part R0546400.