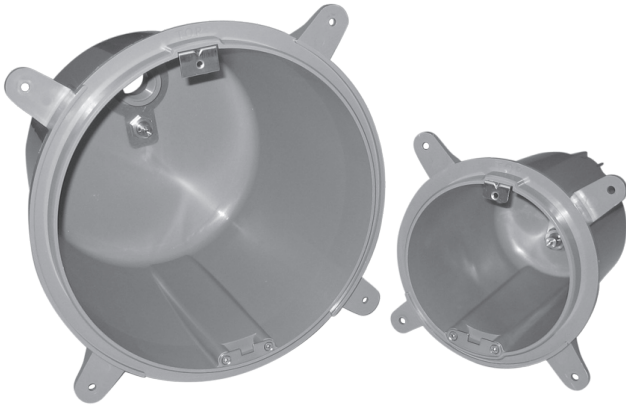


ProNiche PL – PLASTIC NICHES FOR GUNITE POOLS

Large and small plastic niches for all Jandy white and colored lights used in gunite construction. Jandy's ProNiche design is easy to install and packed with features.



- ◀ 1" rear outlet with 45° sweep elbow fitting and ¾" reducer
- ◀ Injection molded of high strength PVC for corrosion free installation
- ◀ 1" NPT internal plug for pressure testing conduit line
- ◀ Large, accessible rebar tie-backs for simple installation
- ◀ Plastic plaster shield for protection during construction
- ◀ Internal and external bonding lugs
- ◀ Room for 4' of coiled cable
- ◀ ETL listed for fresh water, complies with N.E.C.

ProNiche SS – STAINLESS STEEL NICHES FOR GUNITE POOLS

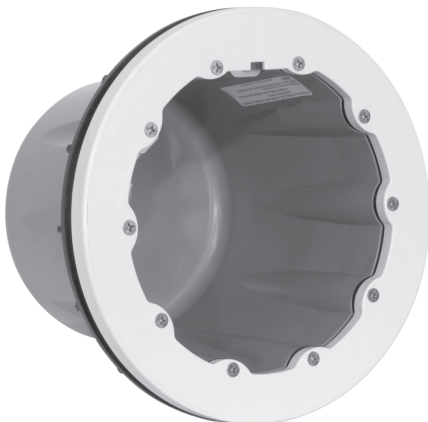
Large and small stainless steel niches for all Jandy white and colored lights have the detail and features you have come to expect from Jandy.

- ▶ Rear outlet in ½" or 1"
- ▶ Internal and external bonding/grounding lugs for use with either metal or plastic conduit
- ▶ Room for 4' of coiled cable
- ▶ Plastic plaster shield for protection during construction
- ▶ ETL listed for fresh water, complies with N.E.C.



ProNiche VN – PLASTIC NICHE FOR VINYL POOLS

Large, easy to install plastic niche for all Jandy white and colored lights. Engineered to be the perfect design for vinyl pools.



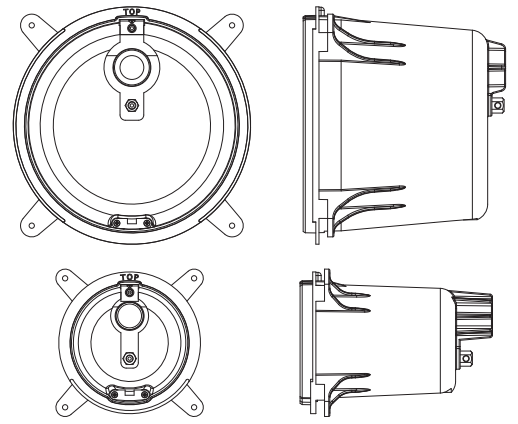
- ◀ 1" rear outlet with 45° sweep elbow fitting and ¾" reducer
- ◀ Mounts and seals like vinyl inlet fittings with zero wall panel exposure
- ◀ Injection molded of high strength PVC for corrosion free installation
- ◀ 1" NPT plug for pressure testing conduit line
- ◀ Internal and external bonding lugs
- ◀ ETL listed for fresh water, complies with N.E.C.

ProNiche TECHNICAL SPECIFICATIONS

ProNiche PL – PLASTIC GUNITE NICHES

Housing	PVC injection molded Room for coiling and storage of 4' of cable
Conduit Connection	Rear, top edge, 1" outlet with 45° section of conduit, plus a 3/4" reducer
Tie Backs	4 large set-back tie-backs for re-bar connection
Bonding Lugs	Internal and external
Plastic Shield (not shown)	Plastic cover plate to protect the niche during plastering

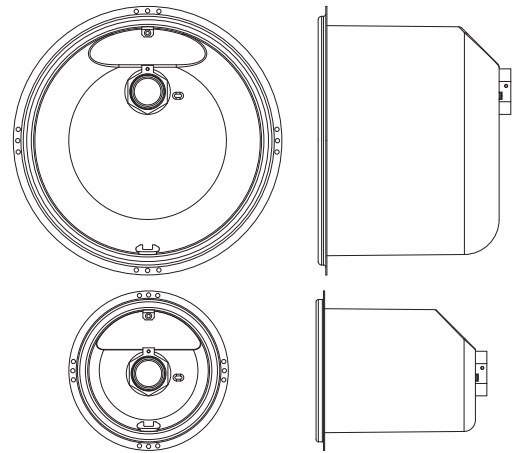
- ▶ PLNICLRG Large Plastic: Diameter 11", Depth 9", 3.12 lbs.
- ▶ PLNICSM Small Plastic: Diameter 6", Depth 6", 2.5 lbs



ProNiche SS – STAINLESS STEEL GUNITE NICHES

Housing	Stainless steel Room for coiling and storage of 4' of cable
Spot-welds	No spot-welds, fitting is threaded with nut, plug and o-ring
Conduit Connection	Rear, top edge, 1/2" or 1" outlets
Bonding Lugs	Internal and external for use with either metal or PVC conduit
Plastic Shield (not shown)	Plastic cover plate to protect the niche during plastering

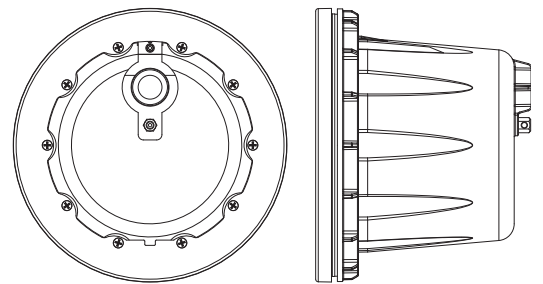
- ▶ SSNICLRG Large Stainless Steel: Diameter 11.5", Depth 8", 1.5 lbs.
- ▶ SSNICSM Small Stainless Steel: Diameter 6.5", Depth 6", 1.5 lbs.



ProNiche VN – PLASTIC VINYL NICHE

Housing	PVC injection molded Room for coiling and storage of 4' of cable
Conduit Connection	Rear, top edge, 1" outlet with 45° section of conduit plus a 3/4" reducer
Bonding Lugs	Internal and external
Mounting	Mounts and seals like a vinyl inlet fitting. Rubber gasket over a molded face ring, sandwich gasket, and zero wall panel exposure.

- ▶ PLNICVFLRG Large Plastic: Diameter 11", Depth 9", 3.12 lbs.



DESIGNED TO WORK SEAMLESSLY WITH ALL JANDY LIGHTS

- ▶ WaterColors LED Pool and Spa Lights, JandyColors Quartz Halogen Pool & Spa Lights, and JandyWhite Incandescent Lights



Pumps • Filters • Heaters • Heat Pumps
Controls • Lights • Water Purification • Valves
Water Features • Water Leveling • Cleaners
In-Floor • Pool Covers • Accessories

*Not all models are available with CE certification.



1.800.822.7933 • www.jandy.com • info@jandy.com
©2009 Zodiac Pool Systems, Inc.

