

Infinite WaterColors™ Pool & Spa LED Lights

This product requires AquaLink® RS revision Y or later

Essential installation and startup instructions are included in this manual. Additional operation and troubleshooting information is available online by scanning the QR code with your phone or visiting jandy.com



WARNING

FOR YOUR SAFETY – This product must be installed and serviced by a contractor who is licensed and qualified in pool equipment by the jurisdiction in which the product will be installed where such state or local requirements exist. The maintainer must be a professional with sufficient experience in pool equipment installation and maintenance so that all of the instructions in this manual can be followed exactly. Before installing this product, read and follow all warning notices and instructions that accompany this product. Failure to follow warning notices and instructions may result in property damage, personal injury, or death. Improper installation and/or operation may void the warranty.

Improper installation and/or operation can create unwanted electrical hazard which may cause serious injury, property damage, or death. DO NOT MODIFY THIS EQUIPMENT.



ATTENTION INSTALLER – This manual contains important information about the installation, operation and safe use of this product. This information should be given to the owner/operator of this equipment.

Table of Contents

Section 1. Important Safety Instructions	2	Section 4. Controller Wiring Options.....	6
Section 2. New Construction Installation ...	3	4.1 Wiring to an AquaLink® RS Control System.....	6
2.1 Preparing the Light Fixture for Installation.....	3	4.2 Wiring to the Light Controller.....	6
2.2 Installing the Light Fixture	4	Section 5. iAquaLink® App Features.....	6
Section 3. Existing Pool or Spa Installation	5	5.1 Light Setup	6
3.1 Preparing the Light Fixture for Replacement.....	5	5.2 Turn Lights On/Off	7
3.2 Replacing the Light Fixture.....	5	5.3 Select Colors	7
		5.4 Adjust Brightness.....	7
		Section 6. Additional Online Content	7

FCC Regulatory Compliance Statement

This device complies with Part 15 of the FCC Rules. Operation is subject to the following two conditions:

1. This device may not cause harmful interference, and
2. This device must accept any interference received, including interference that may cause undesired operation.

⚠ CAUTION

Changes or modifications not expressly approved by the party responsible for compliance could void the user's authority to operate the equipment.

NOTE: This equipment has been tested and found to comply with the limits for a Class B digital device, pursuant to Part 15 of the FCC Rules. These limits are designed to provide reasonable protection against harmful interference in a residential installation. This equipment generates, uses and can radiate radio frequency energy and, if not installed and used in accordance with the instructions, may cause harmful interference to radio communications. However, there is no guarantee that interference will not occur in a particular installation. If this equipment does cause harmful interference to radio or television reception which can be determined by turning the equipment off and on, the user is encouraged to try to correct the interference by one or more of the following measures:

- Reorient or relocate the receiving antenna.
- Increase the separation between the equipment and receiver.
- Connect the equipment into an outlet on a circuit different from that to which the receiver is connected.
- Consult the dealer or an experienced radio/TV technician for help.

Section 1. Important Safety Instructions

IMPORTANT SAFETY INSTRUCTIONS PERTAINING TO A RISK OF FIRE, ELECTRIC SHOCK, OR INJURY TO PERSONS

READ AND FOLLOW ALL INSTRUCTIONS

The Jandy Infinite WaterColors Pool & Spa Lights are designed to be powered and operated with the Jandy Infinite WaterColors LED Light Controller, the lights will not operate when powered from an alternate transformer. Follow all installation and operating instructions that accompany this product, as well as the Jandy Infinite WaterColors LED Light Controller (Model: IWCLC300W).

When installing and using this electrical equipment, basic safety precautions should always be followed, including the following:

⚠ WARNING

RISK OF ELECTRICAL SHOCK OR ELECTROCUTION. This underwater light must be installed by a licensed or certified electrician in accordance with the National Electrical Code® and applicable local codes and ordinances. In Canada, the Canadian Electrical Code and all applicable local codes and ordinances must be adhered to. Improper installation will create an electrical hazard, which may result in death or serious injury to pool or spa users, installers, or others due to electrical shock, and may also cause damage to property. Read and follow the specific instructions below.

Before installing this underwater light, read and follow all warning notices and instructions accompanying this light. Failure to follow safety warnings and instructions can result in severe injury, death, or property damage.

⚠ CAUTION

Except when the Jandy Infinite WaterColors LED Lights are installed in an area of the swimming pool that is not used for swimming and the lens is adequately guarded to keep any person from contacting it, the light shall be installed in or on a wall of the pool, with the top of the lens opening not less than 18 inches (457 mm) below the normal water level of the pool.

NOTICE

The Jandy Infinite WaterColors LED Lights are intended for installation in fresh water and salt water swimming pools. It is important to ensure that the wet niches in which the lights are installed are intended for their appropriate application, either fresh water or salt water pools.

SAVE THESE INSTRUCTIONS

Section 2. New Construction Installation

The Jandy Infinite WaterColors Pool & Spa LED Lights are designed to be powered and operated with the Jandy Infinite WaterColors LED Light Controller. Follow all installation and operating instructions.

⚠ WARNING

RISK OF ELECTRICAL SHOCK OR ELECTROCUTION.

This underwater light must be installed by a licensed or certified electrician or a qualified pool serviceman in accordance with the National Electrical Code and all applicable local codes and ordinances. Improper installation will create an electrical hazard, which could result in death or serious injury to pool or spa users, installers or others due to electrical shock, and may also cause damage to property.

Always disconnect the power to the color light at the circuit breaker before installing or servicing the light. Failure to do so could result in death or serious injury to serviceman, pool or spa users or others due to electrical shock.

2.1 Preparing the Light Fixture for Installation

NOTE: The electrician must complete preparatory steps before light fixture is installed. See *Figure 1*.

Ensure that the pool meets the requirements of the current National Electrical Code® and all local codes and ordinances. A licensed or certified electrician

must install the electrical system to meet or exceed those requirements before the underwater light is installed. Some of the requirements of the National Electrical Code, which the pool electrical systems must meet, are as follows:

⚠ WARNING

To minimize risk of Electrical shock or electrocution, which could result in injury or death, for supply connection of low-voltage lights use only the Jandy Infinite WaterColors LED Light Controller which is an isolating low voltage power supply, evaluated and listed by a Nationally Recognized Testing Laboratory (NRTL) intended for use with submersible luminaires for swimming pool use.

RISK OF ELECTRICAL SHOCK OR ELECTROCUTION,

which could result in serious injury or death. A Ground Fault Circuit Interrupter (GFCI, in Canada: Class A type) should be used if required by the transformer manufacturer or if required by the local applicable code and/or Authority Having Jurisdiction (AHJ). When a GFCI is used, the conductors on the load side of the GFCI circuit shall not occupy conduit, boxes, or enclosures containing other conductors unless the additional conductors are also protected by a GFCI. Refer to local codes for complete details. When a GFCI is used, the conductors on the load side of the GFCI circuit shall not occupy conduit, boxes, or enclosures containing other conductors unless additional conductors are also protected by a GFCI. Test the GFCI on a routine basis. Refer to local codes for complete details.

1. The junction box or Infinite WaterColors LED Light Controller suitable for direct conduit connection to lights must be located at least (8) inches above water level, at least four (4) inches above ground level, and at least (48) inches (4) feet from the edge of the pool, or as required by local code, see *Figure 1*.
2. The light fixture and all metal items within five (5) feet of the pool must be properly electrically bonded to a reliable point of grounding.
3. The wet niche must be properly installed so that the top edge of the underwater light's lens is at least (18) inches below the surface of the water in the pool. See *Figure 1*.
4. The wet niche must be properly electrically bonded and grounded via the No. 8 AWG ground connector located at the rear of the niche. See *Figure 1*.

National Electrical Code® (NEC®) requires bonding of the Pool Water. Where none of the bonded pool equipment, structures, or parts are in direct connection with the pool water; the pool water shall be in direct contact with an approved corrosion-resistant conductive surface that exposes not less than 5800 mm² (9 in²) of the surface area to the pool water at all times. The conductive surface shall be located where it is not exposed to physical damage or dislodgement

during usual pool activities, and it shall be bonded in accordance with the bonding requirements of NEC Article 680. Refer to locally enforced codes for any additional pool and spa bonding requirements.

NOTE: To be certain that the pool's electrical system meets all applicable requirements, the electrician should also consult the local building department.

Use only approved wet niches (see following note) to ensure a safe and proper installation.

NOTE: Jandy lights are ETL listed for installation with *only* the following manufacturer's wet niche fixtures:

Large Niche Model Numbers:

Jandy: PLNICLRG, PLNICVFLRG, WT000002, SSNICLRG1R, SSNICLRG1S
 Pentair®: 620004, 78210200 thru 700, 78210401
 Hayward® DuraNiche: SP0600U

Small Niche Model Numbers:

Jandy: PLNICSM, SSNICSM,
 Pentair: 79206600

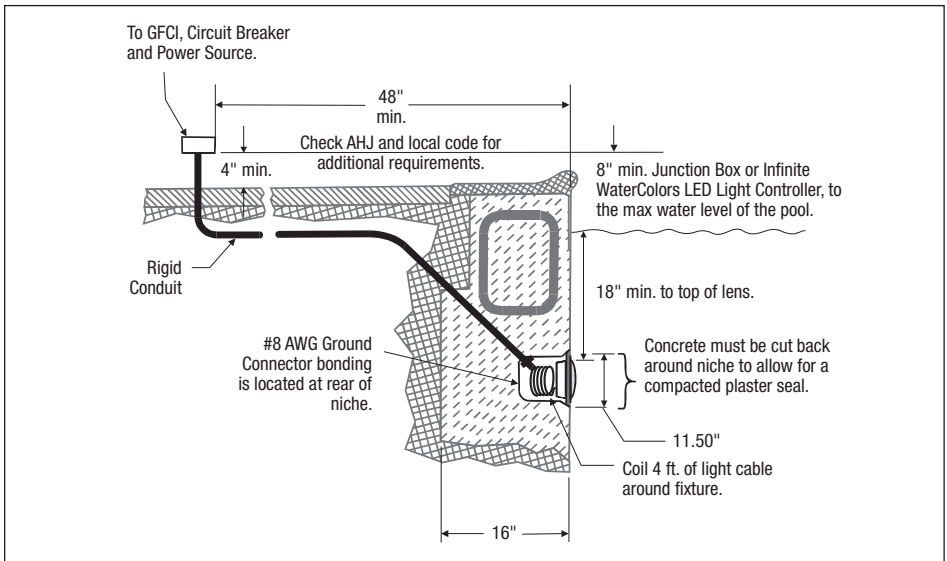


Figure 1. Jandy Infinite WaterColors Light Installation

2.2 Installing the Light Fixture

NOTE: Perform these steps *only* after the electrical system requirements are met.

1. Feed cord through conduit to junction box, leaving at least four (4) feet of cord at the light fixture to coil into the base of the light niche, see *Figure 1*. The four (4) feet of cord allows the light to be serviced after the pool is filled with water.
2. Cut the cord at the junction box, leaving at least six (6) inches of cord to make connections.

3. Strip six (6) inches of the outer cord jacket to expose the three insulated wires. *Be careful not to damage the insulation on the three (3) inner wires.*
4. Install strain relief over cord jacket and connect the light wires to the controller, black to orange, white to orange, and green to the ground terminal bar. Install the junction box cover.
5. Coil the 4-foot length of cord around the fixture or into the base of the pool niche, and place the light assembly into the niche.

- Engage the retainer tab on the bottom of the face ring, then pivot the top of the fixture inward and tighten the special pilot screw.

WARNING

Use only the special pilot screw provided with this underwater light. This screw mounts and electrically grounds the housing securely to the mounting ring and wet niche. Failure to use the screw provided could create an electrical hazard, which could result in death or serious injury to pool or spa users, installers or others due to electrical shock.

- Fill the pool until the underwater light is completely submerged in water before operating the light for more than 10 seconds. The light will heat up quickly when operated outside of water. Turn on circuit breaker, which operates the Infinite WaterColors LED Light Controller.

WARNING

Never operate this underwater light for more than 10 seconds unless it is totally submerged in water. Without total submersion, the light assembly will get extremely hot, which may result in serious burns or in breakage of the bulb or lens. This may result in serious injury to pool or spa users, installers, or bystanders or damage to property.

Section 3. Existing Pool or Spa Installation

WARNING

RISK OF ELECTRICAL SHOCK OR ELECTROCUTION.

This underwater light must be installed by a licensed or certified electrician or a qualified pool serviceman in accordance with the National Electrical Code and all applicable local codes and ordinances. Improper installation will create an electrical hazard, which could result in death or serious injury to pool or spa users, installers or others due to electrical shock, and may also cause damage to property.

Always disconnect the power to the color light at the circuit breaker before installing or servicing the light. Failure to do so could result in death or serious injury to serviceman, pool or spa users or others due to electrical shock.

3.1 Preparing the Light Fixture for Replacement

Verify that the pool meets the requirements of the current National Electrical Code® (NEC) and all local codes and ordinances. A licensed or certified electrician must install the electrical system to meet or exceed those requirements before the underwater light is installed. Some of the requirements of the National Electrical Code, which the pool's electrical system must meet, are as follows:

WARNING

RISK OF ELECTRICAL SHOCK OR ELECTROCUTION,

which could result in serious injury or death. A Ground Fault Circuit Interrupter (GFCI, in Canada: Class A type) should be used if required by the transformer manufacturer or if required by the local applicable code and/or Authority Having Jurisdiction (AHJ). When a GFCI is used, the conductors on the load side of the GFCI circuit shall not occupy conduit, boxes, or enclosures containing other conductors unless the additional conductors are also protected by a GFCI. Test the GFCI on a routine basis. Refer to local codes for complete details.

- The junction box or Infinite WaterColors LED Light Controller suitable for direct conduit connection to lights must be located at least (8) inches above water level, at least four (4) inches above ground level, and at least (48) inches (4) feet from the edge of the pool, or as required by local code. *Figure 1.*
- The light fixture and all metal items within five (5) feet of the pool must be properly electrically bonded to a reliable point of grounding.
- The wet niche must be properly installed so that the top edge of the underwater light's lens is at least (18) inches below the surface of the water in the pool. See *Figure 1.*
- The wet niche must be properly electrically bonded and grounded via the No. 8 AWG ground connector located at the rear of the niche. See *Figure 1.*

To be certain that the pool's electrical system meets all applicable requirements, the electrician should also consult the local building department.

3.2 Replacing the Light Fixture

NOTE: Perform these steps only after the electrical system requirements are met.

WARNING

Failure to bring the pool's electrical system up to code requirements before installing the underwater light will create an electrical hazard which could result in death or serious injury to pool or spa users, installers, or others due to electrical shock, and may also cause damage to property.

NOTE: The light fixture may be replaced without removing water from the pool.

- Turn off the **main** electrical switch or circuit breaker, which operates the underwater light.
- Unscrew the special pilot screw at top of the face ring and remove the light assembly from the niche, and place the assembly on the deck.

⚠ WARNING

Be sure to keep the special pilot screw provided with this underwater light. This screw mounts and electrically grounds the housing securely to the mounting ring and wet niche. Failure to use the screw provided could create an electrical hazard, which could result in death or serious injury to pool or spa users, installers or others due to electrical shock.

3. Remove Junction Box cover, disconnect the light fixture wires and strain relief, and then pull the cord out of the conduit from the niche.
4. Feed the new light fixture cord through the conduit from the niche to the Junction Box.

NOTE: Depending on the length of the conduit, special tools may be required to pull the cord through the conduit.

5. Leave at least four (4) feet of cord to coil around the light fixture or coiled into the base of the light niche, see *Figure 1*. This allows the light to be serviced after the pool is filled with water.
6. Cut the cord at the Junction Box, leaving at least six (6) inches of cord to make connections.
7. Strip six (6) inches of the outer cord jacket from the cord to expose the three insulated wires. *Be careful not to damage the insulation on the three (3) inner wires.*
8. Install strain relief over cord jacket and connect the light wires to the controller, black to orange, white to orange, and green to the ground terminal bar. Install the junction box cover.
9. Reinstall the light assembly into the niche and tighten the special pilot screw.

⚠ WARNING

Use only the special pilot screw provided with this underwater light. This screw mounts and electrically grounds the housing securely to the mounting ring and wet niche. Failure to use the screw provided could create an electrical hazard, which could result in death or serious injury to pool or spa users, installers or others due to electrical shock.

10. Fill the pool until the underwater light is completely submerged in water before operating the light for more than 10 seconds. Turn on main switch or circuit breaker, which operates the underwater light, to check for proper operation.

⚠ WARNING

Never operate this underwater light for more than 10 seconds unless it is totally submerged in water. Without total submersion, the light assembly will get extremely hot, which may result in serious burns or in breakage of the bulb or lens. This may result in serious injury to pool or spa users, installers, or bystanders or in damage to property.

Section 4. Controller Wiring Options

The Jandy Infinite WaterColors Pool & Spa LED Lights are designed to be powered and operated with the Jandy Infinite WaterColors LED Light Controller and AquaLink RS (revision Y or later). Follow all installation and operating instructions.

NOTE: The Jandy Infinite WaterColors LED Lights are dimmable in the iAquaLink app and will not operate properly with light dimmers. Do not wire the lights to any dimming circuitry.

DO NOT CONNECT TWO OR MORE POWER SUPPLIES IN PARALLEL.

4.1 Wiring to an AquaLink® RS Control System

The Jandy Infinite WaterColors LED Lights must be wired into the Jandy AquaLink® RS control system. AquaLink RS revision Y or later is required for operation of the lights.

Refer to *Figure 2* for the Infinite WaterColors Wiring Diagram which shows light connections to the controller and AquaLink system.

4.2 Wiring to the Light Controller

1. Knock out an opening in the right compartment.
2. Run low voltage light through a conduit connector and secure to the enclosure.
3. Connect the low voltage wires black to orange and white to orange.
4. Connect the ground wire to the bus bar.

Section 5. iAquaLink® App Features

Download the iAquaLink app and/or upgrade to the latest version prior to light and zone set up. App function and design is subject to change.

5.1 Light Setup

1. Open the app on your device.
2. From My Systems page, select your pool.
3. From the home page, choose the cog system icon on the top right and select System Setup.

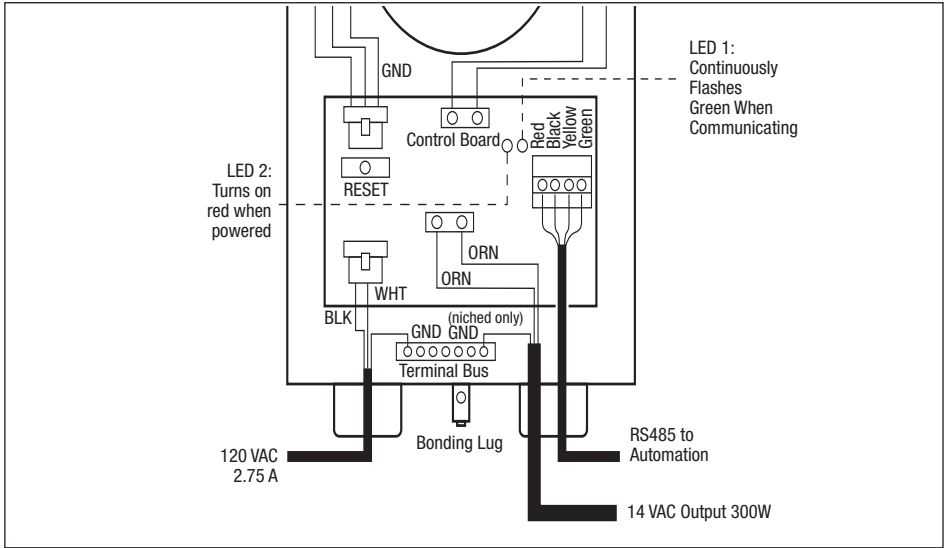


Figure 2. Jandy Infinite WaterColors Wiring Diagram

5.1.1 Assign Lights

1. From the System Setup page, select Light Setup and Assign Lights.
2. From the Assign Lights pop up, choose proceed to continue the process.
3. On the Light the Zone Setup page, select a light in order to move it to a different zone and follow further instructions in the app.

NOTE: When exiting the Light Zone Setup page, the lights will turn off.

Lights have to be assigned to a zone in order to rename the zone.

5.1.2 Name Light Zones

1. Go to > System Setup > Light Setup > Zone Name.
2. From the Edit Zone Name pop up, enter the zone name and choose OK.

5.2 Turn Lights On/Off

1. Open the app on your device.
2. From the My System page, select your pool.
3. Choose the equipment page.
4. Turn zone lights on/off by tapping the toggle to the right of the desired zone.

5.3 Select Colors

1. Open the app on your device
2. From the My System page, select your pool.

5.3.1 Select Custom Color

1. Go to > equipment page.
2. From the equipment page, choose the zone you want to change color.
3. From that zones page, choose Custom Color.

4. Choose your custom color from the color wheel.
5. Choose Apply to apply the custom color to your zone.

5.3.2 Preset Colors

1. Go to > equipment page and select the zone you want to change color.
2. After selecting the zone, then choose from the list of preset colors to apply that preset color to your zone.

5.3.3 Preset Color Shows

1. Go to > equipment page.
2. From equipment page, choose the zone you want to change color.
3. After selecting the zone, then choose from the list of preset color shows to apply that preset color show to your zone.

5.4 Adjust Brightness

1. From the equipment page, select the sun icon on the zone where you want to change to adjust the brightness.
2. Move the slider bar up or down with your finger and then click apply to change the brightness.

Section 6. Additional Online Content

For information on the following, please refer to the online manual:

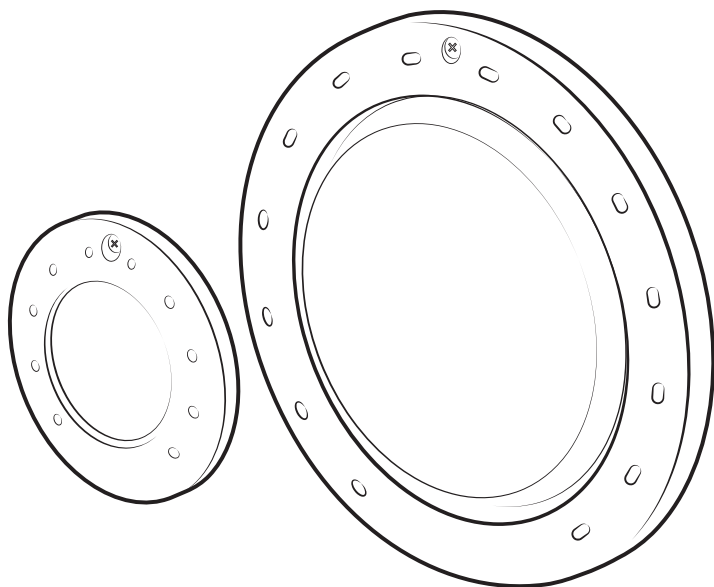
- Product Overview
- OneTouch Setup
- Amazon Alexa Light Control
- Troubleshooting

A Fluidra Brand | [Jandy.com](https://www.jandy.com) | [Jandy.ca](https://www.jandy.ca)
2882 Whiptail Loop # 100, Carlsbad, CA 92010, USA | 1.800.822.7933
2-3365 Mainway, Burlington, ON L7M 1A6, Canada | 1.800.822.7933

©2024 Fluidra. All rights reserved. The trademarks and trade names used herein are the property of their respective owners.

H0666700_REV F





Infinite WaterColors™ éclairage DEL pour piscine et spa

Ce produit nécessite AquaLink® RS révision Y ou ultérieure

Les instructions essentielles d'installation et de démarrage sont incluses dans ce manuel. Des informations supplémentaires sur le fonctionnement et le dépannage sont disponibles en ligne en scannant le code QR avec votre téléphone ou en visitant jandy.com



AVERTISSEMENT

POUR VOTRE SÉCURITÉ – Ce produit doit être installé et entretenu par un entrepreneur qualifié en équipements de piscine disposant d'un permis délivré par la juridiction dans laquelle le produit est installé lorsque de telles exigences étatiques ou locales existent. L'agent d'entretien doit être un professionnel disposant de suffisamment d'expérience dans l'installation et l'entretien de l'équipement de piscine, afin de s'assurer que toutes les directives du présent manuel sont scrupuleusement respectées. Avant d'installer ce produit, lire et suivre tous les avertissements et toutes les directives qui accompagnent ce produit. Tout non-respect des instructions d'avertissement peut entraîner des dommages matériels, des blessures corporelles ou même la mort. Une mauvaise installation ou utilisation annule la garantie.

Une mauvaise installation ou utilisation peut engendrer un danger électrique pouvant entraîner des dommages matériels ou des blessures graves, voire mortelles. **NE PAS MODIFIER CET ÉQUIPEMENT.**



À L'ATTENTION DE L'INSTALLATEUR – Le présent manuel contient des informations importantes sur l'installation, le fonctionnement et l'utilisation sécuritaire de ce produit. Ces informations doivent être transmises au propriétaire ou à l'utilisateur de cet équipement.

Table des matières

Section 1. Consignes de sécurité importantes	10	Section 4. Options d'installation du contrôleur	14
Section 2. Installation sur construction neuve	11	4.1 Câblage à un système de commande AquaLink® RS	14
2.1 Préparation pour l'installation de l'appareil d'éclairage.....	11	4.2 Câbler la commande d'éclairage.....	15
2.2 Installation de l'appareil d'éclairage	12	Section 5. Caractéristiques de l'application iAquaLink®	15
Section 3. Installation dans une piscine ou spa existant	13	5.1 Configuration de l'éclairage.....	15
3.1 Préparation pour le remplacement de l'appareil d'éclairage.....	13	5.2 Éteindre et allumer les lumières.....	15
3.2 Remplacement de l'appareil d'éclairage	14	5.3 Sélectionner les couleurs.....	15
		5.4 Ajuster la luminosité.....	16
		Section 6. Contenu en ligne supplémentaire.....	16

Déclaration de conformité réglementaire FCC

Ce dispositif est conforme à la partie 15 des directives FCC. Son fonctionnement est soumis aux deux conditions suivantes :

1. Cet appareil ne doit pas provoquer d'interférences nuisibles, et
2. Cet appareil doit accepter toute interférence reçue, y compris les interférences susceptibles de provoquer un fonctionnement indésirable.

MISE EN GARDE

Tout changement ou modification non expressément approuvé par la partie responsable de la conformité pourrait annuler l'autorité de l'utilisateur à utiliser l'équipement.

REMARQUE : Cet équipement a été testé et déclaré conforme aux limites pour un appareil numérique de Classe B, conformément à la partie 15 des directives FCC. Ces limites sont conçues pour fournir une protection raisonnable contre les interférences nuisibles dans une installation résidentielle. Cet équipement génère, utilise et peut émettre de l'énergie radio électrique et, s'il n'est pas installé et utilisé conformément aux instructions, peut causer des interférences nuisibles aux communications radio. Toutefois, il n'existe aucune garantie que des interférences ne se produiront pas dans une installation particulière. Si cet équipement cause des interférences nuisibles à la réception des signaux de radio ou de télévision, ce qui peut être déterminé en allumant et en éteignant l'équipement, l'utilisateur est encouragé à essayer de corriger les interférences en prenant une ou plusieurs des mesures suivantes :

- Réorienter ou déplacer l'antenne de réception.
- Augmenter la distance entre l'équipement et le récepteur.
- Brancher l'équipement sur une prise différente de celle sur laquelle le récepteur est connecté.
- Consultez votre revendeur ou un technicien radio/TV expérimenté pour obtenir de l'aide.

Section 1. Consignes de sécurité importantes

CONSIGNES DE SÉCURITÉ IMPORTANTES CONCERNANT LE RISQUE D'INCENDIE, DE DÉCHARGE ÉLECTRIQUE OU DE BLESSURES CORPORELLES

LIRE ET SUIVRE TOUTES LES DIRECTIVES

Les lumières de piscine et de spa Jandy Infinite WaterColors sont conçues pour être alimentées et utilisées avec c, les lumières ne fonctionneront pas lorsqu'elles sont alimentées par un autre transformateur. Suivre toutes les instructions d'installation et de fonctionnement qui accompagnent ce produit, ainsi que le contrôleur de lumière DEL Jandy Infinite WaterColors (modèle : IWCLC300W).

Lors de l'installation et de l'utilisation de cet équipement électrique, les consignes de sécurité élémentaires doivent toujours être respectées, notamment les mises en garde suivantes :

⚠ AVERTISSEMENT

RISQUE DE DÉCHARGE ÉLECTRIQUE OU D'ÉLECTROCUTION. Ce projecteur subaquatique doit être installé par un électricien agréé ou accrédité, conformément au National Electrical Code® et aux normes et règlements locaux applicables. Au Canada, le Code canadien de l'électricité, les règlements et les ordonnances doivent être respectés. Une installation inadéquate créera des risques électriques pouvant entraîner la mort ou des blessures corporelles graves aux utilisateurs de la piscine ou du spa, aux installateurs ou à d'autres en raison d'une décharge électrique, en plus de causer des dommages à la propriété. Veuillez lire et suivre les instructions précises ci-dessous.

Avant d'installer ce projecteur subaquatique, veuillez lire et suivre tous les avertissements et toutes les directives qui accompagnent ce projecteur. Omettre de suivre les mises en garde et les instructions pourrait entraîner des blessures corporelles graves, la mort ou des dommages à la propriété.

⚠ MISE EN GARDE

Sauf lorsque l'éclairage à DEL Jandy Infinite WaterColors est installé dans une zone de la piscine qui n'est pas utilisée pour la natation et que la lentille est bien protégée pour que personne n'y touche, l'éclairage sera installé sur ou dans un mur de la piscine, avec le dessus de l'ouverture de la lentille n'étant pas inférieur à 457 cm (18 po) sous le niveau normal de l'eau de la piscine.

AVIS

Les lumières à DEL Jandy Infinite WaterColors sont destinées à être installées dans des piscines d'eau douce et d'eau salée. Il est important de s'assurer que les niches humides dans lesquelles les lumières sont installées sont destinées à leur application appropriée, soit des piscines d'eau douce ou d'eau salée.

CONSERVER CES DIRECTIVES

Section 2. Installation sur construction neuve

Les lumières de piscine et de spa Jandy Infinite WaterColors sont conçues pour être alimentées et utilisées avec le contrôleur de lumière à DEL Jandy Infinite WaterColors. Suivre toutes les instructions d'installation et d'utilisation.

2.1 Préparation pour l'installation de l'appareil d'éclairage

REMARQUE : L'électricien doit exécuter les étapes préparatoires avant d'installer l'appareil d'éclairage. Voir la *Figure 1*.

S'assurer que la piscine répond aux exigences du National Electrical Code® en vigueur et de tous les codes et ordonnances locaux. Avant d'installer le projecteur subaquatique, un électricien agréé ou accrédité doit installer le système électrique de manière à atteindre ou dépasser ces exigences. Certaines des exigences du Code national de l'électricité auxquelles les systèmes électriques des piscines doivent répondre sont les suivantes :

⚠ AVERTISSEMENT

RISQUE DE DÉCHARGE ÉLECTRIQUE OU D'ÉLECTROCUTION. Cet éclairage sous-marin doit être installé par un électricien agréé ou certifié ou un technicien de piscine qualifié conformément au Code national de l'électricité et à tous les codes et ordonnances locaux applicables. Une installation inadéquate générera des risques électriques qui pourraient entraîner la mort ou des blessures corporelles graves aux utilisateurs de la piscine ou du spa, aux installateurs ou à d'autres en raison d'une décharge électrique, en plus de causer des dommages à la propriété.

Toujours déconnecter l'alimentation à la lumière de couleur au disjoncteur avant d'installer ou d'entreprendre l'entretien du projecteur. Omettre de le faire pourrait entraîner la mort ou des blessures corporelles graves à la personne qui en fait l'entretien, aux utilisateurs de la piscine ou du spa ou à d'autres en raison d'une décharge électrique.

⚠ AVERTISSEMENT

Pour minimiser le risque de choc électrique ou d'électrocution, qui pourrait entraîner des blessures ou la mort, pour la connexion d'alimentation des lumières basse tension, utiliser uniquement le contrôleur de lumière à DEL Jandy Infinite WaterColors une alimentation basse tension isolante, évaluée et répertoriée par un laboratoire national d'essais reconnu (NRTL) destiné à être utilisé avec luminaires submersibles pour piscine.

AVERTISSEMENT

RISQUE DE DÉCHARGE ÉLECTRIQUE OU

D'ÉLECTROCUTION, qui pourrait entraîner des blessures corporelles graves ou la mort. Un disjoncteur différentiel de fuite à la terre (DDFT, au Canada : Type classe A) devrait être utilisé, si requis par le fabricant du transformateur, par les codes locaux applicables ou par l'autorité compétente. Lorsqu'un DDFT est utilisé, les conducteurs du côté demande du circuit ne doivent pas être installés dans les conduits, boîtes ou enceintes contenant d'autres conducteurs, à moins que les conducteurs supplémentaires soient également protégés par un DDFT. Voir les codes locaux pour plus de détails. Lorsqu'un DDFT est utilisé, les conducteurs du côté demande du circuit ne doivent pas être installés dans les conduits, boîtes ou enceintes contenant d'autres conducteurs, à moins que les conducteurs supplémentaires soient également protégés par un DDFT. Tester régulièrement le DDFT. Voir les codes locaux pour plus de détails.

1. La boîte de jonction ou le contrôleur de lumières à DEL Infinite WaterColors convenant à une connexion directe par conduit aux lumières doit être situé à au moins huit (8) pouces au-dessus du niveau de l'eau, à au moins quatre (4) pouces au-dessus du niveau du sol et à au moins 48 pouces (4 pieds) de bord de la piscine, ou tel que requis par le code local. Se reporter à la *Figure 1*.
2. L'appareil d'éclairage et tous les objets métalliques à moins de cinq pieds (5) de la piscine doivent être reliés électriquement à un point fiable de mise à la terre de manière sûre.
3. Une niche humide doit être installée de façon à ce que le bord supérieur du projecteur subaquatique soit à au moins 18 pouces sous la surface de l'eau de la piscine. Voir la *Figure 1*.
4. La niche humide doit être adéquatement reliée électriquement et mise à la terre au moyen d'un connecteur de terre AWG n° 8 proche de l'arrière de la niche. Voir la *Figure 1*.

Le National Electrical Code® (NEC®) requiert la mise à la terre de l'eau de la piscine. Lorsqu'aucun(e) équipement, structure ou pièce de la piscine mis(e) à la terre n'est en connexion directe avec l'eau de la piscine, l'eau de la piscine devra être en contact direct avec une surface conductrice approuvée résistante à la corrosion qui n'expose pas moins de 5800 mm² (9 po²) de la surface de l'eau de la piscine en tout temps. La surface conductrice devra être située à un endroit où celle-ci n'est pas exposée à des dommages physiques ou à des délogements au cours des activités courantes en piscine, et devra être mise à la terre conformément aux exigences en matière de mise à la terre du NEC article 680. Se référer aux codes appliqués localement pour toutes exigences supplémentaires relatives à la piscine et au spa.

REMARQUE : Pour s'assurer que le système électrique de la piscine répond à toutes les exigences applicables, l'électricien devrait également consulter le service du bâtiment local.

Utiliser uniquement des niches humides approuvées (voir la remarque suivante) pour assurer une installation sûre et appropriée.

REMARQUE : Les lumières Jandy sont répertoriées ETL pour une installation *uniquement* avec les appareils d'éclairage à niche humide du fabricant suivant :

Numéros de modèle à grande niche :

Jandy : PLNICLRG, PLNICVFLRG, WT000002, SSNICLRG1R, SSNICLRG1S
 Pentair® : 620004, 78210200 à 700, 78210401
 Hayward® DuraNiche : SP0600U

Numéros de modèle à petite niche :

Jandy : PLNICSM, SSNICSM,
 Pentair : 79206600

2.2 Installation de l'appareil d'éclairage

REMARQUE : Effectuer les étapes suivantes *uniquement* lorsque les exigences du système électrique sont atteintes.

1. Acheminer le cordon à travers le conduit jusqu'à la boîte de jonction, en laissant au moins quatre (4) pieds de cordon au niveau de l'appareil d'éclairage pour l'enrouler dans la base de la niche de lumière, voir *Figure 1*. Les quatre (4) pieds de cordon permettent d'entretenir la lumière une fois la piscine remplie d'eau.
2. Couper le cordon au niveau de la boîte de jonction, en laissant au moins six (6) pouces de cordon pour effectuer les connexions.
3. Dénuder six (6) pouces de la gaine extérieure du cordon pour exposer les trois fils isolés. *Veiller à ne pas endommager l'isolation sur les trois (3) fils intérieurs.*
4. Installer le serre-câble sur la gaine du cordon et connecter les fils des lumières au contrôleur, noir à orange, blanc à orange et vert à la borne de terre. Installer le couvercle de la boîte de jonction.
5. Enrouler la longueur de cordon de quatre (4) pieds autour de l'appareil d'éclairage ou dans la base de la niche de la piscine, et placer l'ensemble de l'éclairage dans la niche.
6. Engager la languette de retenue au bas de la bague frontale, puis faire pivoter le haut de l'appareil d'éclairage vers l'intérieur et serrer la vis pilote spéciale.

AVERTISSEMENT

Utiliser uniquement la vis pilote spéciale fournie avec cette lampe sous-marine. Cette vis monte et met à la terre électriquement le boîtier en toute sécurité sur l'anneau de montage et la niche humide. Le fait de ne pas utiliser la vis fournie pourrait créer un danger électrique, pouvant entraîner la mort ou des blessures graves pour les utilisateurs de la piscine ou du spa, les installateurs ou autres en raison d'un choc électrique.

7. Remplir la piscine jusqu'à ce que la lumière sous-marine soit complètement immergée dans l'eau avant de faire fonctionner la lumière pendant plus de 10 secondes. La lumière chauffe rapidement lorsqu'elle est utilisée en dehors de l'eau. Allumer le disjoncteur, qui fait fonctionner le contrôleur des lumières DEL Infinite WaterColors.

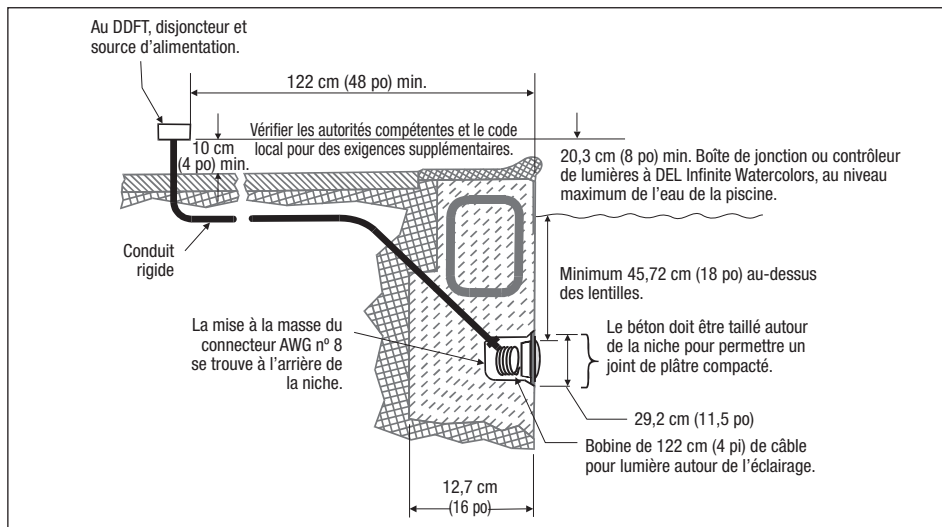


Figure 1. Installation des lumières Jandy Infinite WaterColors

⚠ AVERTISSEMENT

Ne jamais utiliser cette lampe sous-marine pendant plus de 10 secondes à moins qu'elle ne soit totalement immergée dans l'eau. Sans submersion totale, l'ensemble d'éclairage deviendra extrêmement chaud, ce qui peut entraîner de graves brûlures ou le bris de l'ampoule ou de la lentille. Cela peut entraîner des blessures graves pour les utilisateurs de la piscine ou du spa, les installateurs voire des passants ou des dommages matériels.

Section 3. Installation dans une piscine ou spa existant

⚠ AVERTISSEMENT

RISQUE DE DÉCHARGE ÉLECTRIQUE OU D'ÉLECTROCUTION. Cet éclairage sous-marin doit être installé par un électricien agréé ou certifié ou un technicien de piscine qualifié conformément au Code national de l'électricité et à tous les codes et ordonnances locaux applicables. Une installation inadéquate génèrera des risques électriques qui pourraient entraîner la mort ou des blessures corporelles graves aux utilisateurs de la piscine ou du spa, aux installateurs ou à d'autres en raison d'une décharge électrique, en plus de causer des dommages à la propriété.

Toujours déconnecter l'alimentation à la lumière de couleur au disjoncteur avant d'installer ou d'entreprendre l'entretien du projecteur. Omettre de le faire pourrait entraîner la mort ou des blessures corporelles graves à la personne qui en fait l'entretien, aux utilisateurs de la piscine ou du spa ou à d'autres en raison d'une décharge électrique.

3.1 Préparation pour le remplacement de l'appareil d'éclairage

Vérifier que la piscine répond aux exigences du National Electrical Code® (NEC) en vigueur et de tous les codes et ordonnances locaux. Avant d'installer le projecteur subaquatique, un électricien agréé ou accrédité doit installer le système électrique de manière à atteindre ou dépasser ces exigences. Certaines des exigences du Code national de l'électricité auxquelles le système électrique de piscine doit répondre sont les suivantes :

⚠ AVERTISSEMENT

RISQUE DE DÉCHARGE ÉLECTRIQUE OU D'ÉLECTROCUTION, qui pourrait entraîner des blessures corporelles graves ou la mort. Un disjoncteur différentiel de fuite à la terre (DDFT, au Canada : Type classe A) devrait être utilisé, si requis par le fabricant du transformateur, par les codes locaux applicables ou par l'autorité compétente. Lorsqu'un DDFT est utilisé, les conducteurs du côté demande du circuit ne doivent pas être installés dans les conduits, boîtes ou enceintes contenant d'autres conducteurs, à moins que les conducteurs supplémentaires soient également protégés par un DDFT. Tester régulièrement le DDFT. Voir les codes locaux pour plus de détails.

1. La boîte de jonction ou le contrôleur de lumières à DEL Infinite WaterColors convenant à une connexion directe par conduit aux lumières doit être situé à au moins huit (8) pouces au-dessus du niveau de l'eau, à au moins quatre (4) pouces au-dessus du niveau du sol et à au moins 48 pouces (4 pieds) de bord de la piscine, ou tel que requis par le code local. Se reporter à la Figure 1.
2. L'appareil d'éclairage et tous les objets métalliques à moins de cinq pieds (5) de la piscine doivent être reliés électriquement à un point fiable de mise à la terre de manière sûre.

- Une niche humide doit être installée de façon à ce que le bord supérieur du projecteur subaquatique soit à au moins 18 pouces sous la surface de l'eau de la piscine. Voir la *Figure 1*.
- La niche humide doit être adéquatement reliée électriquement et mise à la terre au moyen d'un connecteur de terre AWG n° 8 proche de l'arrière de la niche. Voir la *Figure 1*.

Pour s'assurer que le système électrique de la piscine répond à toutes les exigences applicables, l'électricien devrait également consulter le service du bâtiment local.

3.2 Remplacement de l'appareil d'éclairage

REMARQUE : Effectuer les étapes suivantes *uniquement* lorsque les exigences du système électrique sont atteintes.

⚠ AVERTISSEMENT

Le fait de ne pas mettre le système électrique de la piscine en conformité avec les exigences du code avant d'installer la lumière sous-marine créera un danger électrique pouvant entraîner la mort ou des blessures graves pour les utilisateurs de la piscine ou du spa, les installateurs ou d'autres personnes en raison d'un choc électrique, et peut également causer un dommage matériel.

REMARQUE : L'appareil d'éclairage peut être remplacé sans vider l'eau de la piscine.

- Éteindre l'interrupteur électrique **principal** ou le disjoncteur, qui actionne la lumière sous-marine.
- Dévisser la vis pilote spéciale en haut de l'anneau frontal et retirer l'ensemble d'éclairage de la niche, puis placer l'ensemble sur le pont.

⚠ AVERTISSEMENT

Veiller à utiliser uniquement la vis pilote spéciale fournie avec cette lampe sous-marine. Cette vis monte et met à la terre électriquement le boîtier en toute sécurité sur l'anneau de montage et la niche humide. Le fait de ne pas utiliser la vis fournie pourrait créer un danger électrique, pouvant entraîner la mort ou des blessures graves pour les utilisateurs de la piscine ou du spa, les installateurs ou autres en raison d'un choc électrique.

- Retirer le couvercle de la boîte de jonction, déconnecter les fils de l'appareil d'éclairage et le serre-câble, puis tirer le cordon hors du conduit de la niche.
- Acheminer le nouveau cordon du luminaire à travers le conduit de la niche à la boîte de jonction.

REMARQUE : Selon la longueur du conduit, des outils spéciaux peuvent être nécessaires pour tirer le cordon à travers le conduit.

- Laisser au moins quatre (4) pieds de cordon au niveau de l'appareil d'éclairage pour l'enrouler dans la base de la niche de lumière, voir *Figure 1*. Ceci permet d'entretenir la lumière une fois la piscine remplie d'eau.
- Couper le cordon au niveau de la boîte de jonction, en laissant au moins six (6) pouces de cordon pour effectuer les connexions.

- Dénuder six (6) pouces de la gaine extérieure du cordon pour exposer les trois fils isolés. *Veiller à ne pas endommager l'isolation sur les trois (3) fils intérieurs.*
- Installer le serre-câble sur la gaine du cordon et connecter les fils des lumières au contrôleur, noir à orange, blanc à orange et vert à la borne de terre. Installer le couvercle de la boîte de jonction.
- Reposer l'ensemble d'éclairage dans la niche et serrer la vis pilote spéciale.

⚠ AVERTISSEMENT

Utiliser uniquement la vis pilote spéciale fournie avec cette lampe sous-marine. Cette vis monte et met à la terre électriquement le boîtier en toute sécurité sur l'anneau de montage et la niche humide. Le fait de ne pas utiliser la vis fournie pourrait créer un danger électrique, pouvant entraîner la mort ou des blessures graves pour les utilisateurs de la piscine ou du spa, les installateurs ou autres en raison d'un choc électrique.

- Remplir la piscine jusqu'à ce que la lumière sous-marine soit complètement immergée dans l'eau avant de faire fonctionner la lumière pendant plus de 10 secondes. Allumer l'interrupteur principal ou le disjoncteur, qui actionne l'éclairage sous l'eau, pour vérifier le bon fonctionnement.

⚠ AVERTISSEMENT

Ne jamais utiliser cette lampe sous-marine pendant plus de 10 secondes à moins qu'elle ne soit totalement immergée dans l'eau. Sans submersion totale, l'ensemble d'éclairage deviendra extrêmement chaud, ce qui peut entraîner de graves brûlures ou le bris de l'ampoule ou de la lentille. Cela peut entraîner des blessures graves pour les utilisateurs de la piscine ou du spa, les installateurs voire des passants ou des dommages matériels.

Section 4. Options d'installation du contrôleur

Les lumières à DEL Jandy Infinite WaterColors sont conçues pour être alimentées et utilisées avec le contrôleur de lumière à DEL Jandy Infinite WaterColors. Suivre toutes les instructions d'installation et d'utilisation.

REMARQUE : Les lumières Jandy Infinite WaterColors à DEL ne fonctionnera pas correctement avec les variateurs de lumière. Ne pas câbler les lumières Jandy à un circuit de gradation.

NE PAS CONNECTER DEUX ALIMENTATIONS D'ÉLECTRICITÉ OU PLUS EN PARALLÈLE.

4.1 Câblage à un système de commande AquaLink® RS

Les lumières à DEL Jandy Infinite WaterColors doivent être câblées dans le système de commande Jandy AquaLink® RS pour le fonctionnement des lumières.

Se reporter à la *Figure 2* pour le schéma du système Infinite WaterColors qui montre les connexions de la lumière à la commande et au système AquaLink.

4.2 Câbler la commande d'éclairage

1. Faites une ouverture dans le compartiment de droite.
2. Faire passer l'appareil d'éclairage à basse tension par un connecteur de conduit et la fixer au boîtier.
3. Connectez les câbles à basse tension du noir à l'orange et du blanc à l'orange.
4. Connecter le fil de mise à la terre à la barre bus.

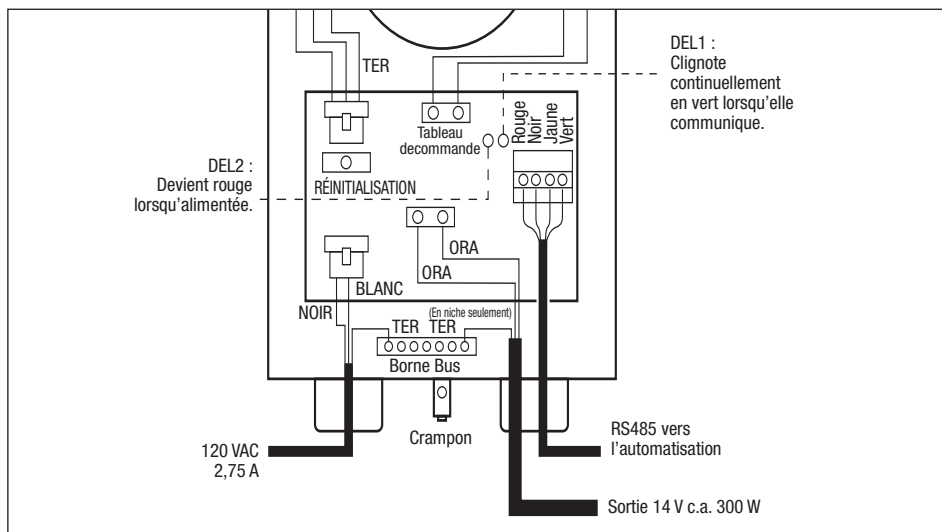


Figure 2. Schéma de câblage du contrôleur d'éclairage à DEL Jandy Infinite WaterColors

Section 5. Caractéristiques de l'application iAquaLink®

Télécharger l'application iAquaLink et/ou faire la mise à niveau vers la dernière version avant de configurer l'éclairage et la zone. La fonction et la conception de l'application sont sujettes à des modifications.

5.1 Configuration de l'éclairage

1. Ouvrir l'application sur votre appareil.
2. Depuis la page Mes systèmes, sélectionnez votre piscine.
3. Depuis la page d'accueil, choisir l'icône du système de rouages dans le coin droit en haut et sélectionner Configuration du système.

5.1.1 Assigner les lumières

1. Depuis la page de Configuration du système, sélectionner Configuration de l'éclairage et Assigner les luminaires.
2. Depuis la fenêtre contextuelle Assigner les luminaires, choisir de continuer le processus.
3. Depuis la page de Configuration de la zone d'éclairage, sélectionner un éclairage et le déplacer vers une zone différente et suivre les autres instructions dans l'application.

REMARQUE : En quittant la page de Configuration de la zone d'éclairage, les lumières s'éteindront. Les luminaires doivent être assignés à une zone afin de pouvoir renommer la zone.

5.1.2 Nommer les zones de lumière

1. Aller à > Configuration du système > Configuration lumière > Nom zone.

2. Depuis la fenêtre contextuelle de Modification du nom de la zone, saisir le nom de la zone et cliquer sur OK.

5.2 Éteindre et allumer les lumières

1. Ouvrir l'application sur l'appareil
2. Depuis la page Mes systèmes, sélectionnez votre piscine.
3. Choisir la page de l'équipement.
4. Éteindre et allumer les zones d'éclairage en faisant basculer vers la droite de la zone voulue.

5.3 Sélectionner les couleurs

1. Ouvrir l'application sur l'appareil.
2. Depuis la page Mes systèmes, sélectionnez votre piscine.

5.3.1 Sélectionner une couleur personnalisée

1. Aller à > Page équipement.
2. Depuis la page équipement, choisir la zone qui doit changer de couleur.
3. Depuis la page des zones, choisir la couleur personnalisée.
4. Choisir la couleur personnalisée de la roue chromatique.
5. Choisir Appliquer, pour appliquer la couleur personnalisée à la zone.

5.3.2 Préréglage de couleurs

1. Aller à la page équipement, sélectionner la zone qui doit changer de couleur.
2. Après avoir sélectionner la zone, choisir dans la liste de couleurs prédéterminées pour appliquer la couleur choisie à votre zone.

5.3.3 Affichages de couleurs prédéterminées

1. Ouvrir l'application sur l'appareil.
2. Après avoir sélectionné la zone, choisir de la liste de spectacles de couleurs prédéterminées affichées pour appliquer la couleur choisie à votre zone.
3. Après avoir sélectionné la zone, choisissez dans la liste des spectacles de couleurs prédéfinis pour appliquer ce spectacle de couleurs prédéfini à votre zone.

5.4 Ajuster la luminosité

1. Depuis la page de l'équipement, sélectionner l'icône du soleil sur la zone où la luminosité doit être ajustée.
2. Déplacer le curseur vers le haut ou le bas avec le doigt puis cliquer pour appliquer le changement de luminosité.

Section 6. Contenu en ligne supplémentaire

Pour plus d'informations sur les points suivants, veuillez vous référer au manuel en ligne :

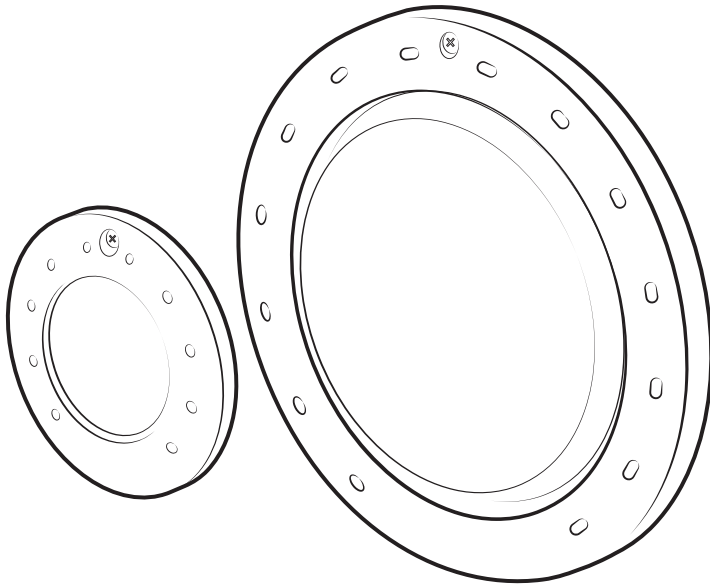
- Aperçu du produit
- Configurer OneTouch
- Contrôle de luminaires par Alexa d'Amazon
- Dépannage



Intertek

HOMOLOGUÉ
ETL CONFORME
À LA NORME UL
STD 676

HOMOLOGUÉ CSA
C22.2 N° 89



Infinite WaterColors™ luces LED para piscinas e hidromasajes

Este producto requiere revisión de AquaLink® RS Y o posterior

En este manual se incluyen las instrucciones esenciales de instalación y puesta en marcha. La información adicional sobre el funcionamiento y la solución de problemas se tiene disponible en línea escaneando el código QR con su teléfono o visitando jandy.com



ADVERTENCIA

PARA SU SEGURIDAD – La instalación y el servicio de este producto deben estar a cargo de un contratista cualificado y matriculado para trabajar con equipamientos para piscinas en la jurisdicción en la que se instalará el producto, donde existan tales requisitos estatales o locales. El técnico de servicio debe ser profesional y contar con experiencia suficiente en instalación y mantenimiento de equipamientos para piscinas, para que todas las instrucciones de este manual se puedan seguir exactamente. Antes de instalar este producto, lea y siga todos los avisos de advertencia y las instrucciones que se proporcionan con el producto. Si no se siguen los avisos de advertencia o las instrucciones, es posible que se produzcan daños materiales, lesiones personales o la muerte. Una instalación u operación incorrectas pueden anular la garantía.

La instalación o la operación inadecuadas pueden generar peligros eléctricos no deseados que pueden provocar lesiones graves, daños materiales o la muerte. **DO NO MODIFIQUE ESTE EQUIPO.**



ATENCIÓN INSTALADOR – Este manual contiene información importante acerca de la instalación, la operación y la utilización seguras de este producto. Esta información debe proporcionarse al propietario/operador de este equipo.

Contenido

Sección 1. Instrucciones importantes de seguridad.....	18	Sección 4. Opciones de cableado del controlador	22
Sección 2. Instalación en nuevas construcciones.....	19	4.1 Cableado a un sistema de control AquaLink® RS	23
2.1 Preparación del accesorio de luz para su instalación	19	4.2 Cableado del controlador de luz	23
2.2 Instalación del accesorio de luz	20	Sección 5. Características de la aplicación iAquaLink®.....	23
Sección 3. Instalación de piscina o hidromasaje existente	21	5.1 Configuración de las luces	23
3.1 Preparación del accesorio de luz para su reemplazo	21	5.2 Encender/Apagar luces	23
3.2 Reemplazo del accesorio de luz.....	22	5.3 Selección de los colores.....	23
		5.4 Ajustar el brillo	24
		Sección 6. Contenido adicional en línea....	24

Declaración de cumplimiento normativo en conformidad con la FCC

Este dispositivo cumple con la parte 15 de las reglas de la FCC. El funcionamiento está sujeto a las dos condiciones siguientes:

1. Este dispositivo no puede provocar interferencias nocivas.
2. Este dispositivo debe aceptar cualquier interferencia recibida, incluidas las interferencias que pueden provocar un funcionamiento no deseado.

PRECAUCIÓN

Cualquier cambio o modificación no aprobado expresamente por la parte responsable del cumplimiento puede anular el permiso del usuario para operar el equipo.

NOTA: Este equipo se probó, y se determinó que cumple con los límites de dispositivo digital de Clase B, en conformidad con la parte 15 de las reglas de la FCC. Estos límites están diseñados para proporcionar una protección razonable contra las interferencias perjudiciales en una instalación residencial. Este equipo genera, usa y puede irradiar energía de radiofrecuencia y, si no se instala y usa de conformidad con las instrucciones, puede provocar interferencias perjudiciales para las comunicaciones por radio. Sin embargo, no se garantiza que no habrá interferencias en una instalación en particular. Si este equipo provoca interferencias perjudiciales para la recepción de radios o televisores, lo que puede determinarse al encender y apagar el equipo, se recomienda al usuario intentar corregir la interferencia mediante uno o más de los métodos siguientes:

- Reorientar o cambiar la ubicación de la antena receptora.
- Aumentar la distancia entre el equipo y el receptor.
- Conectar el equipo a una toma que no esté en el mismo circuito en el que está conectado el receptor.
- Solicite ayuda al vendedor o a un técnico experto en radio y TV.

Sección 1. Instrucciones importantes de seguridad

INSTRUCCIONES IMPORTANTES DE SEGURIDAD EN RELACIÓN CON EL RIESGO DE INCENDIOS, DESCARGAS ELÉCTRICAS O LESIONES PERSONALES

LEA Y SIGA TODAS LAS INSTRUCCIONES

Las luces para piscinas e hidromasajes Jandy Infinite WaterColors están diseñadas para energizarse y operarse con el controlador de luces LED Infinite WaterColors. Las luces no funcionarán si se energizan con un transformador alternativo. Siga todas las instrucciones de instalación y operación que acompañan este producto, con el controlador de luces LED Infinite WaterColors (modelo IWCLC300W).

Cuando se instale y utilice este equipo eléctrico, se deberán cumplir siempre las precauciones básicas de seguridad, incluidas las siguientes:

⚠ ADVERTENCIA

RIESGO DE DESCARGA ELÉCTRICA O ELECTROCUCIÓN. Un electricista matriculado o certificado debe instalar esta luz sumergida en conformidad con National Electrical Code® y los códigos y las ordenanzas locales aplicables. En Canadá, deben cumplirse Canadian Electrical Code y todos los códigos y ordenanzas locales aplicables. La instalación incorrecta creará un peligro eléctrico, que podría resultar en la muerte o en lesiones graves a los usuarios de la piscina o del hidromasaje, a los instaladores, o a terceros debido a una descarga eléctrica, y también puede producir daños materiales. Lea y siga las instrucciones específicas a continuación.

Antes de instalar esta luz sumergida, lea y siga todos los avisos de advertencia y las instrucciones que se proporcionan con ella. Si no se siguen las advertencias de seguridad y las instrucciones, es posible que se produzcan lesiones graves, muerte, o daños materiales.

⚠ PRECAUCIÓN

Excepto cuando las luces LED Jandy Infinite WaterColors se instalan en un área de la piscina que no se usa para nadar y la lente está adecuadamente protegida para evitar que cualquier persona entre en contacto con ella, la luz debe instalarse en o sobre una pared de la piscina, con la parte superior de la apertura de la lente a no menos de 18 pulgadas (457 mm) por debajo del nivel normal de agua de la piscina.

AVISO

Las luces LED Jandy Infinite WaterColors están diseñadas para instalarse en piscinas con agua dulce y salada. Es importante asegurar que los nichos húmedos en los que se instalan las luces estén diseñados para la aplicación correcta, en piscinas tanto de agua dulce como salada.

GUARDE ESTAS INSTRUCCIONES

Sección 2. Instalación en nuevas construcciones

Las luces LED para piscinas e hidromasajes Jandy Infinite WaterColors están diseñadas para energizarse y operarse con el controlador de luces LED Infinite WaterColors. Siga todas las instrucciones de instalación y operación.

⚠ ADVERTENCIA

RIESGO DE DESCARGA ELÉCTRICA O ELECTROCUCIÓN.

Un electricista matriculado o certificado, o una persona cualificada en el servicio de piscinas, deben instalar esta luz sumergida en conformidad con National Electrical Code y todos los códigos y todas las ordenanzas locales aplicables. La instalación incorrecta creará un peligro eléctrico, que podría resultar en la muerte o en lesiones graves a los usuarios de la piscina o del hidromasaje, a los instaladores o a terceros debido a una descarga eléctrica, y también puede producir daños materiales.

Desconecte siempre la energía a la luz de color en el disyuntor antes de instalar o dar servicio a la luz. Si no lo hace, la persona de servicio, los usuarios de la piscina o del hidromasaje, o terceros, podrían morir o sufrir lesiones graves debido a una descarga eléctrica.

2.1 Preparación del accesorio de luz para su instalación

NOTA: El electricista debe llevar a cabo pasos de preparación antes de instalar el accesorio de luz. Consulte la *Figura 1*.

Asegúrese de que la piscina cumpla los requisitos de la versión actual de National Electrical Code® y todos los códigos y las ordenanzas locales. Un electricista matriculado o certificado debe instalar el sistema eléctrico para satisfacer o exceder dichos requisitos antes de instalar la luz sumergida. Algunos requisitos de National Electrical Code que los sistemas eléctricos de las piscinas deben cumplir son los siguientes:

⚠ ADVERTENCIA

Para minimizar el riesgo de descarga eléctrica o electrocución, que podrían resultar en lesiones o en la muerte, para la conexión de alimentación de las luces de bajo voltaje use solo el controlador de luces LED Jandy Infinite WaterColors, que es una fuente de alimentación de bajo voltaje aislante, evaluada por un laboratorio de pruebas con reconocimiento nacional (NRTL) destinada para su uso con luminarias sumergibles para el uso en piscinas.

⚠ ADVERTENCIA

RIESGO DE DESCARGA ELÉCTRICA O ELECTROCUCIÓN,

que pueden resultar en lesiones graves o en la muerte. Debe usarse un interruptor de circuito por falla a tierra (GFCI, en Canadá de tipo Clase A) si lo requieren el fabricante del transformador o el código local aplicable y la autoridad con jurisdicción (AHJ). Cuando se use un GFCI, los conductores en el lado de carga del circuito del GFCI no deben ocupar conductos, cajas ni cerramientos que contengan otros conductores, a no ser que los conductores adicionales también estén protegidos mediante un GFCI. Consulte los códigos locales para obtener los detalles completos. Cuando se use un GFCI, los conductores en el lado de carga del circuito del GFCI no deben ocupar conductos, cajas ni cerramientos que contengan otros conductores, a no ser que los conductores adicionales también estén protegidos mediante un GFCI. Pruebe el GFCI de manera rutinaria. Consulte los códigos locales para obtener los detalles completos.

1. La caja de conexiones o el controlador de luces LED Infinite WaterColors adecuados para la conexión con conducto directo a las luces deben estar ubicados a al menos ocho (8) pulgadas por arriba del nivel del agua, a al menos cuatro (4) pulgadas por arriba del nivel del piso y a al menos 48 pulgadas (4 ft) de distancia del borde de la piscina, o según lo requiera el código local. Consulte la *Figura 1*.
2. El accesorio de luz y todos los elementos metálicos a menos de cinco (5) ft de la piscina deben conectarse equipotencialmente de manera correcta a un punto confiable de conexión a tierra.
3. El nicho húmedo debe instalarse correctamente, de modo que el borde superior de la lente de la luz sumergida esté a al menos 18 pulgadas por debajo de la superficie del agua en la piscina. Consulte la *Figura 1*.
4. El nicho húmedo debe conectarse equipotencialmente y debe conectarse a tierra correctamente mediante el conector de conexión a tierra n.º 8 AWG ubicado en la parte posterior del nicho. Consulte la *Figura 1*.

National Electrical Code® (NEC®) requiere la conexión equipotencial del agua de la piscina. Cuando ninguno de los equipos, de las estructuras o de las piezas de la piscina con conexión equipotencial están en conexión directa con el agua de la piscina, el agua de la piscina debe estar en contacto directo con una superficie conductora aprobada resistente a la corrosión que exponga no menos de 5800 mm² (9 in²) del área superficial al agua de la piscina en todo momento. La superficie conductora debe estar ubicada donde no esté expuesta a daños físicos ni a su desalojamiento durante las actividades habituales en la piscina, y debe estar conectada equipotencialmente según los requisitos de conexión equipotencial de NEC Artículo 680. Consulte los códigos aplicados localmente para cualquier requisito adicional de conexión equipotencial de piscinas e hidromasajes.

NOTA: Para asegurarse de que el sistema eléctrico de la piscina cumpla todos los requisitos aplicables, el electricista debe consultar también al departamento de construcción local.

Utilice únicamente nichos húmedos aprobados (consulte la nota siguiente) para asegurar una instalación segura y correcta.

NOTA: Las luces Jandy se incluyen en ETL para su instalación *únicamente* con los accesorios de nicho húmedo de los fabricantes siguientes:

Números de modelo de nichos grandes:

Jandy: PLNICLRG, PLNICVFLRG, WT000002, SSNICLRG1R, SSNICLRG1S
 Pentair®: 620004, 78210200 a 700, 78210401
 Hayward® DuraNiche: SP0600U

Números de modelo de nichos pequeños:

Jandy: PLNICSM, SSNICSM,
 Pentair: 79206600

2.2 Instalación del accesorio de luz

NOTA: Lleve a cabo estos pasos *solo* después de que se cumplan los requisitos del sistema eléctrico.

1. Alimente el cable a través de conducto a la caja de conexiones. Deje al menos cuatro (4) ft de cable en el accesorio de luz para enrollarlo en la base del nicho de la luz. Consulte la *Figura 1*. Los cuatro (4) ft de cable permiten dar servicio a la luz después de llenar la piscina con agua.
2. Corte el cable en la caja de conexiones. Deje al menos seis (6) pulgadas de cable para hacer conexiones.
3. Pele seis (6) pulgadas de la camisa exterior del cable para exponer los tres alambres aislados. *Tenga cuidado de no dañar el aislamiento de los tres (3) alambres internos.*
4. Instale un alivio de tensión sobre la camisa del cable y conecte los alambres de la luz al controlador: negro a anaranjado, blanco a anaranjado y verde a la barra de bornes de conexión a tierra. Instale la cubierta de la caja de conexiones.
5. Enrolle los 4 ft de cable alrededor del accesorio o en la base del nicho de la piscina y coloque el conjunto de la luz en el nicho.
6. Coloque la lengüeta de retención en la parte inferior del anillo de la cara. A continuación, haga pivotar la parte superior del accesorio hacia adentro y apriete el tornillo piloto especial.

⚠ ADVERTENCIA

Utilice únicamente el tornillo piloto especial proporcionado con esta luz sumergida. Este tornillo monta y conecta a tierra eléctricamente el alojamiento de manera segura al anillo de montaje y al nicho húmedo. Si no se utiliza el tornillo suministrado, puede crearse un peligro eléctrico, lo que podría resultar en la muerte o en lesiones graves a los usuarios de la piscina o del hidromasaje, a los instaladores o a terceros debido a una descarga eléctrica.

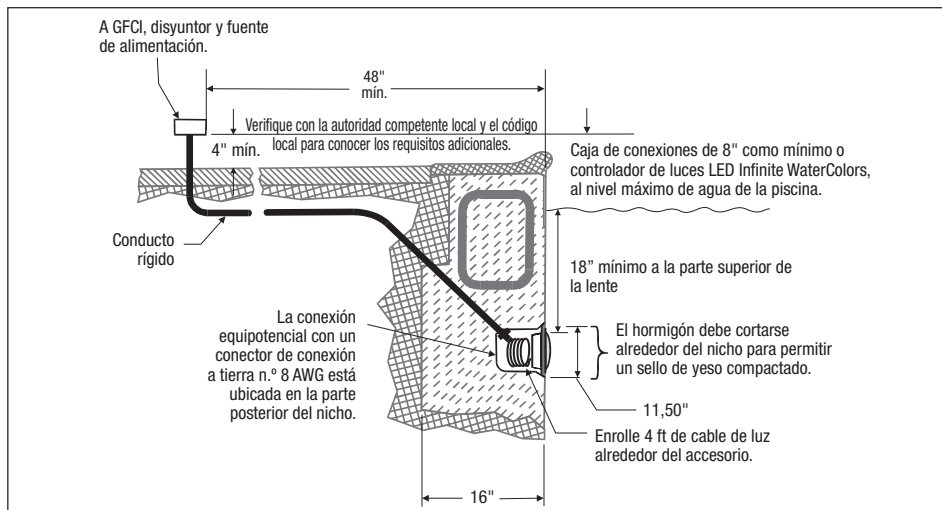


Figura 1. Instalación de las luces de Jandy Infinite WaterColors

7. Llene la piscina hasta que la luz sumergida esté completamente debajo del agua antes de operar la luz durante más de 10 segundos. La luz se calentará rápidamente si se opera fuera de agua. Encienda el disyuntor, que hace funcionar el controlador de luces LED Infinite WaterColors.

⚠ ADVERTENCIA

Nunca opere esta luz durante más de 10 segundos si no está completamente sumergida en agua. Si la luz no está completamente sumergida, el conjunto de la luz se pondrá extremadamente caliente, lo que puede resultar en quemaduras graves o en la rotura de la bombilla o de la lente. Esto puede resultar en lesiones graves para los usuarios de la piscina o del hidromasaje, los instaladores o las personas circundantes, o daños materiales.

Sección 3. Instalación de piscina o hidromasaje existente

⚠ ADVERTENCIA

RIESGO DE DESCARGA ELÉCTRICA O ELECTROCUCIÓN.

Un electricista matriculado o certificado, o una persona cualificada en el servicio de piscinas, deben instalar esta luz sumergida en conformidad con National Electrical Code y todos los códigos y todas las ordenanzas locales aplicables. La instalación incorrecta creará un peligro eléctrico, que podría resultar en la muerte o en lesiones graves a los usuarios de la piscina o del hidromasaje, a los instaladores o a terceros debido a una descarga eléctrica, y también puede producir daños materiales.

Desconecte siempre la energía a la luz de color en el disyuntor antes de instalar o dar servicio a la luz. Si no lo hace, la persona de servicio, los usuarios de la piscina o del hidromasaje, o terceros, podrían morir o sufrir lesiones graves debido a una descarga eléctrica.

3.1 Preparación del accesorio de luz para su reemplazo

Verifique que la piscina cumpla los requisitos de la versión actual de National Electrical Code® (NEC) y todos los códigos y las ordenanzas locales. Un electricista matriculado o certificado debe instalar el sistema eléctrico para satisfacer o exceder dichos requisitos antes de instalar la luz sumergida. Algunos requisitos de National Electrical Code que el sistema eléctrico de la piscina debe cumplir son los siguientes:

⚠ ADVERTENCIA

RIESGO DE DESCARGA ELÉCTRICA O ELECTROCUCIÓN,

que pueden resultar en lesiones graves o en la muerte. Debe usarse un interruptor de circuito por falla a tierra (GFCI, en Canadá de tipo Clase A) si lo requieren el fabricante del transformador o el código local aplicable y la autoridad con jurisdicción (AHJ). Cuando se use un GFCI, los conductores en el lado de carga del circuito del GFCI no deben ocupar conductos, cajas ni cerramientos que contengan otros conductores, a no ser que los conductores adicionales también estén protegidos mediante un GFCI. Pruebe el GFCI de manera rutinaria. Consulte los códigos locales para obtener los detalles completos.

1. La caja de conexiones o el controlador de luces LED Infinite WaterColors adecuados para la conexión con conducto directo a las luces deben estar ubicados a al menos ocho (8) pulgadas por arriba del nivel del agua, a al menos cuatro (4) pulgadas por arriba del nivel del piso y a al menos 48 pulgadas (4 ft) de distancia del borde de la piscina, o según lo requiera el código local. Consulte la *Figura 1*.
2. El accesorio de luz y todos los elementos metálicos a menos de cinco (5) ft de la piscina deben conectarse equipotencialmente de manera correcta a un punto confiable de conexión a tierra.

- El nicho húmedo debe instalarse correctamente, de modo que el borde superior de la lente de la luz sumergida esté a al menos 18 pulgadas por debajo de la superficie del agua en la piscina. Consulte la *Figura 1*.
- El nicho húmedo debe conectarse equipotencialmente y debe conectarse a tierra correctamente mediante el conector de conexión a tierra n.º 8 AWG ubicado en la parte posterior del nicho. Consulte la *Figura 1*.

Para asegurarse de que el sistema eléctrico de la piscina cumpla todos los requisitos aplicables, el electricista debe consultar también al departamento de construcción local.

3.2 Reemplazo del accesorio de luz

NOTA: Lleve a cabo estos pasos *solo* después de que se cumplan los requisitos del sistema eléctrico.

ADVERTENCIA

Si no se cumplen los requisitos de los códigos con el sistema eléctrico de la piscina antes de instalar la luz sumergida, se creará un peligro eléctrico que podría resultar en la muerte o en lesiones graves a los usuarios de la piscina o del hidromasaje, a los instaladores, o a terceros debido a una descarga eléctrica, y también puede producir daños materiales.

NOTA: Es posible reemplazar el accesorio de luz sin extraer agua de la piscina.

- Apague el interruptor eléctrico o disyuntor principal que hace funcionar la luz sumergida.
- Desatornille el tornillo piloto especial de la parte superior del anillo de la cara y extraiga el conjunto de la luz del nicho. Coloque el conjunto sobre la plataforma.

ADVERTENCIA

Asegúrese de conservar el tornillo piloto especial proporcionado con esta luz sumergida. Este tornillo monta y conecta a tierra eléctricamente el alojamiento de manera segura al anillo de montaje y al nicho húmedo. Si no se utiliza el tornillo suministrado, puede crearse un peligro eléctrico, lo que podría resultar en la muerte o en lesiones graves a los usuarios de la piscina o del hidromasaje, a los instaladores o a terceros debido a una descarga eléctrica.

- Extraiga la cubierta de la caja de conexiones, desconecte los alambres del accesorio de luz y el alivio de tensión, y a continuación tire del cable para extraerlo del conducto desde el nicho.
- Tienda el cable del nuevo accesorio de luz a través del conducto desde el nicho a la caja de conexiones.

NOTA: Según el largo del conducto, es posible que se requieran herramientas especiales para tirar del cable a través del conducto.

- Deje al menos cuatro (4) ft de cable para enrollarlos alrededor del accesorio de luz o enrollados en la en la base del nicho de la luz. Consulte la *Figura 1*. Esto permite dar servicio a la luz después de llenar la piscina con agua.
- Corte el cable en la caja de conexiones. Deje al menos seis (6) pulgadas de cable para hacer conexiones.
- Pelee seis (6) pulgadas de la camisa exterior del cable para exponer los tres alambres aislados. *Tenga cuidado de no dañar el aislamiento de los tres (3) alambres internos.*
- Instale un alivio de tensión sobre la camisa del cable y conecte los alambres de la luz al controlador: negro a anaranjado, blanco a anaranjado y verde a la barra de bornes de conexión a tierra. Instale la cubierta de la caja de conexiones.
- Vuelva a colocar el conjunto de la luz en el nicho y apriete el tornillo piloto especial.

ADVERTENCIA

Utilice únicamente el tornillo piloto especial proporcionado con esta luz sumergida. Este tornillo monta y conecta a tierra eléctricamente el alojamiento de manera segura al anillo de montaje y al nicho húmedo. Si no se utiliza el tornillo suministrado, puede crearse un peligro eléctrico, lo que podría resultar en la muerte o en lesiones graves a los usuarios de la piscina o del hidromasaje, a los instaladores o a terceros debido a una descarga eléctrica.

- Llene la piscina hasta que la luz sumergida esté completamente debajo del agua antes de operar la luz durante más de 10 segundos. Encienda el interruptor o disyuntor principal que opera la luz sumergida para verificar el funcionamiento correcto.

ADVERTENCIA

Nunca opere esta luz durante más de 10 segundos si no está completamente sumergida en agua. Si la luz no está completamente sumergida, el conjunto de la luz se pondrá extremadamente caliente, lo que puede resultar en quemaduras graves o en la rotura de la bombilla o de la lente. Esto puede resultar en lesiones graves para los usuarios de la piscina o del hidromasaje, los instaladores o las personas circundantes, o daños materiales.

Sección 4. Opciones de cableado del controlador

Las luces LED en nicho Jandy Infinite WaterColors están diseñadas para energizarse y operarse con el controlador de luces LED Jandy Infinite WaterColors. Siga todas las instrucciones de instalación y operación.

NOTA: Las luces LED Jandy Infinite WaterColors no funcionarán correctamente con atenuadores. No cablee las luces Jandy a ningún circuito con atenuador.

NO CONECTE DOS O MÁS FUENTES DE ALIMENTACIÓN EN PARALELO.

4.1 Cableado a un sistema de control AquaLink® RS

Las luces LED Jandy Infinite WaterColors deben cablearse a un sistema de control Jandy AquaLink® RS para la operación de las luces.

Consulte la *Figura 2* para obtener el diagrama del cableado de Infinite WaterColors, que muestra las conexiones de las luces al controlador y el sistema AquaLink.

4.2 Cableado del controlador de luz

1. Produzca una abertura en el compartimiento correcto.
2. Pase la luz de bajo voltaje a través de un conector de conducto y fije al cerramiento.
3. Conecte los cables de bajo voltaje negro a anaranjado y blanco a anaranjado.
4. Conecte el cable de conexión a tierra a la barra de bus.

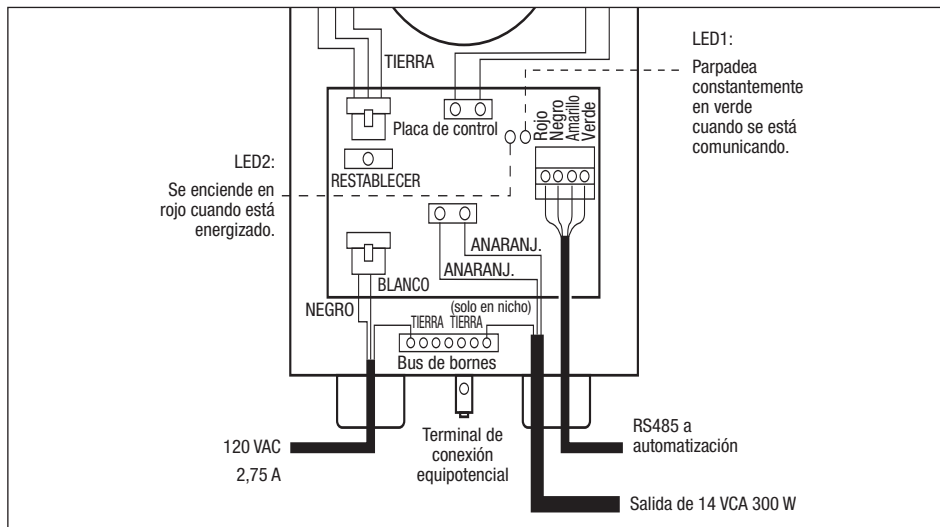


Figura 2. Diagrama de cableado del controlador de luces LED Jandy Infinite WaterColors

Sección 5. Características de la aplicación iAquaLink®

Descargue la aplicación iAquaLink y/o actualice a la última versión antes de configurar la luz y la zona. La función y el diseño de la aplicación están sujetos a cambios.

5.1 Configuración de las luces

1. Abra la aplicación en su dispositivo.
2. En la página My System (Mi sistema), elija su piscina.
3. En la página de inicio, elija el ícono del sistema del engranaje.

5.1.1 Asigne las luces

1. En la página System Setup (Configuración del sistema), elija Light Setup (Configuración de las luces) y Assign Lights (Asignar luces).
2. En la ventana emergente Assign Lights (Asignar luces), elija Proceed (Proceder).
3. En la página Light Zone Setup (Configuración de la zona de luces), elija una luz para moverla a una zona diferente y siga las instrucciones adicionales en la aplicación.

NOTA: Al salir de la página de configuración de la zona de luz, las luces se apagarán.

Las luces deben asignarse a una zona para cambiar el nombre de la zona.

5.1.2 Asigne un nombre a las zonas de luz

1. Vaya a > System Setup (Configuración del sistema) > Light Setup (Configuración de las luces) > Zone Name (Nombre de la zona).
2. En la ventana emergente Edit Zone Name (Editar nombre de la zona), ingrese el nombre de la zona y elija OK (Aceptar).

5.2 Encender/Apagar luces

1. Abra la aplicación en su dispositivo.
2. En la página My System (Mi sistema), elija su piscina.
3. Elija la página del equipo.
4. Encienda o apague las luces de zona tocando el interruptor a la derecha de la zona deseada.

5.3 Selección de los colores

1. Abra la aplicación en su dispositivo.
2. En la página My System (Mi sistema), elija su piscina.

5.3.1 Seleccionar color personalizado

1. Vaya a > página del equipo.
2. Desde la página del equipo, elija la zona cuyo color que desea cambiar.
3. En la página de esa zona, elija Custom Color (Color personalizado).
4. Elija el color personalizado en la rueda de colores.
5. Elija Apply (Aplicar) para aplicar el color personalizado a la zona.

5.3.2 Colores preestablecidos

1. Vaya a > página del equipo y elija la zona que desea cambiar de color.
2. Después de seleccionar la zona, elija un color preestablecido de la lista para aplicarlo a la zona.

5.3.3 Espectáculos de colores preestablecidos

1. Vaya a > página del equipo.
2. Desde la página del equipo, elija la zona cuyo color que desea cambiar.
3. Después de seleccionar la zona, elija un espectáculo de colores preestablecido de la lista para aplicarlo a la zona.

5.4 Ajustar el brillo

1. Desde la página del equipo, elija el ícono del sol en la zona que desea cambiar para ajustar el brillo.
2. Mueva la barra de brillo hacia arriba o hacia abajo con el dedo para ajustar el brillo de las luces.

Sección 6. Contenido adicional en línea

Para mayor información sobre el tema siguiente, refiérase por favor al manual en línea:

- Aspectos generales del producto
- Configuración de OneTouch
- Control de luces con Amazon Alexa
- Resolución de problemas