



## White LED Lights

### Underwater Large and Small Lights

Essential installation and startup instructions are included in this manual. Additional operation and troubleshooting information is available online by scanning the QR code with your phone or visiting [jandy.com](http://jandy.com)



### **WARNING**

**FOR YOUR SAFETY** – This product must be installed and serviced by a contractor who is licensed and qualified in pool equipment by the jurisdiction in which the product will be installed where such state or local requirements exist. The maintainer must be a professional with sufficient experience in pool equipment installation and maintenance so that all of the instructions in this manual can be followed exactly. Before installing this product, read and follow all warning notices and instructions that accompany this product. Failure to follow warning notices and instructions may result in property damage, personal injury, or death. Improper installation and/or operation may void the warranty.

Improper installation and/or operation can create unwanted electrical hazard which may cause serious injury, property damage, or death. **DO NOT MODIFY THIS EQUIPMENT.**



**ATTENTION INSTALLER** – This manual contains important information about the installation, operation and safe use of this product. This information should be given to the owner/operator of this equipment.

# Table of Contents

<b>Section 1. Important Safety Instructions ....</b>	<b>2</b>	<b>Section 4. Wiring Options for Controlling Jandy White LED Lights .....</b>	<b>6</b>
<b>Section 2. Installing Jandy Light During New Construction .....</b>	<b>3</b>	4.1 Wiring to an AquaLink® RS Control System.....	6
2.1 Preparing the Light Fixture for Installation.....	3	4.2 Wiring to a Time Clock .....	6
2.2 Installing the Light Fixture .....	4	4.3 Wiring to a Switch.....	6
2.3 Twelve (12) Volt Installation.....	5	<b>Section 5. Additional Online Content .....</b>	<b>7</b>
<b>Section 3. Replacing Jandy Light Fixture in an Existing Pool or Spa .....</b>	<b>5</b>		
3.1 Preparing the Light Fixture for Replacement.....	5		
3.2 Replacing the Light Fixture .....	5		

## FCC Regulatory Compliance Statement

This device complies with Part 15 of the FCC Rules. Operation is subject to the following two conditions:

1. This device may not cause harmful interference, and
2. This device must accept any interference received, including interference that may cause undesired operation.

<b>⚠ CAUTION</b>
------------------

Changes or modifications not expressly approved by the party responsible for compliance could void the user's authority to operate the equipment.
---

**NOTE:** This equipment has been tested and found to comply with the limits for a Class B digital device, pursuant to Part 15 of the FCC Rules. These limits are designed to provide reasonable protection against harmful interference in a residential installation. This equipment generates, uses and can radiate radio frequency energy and, if not installed and used in accordance with the instructions, may cause harmful interference to radio communications. However, there is no guarantee that interference will not occur in a particular installation. If this equipment does cause harmful interference to radio or television reception which can be determined by turning the equipment off and on, the user is encouraged to try to correct the interference by one or more of the following measures:

- Reorient or relocate the receiving antenna.
- Increase the separation between the equipment and receiver.
- Connect the equipment into an outlet on a circuit different from that to which the receiver is connected.
- Consult the dealer or an experienced radio/TV technician for help.

### Section 1. Important Safety Instructions

## IMPORTANT SAFETY INSTRUCTIONS PERTAINING TO A RISK OF FIRE, ELECTRIC SHOCK, OR INJURY TO PERSONS

### READ AND FOLLOW ALL INSTRUCTIONS

When installing and using this electrical equipment, basic safety precautions should always be followed, including the following:

**⚠ WARNING**

**RISK OF ELECTRICAL SHOCK OR ELECTROCUTION.** This underwater light must be installed by a licensed or certified electrician in accordance with the National Electrical Code and applicable local codes and ordinances. Improper installation will create an electrical hazard, which could result in death or serious injury to pool or spa users, installers, or others due to electrical shock, and may also cause damage to property. Read and follow the specific instructions below.

Before installing this underwater light, read and follow all warning notices and instructions accompanying this light. Failure to follow safety warnings and instructions can result in severe injury, death, or property damage.

**⚠ CAUTION**

Except when the Jandy White LED Lights are installed in an area of the swimming pool that is not used for swimming and the lens is adequately guarded to keep any person from contacting it, the light shall be installed in or on a wall of the pool, with the top of the lens opening not less than 18 inches (457 mm) below the normal water level of the pool.

**NOTICE**

The Jandy White LED Lights are intended for installation in fresh water and salt water swimming pools. It is important to ensure that the wet niches in which the lights are installed are intended for their appropriate application, either fresh water or salt water pools.

## SAVE THESE INSTRUCTIONS

### Section 2. Installing Jandy Light During New Construction

**⚠ WARNING**

**RISK OF ELECTRICAL SHOCK OR ELECTROCUTION.**

This underwater light must be installed by a licensed or certified electrician or a qualified pool serviceman in accordance with the National Electrical Code and all applicable local codes and ordinances in the US, the Canadian Electrical Code (“CEC” or C22.1) in Canada. Improper installation will create an electrical hazard, which could result in death or serious injury to pool or spa users, installers or others due to electrical shock, and may also cause damage to property.

Always disconnect the power to the light at the circuit breaker before installing or servicing the light. Failure to do so could result in death or serious injury to serviceman, pool or spa users or others due to electrical shock.

**⚠ WARNING**

**RISK OF ELECTRICAL SHOCK OR ELECTROCUTION**

which could result in serious injury or death. A Ground Fault Circuit Interrupter (GFCI) for 120 Volt transformers should be used if required by the transformer manufacturer or if required by the local applicable code and/or Authority Having Jurisdiction (AHJ). When a GFCI is used, the conductors on the load side of the GFCI circuit shall not occupy conduit boxes, or enclosures containing other conductors unless the additional conductors are also protected by a GFCI. Refer to local codes for complete details.

Some of the requirements of the National Electrical Code, which the pool electrical systems must meet, are as follows:

- The junction box (or, for 12 volt models, the low voltage transformer) must be located at least eight (8) inches above water level, at least four (4) inches above ground level, and at least four (4) feet from the edge of the pool, or per the junction box and/or transformer manufacturer’s instructions. See *Figure 1*.
- The light fixture and all metal items within five (5) feet of the pool must be properly electrically bonded to a reliable point of grounding.
- The wet niche must be properly installed so that the top edge of the underwater light’s lens is at least 18 inches below the surface of the water in the pool. See *Figure 1*.

#### 2.1 Preparing the Light Fixture for Installation

**NOTE:** The electrician must complete preparatory steps before light fixture is installed. See *Figure 1*.

Ensure that the pool meets the requirements of the current National Electrical Code® and all local codes in the US, the Canadian Electrical Code (“CEC” or C22.1) in Canada. A licensed or certified electrician must install the electrical system to meet or exceed those requirements before the underwater light is installed.

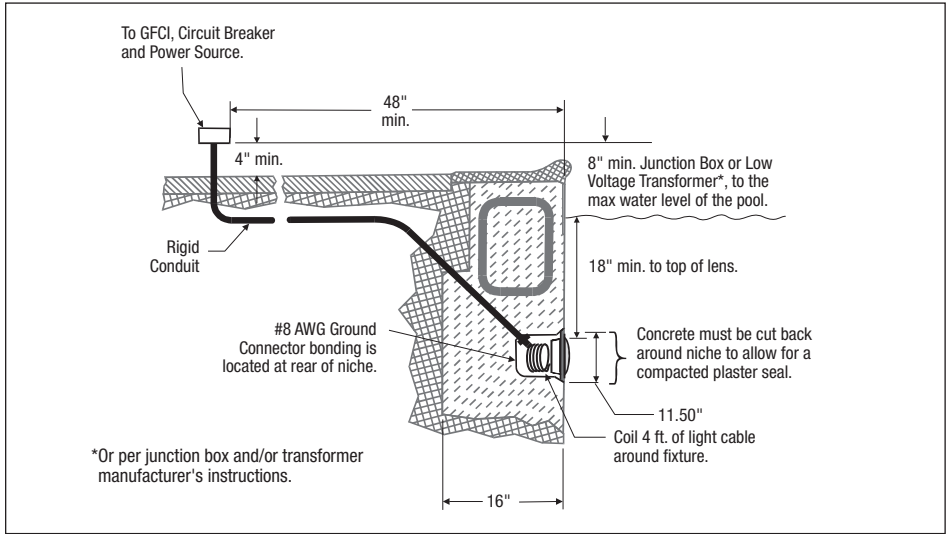
- The wet niche must be properly electrically bonded and grounded via the No. 8 AWG ground connector located at the rear of the niche. See *Figure 1*.

National Electrical Code® (NEC®) requires bonding of the Pool Water. Where none of the bonded pool equipment, structures, or parts are in direct connection with the pool water; the pool water shall be in direct contact with an approved corrosion-resistant conductive surface that exposes not less than 5800 mm<sup>2</sup> (9 in<sup>2</sup>) of the surface area to the pool water at all times. The conductive surface shall be located where it is not exposed to physical damage

or dislodgement during usual pool activities, and it shall be bonded in accordance with the bonding requirements of NEC Article 680. Refer to locally enforced codes for any additional pool and spa bonding requirements.

**NOTE:** To be certain that the pool's electrical system meets all applicable requirements, the electrician should also consult the local building department.

Use only approved wet niches (see following note) to ensure a safe and proper installation.



**Figure 1. Jandy LED Light Installation**

**NOTE:** Jandy lights are ETL listed for installation with *only* the following manufacturer's wet niche fixtures:

**Large Niche Model Numbers:**

Jandy: PLNICLRG, PLNICVFLRG, WT000002, SSNICLRG1R, SSNICLRG1S  
 Pentair®: 620004, 78210200 thru 700, 78210401  
 Hayward® DuraNiche: SP0600U

**Small Niche Model Numbers:**

Jandy: PLNICSM, SSNICSM  
 Pentair: 79206600

**2.2 Installing the Light Fixture**

**NOTE:** Perform these steps *only* after the electrical system requirements are met.

1. Feed cord through conduit to junction box, leaving at least four (4) feet of cord at the light fixture to coil into the base of the light niche, see *Figure 1*. The four (4) feet of cord allows the light to be serviced after the pool is filled with water.
2. Cut the cord at the junction box, leaving at least six (6) inches of cord to make connections.

3. Strip six (6) inches of the outer cord jacket to expose the three insulated wires. *Be careful not to damage the insulation on the three (3) inner wires.*
4. Install strain relief over cord jacket and connect all three (3) wires to the corresponding circuit wires in the junction box. Install the junction box cover.
5. Coil the 4-foot length of cord around the fixture or into the base of the pool niche, and place the light assembly into the niche.
6. Engage the retainer tab on the bottom of the face ring, then pivot the top of the fixture inward and tighten the special pilot screw.

<p><b>⚠ WARNING</b></p>
<p>Use only the special pilot screw provided with this underwater light. This screw mounts and electrically grounds the housing securely to the mounting ring and wet niche. Failure to use the screw provided could create an electrical hazard, which could result in death or serious injury to pool or spa users, installers or others due to electrical shock.</p>

7. Fill the pool until the underwater light is completely submerged in water before operating the light for more than 2 minutes. The light will heat up quickly when operated outside of water. Turn on main switch or circuit breaker, and the switch, which operates the underwater light, to check for proper operation.

### **⚠ WARNING**

Never operate this underwater light for more than 10 seconds unless it is totally submerged in water. Without total submersion, the light assembly will get extremely hot, which may result in serious burns or in breakage of the bulb or lens. This may result in serious injury to pool or spa users, installers, or bystanders or damage to property.

### **2.3 Twelve (12) Volt Installation**

A separate 12-Volt AC Transformer is required on all 12-Volt Models. For Jandy White LED Light use a 150-watt multi-tap 12-volt system per light.

### **⚠ WARNING**

**RISK OF ELECTRICAL SHOCK OR ELECTROCUTION,** which could result in serious injury or death. For supply connection of low-voltage lights use only an isolating low voltage power supply with ungrounded output, evaluated and listed by a NRTL for swimming pool use.

**NOTE:** For optimum performance Jandy recommends to use one transformer per 12-volt light.

To ensure maximum safety, a transformer that has been listed by a Nationally Recognized Testing Laboratory (NRTL) for swimming pool use must be used.

## **Section 3. Replacing Jandy Light Fixture in an Existing Pool or Spa**

### **⚠ WARNING**

**RISK OF ELECTRICAL SHOCK OR ELECTROCUTION.**

This underwater light must be installed by a licensed or certified electrician or a qualified pool serviceman in accordance with the National Electrical Code and all applicable local codes and ordinances in the US, the Canadian Electrical Code ("CEC" or C22.1) in Canada. Improper installation will create an electrical hazard, which could result in death or serious injury to pool or spa users, installers or others due to electrical shock, and may also cause damage to property.

Always disconnect the power to the light at the circuit breaker before installing or servicing the light. Failure to do so could result in death or serious injury to serviceman, pool or spa users or others due to electrical shock.

### **3.1 Preparing the Light Fixture for Replacement**

Verify that the pool meets the requirements of the current National Electrical Code® (NEC) and all local codes and ordinances in the US, the Canadian Electrical Code ("CEC" or C22.1) in Canada. A licensed or certified electrician must install the electrical system to meet or exceed those requirements before the underwater light is installed. Some of the requirements of the National Electrical Code, which the pool's electrical system must meet, are as follows:

1. The lighting circuit must have a Ground Fault Circuit Interrupter (GFCI) for 120 volt models, and must have an appropriately rated circuit breaker.
2. The junction box (or, for 12 volt models, the low voltage transformer) must be located at least eight (8) inches above water level, at least four (4) inches above ground level or pool deck level, and at least 48 inches from the edge of the pool or spa, or per the junction box and/or transformer manufacturer's instructions. See *Figure 1*.
3. The light fixture and all metal items within five (5) feet of the pool must be properly electrically bonded to a reliable point of grounding.
4. The wet niche must be properly installed so that the top edge of the underwater light's lens is at least 18 inches below the surface of the water in the pool. See *Figure 1*.
5. The wet niche must be properly electrically bonded and grounded via the No. 8 AWG ground connector located at the rear of the niche. See *Figure 1*.

To be certain that the pool's electrical system meets all applicable requirements, the electrician should also consult the local building department.

### **3.2 Replacing the Light Fixture**

**NOTE:** Perform these steps *only* after the electrical system requirements are met.

### **⚠ WARNING**

Failure to bring the pool's electrical system up to code requirements before installing the underwater light will create an electrical hazard which could result in death or serious injury to pool or spa users, installers, or others due to electrical shock, and may also cause damage to property.

**NOTE:** The light fixture may be replaced without removing water from the pool.

1. Turn off the **main** electrical switch or circuit breaker, as well as the switch, which operates the underwater light.
2. Unscrew the special pilot screw at top of the face ring and remove the light assembly from the niche, and place the assembly on the deck.

**⚠ WARNING**

Be sure to keep the special pilot screw provided with this underwater light. This screw mounts and electrically grounds the housing securely to the mounting ring and wet niche. Failure to use the screw provided could create an electrical hazard, which could result in death or serious injury to pool or spa users, installers or others due to electrical shock.

3. Remove Junction Box cover, disconnect the light fixture wires and strain relief, and then pull the cord out of the conduit from the niche.
4. Feed the new light fixture cord through the conduit from the niche to the Junction Box.

**NOTE:** Depending on the length of the conduit, special tools may be required to pull the cord through the conduit.

5. Leave at least four (4) feet of cord to coil around the light fixture or coiled into the base of the light niche, see *Figure 1*. This allows the light to be serviced after the pool is filled with water.
6. Cut the cord at the Junction Box, leaving at least six (6) inches of cord to make connections.
7. Strip six (6) inches of the outer cord jacket from the cord to expose the three insulated wires. *Be careful not to damage the insulation on the three (3) inner wires.*
8. Install the strain relief over the cord jacket and connect all three wires to the corresponding circuit wires in the junction box. Install the junction box cover.
9. Reinstall the light assembly into the niche and tighten the special pilot screw.

**⚠ WARNING**

Use only the special pilot screw provided with this underwater light. This screw mounts and electrically grounds the housing securely to the mounting ring and wet niche. Failure to use the screw provided could create an electrical hazard, which could result in death or serious injury to pool or spa users, installers or others due to electrical shock.

10. Fill the pool until the underwater light is completely submerged in water before operating the light for more than 10 seconds. Turn on main switch or circuit breaker, as well as the switch, which operates the underwater light, to check for proper operation.

**⚠ WARNING**

Never operate this underwater light for more than 10 seconds unless it is totally submerged in water. Without total submersion, the light assembly will get extremely hot, which may result in serious burns or in breakage of the bulb or lens. This may result in serious injury to pool or spa users, installers, or bystanders or in damage to property.

## Section 4. Wiring Options for Controlling Jandy White LED Lights

**NOTE:** The Jandy White LED Lights will not operate properly with light dimmers. *Do not wire the Jandy Lights to any dimming circuitry.*

### 4.1 Wiring to an AquaLink® RS Control System

The Jandy White LED Lights can be wired into the Jandy AquaLink® RS control system to provide simplified operation of the lights. Connect the lights to one of the auxiliary relays in the Power Center.

**NOTE:** It is recommended to connect one light per relay so each light can be controlled separately. However, up to four lights can be connected on a single relay. If there are more than four lights installed on one AquaLink RS system, ensure there is more than one auxiliary relay available in the Power Center.

Refer to *Figure 2* and *Figure 3* to connect the Jandy White Lights to the Power Center.

**⚠ WARNING**

**RISK OF ELECTRICAL SHOCK OR ELECTROCUTION,** which could result in serious injury or death. A Ground Fault Circuit Interrupter (GFCI) must be provided for 120 volt models. A Ground Fault Circuit Interrupter (GFCI) for 120 Volt transformers should be used if required by the local applicable code and/or Authority Having Jurisdiction (AHJ). When a GFCI is used, the conductors on the load side of the GFCI circuit shall not occupy conduit, boxes, or enclosures containing other conductors unless the additional conductors are also protected by a GFCI. Refer to local codes for complete details.

**NOTE:** The Jandy White Lights are available in 120-volt and 12-volt versions. If installing a 12-volt light, a NRTL certified 120-volt/12-volt step-down (AC) transformer *must* be used. For more information about 12-volt installations, refer to *Section 2.3, Twelve (12) Volt Installation* of this manual.

### 4.2 Wiring to a Time Clock

The Jandy White LED Lights can be wired into a basic time clock to automatically turn on the lights at a predesignated time. Refer to *Figure 4* to connect the lights into the time clock.

### 4.3 Wiring to a Switch

The Jandy White LED Lights can be wired into a switch to manually turn on/off the lights. Refer to *Figure 5* to connect the lights into the switch.

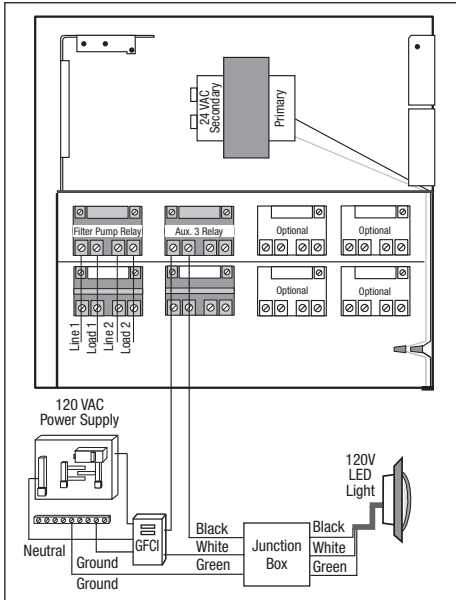


Figure 2. 120-Volt Jandy White LED Light Wiring Diagram

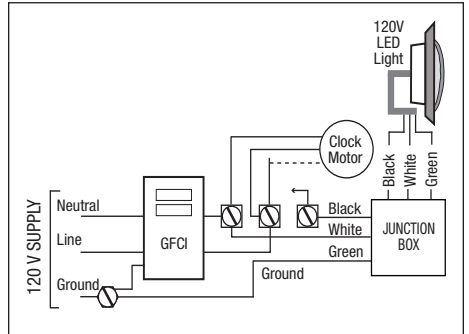


Figure 4. Wiring the Jandy White LED Light to a Time Clock

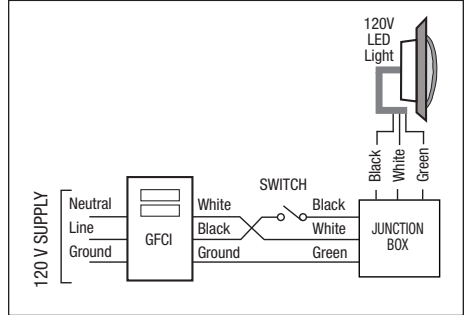
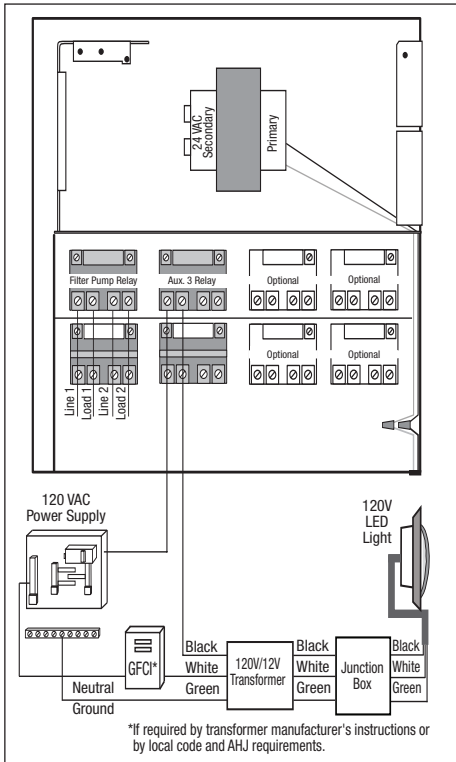


Figure 5. Wiring the Jandy White LED Light to a Switch

## Section 5. Additional Online Content

For information on the following, please refer to the online manual:

- Product Description and Model Numbers



\*If required by transformer manufacturer's instructions or by local code and AHJ requirements.

Figure 3. 12-Volt Jandy White LED Light Wiring Diagram

**A Fluidra Brand** | Jandy.com | Jandy.ca  
2882 Whiptail Loop # 100, Carlsbad, CA 92010, USA | 1.800.822.7933  
2-3365 Mainway, Burlington, ON L7M 1A6, Canada | 1.800.822.7933

©2024 Fluidra. All rights reserved. The trademarks and trade names used herein are the property of their respective owners.

H0621300\_REV F







## Éclairage DEL blanche

### Grandes et petites lumières sous-marines

Les instructions essentielles d'installation et de démarrage sont incluses dans ce manuel. Des informations supplémentaires sur le fonctionnement et le dépannage sont disponibles en ligne en scannant le code QR avec votre téléphone ou en visitant [jandy.com](http://jandy.com)



## AVERTISSEMENT

**POUR VOTRE SÉCURITÉ** – Ce produit doit être installé et entretenu par un entrepreneur qualifié en équipements de piscine disposant d'un permis délivré par la juridiction dans laquelle le produit est installé lorsque de telles exigences étatiques ou locales existent. L'agent d'entretien doit être un professionnel disposant de suffisamment d'expérience dans l'installation et l'entretien de l'équipement de piscine, afin de s'assurer que toutes les directives du présent manuel sont scrupuleusement respectées. Avant d'installer ce produit, lire et suivre tous les avertissements et toutes les directives qui accompagnent ce produit. Tout non-respect des instructions d'avertissement peut entraîner des dommages matériels, des blessures corporelles ou même la mort. Une mauvaise installation ou utilisation annule la garantie.

Une mauvaise installation ou utilisation peut engendrer un danger électrique pouvant entraîner des dommages matériels ou des blessures graves, voire mortelles. **NE PAS MODIFIER CET ÉQUIPEMENT.**



**À L'ATTENTION DE L'INSTALLATEUR** – Le présent manuel contient des informations importantes sur l'installation, le fonctionnement et l'utilisation sécuritaire de ce produit. Ces informations doivent être transmises au propriétaire ou à l'utilisateur de cet équipement.

## Table des matières

<b>Section 1. Consignes de sécurité importantes .....</b>	<b>10</b>	<b>Section 4. Options de câblage pour contrôler l'éclairage à DEL blanches de la Jandy .....</b>	<b>14</b>
<b>Section 2. Installation dans une construction neuve .....</b>	<b>11</b>	4.1 Câblage à un système de contrôle AquaLink® RS .....	14
2.1 Préparation pour l'installation .....	11	4.2 Branchement à une horloge .....	15
2.2 Installation du luminaire .....	12	4.3 Câblage à un commutateur .....	15
2.3 Installation douze (12) volts .....	13	<b>Section 5. Contenu en ligne supplémentaire.....</b>	<b>16</b>
<b>Section 3. Remplacement du luminaire de Jandy dans une piscine ou un spa existant.....</b>	<b>13</b>		
3.1 Préparation du luminaire pour le remplacement.....	13		
3.2 Remplacement du luminaire .....	14		

## Déclaration de conformité réglementaire FCC

Ce dispositif est conforme à la partie 15 des directives FCC. Son fonctionnement est soumis aux deux conditions suivantes :

1. Cet appareil ne doit pas provoquer d'interférences nuisibles, et
2. Cet appareil doit accepter toute interférence reçue, y compris les interférences susceptibles de provoquer un fonctionnement indésirable.

### MISE EN GARDE

Tout changement ou modification non expressément approuvé par la partie responsable de la conformité pourrait annuler l'autorité de l'utilisateur à utiliser l'équipement.

**REMARQUE :** Cet équipement a été testé et déclaré conforme aux limites pour un appareil numérique de Classe B, conformément à la partie 15 des directives FCC. Ces limites sont conçues pour fournir une protection raisonnable contre les interférences nuisibles dans une installation résidentielle. Cet équipement génère, utilise et peut émettre de l'énergie radio électrique et, s'il n'est pas installé et utilisé conformément aux instructions, peut causer des interférences nuisibles aux communications radio. Toutefois, il n'existe aucune garantie que des interférences ne se produiront pas dans une installation particulière. Si cet équipement cause des interférences nuisibles à la réception des signaux de radio ou de télévision, ce qui peut être déterminé en allumant et en éteignant l'équipement, l'utilisateur est encouragé à essayer de corriger les interférences en prenant une ou plusieurs des mesures suivantes :

- Réorienter ou déplacer l'antenne de réception.
- Augmenter la distance entre l'équipement et le récepteur.
- Brancher l'équipement sur une prise différente de celle sur laquelle le récepteur est connecté.
- Consultez votre revendeur ou un technicien radio/TV expérimenté pour obtenir de l'aide.

### Section 1. Consignes de sécurité importantes

## CONSIGNES DE SÉCURITÉ IMPORTANTES CONCERNANT LE RISQUE D'INCENDIE, DE DÉCHARGE ÉLECTRIQUE OU DE BLESSURES CORPORELLES LIRE ET SUIVRE TOUTES LES DIRECTIVES

Lors de l'installation et de l'utilisation de cet équipement électrique, les précautions de sécurité élémentaire doivent toujours être respectées, notamment :

## ⚠ AVERTISSEMENT

**RISQUE DE DÉCHARGE ÉLECTRIQUE OU D'ÉLECTROCUTION.** Le luminaire subaquatique doit être installé par un électricien licencié ou agréé conformément aux codes nationaux de l'électricité ainsi que les codes et ordonnances locales en vigueur. Une mauvaise installation va créer un risque électrique, pouvant entraîner la mort ou des blessures graves aux usagers de la piscine ou du spa, aux installateurs ou autres en raison d'un choc électrique, et peut aussi causer un dommage matériel. Lire et suivre les directives spécifiques ci-dessous.

Avant d'installer ce luminaire subaquatique, lire et suivre tous les avertissements et toutes les directives qui l'accompagnent. Le défaut de suivre les avertissements et les directives peut entraîner de blessures graves, la mort ou des dommages matériels.

## ⚠ MISE EN GARDE

Sauf lorsque le luminaire à DEL blanches Jandy est installé dans une zone de piscine qui n'est pas utilisée pour nager, et que la lentille est bien protégée de manière à ne pas pouvoir être touchée, le luminaire sera installé dans ou sur une paroi de la piscine avec le dessus de l'ouverture de la lentille à au moins 457 mm (18 pouces) sous le niveau d'eau normal de la piscine.

## AVIS

Les luminaires à DEL blanches de la Jandy sont destinés à une installation dans les piscines à eau douce et salée. Il est important de s'assurer que les niches humides dans lesquelles sont installés les luminaires sont destinées à une telle application, soit des piscines avec eau douce ou salée.

# CONSERVER CES DIRECTIVES

## Section 2. Installation dans une construction neuve

### ⚠ AVERTISSEMENT

#### RISQUE DE DÉCHARGE ÉLECTRIQUE OU D'ÉLECTROCUTION.

Ce luminaire subaquatique doit être installé par un électricien agréé ou certifié, ou un préposé à l'entretien de la piscine qualifié conformément au Code national de l'électricité et à tous les codes locaux et toutes les ordonnances applicables aux É.-U., au code canadien de l'électricité (CEC ou C22.1) au Canada. Une mauvaise installation va créer un risque électrique, pouvant entraîner la mort ou des blessures graves aux usagers de la piscine ou du spa, aux installateurs ou autres en raison d'un choc électrique, et peut aussi causer un dommage matériel.

Il faut toujours débrancher l'alimentation électrique au luminaire depuis le disjoncteur avant de faire l'installation ou l'entretien du luminaire. Le défaut de le faire pourrait entraîner la mort ou une blessure grave au préposé à l'entretien, aux usagers de la piscine ou du spa ou aux autres en raison d'un choc électrique.

S'assurer que la piscine est conforme aux exigences actuelles du National Electrical Code® ainsi qu'à tous les codes locaux des É.U., du Code national d'électricité canadien (CEC ou C22.1) au Canada. Un électricien agréé ou autorisé doit installer le système électrique de façon à satisfaire ou dépasser ces exigences avant d'installer l'éclairage subaquatique.

### ⚠ AVERTISSEMENT

#### RISQUE DE DÉCHARGE ÉLECTRIQUE OU D'ÉLECTROCUTION

pouvant entraîner des blessures graves ou la mort. Un disjoncteur de fuite à la terre pour les transformateurs de 120 volts doit être utilisé si requis par le fabricant du transformateur ou si requis par le code local applicable et/ou l'autorité compétente. Lorsqu'un disjoncteur de fuite à la terre est utilisé, les conducteurs du côté charge du circuit de celui-ci ne doivent pas occuper des boîtes de raccordement ou des boîtiers contenant d'autres conducteurs, à moins que les conducteurs supplémentaires ne soient également protégés par un disjoncteur de fuite à la terre. Reportez-vous aux codes locaux pour plus de détails.

Voici certaines des normes du Code national de l'électricité américain auquel le système électrique de la piscine ou du spa doit se conformer :

- La boîte de jonction (ou, pour les modèles 12 volts, le transformateur basse tension) doit être située à au moins huit (8) pouces au-dessus du niveau de l'eau, à au moins quatre (4) pouces au-dessus du niveau du sol et à au moins quatre (4) pieds du bord

## 2.1 Préparation pour l'installation

**REMARQUE :** L'électricien doit exécuter des étapes préparatoires avant d'installer le luminaire. Voir *Figure 1*.

de la piscine, ou selon les instructions du fabricant de la boîte de jonction et/ou du transformateur. Voir *Figure 1*.

- La lampe et tous les composants métalliques qui se trouvent dans un rayon de cinq (5) pieds (1,5 m) de la piscine ou du spa doivent être correctement mis à la terre électriquement et ce, à un point de terre fiable.
- La niche immergée doit être installée correctement de manière à ce que le bord supérieur du verre de protection de la lampe immergée soit situé à au moins 18 pouces (45 cm) sous le niveau de l'eau de la piscine. Voir *Figure 1*.
- La niche immergée doit être correctement reliée à la terre via une cosse de mise à la terre No. 8 AWG située à l'arrière de la niche. Voir *Figure 1*.

Le National Electrical Code® (NEC®) exige que l'eau de la piscine soit liée à la masse. Lorsqu'aucun des équipements de piscine, structures ou pièce liés à la masse n'est connecté directement avec l'eau de la piscine; l'eau de la piscine doit être en contact direct

avec une surface conductrice approuvée résistante à la corrosion qui expose à tout moment au moins 5 800 mm<sup>2</sup> (9 po<sup>2</sup>) de surface à l'eau de la piscine. La surface conductrice doit être située là où elle n'est pas exposée à des dommages physiques ou à un déplacement lors des activités habituelles de la piscine, et elle doit être collée conformément aux exigences de liaison à la masse de l'article 680 du NEC. Reportez-vous aux codes en vigueur localement pour toute exigence supplémentaire de liaison à la masse de la piscine et du spa.

**REMARQUE :** Afin d'être certain que le système électrique de la piscine réponde aux exigences en vigueur, l'électricien doit aussi consulter le service d'entretien du bâtiment.

Utiliser uniquement des niches humides approuvées (voir la remarque suivante) pour assurer une installation sûre et appropriée.

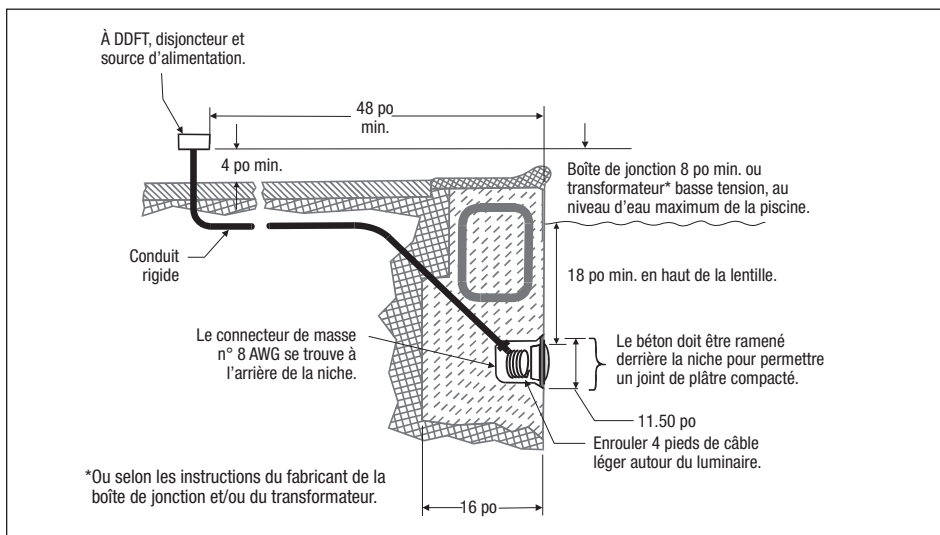


Figure 1. Installation du luminaire à DEL Jandy

**REMARQUE :** Le luminaire de Jandy est homologué ETL pour installation avec *uniquement* les luminaires pour niche humide du fabricant :

**Numéros de modèle pour grande niche :**

Jandy : PLNICLRG, PLNICVFLRG, WT000002,  
SSNICLRG1R, SSNICLRG1S  
Pentair® : 620004, 78210200 à 700, 78210401  
Hayward® DuraNiche : SP0600U

**Numéros de modèle pour petite niche :**

Jandy : PLNICSM, SSNICSM  
Pentair : 79206600

## 2.2 Installation du luminaire

**REMARQUE :** Exécuter ces étapes *uniquement* si les exigences du système électrique sont remplies.

1. Faire passer le cordon dans le conduit à la boîte de jonction, en laissant au moins quatre (4) pieds de cordon à l'appareil à enrouler dans la niche du luminaire, voir *Figure 1*. Les quatre (4) pieds de cordon permettent de faire l'entretien du luminaire une fois que la piscine est remplie d'eau.
2. Couper le cordon à la boîte de jonction, en laissant au moins six (6) pouces de cordon pour faire les connexions.
3. Dénuder six (6) pouces de la gaine du cordon pour exposer les trois fils isolés. *Faire attention à ne pas endommager l'isolation sur les trois (3) fils intérieurs.*
4. Installer le dispositif anti-traction sur la gaine du cordon et connecter les trois (3) fils aux fils du circuit correspondant dans la boîte de jonction. Installer le couvercle de la boîte de jonction.
5. Enrouler les quatre pieds de cordon autour du luminaire ou dans la base de la niche de piscine, puis placer l'ensemble du luminaire dans la niche.

6. Engager la languette de retenue sur le bas de la bague de garniture, puis pivoter le haut du luminaire vers l'intérieur et serrer avec la vis guide spéciale.

### ⚠ AVERTISSEMENT

Utiliser uniquement les vis guide spéciales fournies avec le luminaire subaquatique. Cette vis fixe de manière sûre le boîtier à la bague de montage et la niche humide, en faisant une mise à la terre. Le défaut d'utiliser la vis fournie pourrait créer un risque électrique, pouvant entraîner la mort ou des blessures graves pour les usagers de la piscine ou du spa, les installateurs ou autres en raison d'un choc électrique.

7. Remplir la piscine jusqu'à ce que l'éclairage subaquatique soit complètement immergé dans l'eau avant d'allumer pendant plus de deux (2) minutes. L'éclairage chauffe rapidement lorsqu'il est allumé en dehors de l'eau. Mettre l'interrupteur principal ou le disjoncteur sous tension, et le commutateur, qui fait fonctionner l'éclairage subaquatique afin de vérifier le bon fonctionnement.

### ⚠ AVERTISSEMENT

Ne jamais faire fonctionner ce luminaire subaquatique plus de 10 secondes s'il n'est pas complètement immergé dans l'eau. Sans une immersion totale, le luminaire peut devenir extrêmement chaud, ce qui peut entraîner de graves brûlures ou un bris d'ampoule ou de lentilles. Cela peut entraîner de graves blessures aux usagers de la piscine ou du spa, aux installateurs, aux spectateurs ou un dommage matériel.

## 2.3 Installation douze (12) volts

Un transformateur c.a. 12 volts séparé est requis pour tous les modèles 12 volts. Pour le luminaire à DEL blanches Jandy utiliser un système 12 volts multi-tap 150 watts par luminaire.

### ⚠ AVERTISSEMENT

**RISQUE DE CHOC ÉLECTRIQUE OU D'ÉLECTROCUTION,** qui pourrait entraîner des blessures ou la mort, utiliser uniquement une alimentation à basse tension, évaluée et homologuée par un laboratoire d'essai reconnu à l'échelle nationale (NRTL) pour l'utilisation dans une piscine.

**REMARQUE :** Pour une performance optimale de la Jandy, il est recommandé d'utiliser un transformateur par luminaire 12 volts.

Pour garantir une sécurité maximale, il faut utiliser un transformateur homologué par un laboratoire d'essai reconnu au niveau national (NRTL) pour l'utilisation dans les piscines.

## Section 3. Remplacement du luminaire de Jandy dans une piscine ou un spa existant

### ⚠ AVERTISSEMENT

#### RISQUE DE CHOC ÉLECTRIQUE OU D'ÉLECTROCUTION.

Ce luminaire subaquatique doit être installé par un électricien agréé ou certifié, ou un préposé à l'entretien de la piscine qualifié conformément au Code national de l'électricité et à tous les codes locaux et toutes les ordonnances applicables aux É.-U., au code canadien de l'électricité (CEC ou C22.1) au Canada. Une mauvaise installation va créer un risque électrique, pouvant entraîner la mort ou des blessures graves aux usagers de la piscine ou du spa, aux installateurs ou autres en raison d'un choc électrique, et peut aussi causer un dommage matériel.

Il faut toujours débrancher l'alimentation électrique au luminaire depuis le disjoncteur avant de faire l'installation ou l'entretien du luminaire. Le défaut de le faire pourrait entraîner la mort ou une blessure grave au préposé à l'entretien, aux usagers de la piscine ou du spa ou aux autres en raison d'un choc électrique.

### 3.1 Préparation du luminaire pour le remplacement

Vérifier que la piscine est conforme aux exigences actuelles du National Electrical Code® (NEC) ainsi que tous les codes locaux des É.U., du Code national de l'électricité canadien (CEC ou C22.1) au Canada. Un électricien agréé ou autorisé doit installer le système électrique de façon à satisfaire ou dépasser ces exigences avant d'installer l'éclairage subaquatique. Certaines des exigences du Code national de l'électricité, auquel le système électrique doit satisfaire, sont les suivantes :

1. Le circuit d'éclairage doit avoir un disjoncteur de fuite à la terre (DDFT) pour les modèles 120 volts et avoir un disjoncteur de puissance nominale appropriée.
2. La boîte de jonction (ou, pour les modèles 12 volts, le transformateur basse tension) doit être située à au moins huit (8) pouces au-dessus du niveau de l'eau, à au moins quatre (4) pouces au-dessus du niveau du sol ou de la plage de la piscine, et à au moins 48 pouces du bord de la piscine ou du spa, ou selon les instructions du fabricant de la boîte de jonction et/ou du transformateur. Voir *Figure 1*.
3. Le luminaire et tous les articles en métal à moins de cinq (5) pieds de la piscine doivent être correctement fixés à un point de mise à la terre fiable.
4. La niche humide doit être correctement installée de sorte que le rebord supérieur des lentilles de l'éclairage soit au moins 18 pouces sous la surface de l'eau dans la piscine. Voir *Figure 1*.
5. La niche humide doit être correctement connectée et mise à la terre au moyen d'un connecteur de masse n° 8 AWG se trouvant à l'arrière de la niche. Voir *Figure 1*.
6. Afin d'être certain que le système électrique de la piscine réponde aux exigences en vigueur, l'électricien doit aussi consulter le service d'entretien du bâtiment.

### 3.2 Remplacement du luminaire

**REMARQUE :** Exécuter ces étapes *uniquement* si les exigences du système électrique sont remplies.

#### ⚠ AVERTISSEMENT

Le défaut de respecter les exigences du code pour le système électrique de la piscine avant l'installation du luminaire subaquatique va créer un risque électrique, pouvant entraîner la mort ou des blessures graves aux usagers de la piscine ou du spa, aux installateurs ou autres en raison d'un choc électrique, et peut aussi causer un dommage matériel.

**REMARQUE :** Le luminaire doit être remplacé sans vider l'eau de la piscine.

1. Fermer l'interrupteur **de secteur** ou le disjoncteur, ainsi que le commutateur, qui fait fonctionner l'éclairage subaquatique.
2. Dévisser la vis guide spéciale sur le dessus de l'anneau de surface et retirer le luminaire de la niche, puis placer l'ensemble sur la plateforme.

#### ⚠ AVERTISSEMENT

Veiller à utiliser uniquement les vis guide spéciales fournies avec le luminaire subaquatique. Cette vis fixe de manière sûre le boîtier à la bague de montage et la niche humide, en faisant une mise à la terre. Le défaut d'utiliser la vis fournie pourrait créer un risque électrique, pouvant entraîner la mort ou des blessures graves pour les usagers de la piscine ou du spa, les installateurs ou autres en raison d'un choc électrique.

3. Retirer le couvercle de la boîte de jonction, débrancher les fils du luminaire et le serre-fil, puis tirer le cordon hors du conduit depuis la niche.
4. Faire passer le cordon du luminaire neuf depuis la niche à la boîte de jonction.

**REMARQUE :** En fonction de la longueur du conduit, il sera peut être nécessaire d'avoir des outils spéciaux pour tirer la corde dans le conduit.

5. Laisser au moins quatre (4) pieds de cordon enroulé dans le luminaire ou dans la base de la niche du luminaire, voir *Figure 1*. Ceci permet de faire l'entretien du luminaire une fois que la piscine est remplie d'eau.
6. Couper le cordon à la boîte de jonction, en laissant au moins six (6) pouces de cordon pour faire les connexions.
7. Dénuder six (6) pouces de la gaine du cordon pour exposer les trois fils isolés. *Faire attention à ne pas endommager l'isolation sur les trois (3) fils intérieurs.*
8. Installer le dispositif anti-traction sur la gaine du cordon et connecter les trois fils aux fils du circuit correspondant dans la boîte de jonction. Installer le couvercle de la boîte de jonction.
9. Désinstaller le luminaire dans la niche et serrer la vis guide spéciale.

#### ⚠ AVERTISSEMENT

Utiliser uniquement les vis guide spéciales fournies avec le luminaire subaquatique. Cette vis fixe de manière sûre le boîtier à la bague de montage et la niche humide, en faisant une mise à la terre. Le défaut d'utiliser la vis fournie pourrait créer un risque électrique, pouvant entraîner la mort ou des blessures graves pour les usagers de la piscine ou du spa, les installateurs ou autres en raison d'un choc électrique.

10. Remplir la piscine jusqu'à ce que l'éclairage subaquatique soit complètement immergé dans l'eau avant d'allumer pendant plus de 10 secondes. Mettre l'interrupteur principal ou le disjoncteur sous tension, ainsi que le commutateur, qui fait fonctionner l'éclairage subaquatique afin de vérifier le bon fonctionnement.

#### ⚠ AVERTISSEMENT

Ne jamais faire fonctionner ce luminaire subaquatique plus de 10 secondes s'il n'est pas complètement immergé dans l'eau. Sans une immersion totale, le luminaire peut devenir extrêmement chaud, ce qui peut entraîner de graves brûlures ou un bris d'ampoule ou de lentilles. Cela peut entraîner de graves blessures aux usagers de la piscine ou du spa, aux installateurs, aux spectateurs ou un dommage matériel.

## Section 4. Options de câblage pour contrôler l'éclairage à DEL blanches de la Jandy

**REMARQUE :** L'éclairage à DEL blanche de la Jandy ne fonctionnera pas correctement avec des gradateurs. *Ne pas câbler l'éclairage de la Jandy à aucun gradateur.*

### 4.1 Câblage à un système de contrôle AquaLink® RS

L'éclairage à DEL blanche de la Jandy peut être câblé dans le système de contrôle RS AquaLink® de la Jandy afin de procurer une opération simplifiée de l'éclairage. Connecter les luminaires à un des relais auxiliaire dans le centre d'alimentation.

**REMARQUE :** Il est recommandé de connecter un luminaire par relais afin de pouvoir contrôler chaque luminaire individuellement. Cependant, on peut connecter jusqu'à quatre luminaires sur un seul relais. S'il y a plus de quatre luminaires installés sur un système RS AquaLink, veiller à ce qu'il y ait plus d'un relais auxiliaire disponible dans le centre d'alimentation.

Vous reporter aux *Figure 2* et *Figure 3* pour connecter les luminaires à DEL blanches de la Jandy au centre d'alimentation.

## ⚠ AVERTISSEMENT

**RISQUE DE CHOC ÉLECTRIQUE OU D'ÉLECTROCUTION**, pouvant entraîner de graves blessures ou la mort. Un disjoncteur de fuite à la terre (DDFT) doit être fourni pour les modèles 120 volts. Un disjoncteur de fuite (DDFT) pour les transformateurs de 120 volts doit être utilisé si requis par le fabricant de transformateurs ou si requis par le code applicable ou l'autorité compétente. Lorsqu'un DDFT est utilisé, les conducteurs côté charge du circuit DDFT ne doit pas occuper le conduit, boîtes ou enceintes contenant d'autres conducteurs à moins que les conducteurs supplémentaires soient aussi protégés par DDFT. Vous reporter aux codes locaux pour plus d'information.

**REMARQUE :** Les luminaires à DEL blanche de la Jandy sont offertes en version 120 volts et 12 volts. Lors de l'installation d'un luminaire à 12 volts, un transformateur abaisseur (CA) 120 volts/12 volts certifié par NRTL *doit* être utilisé. Pour de plus amples informations sur les installations 12 volts, veuillez vous reporter à la *Section 2.3, Installation douze (12) volts*.

### 4.2 Branchement à une horloge

Les luminaires à DEL blanches de la Jandy peuvent être câblés dans une horloge ordinaire afin d'allumer automatiquement les luminaires à une heure établie. Vous reporter à *Figure 4* afin de brancher les luminaires à l'horloge.

### 4.3 Câblage à un commutateur

Les luminaires à DEL blanches de la Jandy peuvent être câblés dans un commutateur afin d'allumer et éteindre les luminaires. Vous reporter à *Figure 5* afin de brancher les luminaires à un commutateur.

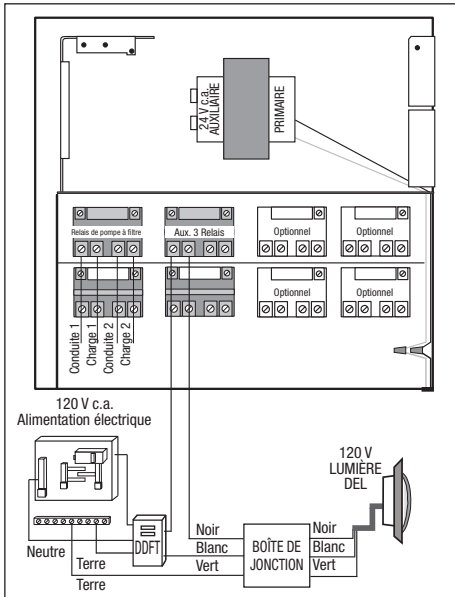


Figure 2. Schéma de câblage du luminaire à DEL blanches de la Jandy 120 volts

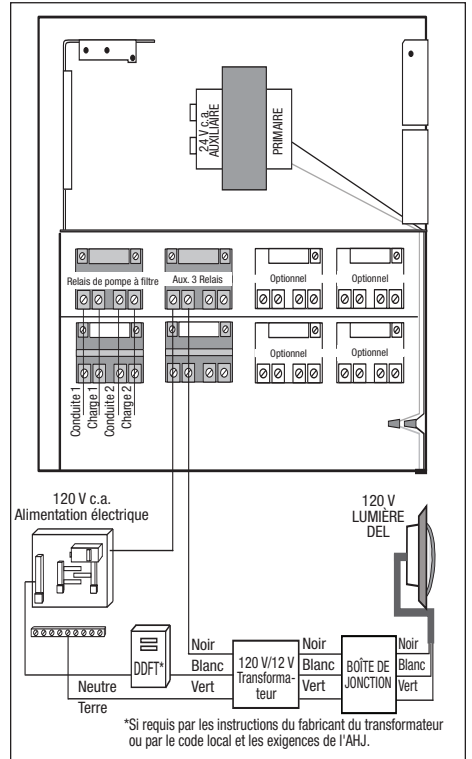


Figure 3. Schéma de câblage du luminaire à DEL blanches de la Jandy 120 volts

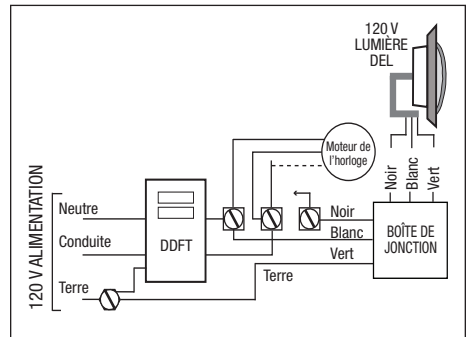


Figure 4. Câblage du luminaire à DEL blanches de la Jandy à une horloge

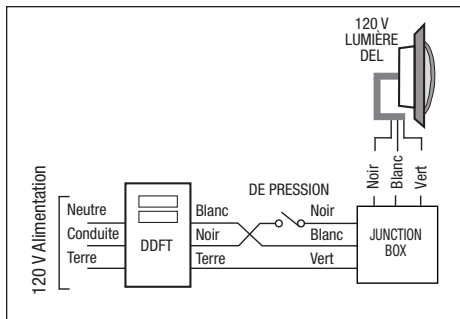


Figure 5. Câblage du luminaire à DEL blanches de la Jandy à un commutateur

## Section 5. Contenu en ligne supplémentaire

Pour plus d'informations sur les points suivants, veuillez vous référer au manuel en ligne :

- Description du produit et numéros de modèle





## Luces LED blancas

### Luces subacuáticas grandes y pequeñas

En este manual se incluyen las instrucciones esenciales de instalación y puesta en marcha. La información adicional sobre el funcionamiento y la solución de problemas se tiene disponible en línea escaneando el código QR con su teléfono o visitando [jandy.com](http://jandy.com)



## ADVERTENCIA

**PARA SU SEGURIDAD** – La instalación y el servicio de este producto deben estar a cargo de un contratista cualificado y matriculado para trabajar con equipamientos para piscinas en la jurisdicción en la que se instalará el producto, donde existan tales requisitos estatales o locales. El técnico de servicio debe ser profesional y contar con experiencia suficiente en instalación y mantenimiento de equipamientos para piscinas, para que todas las instrucciones de este manual se puedan seguir exactamente. Antes de instalar este producto, lea y siga todos los avisos de advertencia y las instrucciones que se proporcionan con el producto. Si no se siguen los avisos de advertencia o las instrucciones, es posible que se produzcan daños materiales, lesiones personales o la muerte. Una instalación u operación incorrectas pueden anular la garantía.

La instalación o la operación inadecuadas pueden generar peligros eléctricos no deseados que pueden provocar lesiones graves, daños materiales o la muerte. **DO NO MODIFIQUE ESTE EQUIPO.**



**ATENCIÓN INSTALADOR** – Este manual contiene información importante acerca de la instalación, la operación y la utilización seguras de este producto. Esta información debe proporcionarse al propietario/operador de este equipo.

# Contenido

<b>Sección 1. Instrucciones importantes de seguridad.....</b>	<b>18</b>	<b>Sección 4. Opciones de cableado para controlar las luces LED blancas Jandy .....</b>	<b>22</b>
<b>Sección 2. Instalación de una lámpara Jandy durante una construcción nueva .....</b>	<b>19</b>	4.1 Cableado a un sistema de control AquaLink® RS .....	22
2.1 Preparación de la lámpara para la instalación.....	19	4.2 Cableado a un reloj registrador .....	23
2.2 Instalación de la lámpara .....	20	4.3 Cableado a un interruptor.....	23
2.3 Instalación de 12 voltios .....	21	<b>Sección 5. Contenido adicional en línea....</b>	<b>24</b>
<b>Sección 3. Reemplazo de una lámpara Jandy en una piscina o un hidromasaje existentes .....</b>	<b>21</b>		
3.1 Preparación de la lámpara para el reemplazo .....	21		
3.2 Reemplazo de la lámpara .....	22		

## Declaración de cumplimiento normativo en conformidad con la FCC

Este dispositivo cumple con la parte 15 de las reglas de la FCC. El funcionamiento está sujeto a las dos condiciones siguientes:

1. Este dispositivo no puede provocar interferencias nocivas.
2. Este dispositivo debe aceptar cualquier interferencia recibida, incluidas las interferencias que pueden provocar un funcionamiento no deseado.

### **⚠ PRECAUCIÓN**

Cualquier cambio o modificación no aprobado expresamente por la parte responsable del cumplimiento puede anular el permiso del usuario para operar el equipo.

**NOTA:** Este equipo se probó, y se determinó que cumple con los límites de dispositivo digital de Clase B, en conformidad con la parte 15 de las reglas de la FCC. Estos límites están diseñados para proporcionar una protección razonable contra las interferencias perjudiciales en una instalación residencial. Este equipo genera, usa y puede irradiar energía de radiofrecuencia y, si no se instala y usa de conformidad con las instrucciones, puede provocar interferencias perjudiciales para las comunicaciones por radio. Sin embargo, no se garantiza que no habrá interferencias en una instalación en particular. Si este equipo provoca interferencias perjudiciales para la recepción de radios o televisores, lo que puede determinarse al encender y apagar el equipo, se recomienda al usuario intentar corregir la interferencia mediante uno o más de los métodos siguientes:

- Reoriente o cambie la ubicación de la antena receptora.
- Aumente la distancia entre el equipo y el receptor.
- Conectar el equipo a una toma que no esté en el mismo circuito en el que está conectado el receptor.
- Solicite ayuda al vendedor o a un técnico experto en radio y TV.

## Sección 1. Instrucciones importantes de seguridad

# INSTRUCCIONES IMPORTANTES DE SEGURIDAD EN RELACIÓN CON EL RIESGO DE INCENDIOS, DESCARGAS ELÉCTRICAS O LESIONES PERSONALES LEA Y SIGA TODAS LAS INSTRUCCIONES

Cuando se instale y utilice este equipo eléctrico, siempre se deberán seguir las siguientes precauciones básicas de seguridad:

## ⚠ ADVERTENCIA

**RIESGO DE DESCARGA ELÉCTRICA O ELECTROCUCIÓN.** Un electricista certificado o con licencia debe instalar esta luz sumergible de acuerdo con el Código Nacional de Electricidad y los códigos y las ordenanzas locales aplicables. Una instalación incorrecta genera un peligro eléctrico, por el cual los usuarios de la piscina o del hidromasaje, los instaladores y otras personas pueden sufrir la muerte o lesiones graves debido a una descarga eléctrica, y es posible que se produzcan daños materiales en la propiedad. Lea y siga las instrucciones específicas a continuación.

Antes de instalar esta luz sumergible, lea y siga todos los avisos de advertencia y las instrucciones que se proporcionan junto con la luz. Si no se siguen las advertencias de seguridad y las instrucciones, es posible que se produzcan lesiones graves, la muerte o daños materiales.

## ⚠ PRECAUCIÓN

Si las luces LED blancas Jandy se instalan en una zona de la piscina que no se utiliza para nadar y la lente se resguarda apropiadamente para evitar que las personas la toquen, es posible instalar la luz en o sobre una pared de la piscina con la parte superior de la abertura de la lente no menos de 457 mm (18 pulgadas) por debajo del nivel de agua normal de la piscina.

## AVISO

Las luces LED blancas Jandy se diseñaron para su instalación en piscinas de agua limpia y agua salada. Es importante asegurarse que los huecos de humedad en los que se instalan las luces se hayan diseñado para su correcta aplicación, ya sea piscinas de agua limpia o de agua salada.

# GUARDE ESTAS INSTRUCCIONES

## Sección 2. Instalación de una lámpara Jandy durante una construcción nueva

Asegúrese de que la piscina cumpla con los requisitos indicados en el código National Electrical Code® actual y todos los códigos locales de Estados Unidos o el Código de Electricidad en Canadá ("CEC" o C22.1) de Canadá. Un electricista certificado o con licencia debe instalar el sistema eléctrico para satisfacer o superar esos requisitos antes de que se instale la luz sumergible.

## ⚠ ADVERTENCIA

### RIESGO DE DESCARGA ELÉCTRICA O ELECTROCUCIÓN.

Un electricista certificado o con licencia o un técnico de servicio de piscinas calificado deben instalar esta luz sumergible de acuerdo con el Código Nacional de Electricidad y todos los códigos y las ordenanzas locales aplicables de Estados Unidos, o el Código de Electricidad en Canadá ("CEC" o C22.1) de Canadá. Una instalación incorrecta genera un peligro eléctrico, por el cual los usuarios de la piscina o del hidromasaje, los instaladores y otras personas pueden sufrir la muerte o lesiones graves como consecuencia de una descarga eléctrica, y se pueden producir daños materiales en la propiedad.

Siempre desconecte la alimentación a la luz en el disyuntor antes de instalar o inspeccionar la luz. De lo contrario, el técnico de servicio, los usuarios de la piscina o del hidromasaje y otras personas pueden sufrir la muerte o lesiones graves como consecuencia de una descarga eléctrica.

## ⚠ ADVERTENCIA

### RIESGO DE DESCARGA ELÉCTRICA O ELECTROCUCIÓN

que podría provocar lesiones graves o incluso la muerte. Se debe usar un interruptor de circuito por falla a tierra (ICFT) para transformadores de 120 voltios si lo requiere el fabricante del transformador o si lo requieren las normativas locales y/o la autoridad competente. Cuando se usa un ICFT, los conductores del lado de carga del circuito del ICFT no deben situarse en cajas de conductos o gabinetes que contengan otros conductores a menos que los conductores adicionales también estén protegidos por un ICFT. Consulte la normativa local para obtener información detallada.

Algunos de los requisitos del Código Eléctrico Nacional de EE. UU., que deben cumplir los sistemas eléctricos de la piscina o el spa son:

- La caja de conexiones (o, en el caso de modelos de 12 voltios, el transformador de bajo voltaje) debe colocarse al menos ocho (8) pulgadas [20.32 cm] sobre el nivel del agua, al menos cuatro (4) pulgadas [10.16 cm] sobre el nivel del suelo, y al menos cuatro (4) pies [1.22 m] del borde

## 2.1 Preparación de la lámpara para la instalación

**NOTA:** Un electricista debe completar los pasos preliminares antes de que se instale la lámpara. Consulte la *Figura 1*.

de la piscina, o conforme a las instrucciones del fabricante de la caja de conexiones y/o transformador. Véase *Figura 1*.

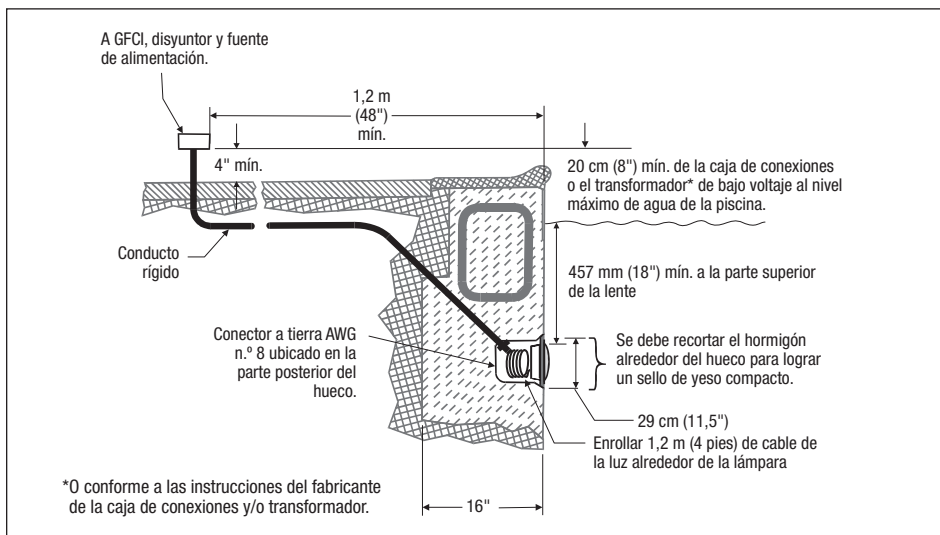
- La luz y todos los elementos metálicos que estén a menos de cinco (5) pies de la piscina o el spa deben estar correctamente interconectados y tener una conexión a tierra fiable.
- El nicho debe estar instalado correctamente, de manera que la parte superior del lente de la luz subacuática se encuentre al menos a 18 pulgadas por debajo de la superficie de agua en la piscina; véase *Figura 1*.
- El nicho debe tener sus partes metálicas correctamente interconectadas y una conexión a tierra a través de un conector a tierra AWG N° 8 ubicado en la parte trasera del nicho; véase *Figura 1*.

El National Electrical Code® (NEC®) requiere la conexión del agua de la piscina. Cuando ninguno de los equipos, estructuras o partes conectadas de

la piscina esté en conexión directa con el agua de la piscina, el agua de la piscina debe estar en contacto directo con una superficie conductora resistente a la corrosión aprobada que deje expuesto no menos de 5800 mm<sup>2</sup> (9 pulg<sup>2</sup>) de la superficie al agua de la piscina en todo momento. La superficie conductora se debe ubicar donde no esté expuesta a daños físicos o desprendimientos durante las actividades habituales de la piscina, y debe estar conectada de acuerdo con los requisitos de conexión del artículo 680 del NEC. Consulte la normativa local para conocer los requisitos adicionales de conexión de piscinas y spas.

**NOTA:** Para asegurarse de que el sistema eléctrico de la piscina cumpla todos los requisitos aplicables, el electricista debe consultar también al departamento de construcción local.

Utilice únicamente huecos de humedad aprobados (vea la siguiente nota) para garantizar una instalación segura y correcta.



**Figura 1. Instalación de luces LED Jandy**

**NOTA:** Las luces Jandy se encuentran incluidas en la lista ETL para la instalación *exclusiva* con lámparas para huecos de humedad de los siguientes fabricantes:

**Números de modelos de huecos grandes:**  
 Jandy: PLNICLRG, PLNICVFLRG, WT000002, SSNICLRG1R, SSNICLRG1S  
 Pentair®: 620004, 78210200 a 700, 78210401  
 Hayward® DuraNiche: SP0600U

**Números de modelos de huecos pequeños:**  
 Jandy: PLNICSM, SSNICSM  
 Pentair: 79206600

## 2.2 Instalación de la lámpara

**NOTA:** Realice estos pasos *únicamente* después de que se cumplan los requisitos para el sistema eléctrico.

1. Introduzca cable por el conducto a la caja de conexiones dejando al menos 1,2 m (4 pies) de cable en la lámpara para enrollar en la base del

hueco de la luz. Consulte la *Figura 1*. Con 1,2 m (4 pies) de cable, es posible inspeccionar la luz después de que se llena de agua la piscina.

2. Corte el cable en la caja de conexiones dejando al menos 15 cm (6 pulgadas) de cable para realizar conexiones.
3. Pele 15 cm (6 pulgadas) de la cubierta exterior del cable para descubrir los tres cables aislados. *Procure no dañar el aislamiento de los tres (3) cables internos.*
4. Instale el aliviador de tensión sobre la cubierta del cable y conecte los tres (3) cables a los cables de circuito correspondientes en la caja de conexiones. Instale la tapa de la caja de conexiones.
5. Enrolle el cable de 1,2 m (4 pies) de longitud alrededor de la lámpara o en la base del hueco de la piscina y coloque el conjunto de la luz en el hueco.

6. Acople la pestaña de retención en la parte inferior del aro frontal, gire la parte superior de la lámpara hacia adentro y ajuste el tornillo piloto especial.

## ⚠ ADVERTENCIA

Utilice únicamente el tornillo piloto especial que se proporciona con esta luz sumergible. Este tornillo monta y conecta a tierra de forma electrónica y segura la carcasa al anillo de montaje y al hueco de humedad. Si no se utiliza el tornillo proporcionado, se puede generar un peligro eléctrico, por el cual los usuarios de la piscina o del hidromasaje, los instaladores y otras personas pueden sufrir la muerte o lesiones graves debido a una descarga eléctrica.

7. Llene la piscina hasta que la luz sumergible quede completamente bajo el agua antes de encender la luz por más de 2 minutos. La luz se calentará rápidamente si se enciende fuera del agua. Active el interruptor principal o el disyuntor y el interruptor con el que se enciende la luz sumergible para comprobar si la luz funciona correctamente.

## ⚠ ADVERTENCIA

Nunca encienda esta luz sumergible por más de 10 segundos a menos que se encuentre completamente bajo agua. Sin una inmersión total, el conjunto de la luz alcanza una temperatura extremadamente alta, por la que se pueden producir quemaduras graves o la ruptura de la bombilla o la lente. Los usuarios de la piscina o del hidromasaje, los instaladores o los espectadores pueden sufrir lesiones graves, y es posible que se produzcan daños materiales en la propiedad.

### 2.3 Instalación de 12 voltios

Se requiere un transformador de CA de 12 voltios aparte para todos los modelos de 12 voltios. Para las luces LED blancas Jandy, utilice un sistema de múltiples tomas de 12 voltios y 150 vatios por luz.

## ⚠ ADVERTENCIA

**RIESGO DE DESCARGA ELÉCTRICA O ELECTROCUCIÓN**, por el que es posible sufrir lesiones o la muerte, en la conexión de suministro de luces de bajo voltaje, utilice únicamente una fuente de alimentación aislante de bajo voltaje con salida no conectada a tierra, evaluada y registrada por un laboratorio NRTL para el uso de piscinas.

**NOTA:** Para lograr un rendimiento óptimo de Jandy, se recomienda utilizar un transformador por luz de 12 voltios.

Para garantizar la máxima seguridad, se debe utilizar un transformador que haya sido incluido en la lista de un Laboratorio de Pruebas Reconocido Nacionalmente (NRTL, por sus siglas en inglés) para el uso en piscinas.

## Sección 3. Reemplazo de una lámpara Jandy en una piscina o un hidromasaje existentes

## ⚠ ADVERTENCIA

### RIESGO DE DESCARGA ELÉCTRICA O ELECTROCUCIÓN.

Un electricista certificado o con licencia o un técnico de servicio de piscinas calificado deben instalar esta luz sumergible de acuerdo con el Código Nacional de Electricidad y todos los códigos y las ordenanzas locales aplicables de Estados Unidos, o el Código de Electricidad en Canadá ("CEC" o C22.1) de Canadá. Una instalación incorrecta genera un peligro eléctrico, por el cual los usuarios de la piscina o del hidromasaje, los instaladores y otras personas pueden sufrir la muerte o lesiones graves como consecuencia de una descarga eléctrica, y se pueden producir daños materiales en la propiedad.

Siempre desconecte la alimentación a la luz en el disyuntor antes de instalar o inspeccionar la luz. De lo contrario, el técnico de servicio, los usuarios de la piscina o del hidromasaje y otras personas pueden sufrir la muerte o lesiones graves como consecuencia de una descarga eléctrica.

### 3.1 Preparación de la lámpara para el reemplazo

Compruebe que la piscina cumpla con los requisitos indicados en el código National Electrical Code® (NEC) actual y todos los códigos y las ordenanzas locales de Estados Unidos o el Código de Electricidad en Canadá ("CEC" o C22.1) de Canadá. Un electricista certificado o con licencia debe instalar el sistema eléctrico para satisfacer o superar esos requisitos antes de que se instale la luz sumergible. Algunos de los requisitos en el Código Nacional de Electricidad, que el sistema eléctrico de la piscina debe cumplir, son:

1. El circuito de iluminación debe tener un interruptor de circuito por falla a tierra (GFCI) para modelos de 120 voltios y un disyuntor de valor nominal apropiado.
2. La caja de conexiones (o, en el caso de modelos de 12 voltios, el transformador de bajo voltaje) debe colocarse al menos ocho (8) pulgadas [20.32 cm] sobre el nivel del agua, al menos cuatro (4) pulgadas [10.16 cm] sobre el nivel del suelo o del nivel de la cubierta de la piscina, y al menos 48 pulgadas [12.92 cm] del borde de la piscina, o conforme a las instrucciones del fabricante de la caja de conexiones y/o transformador. Consulte la *Figura 1*.
3. La lámpara y todos los objetos de metal ubicados a menos de 1,5 m (5 pies) de la piscina deben estar unidos eléctricamente a un punto confiable de conexión a tierra de forma apropiada.
4. El hueco de humedad debe instalarse correctamente de modo que el borde superior de la lente de la luz sumergible quede al menos 45 cm (18 pulgadas) por debajo de la superficie del agua en la piscina. Consulte la *Figura 1*.

5. El hueco de humedad debe unirse eléctricamente y conectarse a tierra correctamente mediante el conector a tierra AWG n.º 8 ubicado en la parte posterior del hueco. Consulte la *Figura 1*.

Para garantizar que el sistema eléctrico de la piscina cumpla con todos los requisitos aplicables, el electricista debe consultar también al departamento de construcción local.

### 3.2 Reemplazo de la lámpara

**NOTA:** Realice estos pasos *únicamente* después de que se cumplan los requisitos para el sistema eléctrico.

#### ADVERTENCIA

Si el sistema eléctrico de la piscina no cumple con los requisitos de los códigos antes de la instalación de la luz sumergible, se genera un peligro eléctrico, por el cual los usuarios de la piscina o del hidromasaje, los instaladores y otras personas pueden sufrir la muerte o lesiones graves como consecuencia de una descarga eléctrica, y se pueden producir daños materiales en la propiedad.

**NOTA:** Es posible reemplazar la lámpara sin retirar el agua de la piscina.

1. Desactive el interruptor eléctrico **principal** o el disyuntor, así como el interruptor con el que se enciende la luz sumergible.
2. Desenrosque el tornillo piloto especial en la parte superior del aro frontal y retire el conjunto de la luz del hueco. Coloque el conjunto sobre la plataforma.

#### ADVERTENCIA

Asegúrese de conservar el tornillo piloto especial que se proporciona con esta luz sumergible. Este tornillo monta y conecta a tierra de forma electrónica y segura la carcasa al anillo de montaje y al hueco de humedad. Si no se utiliza el tornillo proporcionado, se puede generar un peligro eléctrico, por el cual los usuarios de la piscina o del hidromasaje, los instaladores y otras personas pueden sufrir la muerte o lesiones graves debido a una descarga eléctrica.

3. Retire la tapa de la caja de conexiones, desconecte los cables de la lámpara y el aliviador de tensión. A continuación, extraiga el cable del hueco a través del conducto.

4. Introduzca el cable de la nueva lámpara por el conducto desde el hueco hacia la caja de conexiones.

**NOTA:** Según la longitud del conducto, es posible que se requieran herramientas especiales para pasar el cable por el conducto.

5. Deje al menos 1,2 m (4 pies) de cable para enrollarlo alrededor de la lámpara o en la base del hueco de la luz. Consulte la *Figura 1*. Esto permite inspeccionar la luz después de que se llena de agua la piscina.

6. Corte el cable en la caja de conexiones dejando al menos 15 cm (6 pulgadas) de cable para realizar conexiones.

7. Pele 15 cm (6 pulgadas) de la cubierta exterior del cable para descubrir los tres cables aislados. *Procure no dañar el aislamiento de los tres (3) cables internos.*

8. Instale el aliviador de tensión sobre la cubierta del cable y conecte los tres cables a los cables de circuito correspondientes en la caja de conexiones. Instale la tapa de la caja de conexiones.

9. Vuelva a instalar el conjunto de la luz en el hueco y ajuste el tornillo piloto especial.

#### ADVERTENCIA

Utilice únicamente el tornillo piloto especial que se proporciona con esta luz sumergible. Este tornillo monta y conecta a tierra de forma electrónica y segura la carcasa al anillo de montaje y al hueco de humedad. Si no se utiliza el tornillo proporcionado, se puede generar un peligro eléctrico, por el cual los usuarios de la piscina o del hidromasaje, los instaladores y otras personas pueden sufrir la muerte o lesiones graves debido a una descarga eléctrica.

10. Llene la piscina hasta que la luz sumergible quede completamente bajo el agua antes de encender la luz por más de 10 segundos. Active el interruptor principal o el disyuntor, así como el interruptor con el que se enciende la luz sumergible, para comprobar si la luz funciona correctamente.

#### ADVERTENCIA

Nunca encienda esta luz sumergible por más de 10 segundos a menos que se encuentre completamente bajo agua. Sin una inmersión total, el conjunto de la luz alcanza una temperatura extremadamente alta, por la que se pueden producir quemaduras graves o la ruptura de la bombilla o la lente. Los usuarios de la piscina o del hidromasaje, los instaladores o los espectadores pueden sufrir lesiones graves, y es posible que se produzcan daños materiales en la propiedad.

## Sección 4. Opciones de cableado para controlar las luces LED blancas Jandy

**NOTA:** Las **luces LED blancas Jandy** no funcionarán correctamente con reguladores de intensidad de la luz. *No conecte las luces Jandy a ningún circuito de regulación de intensidad.*

### 4.1 Cableado a un sistema de control Aqualink® RS

Es posible conectar las luces LED blancas Jandy a un sistema de control Aqualink® RS Jandy para simplificar la operación de las luces. Conecte las luces a uno de los relés auxiliares en la central de alimentación.

**NOTA:** Se recomienda conectar una luz por relé para poder controlar cada una por separado. No obstante, es posible conectar hasta cuatro luces a un solo relé. Si desea instalar más de cuatro luces en un sistema Aqualink RS, asegúrese de que exista más de un relé auxiliar disponible en la central de alimentación.

Consulte las *Figura 2* y *Figura 3* para conectar las luces blancas Jandy a la central de alimentación.

## ⚠ ADVERTENCIA

### RIESGO DE DESCARGA ELÉCTRICA O ELECTROCUCIÓN,

por el cual es posible sufrir lesiones graves o la muerte. Se debe proporcionar un interruptor de circuito por falla a tierra (GFCI) para modelos de 120 voltios. Se debe utilizar un interruptor de circuito por falla a tierra (GFCI) para los transformadores de 120 voltios si el fabricante del transformador lo requiere o si el código local aplicable y la autoridad con jurisdicción (AHJ) lo requieren. Cuando se utiliza un interruptor GFCI, los conductores en el lado de carga del circuito GFCI no deben ocupar el conducto, las cajas o los gabinetes donde se alojan otros conductores a menos que los conductores adicionales también se protejan con un GFCI. Consulte los códigos locales para obtener todos los detalles.

**NOTA:** Las luces blancas Jandy se encuentran disponibles en versiones de 120 y 12 voltios. Si se desea instalar una luz de 12 voltios, el uso de un transformador reductor de 120 voltios/12 voltios certificado por NRTL es *obligatorio*. Para obtener más información sobre las instalaciones de 12 voltios, consulte la *Sección 2.3, Instalación de 12 voltios*.

### 4.2 Cableado a un reloj registrador

Es posible conectar las luces LED blancas Jandy a un reloj registrador básico para que se enciendan automáticamente a una hora predefinida. Consulte la *Figura 4* para conectar las luces al reloj registrador.

### 4.3 Cableado a un interruptor

Es posible conectar las luces LED blancas Jandy a un interruptor para encender y apagar las luces manualmente. Consulte la *Figura 5* para conectar las luces al interruptor.

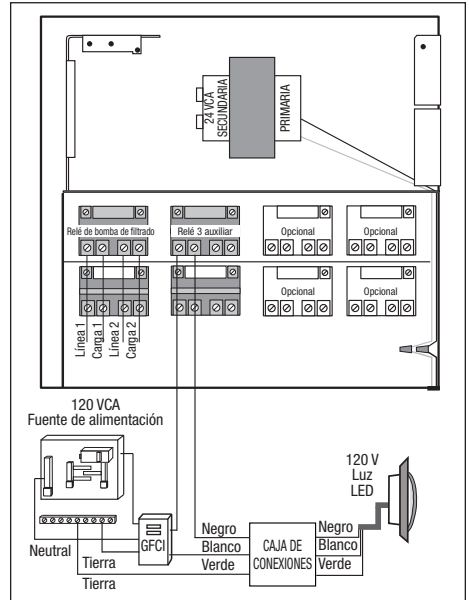
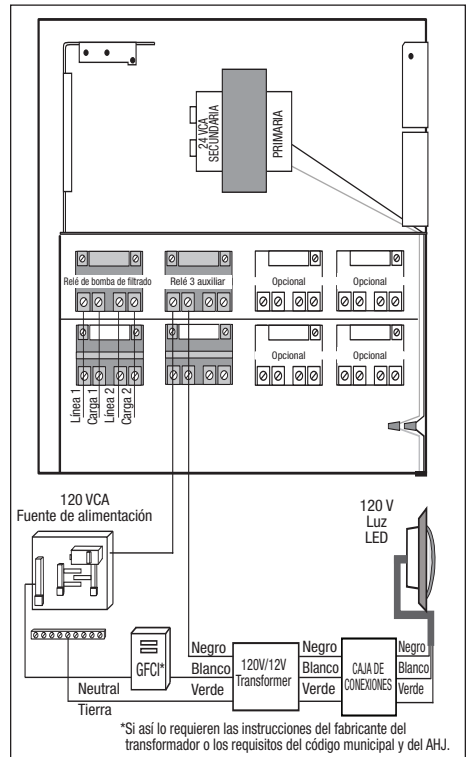


Figura 2. Esquema eléctrico de las luces LED blancas Jandy de 120 voltios



\*Si así lo requieren las instrucciones del fabricante del transformador o los requisitos del código municipal y del AHJ.

Figura 3. Esquema eléctrico de las luces LED blancas Jandy de 12 voltios

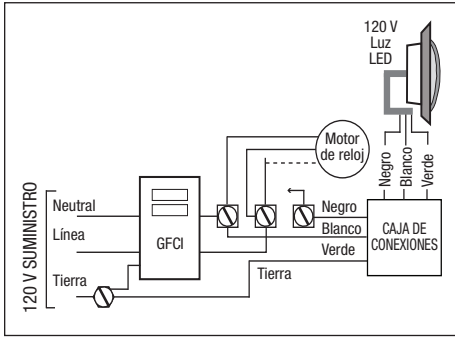


Figura 4. Cableado de una luz LED blanca Jandy a un reloj registrador

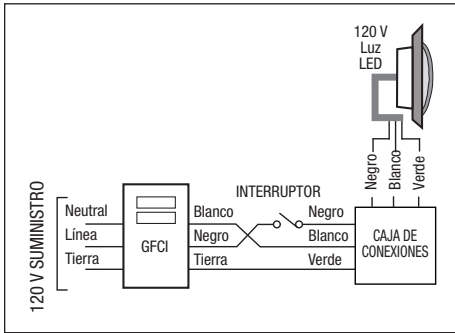


Figura 5. Cableado de una luz LED blanca Jandy a un interruptor

## Sección 5. Contenido adicional en línea

Para mayor información sobre el tema siguiente, refiérase por favor al manual en línea:

- Descripción del producto y números de modelos