



WaterColors RGBW LED Lights

Underwater Large and Small Lights

Essential installation and startup instructions are included in this manual. Additional operation and troubleshooting information is available online by scanning the QR code with your phone or visiting jandy.com



WARNING

FOR YOUR SAFETY – This product must be installed and serviced by a contractor who is licensed and qualified in pool equipment by the jurisdiction in which the product will be installed where such state or local requirements exist. The maintainer must be a professional with sufficient experience in pool equipment installation and maintenance so that all of the instructions in this manual can be followed exactly. Before installing this product, read and follow all warning notices and instructions that accompany this product. Failure to follow warning notices and instructions may result in property damage, personal injury, or death. Improper installation and/or operation may void the warranty.

Improper installation and/or operation can create unwanted electrical hazard which may cause serious injury, property damage, or death. **DO NOT MODIFY THIS EQUIPMENT.**



ATTENTION INSTALLER – This manual contains important information about the installation, operation and safe use of this product. This information should be given to the owner/operator of this equipment.

Table of Contents

Section 1. Important Safety Instructions	2	Section 4. Wiring Options for Controlling Jandy WaterColors LED Lights	6
Section 2. Installing Jandy Light During New Construction	3	4.1 Wiring to an AquaLink® RS Control System	6
2.1 Preparing the Light Fixture for Installation.....	3	4.2 Wiring to a Time Clock	7
2.2 Installing the Light Fixture	4	4.3 Wiring to a Switch.....	7
2.3 Twelve (12) Volt Installation.....	5	Section 5. Jandy WaterColors RGBW LED Light Operating Instructions	7
Section 3. Replacing Jandy Light Fixture in an Existing Pool or Spa	5	5.1 To Operate the Light and Change Colors	7
3.1 Preparing the Light Fixture for Replacement.....	5	5.2 To Reset to the Beginning of the Color Sequence.....	8
3.2 Replacing the Light Fixture	5	Section 6. Additional Online Content	8

FCC Regulatory Compliance Statement

This device complies with Part 15 of the FCC Rules. Operation is subject to the following two conditions:

1. This device may not cause harmful interference, and
2. This device must accept any interference received, including interference that may cause undesired operation.

⚠ CAUTION

Changes or modifications not expressly approved by the party responsible for compliance could void the user's authority to operate the equipment.

NOTE: This equipment has been tested and found to comply with the limits for a Class B digital device, pursuant to Part 15 of the FCC Rules. These limits are designed to provide reasonable protection against harmful interference in a residential installation. This equipment generates, uses and can radiate radio frequency energy and, if not installed and used in accordance with the instructions, may cause harmful interference to radio communications. However, there is no guarantee that interference will not occur in a particular installation. If this equipment does cause harmful interference to radio or television reception which can be determined by turning the equipment off and on, the user is encouraged to try to correct the interference by one or more of the following measures:

- Reorient or relocate the receiving antenna.
- Increase the separation between the equipment and receiver.
- Connect the equipment into an outlet on a circuit different from that to which the receiver is connected.
- Consult the dealer or an experienced radio/TV technician for help.

Section 1. Important Safety Instructions

IMPORTANT SAFETY INSTRUCTIONS PERTAINING TO A RISK OF FIRE, ELECTRIC SHOCK, OR INJURY TO PERSONS

READ AND FOLLOW ALL INSTRUCTIONS

When installing and using this electrical equipment, basic safety precautions should always be followed, including the following:

⚠ WARNING

RISK OF ELECTRICAL SHOCK OR ELECTROCUTION. This underwater light must be installed by a licensed or certified electrician in accordance with the National Electrical Code and applicable local codes and ordinances. Improper installation will create an electrical hazard, which could result in death or serious injury to pool or spa users, installers, or others due to electrical shock, and may also cause damage to property. Read and follow the specific instructions below.

Before installing this underwater light, read and follow all warning notices and instructions accompanying this light. Failure to follow safety warnings and instructions can result in severe injury, death, or property damage.

⚠ CAUTION

Except when the Jandy WaterColors RGBW LED Lights are installed in an area of the swimming pool that is not used for swimming and the lens is adequately guarded to keep any person from contacting it, the light shall be installed in or on a wall of the pool, with the top of the lens opening not less than 18 inches (457 mm) below the normal water level of the pool.

NOTICE

The Jandy WaterColors RGBW LED Lights are intended for installation in fresh water and salt water swimming pools. It is important to ensure that the wet niches in which the lights are installed are intended for their appropriate application, either fresh water or salt water pools.

SAVE THESE INSTRUCTIONS

Section 2. Installing Jandy Light During New Construction

⚠ WARNING

RISK OF ELECTRICAL SHOCK OR ELECTROCUTION.

This underwater light must be installed by a licensed or certified electrician or a qualified pool serviceman in accordance with the National Electrical Code and all applicable local codes and ordinances. Improper installation will create an electrical hazard, which could result in death or serious injury to pool or spa users, installers or others due to electrical shock, and may also cause damage to property.

Always disconnect the power to the color light at the circuit breaker before installing or servicing the light. Failure to do so could result in death or serious injury to serviceman, pool or spa users or others due to electrical shock.

⚠ WARNING

RISK OF ELECTRICAL SHOCK OR ELECTROCUTION

which could result in serious injury or death. A Ground Fault Circuit Interrupter (GFCI) for 120 Volt transformers should be used if required by the transformer manufacturer or if required by the local applicable code and/or Authority Having Jurisdiction (AHJ). When a GFCI is used, the conductors on the load side of the GFCI circuit shall not occupy conduit boxes, or enclosures containing other conductors unless the additional conductors are also protected by a GFCI. Refer to local codes for complete details.

Some of the requirements of the National Electrical Code, which the pool or spa's electrical systems must meet, are as follows:

- The Junction Box (or, for 12 volt models, the low voltage transformer) must be located at least eight (8) inches above water level, at least four (4) inches above ground level or pool deck level, and at least four (4) feet from the edge of the pool or spa, or per the junction box and/or transformer manufacturer's instructions. See *Figure 2* for pools and *Figure 3* for spas.
- The light fixture and all metal items within five (5) feet of the pool or spa must be properly electrically bonded to a reliable point of grounding.
- The wet niche must be properly installed so that the top edge of the underwater light's lens is at least 18 inches below the surface of the water in the pool or spa; see *Figure 2* or *Figure 3*.

2.1 Preparing the Light Fixture for Installation

NOTE: The electrician must complete preparatory steps before light fixture is installed. See *Figure 1*.

Ensure that the pool meets the requirements of the current National Electrical Code® and all local codes and ordinances. A licensed or certified electrician must install the electrical system to meet or exceed those requirements before the underwater light is installed.

National Electrical Code® (NEC®) requires bonding of the Pool Water. Where none of the bonded pool equipment, structures, or parts are in direct connection with the pool water; the pool water shall be in direct contact with an approved corrosion-resistant conductive surface that exposes not less than 5800 mm² (9 in²) of the surface area to the pool water at all times. The conductive surface shall be located where it is not exposed to physical damage

or dislodgement during usual pool activities, and it shall be bonded in accordance with the bonding requirements of NEC Article 680. Refer to locally enforced codes for any additional pool and spa bonding requirements.

NOTE: To be certain that the pool's electrical system meets all applicable requirements, the electrician should also consult the local building department.

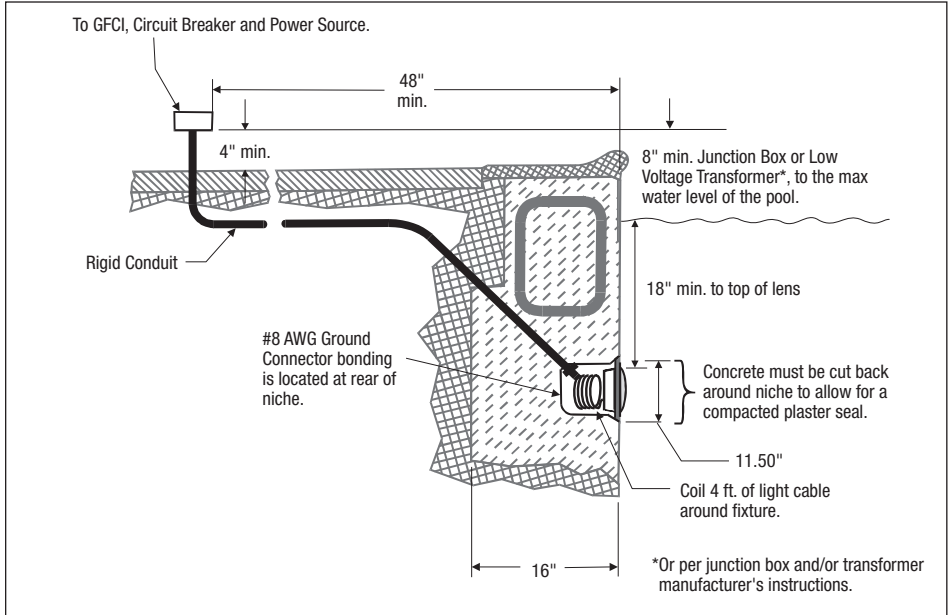


Figure 1. Jandy Digital Color Light Installation

Use only approved wet niches (see following note) to ensure a safe and proper installation.

NOTE: Jandy lights are ETL listed for installation with *only* the following manufacturer's wet niche fixtures:

Large Niche Model Numbers:

- Jandy: PLNICLRG, PLNICVFLRG, WT000002, SSNICLRG1R, SSNICLRG1S
- Pentair®: 620004, 78210200 thru 700, 78210401
- Hayward® DuraNiche: SP0600U

Small Niche Model Numbers:

- Jandy: PLNICSM, SSNICSM,
- Pentair: 79206600

2.2 Installing the Light Fixture

NOTE: Perform these steps *only* after the electrical system requirements are met.

1. Feed cord through conduit to junction box, leaving at least four (4) feet of cord at the light fixture to coil into the base of the light niche, see *Figure 1*. The four (4) feet of cord allows the light to be serviced after the pool is filled with water.
2. Cut the cord at the junction box, leaving at least six (6) inches of cord to make connections.

3. Strip six (6) inches of the outer cord jacket to expose the three insulated wires. *Be careful not to damage the insulation on the three (3) inner wires.*
4. Install strain relief over cord jacket and connect all three (3) wires to the corresponding circuit wires in the junction box. Install the junction box cover.
5. Coil the 4-foot length of cord around the fixture or into the base of the pool niche, and place the light assembly into the niche.
6. Engage the retainer tab on the bottom of the face ring, then pivot the top of the fixture inward and tighten the special pilot screw.

⚠ WARNING

Use only the special pilot screw provided with this underwater light. This screw mounts and electrically grounds the housing securely to the mounting ring and wet niche. Failure to use the screw provided could create an electrical hazard, which could result in death or serious injury to pool or spa users, installers or others due to electrical shock.

7. Fill the pool until the underwater light is completely submerged in water before operating the light for more than 2 minutes. The light will heat up quickly when operated outside of water. Turn on main switch or circuit breaker, and the switch, which operates the underwater light, to check for proper operation. Refer to *Section 5, Jandy WaterColors RGBW LED Light Operating Instructions*.

⚠ WARNING

Never operate this underwater light for more than 10 seconds unless it is totally submerged in water. Without total submersion, the light assembly will get extremely hot, which may result in serious burns or in breakage of the bulb or lens. This may result in serious injury to pool or spa users, installers, or bystanders or damage to property.

2.3 Twelve (12) Volt Installation

A separate 12-Volt AC Transformer is required on all 12-Volt Models. For Jandy WaterColors RGBW LED Light use a 150-watt multi-tap 12-volt system per light.

⚠ WARNING

To minimize risk of electrical shock or electrocution, which could result in injury or death, for supply connection of low-voltage lights use only an isolating low voltage power supply, evaluated and listed by a Nationally Recognized Testing Laboratory (NRTL) for swimming pool use.

NOTE: For optimum performance Jandy recommends to use one transformer per 12-volt light.

To ensure maximum safety, a transformer that has been listed by a Nationally Recognized Testing Laboratory (NRTL) for swimming pool use must be used.

Section 3. Replacing Jandy Light Fixture in an Existing Pool or Spa

⚠ WARNING

RISK OF ELECTRICAL SHOCK OR ELECTROCUTION.

This underwater light must be installed by a licensed or certified electrician or a qualified pool serviceman in accordance with the National Electrical Code and all applicable local codes and ordinances. Improper installation will create an electrical hazard, which could result in death or serious injury to pool or spa users, installers or others due to electrical shock, and may also cause damage to property.

Always disconnect the power to the color light at the circuit breaker before installing or servicing the light. Failure to do so could result in death or serious injury to serviceman, pool or spa users or others due to electrical shock.

3.1 Preparing the Light Fixture for Replacement

Verify that the pool meets the requirements of the current National Electrical Code® (NEC) and all local codes and ordinances. A licensed or certified electrician must install the electrical system to meet or exceed those requirements before the underwater light is installed. Some of the requirements of the National Electrical Code, which the pool's electrical system must meet, are as follows:

1. The lighting circuit must have a Ground Fault Circuit Interrupter (GFCI) for 120 volt models, and must have an appropriately rated circuit breaker.
2. The junction box (or, for 12 volt models, the low voltage transformer) must be located at least eight (8) inches above water level, at least four (4) inches above ground level or pool deck level, and at least 48 inches from the edge of the pool or spa. See *Figure 1*.
3. The light fixture and all metal items within five (5) feet of the pool must be properly electrically bonded to a reliable point of grounding.
4. The wet niche must be properly installed so that the top edge of the underwater light's lens is at least 18 inches below the surface of the water in the pool. See *Figure 1*.
5. The wet niche must be properly electrically bonded and grounded via the No. 8 AWG ground connector located at the rear of the niche. See *Figure 1*.

To be certain that the pool's electrical system meets all applicable requirements, the electrician should also consult the local building department.

3.2 Replacing the Light Fixture

NOTE: Perform these steps *only* after the electrical system requirements are met.

⚠ WARNING

Failure to bring the pool's electrical system up to code requirements before installing the underwater light will create an electrical hazard which could result in death or serious injury to pool or spa users, installers, or others due to electrical shock, and may also cause damage to property.

NOTE: The light fixture may be replaced without removing water from the pool.

1. Turn off the **main** electrical switch or circuit breaker, as well as the switch, which operates the underwater light.
2. Unscrew the special pilot screw at top of the face ring and remove the light assembly from the niche, and place the assembly on the deck.

⚠ WARNING

Be sure to keep the special pilot screw provided with this underwater light. This screw mounts and electrically grounds the housing securely to the mounting ring and wet niche. Failure to use the screw provided could create an electrical hazard, which could result in death or serious injury to pool or spa users, installers or others due to electrical shock.

3. Remove Junction Box cover, disconnect the light fixture wires and strain relief, and then pull the cord out of the conduit from the niche.
4. Feed the new light fixture cord through the conduit from the niche to the Junction Box.

NOTE: Depending on the length of the conduit, special tools may be required to pull the cord through the conduit.

5. Leave at least four (4) feet of cord to coil around the light fixture or coiled into the base of the light niche, see *Figure 1*. This allows the light to be serviced after the pool is filled with water.
6. Cut the cord at the Junction Box, leaving at least six (6) inches of cord to make connections.
7. Strip six (6) inches of the outer cord jacket from the cord to expose the three insulated wires. *Be careful not to damage the insulation on the three (3) inner wires.*
8. Install the strain relief over the cord jacket and connect all three wires to the corresponding circuit wires in the junction box. Install the junction box cover.
9. Reinstall the light assembly into the niche and tighten the special pilot screw.

⚠ WARNING

Use only the special pilot screw provided with this underwater light. This screw mounts and electrically grounds the housing securely to the mounting ring and wet niche. Failure to use the screw provided could create an electrical hazard, which could result in death or serious injury to pool or spa users, installers or others due to electrical shock.

10. Fill the pool until the underwater light is completely submerged in water before operating the light for more than 10 seconds. Turn on main switch or circuit breaker, as well as the switch, which operates the underwater light, to check for proper operation. Refer to *Section 5, Jandy WaterColors RGBW LED Light Operating Instructions*.

⚠ WARNING

Never operate this underwater light for more than 10 seconds unless it is totally submerged in water. Without total submersion, the light assembly will get extremely hot, which may result in serious burns or in breakage of the bulb or lens. This may result in serious injury to pool or spa users, installers, or bystanders or in damage to property.

Section 4. Wiring Options for Controlling Jandy WaterColors LED Lights

NOTE: The Jandy WaterColors RGBW LED Lights will not operate properly with light dimmers. *Do not wire the Jandy Lights to any dimming circuitry.*

To the extent allowed by code and capacity of the electrical equipment, multiple Jandy lights may be controlled with a single switch so their colors will *always* be synchronized.

Separate switches may be used to control the on/off and color functions of each Jandy light. It is recommended that these switches be located next to each other to facilitate simple color synchronization when desired. *All switches must be operated at the same time to assure color synchronization.* Otherwise, the lights will work independently of each other.

4.1 Wiring to an AquaLink® RS Control System

The Jandy WaterColors RGBW LED Lights can be wired into the Jandy AquaLink® RS control system to provide simplified operation of the lights, as well as a means to synchronize the color change function. Connect the lights to one of the auxiliary relays in the Power Center.

NOTE: It is recommended to connect one light per relay so each light can be controlled separately. However, up to four lights can be connected on a single relay. If there are more than four lights installed on one AquaLink RS system, ensure there is more than one auxiliary relay available in the Power Center.

Refer to *Figure 2* and *Figure 3* to connect the Jandy Color Lights to the Power Center.

⚠ WARNING

RISK OF ELECTRICAL SHOCK OR ELECTROCUTION, which could result in serious injury or death. A Ground Fault Circuit Interrupter (GFCI) must be provided for 120 volt models. A Ground Fault Circuit Interrupter (GFCI) for 120 Volt transformers should be used if required by the transformer manufacturer or if required by the local applicable code and/or Authority Having Jurisdiction (AHJ). When a GFCI is used, the conductors on the load side of the GFCI circuit shall not occupy conduit, boxes, or enclosures containing other conductors unless the additional conductors are also protected by a GFCI. Refer to local codes for complete details.

NOTE: The Jandy WaterColors Lights are available in 120-volt and 12-volt versions. If installing a 12-volt light, a NRTL certified 120-volt/12-volt step-down (AC) transformer *must* be used. For more information about 12-volt installations, refer to *Section 2.3, Twelve (12) Volt Installation* of this manual.

4.2 Wiring to a Time Clock

The Jandy WaterColors RGBW LED Lights can be wired into a basic time clock to automatically turn on the lights at a predesignated time. Refer to *Figure 4* to connect the lights into the time clock.

4.3 Wiring to a Switch

The Jandy WaterColors RGBW LED Lights can be wired into a switch to manually turn on/off the lights. Refer to *Figure 5* to connect the lights into the switch.

Section 5. Jandy WaterColors RGBW LED Light Operating Instructions

5.1 To Operate the Light and Change Colors

Turn the light **ON**. The **first** time the light is turned on, the color sequence begins with the Alpine White. To change the color, turn the light OFF and then ON within three (3) seconds. Continue turning OFF and ON until the desired light color mode is reached. See *Table 1* for the color mode sequence.

Sequence Order	Color Modes
1	Alpine White
2	Sky Blue
3	Cobalt Blue
4	Caribbean Blue
5	Spring Green
6	Emerald Green
7	Emerald Rose
8	Magenta
9	Violet
10	Slow Color Splash
11	Fast Color Splash
12	America the Beautiful
13	Fat Tuesday
14	Disco Tech

Table 1. Jandy WaterColors Lights Sequence

NOTE: When the light is turned OFF for more than seven (7) seconds, it will remain in the color set that is currently active. When the light is turned back ON, the light will be on the same color set.

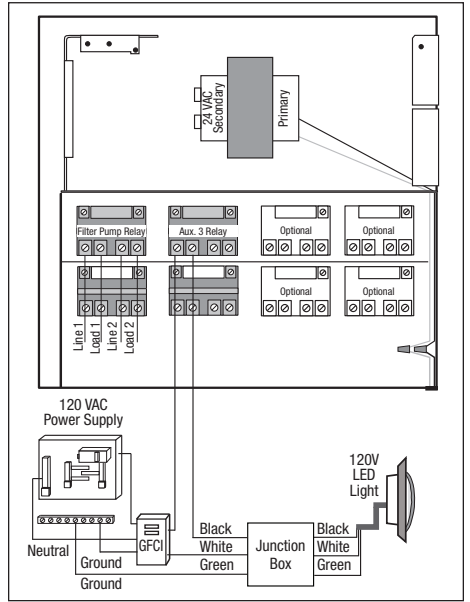


Figure 2. 120-Volt Jandy WaterColors RGBW LED Light Wiring Diagram

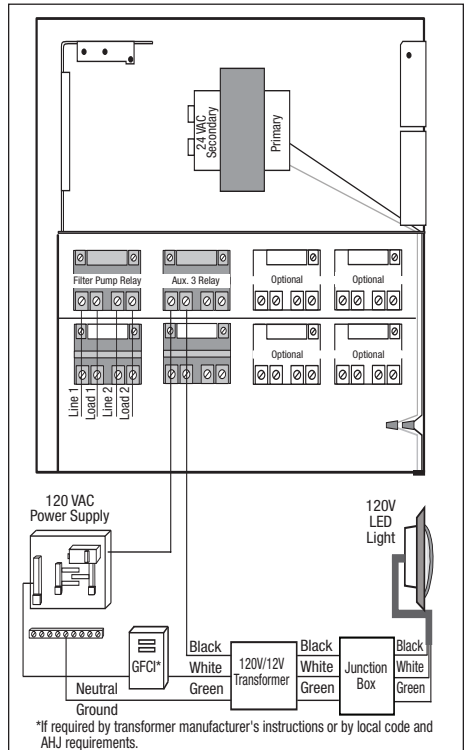


Figure 3. 12-Volt Jandy WaterColors RGBW LED Light Wiring Diagram

*If required by transformer manufacturer's instructions or by local code and AHJ requirements.

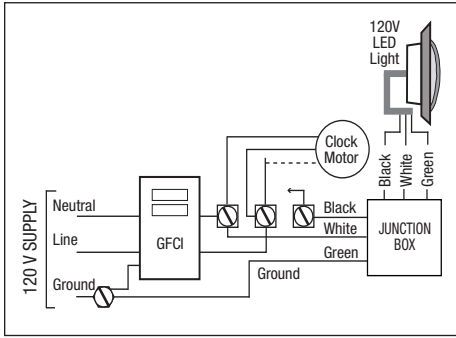


Figure 4. Wiring the Jandy WaterColors RGBW LED Light to a Time Clock

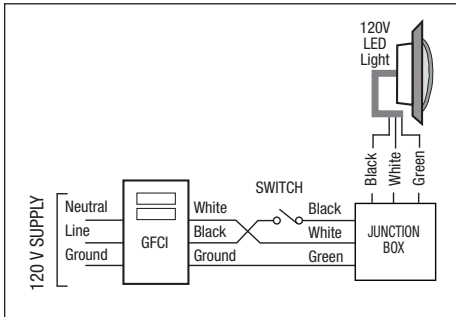


Figure 5. Wiring the Jandy WaterColors RGBW LED Light to a Switch

5.2 To Reset to the Beginning of the Color Sequence

Turn the light OFF, wait four (4) to five (5) seconds, then turn ON, the light will return to the beginning of the color cycle (Alpine White).

NOTE: If an AquaLink® RS control system is being used the color set can be selected using the indoor controller.

To synchronize colors on multiple Jandy WaterColors RGBW LED Light systems wired to separate switches, perform the above actions on all of their switches simultaneously. All Jandy WaterColors RGBW LED Lights will synchronize automatically if activated by the same switch. No other accessories are required.

Section 6. Additional Online Content

For information on the following, please refer to the online manual:

- Product Description and Model Numbers



Lampes à DEL RGBW WaterColors

Grandes et petites lumières sous-marines

Les instructions essentielles d'installation et de démarrage sont incluses dans ce manuel. Des informations supplémentaires sur le fonctionnement et le dépannage sont disponibles en ligne en scannant le code QR avec votre téléphone ou en visitant jandy.com



AVERTISSEMENT

POUR VOTRE SÉCURITÉ – Ce produit doit être installé et entretenu par un entrepreneur qualifié en équipements de piscine disposant d'un permis délivré par la juridiction dans laquelle le produit est installé lorsque de telles exigences étatiques ou locales existent. L'agent d'entretien doit être un professionnel disposant de suffisamment d'expérience dans l'installation et l'entretien de l'équipement de piscine, afin de s'assurer que toutes les directives du présent manuel sont scrupuleusement respectées. Avant d'installer ce produit, lire et suivre tous les avertissements et toutes les directives qui accompagnent ce produit. Tout non-respect des instructions d'avertissement peut entraîner des dommages matériels, des blessures corporelles ou même la mort. Une mauvaise installation ou utilisation annule la garantie.

Une mauvaise installation ou utilisation peut engendrer un danger électrique pouvant entraîner des dommages matériels ou des blessures graves, voire mortelles. **NE PAS MODIFIER CET ÉQUIPEMENT.**



À L'ATTENTION DE L'INSTALLATEUR – Le présent manuel contient des informations importantes sur l'installation, le fonctionnement et l'utilisation sécuritaire de ce produit. Ces informations doivent être transmises au propriétaire ou à l'utilisateur de cet équipement.

Table des matières

Section 1. Consignes de sécurité importantes	10	Section 4. Options de câblage pour le contrôle des lampes à DEL WaterColors de Jandy	14
Section 2. Installation du luminaire de Jandy pour une nouvelle construction	11	4.1 Câblage à un système de contrôle Aqualink® RS.....	14
2.1 Préparation du luminaire pour l'installation	11	4.2 Câblage à une minuterie	15
2.2 Installation du luminaire	12	4.3 Câblage à un interrupteur	15
2.3 Installation 12 volts	13	Section 5. Mode d'emploi de la lampe à DEL RGBW WaterColors de Jandy.....	15
Section 3. Remplacement d'un luminaire de Jandy dans une piscine ou un spa existant.....	13	5.1 Pour faire fonctionner la lampe et changer les couleurs.....	15
3.1 Préparation du luminaire pour le remplacement	13	5.2 Pour réinitialiser la séquence de couleurs	16
3.2 Remplacement du luminaire	14	Section 6. Contenu en ligne supplémentaire.....	16

Déclaration de conformité réglementaire FCC

Ce dispositif est conforme à la partie 15 des directives FCC. Son fonctionnement est soumis aux deux conditions suivantes :

1. Cet appareil ne doit pas provoquer d'interférences nuisibles, et
2. Cet appareil doit accepter toute interférence reçue, y compris les interférences susceptibles de provoquer un fonctionnement indésirable.

MISE EN GARDE

Tout changement ou modification non expressément approuvé par la partie responsable de la conformité pourrait annuler l'autorité de l'utilisateur à utiliser l'équipement.

REMARQUE : Cet équipement a été testé et déclaré conforme aux limites pour un appareil numérique de Classe B, conformément à la partie 15 des directives FCC. Ces limites sont conçues pour fournir une protection raisonnable contre les interférences nuisibles dans une installation résidentielle. Cet équipement génère, utilise et peut émettre de l'énergie radio électrique et, s'il n'est pas installé et utilisé conformément aux instructions, peut causer des interférences nuisibles aux communications radio. Toutefois, il n'existe aucune garantie que des interférences ne se produiront pas dans une installation particulière. Si cet équipement cause des interférences nuisibles à la réception des signaux de radio ou de télévision, ce qui peut être déterminé en allumant et en éteignant l'équipement, l'utilisateur est encouragé à essayer de corriger les interférences en prenant une ou plusieurs des mesures suivantes :

- Réorienter ou déplacer l'antenne de réception.
- Augmenter la distance entre l'équipement et le récepteur.
- Brancher l'équipement sur une prise différente de celle sur laquelle le récepteur est connecté.
- Consultez votre revendeur ou un technicien radio/TV expérimenté pour obtenir de l'aide.

Section 1. Consignes de sécurité importantes

CONSIGNES DE SÉCURITÉ IMPORTANTES CONCERNANT LE RISQUE D'INCENDIE, DE DÉCHARGE ÉLECTRIQUE OU DE BLESSURES CORPORELLES

LIRE ET SUIVRE TOUTES LES DIRECTIVES

Au moment de l'installation et de l'utilisation de cet équipement électrique, des précautions de base doivent toujours être suivies, entre autres :

⚠ AVERTISSEMENT

RISQUE DE DÉCHARGE ÉLECTRIQUE OU D'ÉLECTROCUTION. Cette lampe immergée doit être installée par un électricien agréé ou certifié en accord avec le Code national de l'électricité américain (National Electrical Code, ou NEC) et avec les autres codes et règlements applicables à l'échelle locale. Une installation inappropriée peut causer des dommages matériels et entraîner un risque de danger électrique (décharge électrique ou électrocution) pouvant causer des blessures graves et même la mort des installateurs ou des utilisateurs de la piscine ou du spa. Lisez et respectez les instructions détaillées ci-dessous.

Avant d'installer la lampe immergée, lisez et respectez toutes les consignes de mise en garde et les instructions incluses avec cette lampe. Toute effraction à ces consignes de sécurité et instructions peut causer des blessures graves ou mortelles, ou des dommages matériels.

⚠ MISE EN GARDE

Sauf dans le cas où les lampes à DEL RGBW WaterColors de Jandy sont installées dans une zone de la piscine qui n'est pas utilisée pour nager et où la lentille est protégée de façon adéquate pour empêcher qu'une personne entre en contact avec elle, la lampe doit être installée dans un mur de la piscine ou sur celui-ci, avec le haut de l'ouverture de la lentille au moins à 457 mm (18 po) sous le niveau d'eau normal de la piscine.

AVIS

Les lampes à DEL RGBW WaterColors de Jandy sont conçues pour être installées dans les piscines d'eau douce et d'eau salée. Assurez-vous que les niches immergées dans lesquelles les lampes doivent être installées sont conçues pour l'utilisation appropriée : eau douce ou eau salée.

CONSERVER CES DIRECTIVES

Section 2. Installation du luminaire de Jandy pour une nouvelle construction

⚠ AVERTISSEMENT

RISQUE DE DÉCHARGE ÉLECTRIQUE OU D'ÉLECTROCUTION.

Cette lampe immergée doit être installée par un électricien agréé ou certifié, ou par un technicien de piscine qualifié, en accord avec le Code national d'électricité américain (National Electrical Code, ou NEC) et avec tout autre code et règlement local applicable. Une installation inappropriée peut causer des dommages matériels et entraîner un risque de danger électrique (décharge électrique ou électrocution) pouvant causer des blessures graves et même la mort des installateurs ou des utilisateurs de la piscine ou du spa.

Coupez toujours le courant de la lampe de couleur au disjoncteur avant de l'installer ou de l'entretenir. Ne pas respecter cette consigne pourrait causer des blessures graves ou la mort du réparateur, des utilisateurs de la piscine ou du spa, ou de toute autre personne, par décharge électrique.

Assurez-vous que la piscine répond bien aux exigences du Code national d'électricité américain (National Electrical Code®, ou NEC) et à tous les codes et règlements en vigueur à l'échelle locale. L'installation du système électrique doit être effectuée par un électricien agréé ou certifié qui devra s'assurer que les exigences réglementaires sont satisfaites, voire dépassées, avant d'installer la lampe immergée.

⚠ AVERTISSEMENT

RISQUE DE DÉCHARGE ÉLECTRIQUE OU D'ÉLECTROCUTION

pouvant entraîner des blessures graves ou la mort. Un disjoncteur de fuite à la terre pour les transformateurs de 120 volts doit être utilisé si requis par le fabricant du transformateur ou si requis par le code local applicable et/ou l'autorité compétente. Lorsqu'un disjoncteur de fuite à la terre est utilisé, les conducteurs du côté charge du circuit de celui-ci ne doivent pas occuper des boîtes de raccordement ou des boîtiers contenant d'autres conducteurs, à moins que les conducteurs supplémentaires ne soient également protégés par un disjoncteur de fuite à la terre. Reportez-vous aux codes locaux pour plus de détails.

Voici certaines des normes du Code national de l'électricité américain auquel le système électrique de la piscine ou du spa doit se conformer:

- La boîte de jonction (ou, pour les modèles 12 volts, le transformateur basse tension) doit être située à au moins huit (8) pouces au-dessus du niveau de l'eau, à au moins quatre (4) pouces au-dessus du niveau du sol ou de la plage de la piscine, et à au moins quatre (4) pieds du bord de la piscine ou du spa,

2.1 Préparation du luminaire pour l'installation

REMARQUE : L'électricien doit réaliser toutes les étapes préparatoires avant d'installer le luminaire. Voir *Figure 1*.

ou selon les instructions du fabricant de la boîte de jonction et/ou du transformateur. Voir la *Figure 2* pour les piscines et la *Figure 3* pour les spas.

- La lampe et tous les composants métalliques qui se trouvent dans un rayon de cinq (5) pieds (1,5 m) de la piscine ou du spa doivent être correctement mis à la terre électriquement et ce, à un point de terre fiable.
- La niche immergée doit être installée correctement de manière à ce que le bord supérieur du verre de protection de la lampe immergée soit situé à au moins 18 pouces (45 cm) sous le niveau de l'eau de la piscine ou du spa. Voir la *Figure 2* ou *Figure 3*.

Le National Electrical Code® (NEC®) exige que l'eau de la piscine soit liée à la masse. Lorsqu'aucun des équipements de piscine, structures ou pièces liés à la masse n'est connecté directement avec l'eau de la

piscine; l'eau de la piscine doit être en contact direct avec une surface conductrice approuvée résistante à la corrosion qui expose à tout moment au moins 5 800 mm² (9 po²) de surface à l'eau de la piscine. La surface conductrice doit être située là où elle n'est pas exposée à des dommages physiques ou à un déplacement lors des activités habituelles de la piscine, et elle doit être collée conformément aux exigences de liaison à la masse de l'article 680 du NEC. Reportez-vous aux codes en vigueur localement pour toute exigence supplémentaire de liaison à la masse de la piscine et du spa.

REMARQUE : Pour s'assurer que le système électrique de la piscine répond à toutes les exigences applicables, l'électricien devrait également consulter le service du bâtiment local.

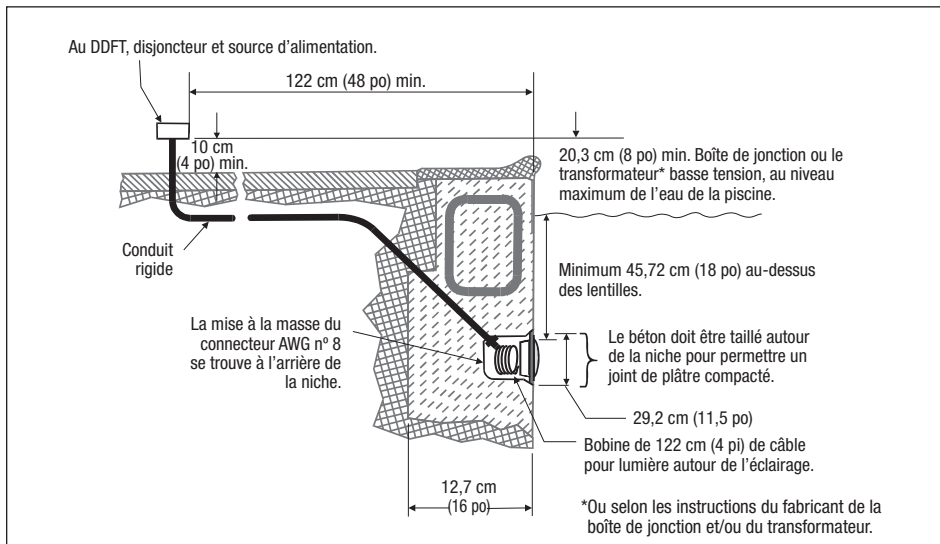


Figure 1. Installation de la lampe de couleur numérique de Jandy

Utiliser uniquement des niches humides approuvées (voir la remarque suivante) pour assurer une installation sûre et appropriée.

REMARQUE : Les lampes de Jandy sont homologuées ETL pour une installation *uniquement* avec les niches immergées des fabricants suivants :

Numéros de modèles de niches de grande taille :
 Jandy : PLNICLRG, PLNICVFLRG, WT000002, SSNICLRG1R, SSNICLRG1S
 Pentair® : 620004, 78210200 à 700, 78210401
 Hayward® DuraNiche : SP0600U

Numéros de modèles de niches de petite taille :
 Jandy : PLNICSM, SSNICSM,
 Pentair : 79206600

2.2 Installation du luminaire

REMARQUE : Réalisez ces étapes *seulement* une fois que les exigences du système électrique sont satisfaites.

1. Faites passer le câble dans le conduit vers la boîte de jonction, en laissant au moins 121,92 cm (4 pi) de câble au luminaire pour l'enrouler dans la base de la niche de la lampe; consultez *Figure 1*. Ces 121,92 cm

(4 pi) de câble permettront d'effectuer l'entretien de la lampe une fois que la piscine est remplie d'eau.

2. Coupez le câble au niveau de la boîte de jonction, en laissant environ 15,24 cm (6 po) de câble pour les connexions.
3. Dénudez 15,24 cm (6 po) de câble pour exposer les trois (3) fils isolés. *Attention de ne pas endommager l'isolant des trois (3) fils qui sont à l'intérieur du câble.*
4. Installez le serre-câble sur la gaine de câble et branchez les trois (3) fils sur les fils du circuit correspondants dans la boîte de jonction. Installez le couvercle de la boîte de jonction.
5. Enroulez les 121,92 cm (4 pi) de câble autour du luminaire ou à la base de la niche de la piscine et placez la lampe dans la niche.
6. Engagez la languette de retenue au bas de l'anneau frontal, faites pivoter le haut du luminaire vers l'intérieur et serrez la vis-guide.

⚠ AVERTISSEMENT

Utilisez uniquement la vis-guide fournie avec cette lampe immergée. Cette vis maintient solidement et relie à la terre électriquement le boîtier à la bague de montage et à la niche immergée. Ne pas utiliser cette vis peut créer un danger électrique pouvant causer la mort par décharge électrique ou des blessures graves aux utilisateurs ou à l'installateur de la piscine ou du spa, ou à des tiers.

7. Remplissez la piscine jusqu'à ce que la lampe immergée soit complètement submergée avant de l'allumer pendant plus de deux (2) minutes. La lampe chauffe rapidement lorsqu'elle est utilisée hors de l'eau. Allumez l'interrupteur ou le disjoncteur principal et l'interrupteur qui commande la lampe immergée pour vérifier qu'elle fonctionne bien. Reportez-vous à la *Section 5, Mode d'emploi de la lampe à DEL RGBW WaterColors de Jandy*.

⚠ AVERTISSEMENT

Ne faites jamais fonctionner cette lampe immergée durant plus de 10 secondes si elle n'est pas totalement submergée. Si elle n'est pas totalement sous l'eau, la lampe deviendra extrêmement chaude, ce qui risquerait de vous brûler sévèrement ou de causer une défaillance de l'ampoule ou de la lentille. Cela pourrait blesser grièvement les utilisateurs ou les installateurs de la piscine ou du spa, ou toute autre personne à proximité, et pourrait causer des dommages matériels.

2.3 Installation 12 volts

Un transformateur de 12 V CA distinct est nécessaire pour tous les modèles de 12 volts. Dans le cas des lampes à DEL RGBW WaterColors de Jandy, utilisez un système de 12 volts multiprises de 150 watts pour chaque lampe.

⚠ AVERTISSEMENT

Pour réduire le risque de décharge électrique ou d'électrocution, ce qui pourrait entraîner des blessures ou la mort, relativement au raccordement de l'alimentation de lampes basse tension, utilisez uniquement un bloc d'alimentation basse tension isolant, évalué et homologué par un laboratoire de test reconnu à l'échelle nationale (NRTL) pour un usage dans une piscine.

REMARQUE : Pour une performance optimale, de Jandy recommande l'utilisation d'un transformateur pour chaque lampe de 12 volts.

Pour garantir une sécurité maximale, il faut utiliser un transformateur homologué par un laboratoire d'essai reconnu au niveau national (NRTL) pour l'utilisation dans les piscines.

Section 3. Remplacement d'un luminaire de Jandy dans une piscine ou un spa existant**⚠ AVERTISSEMENT****RISQUE DE DÉCHARGE ÉLECTRIQUE OU D'ÉLECTROCUTION.**

Cette lampe immergée doit être installée par un électricien agréé ou certifié, ou par un technicien de piscine qualifié, en accord avec le Code national d'électricité américain (National Electrical Code, ou NEC) et avec tout autre code et règlement local applicable. Une installation inappropriée peut causer des dommages matériels et entraîner un risque de danger électrique (décharge électrique ou électrocution) pouvant causer des blessures graves et même la mort des installateurs ou des utilisateurs de la piscine ou du spa.

Coupez toujours le courant de la lampe de couleur au disjoncteur avant de l'installer ou de l'entretenir. Ne pas respecter cette consigne pourrait causer des blessures graves ou la mort du réparateur, des utilisateurs de la piscine ou du spa, ou de toute autre personne, par décharge électrique.

3.1 Préparation du luminaire pour le remplacement

Assurez-vous que la piscine satisfait les exigences du Code national de l'électricité américain (National Electrical Code®, ou NEC) en vigueur et de tous les codes et règlements locaux. L'installation du système électrique doit être effectuée par un électricien agréé ou certifié qui devra s'assurer que les exigences réglementaires sont satisfaites, voire dépassées, avant d'installer la lampe immergée. Certaines exigences du Code national de l'électricité américain auxquelles la piscine doit se conformer se déclinent comme suit :

1. Le circuit d'éclairage doit comprendre un disjoncteur de fuite à la terre pour les modèles de 120 volts, et le disjoncteur doit comporter un fusible de calibre approprié.
2. La boîte de jonction (ou le transformateur basse tension pour les modèles 12 volts) doit se trouver au moins à 20,32 cm (8 po) au-dessus du niveau de l'eau, au moins à 10,16 cm (4 po) au-dessus du niveau du sol ou de la plateforme et au moins à 121,92 cm (48 po) du bord de la piscine ou du spa. Voir *Figure 1*.
3. Le luminaire et tous les composants métalliques qui se trouvent dans un rayon de 152,4 cm (5 pi) de la piscine doivent être mis à la terre correctement, à un point de terre fiable.
4. La niche immergée doit être installée de manière à ce que le bord supérieur de la lentille de la lampe soit à 45,72 cm (18 po) en dessous de la surface de l'eau de la piscine. Voir *Figure 1*.
5. La niche immergée doit être correctement mise à la terre à l'aide de la cosse de mise à la terre AWG 8 qui se trouve à l'arrière de la niche. Voir *Figure 1*.

Pour s'assurer que le système électrique de la piscine répond à toutes les exigences applicables, l'électricien doit également consulter le Service local de construction.

3.2 Remplacement du luminaire

REMARQUE : Réalisez ces étapes *seulement* une fois que les exigences du système électrique sont satisfaites.

⚠ AVERTISSEMENT

Ne pas respecter la conformité aux normes du code pour le système électrique de la piscine avant d'installer la lampe immergée entraîne un danger électrique susceptible de causer la mort par décharge électrique ou des blessures graves aux utilisateurs ou aux installateurs de la piscine ou du spa, ou encore à des tiers, et pourrait causer des dommages matériels.

REMARQUE : Il est possible de remplacer le luminaire sans vider la piscine.

1. Éteignez l'interrupteur électrique ou le disjoncteur principal et l'interrupteur qui commande la lampe immergée.
2. Dévissez la vis-guide située en haut de l'anneau frontal et sortez le luminaire de la niche afin de le placer sur la plateforme de la piscine.

⚠ AVERTISSEMENT

Assurez-vous de conserver la vis-guide fournie avec cette lampe immergée. Cette vis maintient solidement et relie à la terre électriquement le boîtier à la bague de montage et à la niche immergée. Ne pas utiliser cette vis peut créer un danger électrique pouvant causer la mort par décharge électrique ou des blessures graves aux utilisateurs ou à l'installateur de la piscine ou du spa, ou à des tiers.

3. Retirez le couvercle de la boîte de jonction, débranchez les fils du luminaire et le serre-câble, puis tirez sur le câble pour le faire sortir du conduit à partir de la niche.
4. Faites passer le câble du nouveau luminaire dans le conduit de la niche jusqu'à la boîte de jonction.

REMARQUE : Selon la longueur du conduit, vous pourriez avoir besoin d'outils spéciaux pour tirer le cordon à travers le conduit.

5. Laissez au moins 121,92 cm (4 pi) de câble au luminaire pour l'enrouler autour du luminaire ou dans la base de la niche de la lampe; consultez *Figure 1*. Cela permettra d'effectuer l'entretien de la lampe une fois que la piscine est remplie d'eau.
6. Coupez le câble au niveau de la boîte de jonction, en laissant au moins 15,24 cm (6 po) de câble pour effectuer les branchements.
7. Dénudez le câble sur 15,24 cm (6 po) pour exposer les trois (3) fils internes isolés. *Attention de ne pas endommager l'isolant des trois (3) fils qui sont à l'intérieur du câble.*
8. Installez le serre-câble sur la gaine de câble et branchez les trois (3) fils sur les fils du circuit correspondants dans la boîte de jonction. Installez le couvercle de la boîte de jonction.
9. Réinstallez le luminaire dans la niche et serrez la vis-guide.

⚠ AVERTISSEMENT

Utilisez uniquement la vis-guide fournie avec cette lampe immergée. Cette vis maintient solidement et relie à la terre électriquement le boîtier à la bague de montage et à la niche immergée. Ne pas utiliser cette vis peut créer un danger électrique pouvant causer la mort par décharge électrique ou des blessures graves aux utilisateurs ou à l'installateur de la piscine ou du spa, ou à des tiers.

10. Remplissez la piscine jusqu'à ce que la lampe immergée soit complètement submergée avant d'allumer la lampe pendant plus de 10 secondes. Allumez l'interrupteur ou le disjoncteur principal ainsi que l'interrupteur qui commande la lampe immergée pour vérifier qu'elle fonctionne bien. Reportez-vous à la *Section 5, Mode d'emploi de la lampe à DEL RGBW WaterColors de Jandy*.

⚠ AVERTISSEMENT

Ne faites jamais fonctionner cette lampe immergée durant plus de 10 secondes si elle n'est pas totalement submergée. Si elle n'est pas totalement sous l'eau, la lampe deviendra extrêmement chaude, ce qui risquerait de vous brûler sévèrement ou de causer une défaillance de l'ampoule ou de la lentille. Cela pourrait blesser grièvement les utilisateurs ou les installateurs de la piscine ou du spa, ou toute autre personne à proximité, et pourrait causer des dommages matériels.

Section 4. Options de câblage pour le contrôle des lampes à DEL WaterColors de Jandy

REMARQUE : Les lampes à DEL RGBW WaterColors de Jandy ne fonctionneront pas correctement avec des gradateurs de lumière. *Ne pas brancher les lampes de Jandy à une circuiterie de gradateur.*

Dans la mesure où le permettent un code et la capacité de l'équipement électrique, il est possible de contrôler plusieurs lampes de Jandy avec un seul interrupteur de manière à ce que leurs couleurs soient *toujours* synchronisées.

Des interrupteurs différents peuvent être utilisés pour contrôler la fonction marche/arrêt et les fonctions des couleurs de chaque lampe de Jandy. Il est conseillé d'installer ces interrupteurs à proximité les uns des autres pour faciliter la synchronisation simple des couleurs lorsque vous le souhaitez. *Tous les interrupteurs doivent être actionnés en même temps pour assurer une bonne synchronisation des couleurs.* Autrement, les lampes fonctionneront indépendamment les unes des autres.

4.1 Câblage à un système de contrôle Aqualink® RS

Les lampes à DEL RGBW WaterColors de Jandy peuvent être câblées au système de contrôle Aqualink® RS de Jandy pour faciliter l'utilisation des lampes et pour synchroniser la fonction de changement de couleur. Raccordez les lampes à l'un des relais auxiliaires dans le centre de puissance électrique.

REMARQUE : Il est recommandé de brancher une lampe par relais de manière à ce que chaque lampe puisse être contrôlée indépendamment. Toutefois, un maximum de quatre (4) lampes peut être branché à un même relais. Si plus de quatre (4) lampes sont installées sur un système Aqualink RS, assurez-vous que plusieurs relais soient disponibles dans le centre de puissance électrique.

Consultez les *Figure 2* et *Figure 3* pour brancher les lampes de couleur de Jandy au centre de puissance électrique.

⚠ AVERTISSEMENT

RISQUE DE DÉCHARGE ÉLECTRIQUE OU

D'ÉLECTROCUTION pouvant entraîner de graves blessures ou la mort. Pour les modèles de 120 volts, un disjoncteur de fuite à la terre doit être utilisé. Un disjoncteur de fuite à la terre doit être fourni pour les transformateurs de 120 V si requis par le fabricant du transformateur, le code local applicable ou l'autorité compétente. Les conducteurs du côté charge du circuit du disjoncteur de fuite à la terre ne doivent pas se trouver dans les conduits, les boîtiers ou les enveloppes contenant d'autres conducteurs, à moins que les conducteurs supplémentaires ne soient aussi protégés par un disjoncteur de fuite à la terre. Se reporter aux codes locaux pour obtenir les détails complets.

REMARQUE : Les lampes WaterColors de Jandy sont offertes en versions de 120 volts et 12 volts. Dans le cas de l'installation d'une lampe de 12 volts, il faut utiliser un transformateur abaisseur de 120 volts/12 volts certifié NRTL. Pour obtenir plus de détails sur les installations 12 volts, reportez-vous à la *Section 2.3, Installation 12 volts*.

4.2 Câblage à une minuterie

Les lampes à DEL RGBW WaterColors de Jandy peuvent être câblées à une minuterie de base pour allumer automatiquement les lampes à une heure en particulier. Reportez-vous à *Figure 4* pour brancher les lampes à la minuterie.

4.3 Câblage à un interrupteur

Il est possible de câbler les lampes à DEL RGBW WaterColors de Jandy à un interrupteur pour allumer et éteindre les lampes manuellement. Reportez-vous à *Figure 5* pour brancher les lampes à l'interrupteur.

Section 5. Mode d'emploi de la lampe à DEL RGBW WaterColors de Jandy

5.1 Pour faire fonctionner la lampe et changer les couleurs

ALLUMEZ la lampe. La **première** fois que la lampe est allumée, la séquence de changement des couleurs démarre avec la couleur Blanc alpin. Pour changer la couleur, éteignez la lampe et allumez-la de nouveau dans les trois (3) secondes. Continuez à éteindre et à allumer la lampe jusqu'à ce que le mode de couleur souhaité soit atteint. Voir le *Table 1* pour consulter la séquence de modes de couleurs.

Ordre de la séquence	Modes de couleurs
1	Blanc alpin
2	Bleu ciel
3	Bleu cobalt
4	Bleu Caraïbes
5	Vert printemps
6	Vert émeraude
7	Rose émeraude
8	Magenta
9	Violet
10	Éclaboussure lente de couleur
11	Éclaboussure rapide de couleur
12	Amérique la belle
13	Mardi gras
14	Discothèque

Table 1. Séquence des lampes WaterColors de Jandy

REMARQUE : Lorsque la lampe reste ÉTEINTE pendant plus de sept (7) secondes, elle reste programmée sur la couleur qui était active lorsqu'elle a été éteinte. Lorsque la lampe est de nouveau ALLUMÉE, elle sera dans la même couleur programmée.

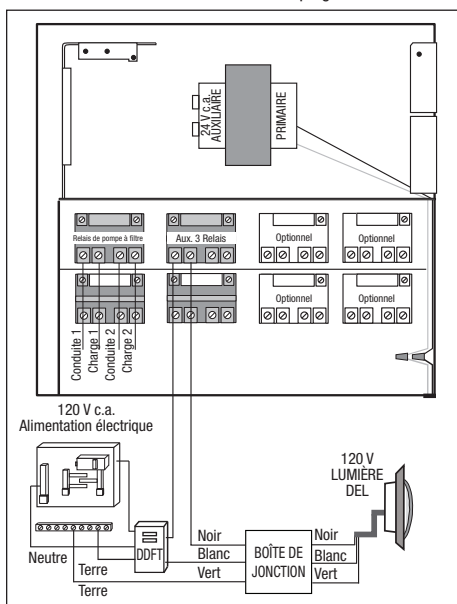


Figure 2. Schéma de câblage de lampe à DEL RGBW WaterColors 120 volts de Jandy

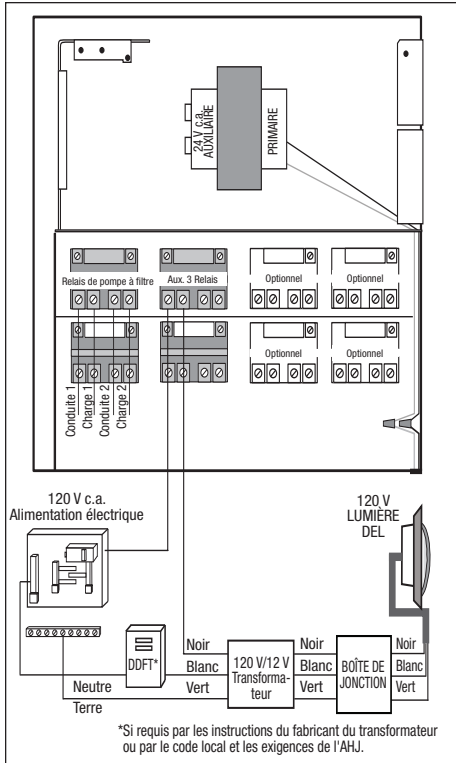


Figure 3. Schéma de câblage de lampe à DEL RGBW WaterColors 12 volts de Jandy

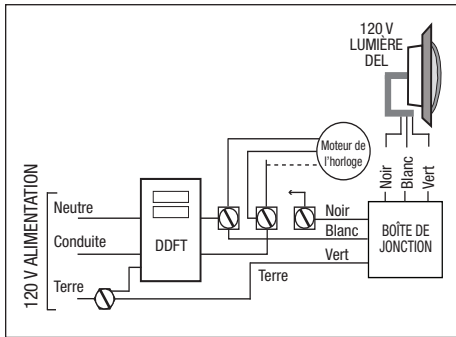


Figure 4. Câblage de la lampe à DEL RGBW WaterColors de Jandy à une minuterie

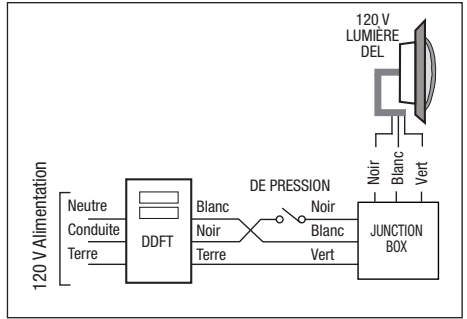


Figure 5. Câblage de la lampe à DEL RGBW WaterColors de Jandy à un interrupteur

5.2 Pour réinitialiser la séquence de couleurs

ÉTEIGNEZ la lampe, attendez de quatre (4) à cinq (5) secondes, puis ALLUMEZ-la. La lampe reviendra au commencement du cycle de couleurs (Blanc alpin).

REMARQUE : Si un système de contrôle AquaLink® RS est utilisé, il est possible de définir la couleur à l'aide du contrôleur intérieur.

REMARQUE : Pour synchroniser les couleurs sur plusieurs lampes à DEL RGBW WaterColors de Jandy branchées à des interrupteurs distincts, effectuez les opérations précédentes simultanément sur tous leurs interrupteurs. Toutes les lampes à DEL RGBW WaterColors de Jandy se synchroniseront automatiquement si elles sont activées par le même interrupteur. Aucun autre accessoire n'est requis.

Section 6. Contenu en ligne supplémentaire

Pour plus d'informations sur les points suivants, veuillez vous référer au manuel en ligne :

- Description du produit et numéros de modèles



Luz LED RGBW WaterColors

Luces subacuáticas grandes y pequeñas

En este manual se incluyen las instrucciones esenciales de instalación y puesta en marcha. La información adicional sobre el funcionamiento y la solución de problemas se tiene disponible en línea escaneando el código QR con su teléfono o visitando jandy.com



⚠ ADVERTENCIA

PARA SU SEGURIDAD – La instalación y el servicio de este producto deben estar a cargo de un contratista cualificado y matriculado para trabajar con equipamientos para piscinas en la jurisdicción en la que se instalará el producto, donde existan tales requisitos estatales o locales. El técnico de servicio debe ser profesional y contar con experiencia suficiente en instalación y mantenimiento de equipamientos para piscinas, para que todas las instrucciones de este manual se puedan seguir exactamente. Antes de instalar este producto, lea y siga todos los avisos de advertencia y las instrucciones que se proporcionan con el producto. Si no se siguen los avisos de advertencia o las instrucciones, es posible que se produzcan daños materiales, lesiones personales o la muerte. Una instalación u operación incorrectas pueden anular la garantía.

La instalación o la operación inadecuadas pueden generar peligros eléctricos no deseados que pueden provocar lesiones graves, daños materiales o la muerte. **DO NO MODIFIQUE ESTE EQUIPO.**



ATENCIÓN INSTALADOR – Este manual contiene información importante acerca de la instalación, la operación y la utilización seguras de este producto. Esta información debe proporcionarse al propietario/operador de este equipo.

Contenido

Sección 1. Instrucciones importantes de seguridad.....	18	Sección 4. Opciones de cableado para controlar las luces LED Jandy WaterColors	22
Sección 2. Instalación de la luz Jandy en una obra de construcción... 19		4.1 Cableado para un sistema de control AquaLink® RS	22
2.1 Preparación de la luz para su instalación.....	19	4.2 Cableado para un cronómetro.....	23
2.2 Instalación de la luz	20	4.3 Cableado para un interruptor	23
2.3 Instalación del modelo de doce (12) voltios	21	Sección 5. Instrucciones de operación de las luces LED RGBW Jandy WaterColors	23
Sección 3. Reemplazo de la luz Jandy en una piscina o spa existente	21	5.1 Para operar la luz y cambiar colores	23
3.1 Preparación de la luz para su reemplazo	21	5.2 Para volver al comienzo de la secuencia de color.....	24
3.2 Reemplazo de la luz	22	Sección 6. Contenido adicional en línea....	24

Declaración de cumplimiento normativo en conformidad con la FCC

Este dispositivo cumple con la parte 15 de las reglas de la FCC. El funcionamiento está sujeto a las dos condiciones siguientes:

1. Este dispositivo no puede provocar interferencias nocivas.
2. Este dispositivo debe aceptar cualquier interferencia recibida, incluidas las interferencias que pueden provocar un funcionamiento no deseado.

PRECAUCIÓN

Cualquier cambio o modificación no aprobado expresamente por la parte responsable del cumplimiento puede anular el permiso del usuario para operar el equipo.

NOTA: Este equipo se probó, y se determinó que cumple con los límites de dispositivo digital de Clase B, en conformidad con la parte 15 de las reglas de la FCC. Estos límites están diseñados para proporcionar una protección razonable contra las interferencias perjudiciales en una instalación residencial. Este equipo genera, usa y puede irradiar energía de radiofrecuencia y, si no se instala y usa de conformidad con las instrucciones, puede provocar interferencias perjudiciales para las comunicaciones por radio. Sin embargo, no se garantiza que no habrá interferencias en una instalación en particular. Si este equipo provoca interferencias perjudiciales para la recepción de radios o televisores, lo que puede determinarse al encender y apagar el equipo, se recomienda al usuario intentar corregir la interferencia mediante uno o más de los métodos siguientes:

- Reoriente o cambie la ubicación de la antena receptora.
- Aumente la distancia entre el equipo y el receptor.
- Conectar el equipo a una toma que no esté en el mismo circuito en el que está conectado el receptor.
- Solicite ayuda al vendedor o a un técnico experto en radio y TV.

Sección 1. Instrucciones importantes de seguridad

INSTRUCCIONES IMPORTANTES DE SEGURIDAD EN RELACIÓN CON EL RIESGO DE INCENDIOS, DESCARGAS ELÉCTRICAS O LESIONES PERSONALES

LEA Y SIGA TODAS LAS INSTRUCCIONES

Cuando se instale y utilice este equipo eléctrico, siempre se deberán seguir las siguientes precauciones básicas de seguridad:

⚠ ADVERTENCIA

RIESGO DE DESCARGA ELÉCTRICA O ELECTROCUCIÓN. La instalación de esta luz subacuática deberá ser realizada por un electricista certificado, de acuerdo al Código Eléctrico Nacional y las demás normas y ordenanzas locales correspondientes. La instalación incorrecta significará un riesgo eléctrico que puede provocar descargas eléctricas y dañar la propiedad o causar la muerte o lesiones graves a los usuarios de la piscina o el spa, los instaladores u otras personas. Lea y siga las instrucciones específicas a continuación.

Antes de instalar esta luz subacuática, lea, siga las instrucciones y preste atención a las advertencias que vienen con el producto. No seguir las instrucciones ni prestar la debida atención a las advertencias puede ocasionar daños a la propiedad, lesiones graves y hasta la muerte.

⚠ PRECAUCIÓN

Excepto cuando las luces LED RGBW Jandy WaterColors se instalen en un área de la piscina que no se use para nadar y los lentes se protejan de manera adecuada para evitar que una persona haga contacto con ellos, la luz se deberá instalar en la pared de la piscina o sobre la mima, con la parte superior de la abertura del lente a un mínimo de 18 pulgadas (457 mm) por debajo del nivel de agua normal de la piscina.

AVISO

Las luces LED RGBW Jandy WaterColors están diseñadas para instalarse en piscinas de agua fresca y de agua salada. Es importante asegurarse de que los nichos donde instalará las luces sean los adecuados para la aplicación, ya sea en agua dulce o salada.

GUARDE ESTAS INSTRUCCIONES

Sección 2. Instalación de la luz Jandy en una obra de construcción

o con licencia debe instalar el sistema eléctrico de modo que cumpla o sobrepase los requisitos pertinentes antes de la instalación de la luz subacuática.

⚠ ADVERTENCIA

RIESGO DE DESCARGAS ELÉCTRICAS O ELECTROCUCIÓN.

Esta luz subacuática deberá ser instalada por un electricista certificado o con licencia, o por una persona encargada del mantenimiento de la piscina, de acuerdo al Código Eléctrico Nacional y todas las demás normas y ordenanzas locales correspondientes. La instalación incorrecta significará un riesgo eléctrico que puede provocar descargas eléctricas y dañar la propiedad o causar la muerte o lesiones graves a los usuarios de la piscina o el spa, los instaladores u otras personas.

Antes de instalar o realizar el mantenimiento de la luz, desconecte siempre la alimentación de la luz de color con el disyuntor de la piscina. De lo contrario, se podrían generar descargas eléctricas y causar graves lesiones o incluso la muerte a la persona encargada del mantenimiento y a los usuarios de la piscina o el spa.

2.1 Preparación de la luz para su instalación

NOTA: El electricista debe completar los pasos de preparación antes de instalar la luz. Véase la *Figura 1*.

Asegúrese de que la piscina o el spa cumplan con los requisitos del Código Eléctrico Nacional® y las demás normas y ordenanzas locales. Un electricista certificado

⚠ ADVERTENCIA

RIESGO DE DESCARGAS ELÉCTRICAS O ELECTROCUCIÓN que podría provocar lesiones graves o incluso la muerte. Se debe usar un interruptor de circuito por falla a tierra (ICFT) para transformadores de 120 voltios si lo requiere el fabricante del transformador o si lo requieren las normativas locales y/o la autoridad competente. Cuando se usa un ICFT, los conductores del lado de carga del circuito del ICFT no deben situarse en cajas de conductos o gabinetes que contengan otros conductores a menos que los conductores adicionales también estén protegidos por un ICFT. Consulte la normativa local para obtener información detallada.

Algunos de los requisitos del Código Eléctrico Nacional de EE. UU., que deben cumplir los sistemas eléctricos de la piscina o el spa son:

- La caja de conexiones (o, en el caso de modelos de 12 voltios, el transformador de bajo voltaje) debe colocarse al menos ocho (8) pulgadas [20.32 cm] sobre el nivel del agua, al menos cuatro (4) pulgadas [10.16 cm] sobre el nivel del suelo o del nivel de la cubierta de la piscina, y al menos cuatro (4) pies [1.22 m] del borde de la piscina o spa, o conforme a las instrucciones del fabricante de la caja de conexiones y/o transformador. Véase *Figura 2* para piscinas y *Figura 3* para spas.

- La luz y todos los elementos metálicos que estén a menos de cinco (5) pies de la piscina o el spa deben estar correctamente interconectados y tener una conexión a tierra fiable.
- El nicho debe estar instalado correctamente, de manera que la parte superior del lente de la luz subacuática se encuentre al menos a 18 pulgadas por debajo de la superficie de agua en la piscina o el spa; véase *Figura 2* o *Figura 3*.

El National Electrical Code® (NEC®) requiere la conexión del agua de la piscina. Cuando ninguno de los equipos, estructuras o partes conectadas de la piscina esté en conexión directa con el agua de la

piscina, el agua de la piscina debe estar en contacto directo con una superficie conductora resistente a la corrosión aprobada que deje expuesto no menos de 5800 mm² (9 pulg²) de la superficie al agua de la piscina en todo momento. La superficie conductora se debe ubicar donde no esté expuesta a daños físicos o desprendimientos durante las actividades habituales de la piscina, y debe estar conectada de acuerdo con los requisitos de conexión del artículo 680 del NEC. Consulte la normativa local para conocer los requisitos adicionales de conexión de piscinas y spas.

NOTA: Para asegurarse de que el sistema eléctrico de la piscina cumpla todos los requisitos aplicables, el electricista debe consultar también al departamento de construcción local.

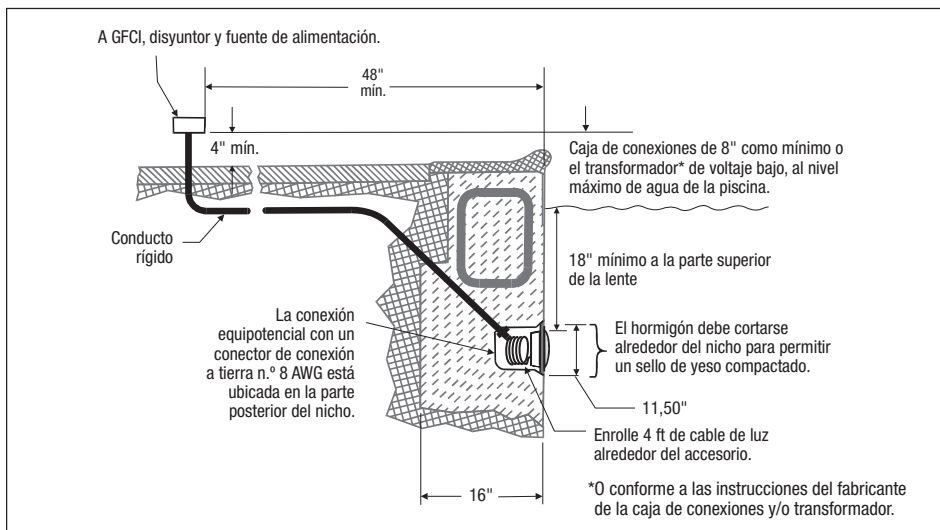


Figura 1. Instalación de la luz de colores digital Jandy

Utilice únicamente nichos húmedos aprobados (consulte la nota siguiente) para asegurar una instalación segura y correcta.

NOTA: Las luces Jandy tienen la aprobación ETL para instalarse *solamente* con accesorios de luces de nicho de los siguientes fabricantes:

Números de modelos de nicho tipo grande:
 Jandy: PLNICLRG, PLNICVFLRG, WT000002, SSNICLRG1R, SSNICLRG1S
 Pentair®: 620004, 78210200 a 700, 78210401
 Hayward® DuraNiche: SP0600U

Números de modelo de nicho tipo pequeño:
 Jandy: PLNICSM, SSNICSM,
 Pentair: 79206600

2.2 Instalación de la luz

NOTA: realice estos pasos *solamente* después de que se cumplan los requisitos del sistema eléctrico.

1. Haga pasar el cable a través del conducto hacia la caja terminal, y deje al menos cuatro (4) pies de cable en la luz para enrollarlo en la base del nicho de la luz, consulte la *Figura 1*. Los cuatro (4) pies de cable facilitan el mantenimiento una vez que la piscina esté llena.

2. Corte el cable en la caja terminal, deje al menos seis (6) pulgadas para realizar las conexiones.
3. Pele seis (6) pulgadas de la camisa del cable para dejar al descubierto los tres cables aislados. *Tenga cuidado de no dañar el aislamiento de los tres (3) cables internos.*
4. Instale el aliviador de tensión en la camisa del cable y conecte los tres (3) cables a los circuitos correspondientes en la caja terminal. Instale la cubierta de la caja terminal.
5. Enrolle los 4 pies de largo del cable alrededor de la luz o en la base del nicho de la piscina y coloque el conjunto de la luz en el nicho.
6. Enganche la brida de retención a la parte inferior del aro frontal, luego gire la parte superior de la luz hacia dentro y apriete el tornillo piloto especial.

⚠ ADVERTENCIA

Utilice los tornillos piloto especiales que vienen con esta luz subacuática. Este tornillo monta y establece una conexión a tierra segura entre el compartimento y el anillo de montaje y el nicho. Toda falla que surgiera durante la utilización del tornillo, podría generar una descarga eléctrica y provocar lesiones graves o la muerte de los usuarios de la piscina o el spa o las personas encargadas de la instalación.

7. Llene la piscina hasta que la luz subacuática quede totalmente sumergida en el agua antes de poner a funcionar la luz durante más de 2 minutos. La luz se calentará rápidamente si se opera fuera del agua. Encienda el interruptor principal o el disyuntor y el interruptor que activa la luz subacuática para verificar que funcionen correctamente. Véase la *Sección 5, Instrucciones de operación de las luces LED RGBW Jandy WaterColors*.

⚠ ADVERTENCIA

Nunca opere esta luz subacuática por más de 10 segundos a menos que esté completamente sumergida en el agua. De lo contrario, el conjunto de la luz se calentará demasiado, lo que podría provocar quemaduras graves o la rotura de la bombilla o el lente. Esto puede dañar la propiedad o resultar en lesiones graves a los usuarios de la piscina o el spa, las personas encargadas de la instalación o las personas que se encuentran alrededor.

2.3 Instalación del modelo de doce (12) voltios

Se necesita un transformador CA de 12 voltios separado en todos los modelos de 12 voltios. Para la luz LED RGBW Jandy WaterColors use un sistema de 12 voltios de derivación múltiple de 150 watts por cada luz.

⚠ ADVERTENCIA

Con el fin de minimizar el riesgo de descarga eléctrica o electrocución, que podría provocar lesiones o la muerte, para la conexión de luces de bajo voltaje use solamente una fuente de alimentación de bajo voltaje aislada, evaluada y certificada por un Laboratorio de Pruebas Reconocido a nivel nacional (NRTL) para uso en piscinas.

NOTA: Para que el funcionamiento sea óptimo, Jandy recomienda utilizar un transformador para cada luz de 12 voltios.

Para garantizar la máxima seguridad, se debe utilizar un transformador que haya sido incluido en la lista de un Laboratorio de Pruebas Reconocido Nacionalmente (NRTL, por sus siglas en inglés) para el uso en piscinas.

Sección 3. Reemplazo de la luz Jandy en una piscina o spa existente

⚠ ADVERTENCIA

RIESGO DE DESCARGAS ELÉCTRICAS O ELECTROCUCIÓN.

Esta luz subacuática deberá ser instalada por un electricista certificado o con licencia, o por una persona encargada del mantenimiento de la piscina, de acuerdo al Código Eléctrico Nacional y todas las demás normas y ordenanzas locales correspondientes. La instalación incorrecta significará un riesgo eléctrico que puede provocar descargas eléctricas y dañar la propiedad o causar la muerte o lesiones graves a los usuarios de la piscina o el spa, los instaladores u otras personas.

Antes de instalar o realizar el mantenimiento de la luz, desconecte siempre la alimentación de la luz de color con el disyuntor de la piscina. De lo contrario, se podrían generar descargas eléctricas y causar graves lesiones o incluso la muerte a la persona encargada del mantenimiento y a los usuarios de la piscina o el spa.

3.1 Preparación de la luz para su reemplazo

Compruebe que la piscina cumpla con los requisitos del Código Eléctrico Nacional® (NEC) y demás normas y ordenanzas. Un electricista certificado o con licencia debe instalar el sistema eléctrico de modo que cumpla o sobrepase los requisitos pertinentes antes de la instalación de la luz subacuática. Algunos de los requisitos del Código Eléctrico Nacional que debe cumplir el sistema eléctrico de la piscina son los siguientes:

1. El circuito de la luz debe tener un interruptor del circuito de fallos de conexión a tierra (GFCI) para los modelos de 120 voltios, y debe tener un disyuntor de clasificación apropiada.
2. La caja terminal (o un transformador de voltaje bajo para los modelos de 12 voltios) debe ubicarse al menos a ocho (8) pulgadas por encima del nivel del agua, al menos a cuatro (4) pulgadas por encima del nivel del suelo o del perímetro exterior de la piscina, y al menos a 48 pulgadas del borde de la piscina o el spa. Véase la *Figura 1*.
3. La luz y todos los elementos metálicos que estén a menos de cinco (5) pies de la piscina deben estar correctamente interconectados y tener una conexión a tierra fiable.
4. El nicho debe estar instalado correctamente, de manera que la parte superior del lente de la luz subacuática se encuentre a un mínimo de 18 pulgadas por debajo de la superficie de agua en la piscina. Véase la *Figura 1*.
5. El nicho debe tener sus partes metálicas correctamente interconectadas y una conexión a tierra a través de un conector a tierra AWG N° 8 ubicado en la parte trasera del nicho. Véase la *Figura 1*.

Para asegurarse de que el sistema eléctrico de la piscina cumpla con todos los requisitos correspondientes, el electricista debe consultar además con el departamento de construcción de su localidad.

3.2 Reemplazo de la luz

NOTA: realice estos pasos *solo* después de que se cumplan los requisitos del sistema eléctrico.

⚠ ADVERTENCIA

Si el sistema eléctrico de la piscina no se actualiza y no cumple los requisitos del código pertinente antes de instalar la luz subacuática, se producirán descargas eléctricas que pueden dañar la propiedad o causar la muerte o lesiones graves a los usuarios de la piscina o el spa, los instaladores u otras personas.

NOTA: Se puede reemplazar la luz sin necesidad de vaciar el agua de la piscina.

1. Apague el interruptor eléctrico **principal** o el disyuntor, además del interruptor que hace operar la luz subacuática.
2. Desatornille el tornillo piloto especial en la parte superior del aro frontal y retire del nicho el conjunto de la luz, y colóquelo sobre del perímetro exterior de la piscina.

⚠ ADVERTENCIA

Asegúrese de conservar el tornillo piloto especial que se incluye con esta luz subacuática. Este tornillo monta y establece una conexión a tierra segura entre el compartimento y el anillo de montaje y el nicho. Toda falla que surgiera durante la utilización del tornillo podría generar una descarga eléctrica y provocar lesiones graves o la muerte de los usuarios de la piscina o el spa o las personas encargadas de la instalación.

3. Retire la cubierta de la caja terminal, desconecte los cables de la luz y el aliviador de tensión, y jale el cable hacia afuera del conducto del nicho.
4. Pase el cable de la luz nueva desde el nicho hasta la caja terminal, a través del conducto.

NOTA: Dependiendo de la longitud del conducto, pueden requerirse herramientas especiales para jalar el cable por el conducto.

5. Deje al menos cuatro (4) pies de cable para enrollarlo alrededor de la luz o en la base del nicho de la luz, consulte la *Figura 1*. Esto permite que la luz reciba mantenimiento luego de que la piscina esté llena.
6. Corte el cable en la caja terminal, deje al menos seis (6) pulgadas para realizar las conexiones.
7. Pele seis (6) pulgadas de la camisa del cable para dejar al descubierto los tres cables aislados. *Tenga cuidado de no dañar el aislamiento de los tres (3) cables internos.*
8. Instale el aliviador de tensión en la camisa del cable y conecte los tres (3) cables a los circuitos correspondientes en la caja terminal. Instale la cubierta de la caja terminal.
9. Vuelva a instalar el conjunto de la luz en el nicho y ajuste el tornillo piloto especial.

⚠ ADVERTENCIA

Utilice los tornillos piloto especiales que vienen con esta luz subacuática. Este tornillo monta y establece una conexión a tierra segura entre el compartimento y el anillo de montaje y el nicho. Toda falla que surgiera durante la utilización del tornillo podría generar una descarga eléctrica y provocar lesiones graves o la muerte de los usuarios de la piscina o el spa o las personas encargadas de la instalación.

10. Llene la piscina o el spa hasta que la luz subacuática quede totalmente sumergida en el agua antes de poner a funcionar la luz durante más de 10 segundos. Encienda el interruptor principal o el disyuntor y el interruptor que hace operar la luz subacuática para verificar que funcione correctamente. Véase la *Sección 5, Instrucciones de operación de las luces LED RGBW Jandy WaterColors*.

⚠ ADVERTENCIA

Nunca opere esta luz subacuática por más de 10 segundos a menos que esté completamente sumergida en el agua. De lo contrario, el conjunto de la luz se calentará demasiado, lo que podría provocar quemaduras graves o la rotura de la bombilla o el lente. Esto puede dañar la propiedad o resultar en lesiones graves a los usuarios de la piscina o el spa, las personas encargadas de la instalación o las personas que permanecieran cerca.

Sección 4. Opciones de cableado para controlar las luces LED Jandy WaterColors

NOTA: Las **luces LED RGBW Jandy WaterColors** no funcionarán correctamente con reguladores de iluminación. *No conecte las luces Jandy a un circuito de difusión.*

En la medida permitida por el código y según la capacidad del equipo eléctrico, pueden controlarse varias luces Jandy con un solo interruptor, de modo que sus colores *siempre* estén sincronizados.

Pueden usarse interruptores separados para controlar el encendido/apagado y las funciones de colores de cada luz Jandy. Se recomienda que estos interruptores se ubiquen uno al lado de otro para facilitar la sincronización simple de colores cuando se desee. *Todos los interruptores deben operarse al mismo tiempo para asegurar la sincronización de los colores.* De lo contrario, las luces funcionarán independientemente unas de otras.

4.1 Cableado para un sistema de control AquaLink® RS

Las luces LED RGBW Jandy pueden conectarse al sistema de control AquaLink® RS de Jandy para proporcionar una operación simplificada de las luces, así como de los medios para sincronizar la función de cambio de color. Conecte las luces a uno de los relés auxiliares del centro de alimentación eléctrica.

NOTA: se recomienda conectar una luz por cada relé, para permitir su control por separado. Sin embargo, se pueden conectar hasta cuatro luces en un solo relé. Si existen más de cuatro luces instaladas en un sistema AquaLink RS, asegúrese de que haya más de un relé auxiliar en el centro de alimentación eléctrica.

Consulte las *Figura 2* y *Figura 3* para conectar las luces de colores Jandy al centro de alimentación eléctrica.

⚠ ADVERTENCIA

RIESGO DE DESCARGAS ELÉCTRICAS

O ELECTROCUCIÓN, que podría resultar en lesiones serias o la muerte. Se debe instalar un interruptor del circuito de fallos de conexión a tierra (GFCI) para los modelos de 120 voltios. Se recomienda usar interruptor de circuito con protección de falla a tierra (GFCI) para transformadores de 120 voltios si lo requiere el fabricante del transformador, o el código local aplicable y/o la autoridad con jurisdicción (AHJ). Cuando se use un GFCI, los conductores del lado de carga del circuito del GFCI no deberán ocupar conducto, carcasas u otras cubiertas que contengan otros conductores, a menos que los conductores adicionales también estén protegidos por un GFCI. Para más detalle consulte los códigos eléctricos regionales.

NOTA: Las luces Jandy WaterColors están disponibles en versiones de 120 voltios y 12 voltios. Si va a instalar una luz de 12 voltios, *debe* usar un transformador (CA) reductor de 120 voltios/12 voltios con la certificación NRTL. Para más información sobre instalaciones de 12 voltios, véase la *Section 2.3, Instalación del modelo de doce (12) voltios*.

4.2 Cableado para un cronómetro

Las luces LED RGBW Jandy WaterColors pueden conectarse a un cronómetro básico para encenderlas automáticamente en un tiempo designado. Consulte la *Figura 4* para conectar las luces al cronómetro.

4.3 Cableado para un interruptor

Las luces LED RGBW Jandy WaterColors pueden conectarse a un interruptor para encender/apagar manualmente las luces. Consulte la *Figura 5* para conectar las luces al interruptor.

Sección 5. Instrucciones de operación de las luces LED RGBW Jandy WaterColors

5.1 Para operar la luz y cambiar colores

ENCIENDA la luz. La *primera* vez que enciende la luz, la secuencia de color comienza con el blanco alpino. Para cambiar el color, APAGUE la luz y luego ENCIÉNDALA dentro de tres (3) segundos. Continúe APAGANDO y ENCENDIENDO hasta que se alcance la modalidad de color de luz deseada. Vea la *Tabla 1* para consultar la secuencia del modo de colores.

Orden de la secuencia	Modos de color
1	Blanco alpino
2	Azul cielo
3	Azul cobalto
4	Azul caribe
5	Verde primavera
6	Verde esmeralda
7	Rosa esmeralda
8	Magenta
9	Violeta
10	Collage lento de colores
11	Collage rápido de colores
12	América la Bella
13	Mardi Gras
14	Tecnodisco

Tabla 1. Secuencia de luces Jandy WaterColors

NOTA: Cuando la luz esté APAGADA por más de siete (7) segundos, se mantendrá en el conjunto de colores que esté actualmente activo. Cuando la luz se vuelve a ENCENDER, la luz se encenderá en el mismo conjunto de colores.

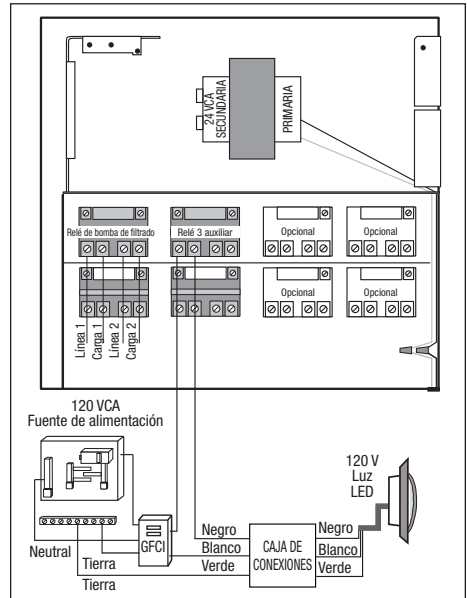


Figura 2. Diagrama de cables de luces LED RGBW Jandy WaterColors de 120 voltios

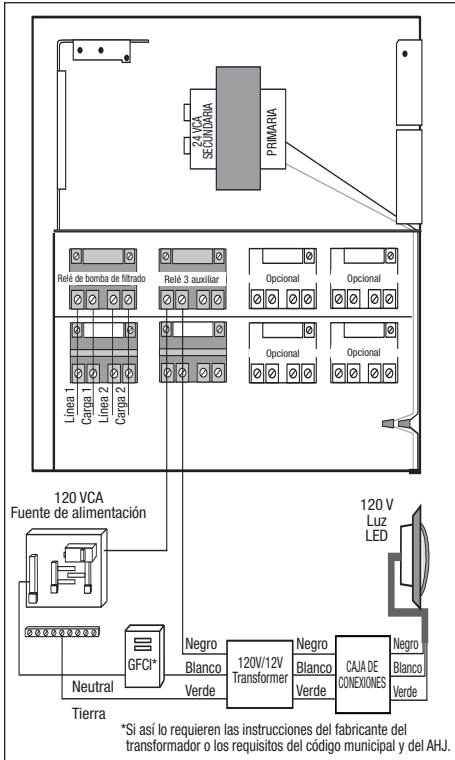


Figura 3. Diagrama de cables de luces LED RGBW Jandy WaterColors

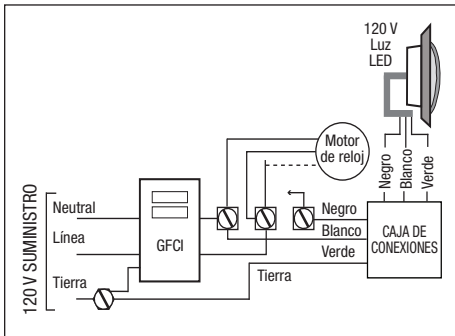


Figura 4. Cableado de la luz LED RGBW Jandy WaterColors a un reloj registrador

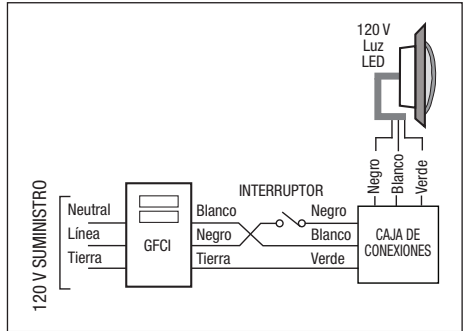


Figura 5. Cableado de la luz LED RGBW Jandy WaterColors a un interruptor

5.2 Para volver al comienzo de la secuencia de color

APAGUE la luz, espere de cuatro (4) a cinco (5) segundos, luego ENCIENDA. La luz volverá al comienzo del ciclo de colores (blanco alpino).

NOTA: Si utiliza un sistema de control AquaLink® RS, puede seleccionar el conjunto de colores usando el controlador interior.

Para sincronizar colores en múltiples sistemas de luz LED RGBW Jandy WaterColors a interruptores separados, realice las acciones anteriores en todos sus interruptores simultáneamente. Todas las luces LED RGBW Jandy WaterColors se sincronizarán automáticamente si se activan por el mismo interruptor. No se requieren otros accesorios.

Sección 6. Contenido adicional en línea

Para mayor información sobre el tema siguiente, refiérase por favor al manual en línea:

- Descripción de productos y número de modelos