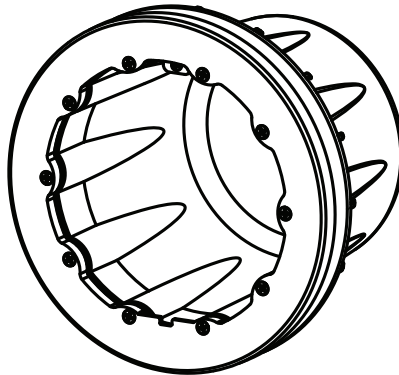




Installation Manual

Jandy Housing for Wet Niche Fixtures

For Vinyl and Fiberglass Pool Installations
Model No. PLNICVFLRG



⚠ WARNING

FOR YOUR SAFETY - This product must be installed and serviced by a contractor who is licensed and qualified in pool equipment by the jurisdiction in which the product will be installed where such state or local requirements exist. In the event no such state or local requirement exists, the installer or maintainer must be a professional with sufficient experience in pool equipment installation and maintenance so that all of the instructions in this manual can be followed exactly. Before installing this product, read and follow all warning notices and instructions that accompany this product. Failure to follow warning notices and instructions may result in property damage, personal injury, or death.

IMPORTANT SAFETY INSTRUCTIONS PERTAINING TO A RISK OF FIRE, ELECTRIC SHOCK, OR INJURY TO PERSONS READ AND FOLLOW ALL INSTRUCTIONS

When installing and using this equipment, basic safety precautions should always be followed, including the following:

WARNING

RISK OF ELECTRICAL SHOCK OR ELECTROCUTION. This underwater niche must be installed by a licensed or certified electrician in accordance with the National Electrical Code and applicable local codes and ordinances. Improper installation will create an electrical hazard, which could result in death or serious injury to pool or spa users, installers, or others due to electrical shock, and may also cause damage to property. Read and follow the specific instructions below.

WARNING

Before installing this underwater niche, read and follow all warning notices and instructions accompanying this niche. Failure to follow safety warnings and instructions can result in severe injury, death, or property damage. Call (800) 822-7933 or visit our website www.zodiacpoolsystems.com for additional free copies of these instructions.



ATTENTION INSTALLER: This manual contains important information about the installation and safe use of this product. This information should be given to the owner/operator of this equipment.

NOTICE

The Jandy Pool and Spa niches are intended for installation in fresh water and salt water swimming pools and spas. It is important to ensure that the lights in which the niches are installed are intended for their appropriate application, either fresh water or salt water.

Jandy Compatible Light Fixture Part Numbers

Use the large niche (PLNICVFLRG) with the following Jandy Lights:

P/N JPL120XXX
 P/N JPL12XXX
 P/N CPHVXXXXXXXXXX
 P/N CPLVXXXXXXXXXX
 P/N WPHVXXXXXXXXXX
 P/N WPLVXXXXXXXXXX

SAVE THESE INSTRUCTIONS

This document gives instructions for installing the Jandy Niche for fiberglass and vinyl pool installations. The instructions must be followed exactly. Read through the instructions completely before starting the procedure.

The Jandy Niche is designed to be installed in the pool walls.

1. Installation During New Construction

Ensure that the pool or spa meets the requirements of the current National Electrical Code and all local codes and ordinances. A licensed or certified electrician must install the electrical system to meet or exceed those requirements before the Niche (fixture housing) is installed. Some of the requirements of the National Electrical Code, which the pool and spa electrical systems must meet, are as follows:

- The lighting circuit must have a Ground Fault Circuit Interrupter (GFCI) for 120 volt models, and must have an appropriately rated circuit breaker.
- The Junction Box (or, for 12 volt models, the low voltage transformer) must be located at least eight (8) inches above water level, at least four (4) inches above ground level, and at least four (4) feet from the edge of the pool or spa. See Figure 1.
- The light fixture and all metal items within five (5) feet of the pool or spa must be properly electrically bonded to a reliable point of grounding.
- The wet niche must be properly installed so that

the top edge of the underwater light's lens is at least 18 inches below (not more than 48 inches below in Canada) the surface of the water in the pool or spa. See Figure 1.

- The wet niche must be properly electrically bonded and grounded via the No. 8 AWG ground connector located at the rear of the niche. See Figure 1.

NOTE: The pool or spa electrical system can be verified with a Pool and Spa Electrical Qualification Test kit. The test kit is available from local distribution. The electrical system inspection using this kit must be performed by trained and certified personnel.

2. Installation Instructions for Fiberglass Pools

- Locate a position for the installation of the niche and light fixture so that the top of the lens must be a minimum of 18 inches below normal water level.
- Drill and cut out a hole in the wall panel (11-3/8 inches minimum to 11-1/2 inches maximum diameter) in the desired location on pool wall.
- Insert the niche body into the cut hole from the inside of pool.
- Assemble locking clamp onto the back of the niche body from the outside of pool. See Figure 2. Be sure to orient the niche so that the 'TOP' marking of the niche is in the 12 o'clock position, then use the eight (8) 1/4-15 self-tapping pan head

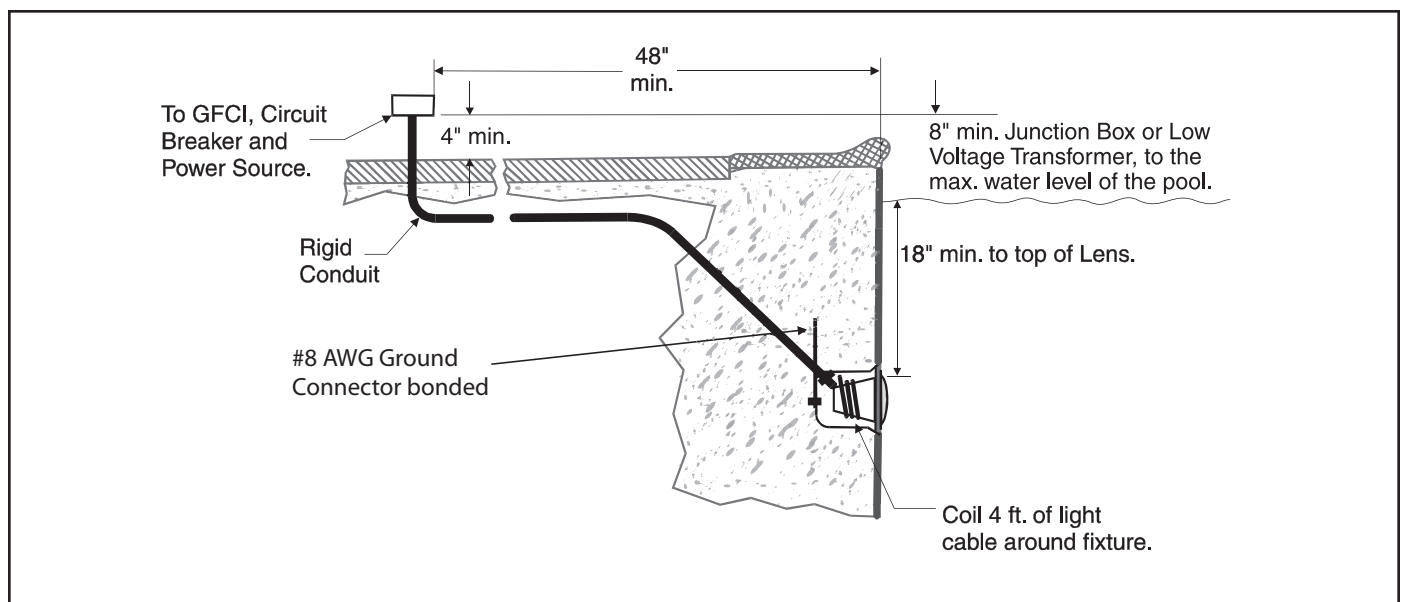


Figure 1. Pool Niche Installation

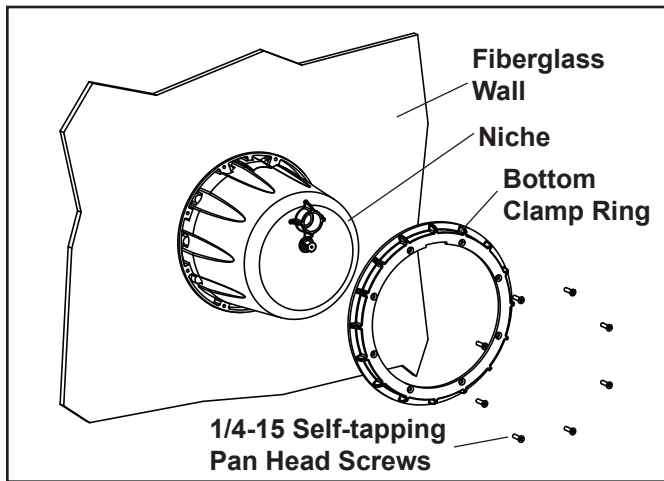


Figure 2. Rear Locking Ring Installation

screws provided to secure in place. Torque screws in a cross pattern to approximately 25 in-lbs.

NOTE: Do not torque screws with a motorized screwdriver.

- e. Attach conduit to the back of niche using the proper PVC/CPVC primer and glue. A one (1) inch PVC 45 degrees sweep elbow is included with the niche to direct the conduit pipe upwards toward the junction box. (A $\frac{3}{4}$ inch reducer is also included with the niche to permit the use of $\frac{3}{4}$ inch conduit pipe). See Figure 3.

NOTE: Make sure to follow the primer and glue manufacturer's instructions for the preparation procedures and curing times.

- f. Connect #8 AWG bonding wire from rebar to rear bonding lug of niche (outside of the niche).
- g. If non metallic conduit is used, a #8 AWG bonding wire is required to run through conduit from the junction box to the bonding/grounding lug inside of niche.

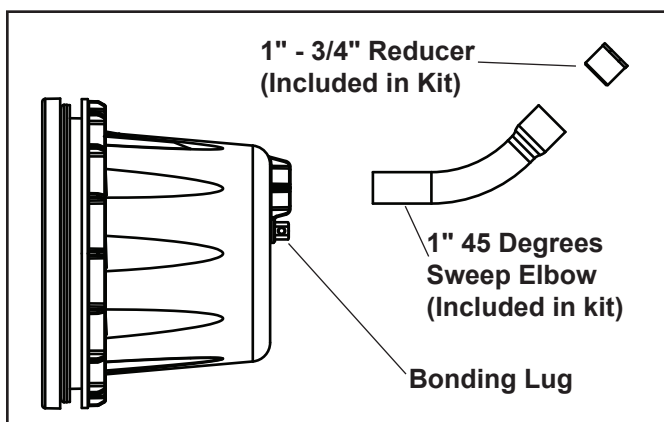


Figure 3. Plastic Niche Installation

- h. Assemble face ring onto niche. Be sure to orient the face ring with the niche so that the locating tab cutout of face ring is in the six o'clock position. Install the ten (10) $\frac{1}{4}$ -15 self-tapping flat head screws provided to secure in place. Torque screws in a cross pattern to approximately 25 in-lbs.

NOTE: Do not torque screws with a motorized screwdriver.

- i. A one (1) inch NPT plug is provided with the niche for pressure testing of conduit line before installation of light fixture.

3. Installation Instructions for Vinyl Pools

- a. Place Plastic Niche in desired location on side of pool wall.

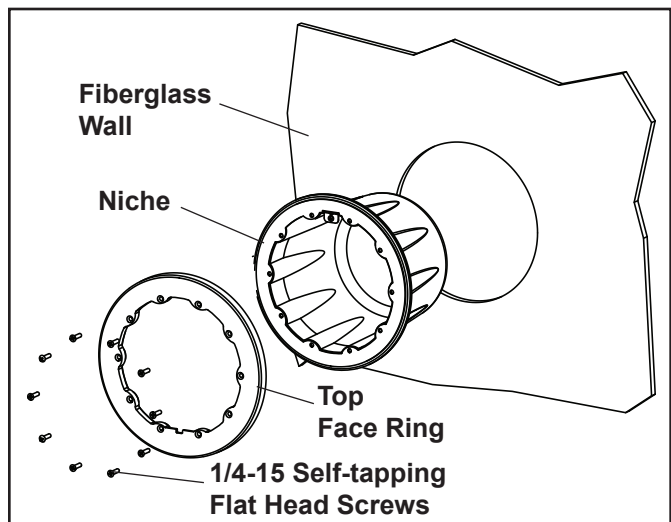


Figure 4. Front Face Ring Installation

- b. Smooth the vinyl over the niche.

NOTE: Install liner per pool manufacturers instructions and fill pool until just below the level of the niche, in order to stretch the liner.

- c. Line up the face ring with the niche. Be sure to orient the niche so that the 'TOP' marking of the niche is in the 12 o'clock position and secure the face ring to the niche using using ten (10) $\frac{1}{4}$ -15 self-tapping flat head screws. Torque screws in a cross pattern to approximately 25 in-lbs. See Figure 5.

NOTE: Do not torque screws with a motorized screwdriver.

- d. Cut out the liner along the inside of the face ring.

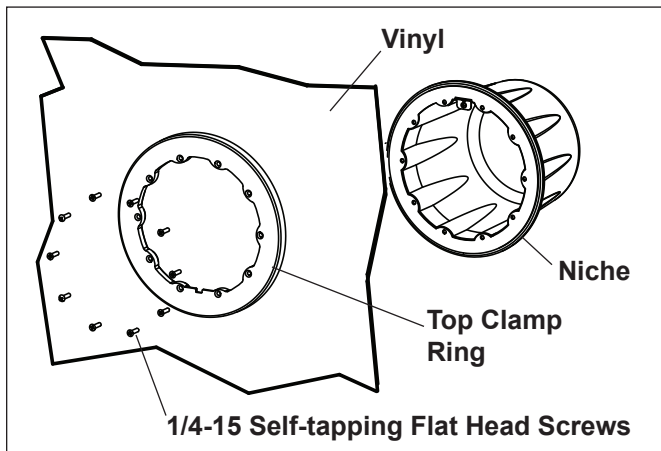


Figure 5. Vinyl Pool Installation

- e. Attach conduit to the back of niche using the proper PVC/CPVC primer and glue. A one (1) inch PVC 45 degrees sweep elbow is included with the niche to direct the conduit pipe upwards toward the junction box. (A $\frac{3}{4}$ inch reducer is also included with the niche to permit the use of $\frac{3}{4}$ inch conduit pipe). See Figure 3.

NOTE: Make sure to follow the primer and glue manufacturer's instructions for the preparation procedures and curing times.

- f. Connect #8 AWG bonding wire from rebar to rear bonding lug of niche (outside of the niche).
- g. If non metallic conduit is used, a #8 AWG bonding wire is required to run through conduit from the junction box to the bonding/grounding lug inside of niche.

4. Light Installation

A $1\frac{3}{4}$ " long pilot screw has been provided with the niche to be used with Jandy light models only. When installing a Jandy light, replace the existing pilot screw with the longer pilot screw and retaining ring. Refer to Figure 6.

⚠ WARNING

Use only the special pilot screw provided with this underwater light housing with Jandy Lights. This screw mounts and electrically grounds the mounting ring to the wet niche. Failure to use the screw provided could create an electrical hazard, which could result in death or serious injury to pool or spa users, installers or others due to electrical shock.

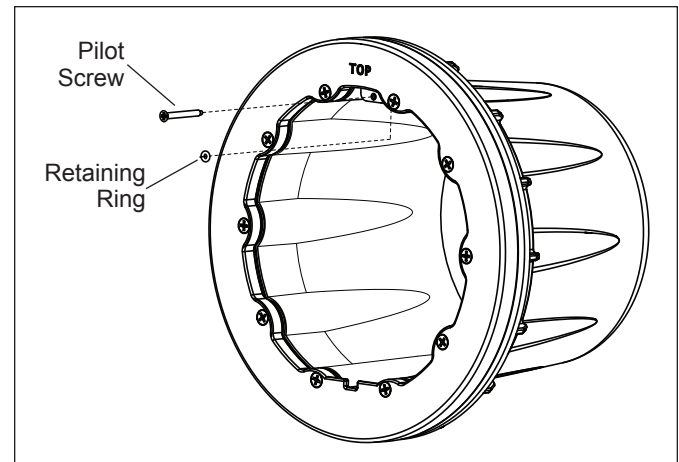


Figure 6. Niche Pilot Screw Replacement for Jandy Light Installation

5. Part Lists

The Parts Lists and Exploded View are shown on the next page.

Table 1. Parts List

<u>Item No.</u>	<u>Part Number</u>	<u>Description</u>	<u>Qty.</u>
1	R0461200	Niche Misc, Kit, Vinyl/Fiberglass, Pool 10-24 Screws (Grounding Lug) 1/4-15 X 1 1/8" Flat Head Screws (Top Clamp) 1/4-15 X 1 1/8" Pan Head Screws (Bottom Clamp) 1" Threaded Plug 1" 45° Sweep Elbow 1" to 3/4" Reducer	2 10 8 1 1 1
2	R0461300	Niche Top Clamp Kit, Vinyl, Pool Top Clamp Gasket, Top Clamp 1/4-15 X 1 1/8" Flat Head Screws (Top Clamp)	1 1 10
3	R0461400	Niche Bottom Clamp Kit, Vinyl, Pool Bottom Clamp 1/4-15 X 1 1/8" Pan Head Screws (Bottom Clamp)	1 8

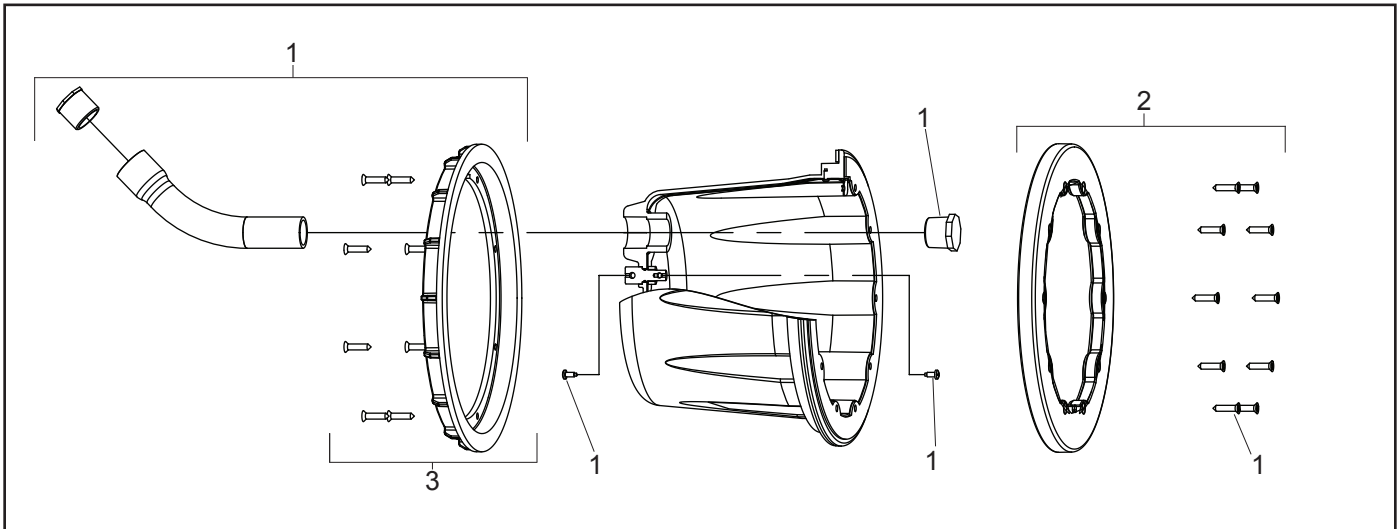


Figure 7. Vinyl/Fiberglass Pool Niche (PLNICVFLRG) Exploded View

NOTES

Zodiac Pool Systems, Inc.

6000 Condor Drive, Moorpark, CA 93021

1.800.822.7933 | www.ZodiacPoolSystems.com

*ZODIAC® is a registered trademark of Zodiac International, S.A.S.U., used under license.
All trademarks referenced herein are the property of their respective owners.*

©2011 Zodiac Pool Systems, Inc. H0284300 Rev C 1105

Jandy®
