

Jandy®

# DROP IN REPLACEMENT GUIDE

GAS HEATERS



# Why JXi™ is the First Choice when Replacing a Heater



## Best Retrofit Option

3-port header for easy plumbing and drop-in replacement of Pentair® MasterTemp®.



## Flexible Installation

Top can be easily removed for increased accessibility and rotated 180 degrees so you never need to rotate headers.



## Easy to Service

Includes a flip up electrical panel for convenient setup and service.



## Keeps Critters Out

The JXi is made with a fully enclosed shell to protect against rodent intrusion and damage.

Heater Shown with Optional VersaFlo Integrated Bypass\*  
\*Not available with ASME models

## Suggested Tools

- Pipe Wrench
- Channel Locks
- Phillips Screwdriver
- PVC Pipe Cutter
- Multimeter
- Monometer
- Impact Drill with Proper Bit
- Wire Cutter/Strippers



NOTE: Please see the installation manual for complete step-by-step instructions.

# Mastertemp to JXi™ Comparisons

## Polymer Header - Copper Tubes

Pentair® MasterTemp®	BTU Input	Jandy JXi	BTU Input
200	199,000	JXi200N/ JXi200P	199,000
250	250,000	JXi260N/ JXi260P	260,000
300	300,000	JXi260N*/ JXi260P*	260,000
400	399,000	JXi400N/ JXi400P	399,000

\* If the current gas supply can handle the extra gas volume a JXi 400 can be used

## Polymer Header - CuproNickel Tubes

Pentair® MasterTemp®	BTU Input	Jandy JXi	BTU Input
250	250,000	Currently N/A	-
400	399,000	JXi400NN/ JXi400PN	399,000

## ASME Brass Header - Copper Tubes

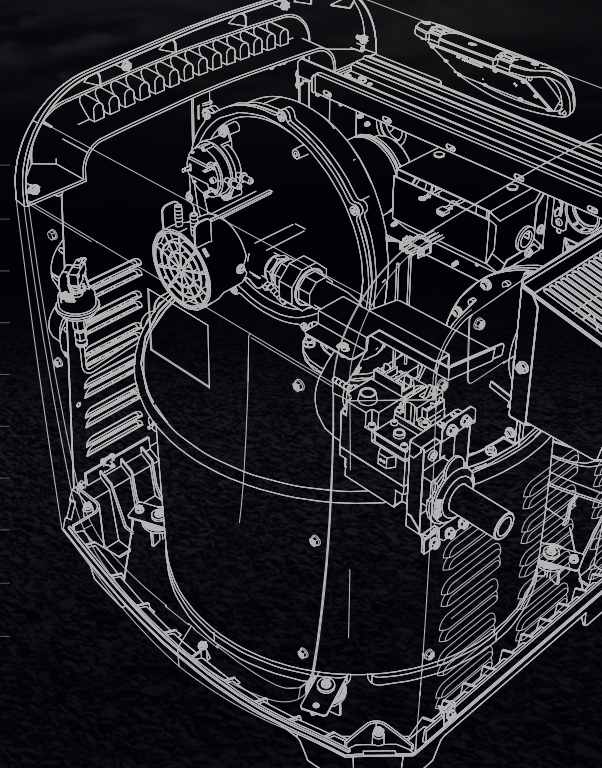
Pentair® MasterTemp®	BTU Input	Jandy JXi	BTU Input
200	199,000	Currently N/A	-
250	250,000	JXi260NC/ JXi260PC	260,000
400	399,000	JXi400NC/ JXi400PC	399,000

## ASME Brass Header - CuproNickel Tubes

Pentair® MasterTemp®	BTU Input	Jandy JXi	BTU Input
200	199,000	Currently N/A	-
250	250,000	JXi260NS/ JXi260PS	260,000
400	399,000	JXi400NS/ JXi400PS	399,000

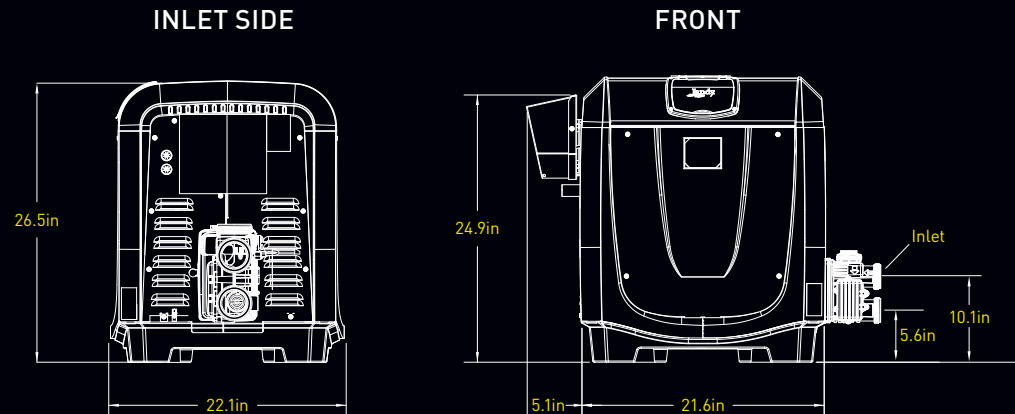
# JXi™ PARTS

Item #	Description
R0457502	Jandy Igniter Kit, JXi
R0456500	Jandy Temperature Sensor Kit
R0589700	Jandy Thermal Regulator Valve
R0458100	Jandy Power Center PCB
R0592300	Jandy High Limit Temp Sensors
R0593400	Jandy Anchor Brackets
R0456900	Jandy Ignition Control Module
R0589500	Jandy Gasket & Seals Kit (Heater manifold)
R0456301	Jandy Transformer, JXi Replacement Kit
R0719500	Jandy JXi Power Interface Board (PIB), GEN2

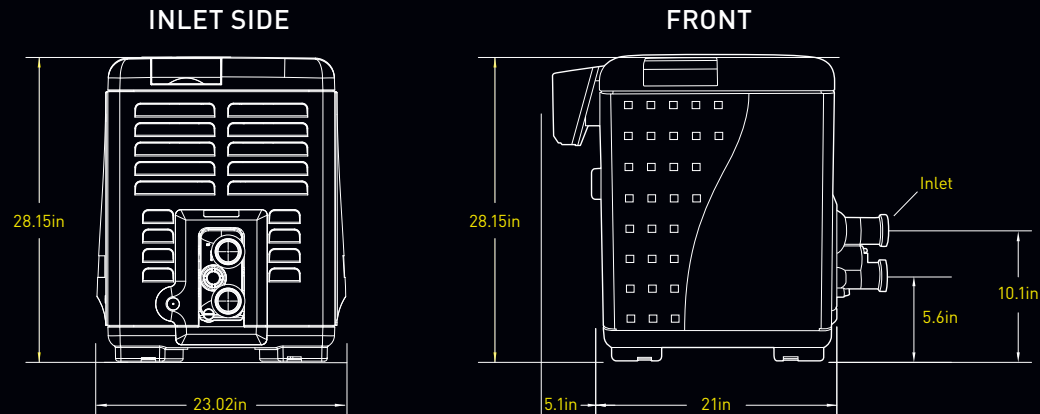


# A Footprint that Fits Right In

## JANDY JXi™ DIMENSIONS



## PENTAIR® MASTERTEMP DIMENSIONS



NOTE: Dimensions are identical on all JXi heater models

## Why Jandy®?

Why settle for sufficient when you can get superior....

With Jandy equipment, you're getting a product that's easy to install in most pool pads, compatible with most existing setups and provides unparalleled performance and efficiency.



### Protecting Your Bottom Line

We've got your back. Our equipment is **NOT** available for purchase on the internet. Only through you.



### Drops In with Ease

Jandy equipment is engineered to easily replace any existing equipment in the pool pad with minimal plumbing adjustments. Jandy is a trade-up, not just a trade out.



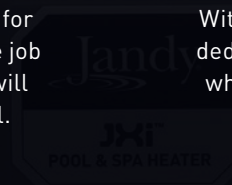
### Built to Last

Our equipment is designed for durability so you can get the job done and can trust that it will perform for the long haul.



### Support You Can Count On

With our superior customer service and dedicated training team available to you when you need it most, you'll never be caught off-guard on-site.



**#DropInAJandy**

©2022 Zodiac Pool Systems LLC. All rights reserved. ZODIAC® is a registered trademark of Zodiac International, S.A.S.U., used under license. All other trademarks are the property of their respective owners. 14160\_SL