

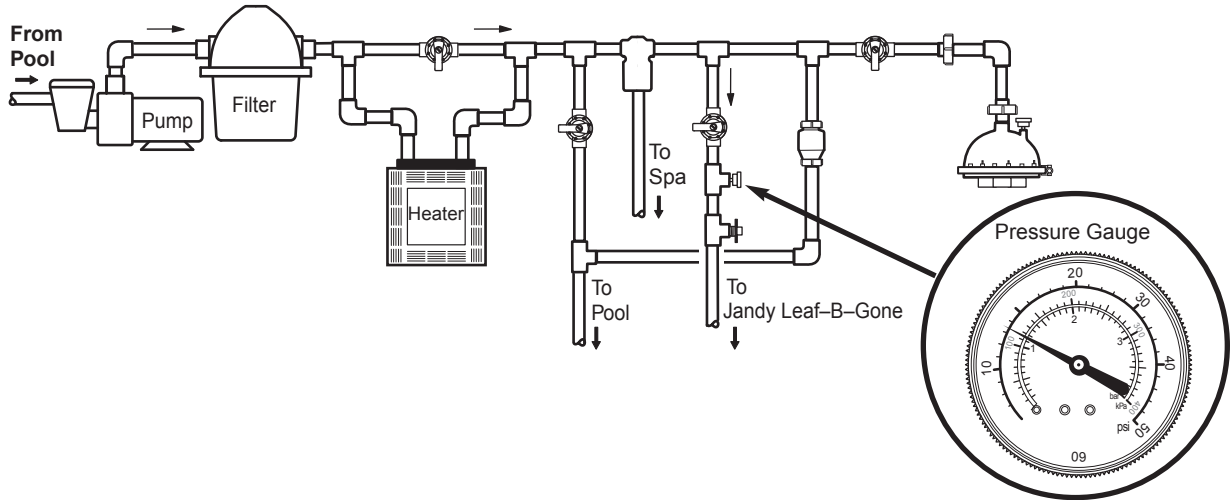
# Jandy® Leaf-B-Gone™ Pressure Gauge Installation Instructions

When plumbing the Jandy Leaf-B-Gone system:

- Install the pressure gauge on the Jandy Leaf-B-Gone supply line between the 2-way valve and the accessible tee.

When construction is complete and the system is started:

- Adjust the valve so that pressure at the gauge **does not exceed 14 PSI.**



ZODIAC POOL SYSTEMS, INC.

2620 Commerce Way, Vista, CA 92081-8483 · 760-599-9600 · 1-800-822-7933 · www.jandy.com

© 2009 Zodiac Pool Systems, Inc. All rights reserved. TL-1333 Rev A 12/09

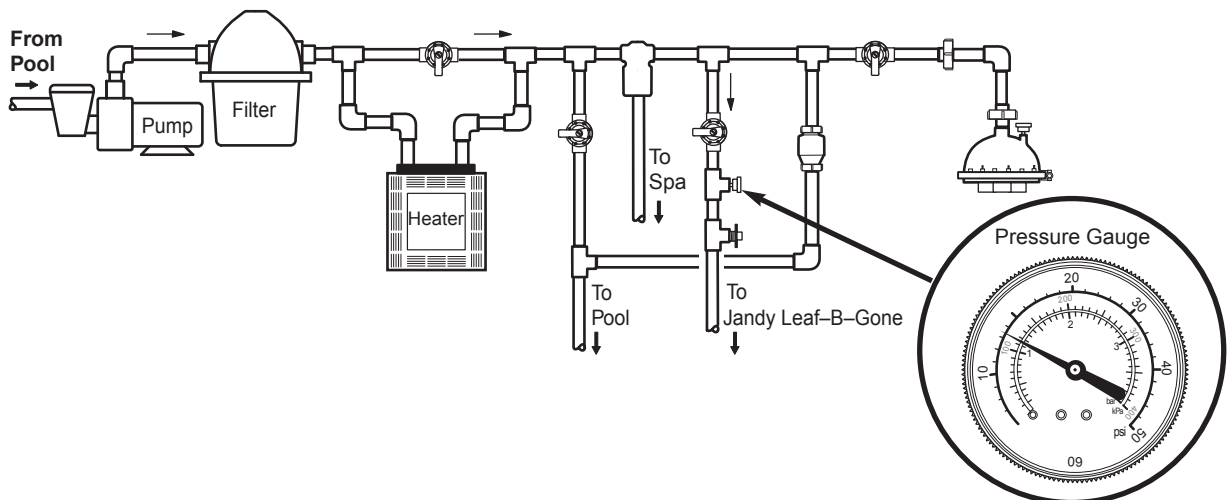
# Jandy® Leaf-B-Gone™ Pressure Gauge Installation Instructions

When plumbing the Jandy Leaf-B-Gone system:

- Install the pressure gauge on the Jandy Leaf-B-Gone supply line between the 2-way valve and the accessible tee.

When construction is complete and the system is started:

- Adjust the valve so that pressure at the gauge **does not exceed 14 PSI.**



ZODIAC POOL SYSTEMS, INC.

2620 Commerce Way, Vista, CA 92081-8483 · 760-599-9600 · 1-800-822-7933 · www.jandy.com

© 2009 Zodiac Pool Systems, Inc. All rights reserved. TL-1333 Rev A 12/09