



# Ultra-Compact and Lightweight Design, Easy to Install



## Fastest Installation

Pro-driven features for the fastest, most customer-friendly installation.

## Ultra-Compact

2' x 2' footprint for small space requirements and maximum installation flexibility.

## Best Retrofit Option

Plumbing flexibility for quick Mastertemp® and Max-E-Therm® replacement that requires no plumbing adjustments.

## Lightweight Design

Weighs less than 126 pounds unpackaged for easy maneuverability and transport.

## Easy to Control

RS485 digital interface is Aqualink®/iAqualink™-compatible for pool and spa automation.

## Energy-Efficient

83% thermal efficiency rating and low-NOx design surpasses strict DOE thermal-efficiency requirements.

## Versa Plumb®-Ready

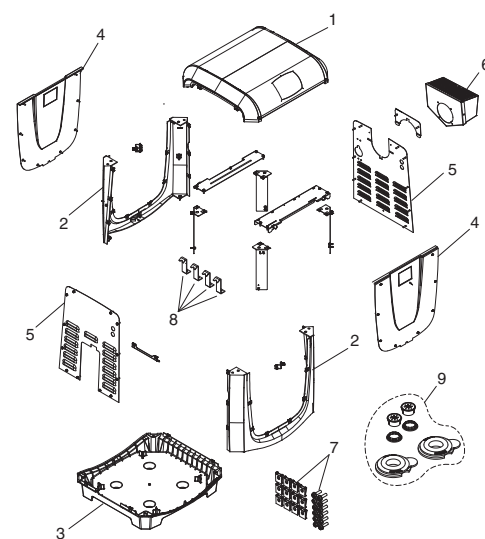
Installation in the VersaPlumb system† reduces plumbing costs and increases energy efficiency.

†Sweep elbow included in all JXi models

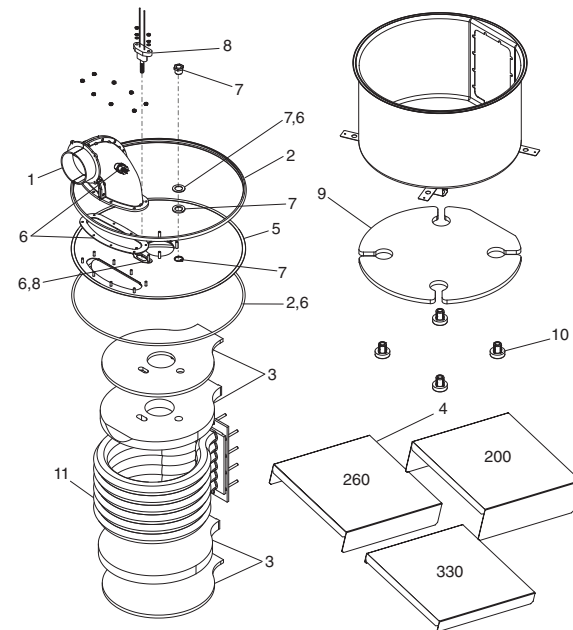
Part No.	Model/Gas Type
JXi200N	200/Natural
JXi200P	200/Propane
JXi260N	260/Natural
JXi260P	260/Propane
JXi400N	400/Natural
JXi400P	400/Propane

## Exploded Parts Diagrams

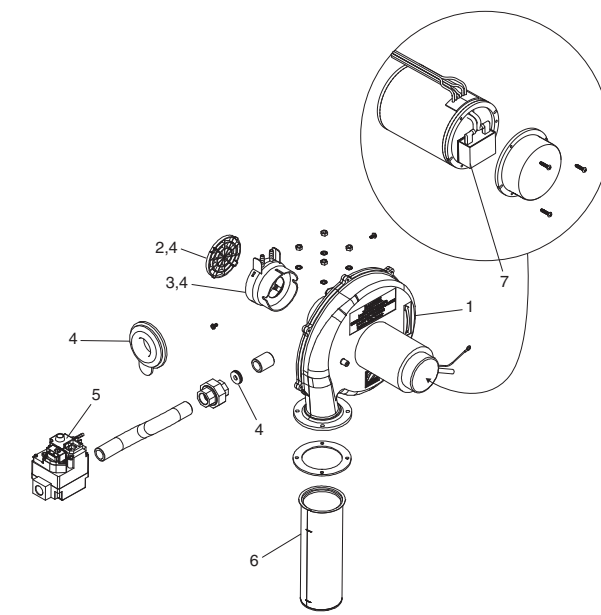
Cabinet Assembly



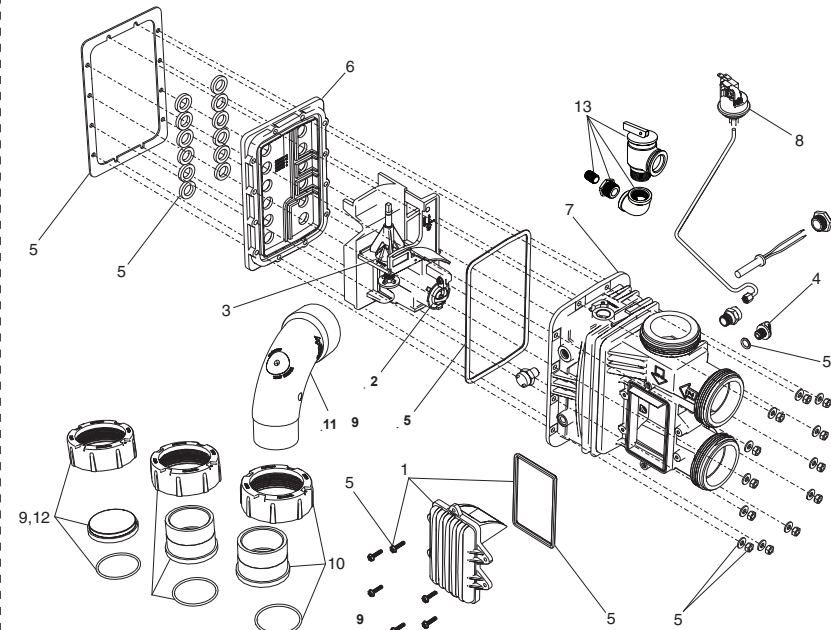
Combustion Chamber Assembly



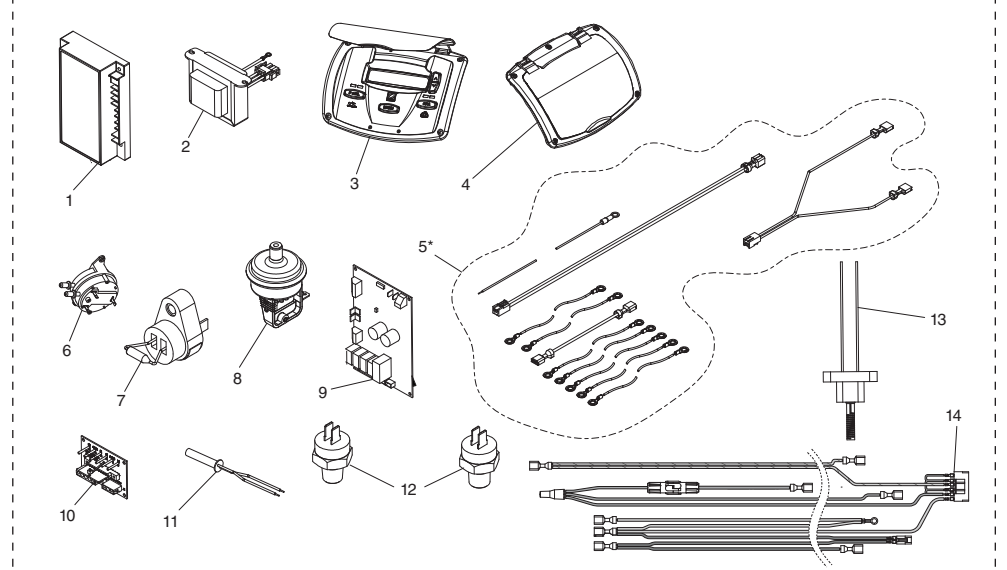
Burner Assembly



Manifold Assembly



Electrical System



\*Items not shown in illustration:  
 • Power interface, controller harness w/bypass  
 • Universal controller main reset, rollout switch harness  
 • User interface, universal controller harness 4

Key No.	Description	Model	Part No.
<b>Cabinet Assembly</b>			
1	Heater Jacket Top Kit (no user interface)	200, 260, 400	R0592400
2	Corner Post Kit, Left/Right (set of 2)	200, 260, 400	R0592500
3	Heater Base Kit	200, 260, 400	R0592600
4	Front or Back Panel Kit	200, 260, 400	R0592700
5	Side Panel Kit (set of 2) Kit	200, 260, 400	R0592900
6	Vent Terminal Housing Kit	200, 260, 400	R0593100
7	Jacket Hardware Kit (speed nuts, screws, jacket clips)	200, 260, 400	R0593300
8	Anchor Brackets Kit (set of 4)	200, 260, 400	R0593400
9	Jacket Hole Plug Kit	200, 260, 400	R0591800
N/S	Complete Replacement Box Packaging Kit	200, 260, 400	R0593600
<b>Combustion Chamber Assembly</b>			
1	Exhaust Elbow Assembly Kit	200, 260, 400	R0590200
2	Band Clamp Kit	200, 260, 400	R0590400
3	Refractory Kit, Internal	200, 260, 400	R0590500

Key No.	Description	Model	Part No.
4	Combustion Chamber Shelf (set of 3: Models 200, 260, 330)	200, 260, 400	R0590700
5	Combustion Chamber Lid Kit	200, 260, 400	R0590800
6	Gasket Kit	200, 260, 400	R0590900
7	Sight Glass Kit	200, 260, 400	R0305400
8	Ignitor Kit	200, 260, 400	R0457502
9	Insulation Kit, External	200, 260, 400	R0591000
10	Isolator Kit (Thermal)	200, 260, 400	R0593200
11	Heat Exchange Assembly	200	R0589402
11	Heat Exchange Assembly	260	R0589403
11	Heat Exchange Assembly	400	R0589405
<b>Burner Assembly</b>			
1	Blower Assembly Kit	200, 260, 400	R0591100
2	Air Intake Grate Kit	200, 260, 400	R0591200
3	Blower Intake Orifice Kit	200N	R0591302
3	Blower Intake Orifice Kit	200P	R0591312
3	Blower Intake Orifice Kit	260N	R0591303
3	Blower Intake Orifice Kit	260P	R0591313

Key No.	Description	Model	Part No.
3	Blower Intake Orifice Kit	400N	R0591305
3	Blower Intake Orifice Kit	400P	R0591315
4	Fuel Orifice Kit	200N	R0591601
4	Fuel Orifice Kit	200P	R0591605
4	Fuel Orifice Kit	260N	R0591602
4	Fuel Orifice Kit	260P	R0591606
4	Fuel Orifice Kit	400N	R0591604
4	Fuel Orifice Kit	400P	R0591608
5	Gas Valve	200, 260, 400	R0591400
6	Burner Kit	200N, 200LP	R0591702
6	Burner Kit	260N, 260LP	R0591703
6	Burner Kit	400N, 400LP	R0591705
7	Capacitor Kit	200, 260, 400	R0614500
<b>Manifold Assembly</b>			
1	Access Door Kit (with o-ring, seal, and screws)	200, 260, 400	R0589600
2	Thermal Regulator Valve Kit (TRV)	200, 260, 400	R0589700
3	Bypass Kit	200, 260, 400	R0589800

Key No.	Description	Model	Part No.
4	Drain Plug Kit	200, 260, 400	R0446000
5	Gasket and Seals Kit	200, 260, 400	R0589500
6	Manifold Backplate Kit	200	R0590002
6	Manifold Backplate Kit	260	R0590003
6	Manifold Backplate Kit	400	R0590005
7	Manifold, 3-Port (no backplate included; must order separately)	200, 260, 400	R0590100
11	Sweep Elbow Aqualink Temp Sensor	200, 260, 400	SEAQL1001
12	Drain Cap Assembly Kit	200, 260, 400	R0523000
13	Pressure Relief Valve (PRV) Install Kit	200, 260, 400	R0336101
<b>Electrical System Spare Parts</b>			
1	Ignition Control Kit	200, 260, 400	R0456900

Key No.	Description	Model	Part No.
2	Transformer Kit	200, 260, 400	R0456300
3	User Interface Kit	200, 260, 400	R0591901
4	User Interface Lid Kit	200, 260, 400	R0592000
5	Wiring Harness Kit	200, 260, 400	R0592100
6	Air Pressure Switch Kit	200, 260, 400	R0456400
7	Vent Limit Switch Kit	200, 260, 400	R0524300
8	Water Pressure Switch Kit	200, 260, 400	R0013200
9	Universal Controller PCB Kit	200, 260, 400	R0458200
10	Power Distribution PCB Kit	200, 260, 400	R0458100
11	Temperature Sensor Kit	200, 260, 400	R0456500
12	High-Limit Temperature Sensors Kit	200, 260, 400	R0592300
13	Ignitor Kit	200, 260, 400	R0457502
14	Power Interface Harness	200, 260, 400	R0457700

N/S-Not Shown †Goody bag kit includes the installation and operation manual and the universal controller quick guide.

©2014 Zodiac Pool Systems, Inc. ZODIAC® is a registered trademark of Zodiac International, S.A.S.U., used under license. All other trademarks referenced herein are the property of their respective owners. SA6362 Rev A 1114