

Temperature Control Box Replacement Kit

FOR YOUR SAFETY: This product must be installed and serviced by a professional service technician, qualified in pool/spa heater installation and maintenance. Improper installation and/or operation could create carbon monoxide gas in flue gases which could cause serious injury, property damage, or death. Improper installation and/or operation will void the warranty.

These instructions are to be used with the following Laars Replacement Kits:

R0057900-- Temperature Control Box, Beige

R0349100-- Temperature Control Box, Black

⚠ WARNING

If the information in these instructions is not followed exactly, a fire or explosion may result causing property damage, personal injury or death.

Due to the unavailability of the original factory installed thermostat, a new thermostat control with a different configuration has been installed in heaters after March, 2001. A new bracket has been designed to accommodate the new thermostat configuration.

If you have purchased a heater manufactured after March, 2001 or replaced the thermostat in your heater after March of 2001 then your heater should have a thermostat, bracket and control box with the new configuration.

This document gives instructions for replacing the temperature control box on all of the following models of Laars pool/spa heaters.

XL-2 models DP250 and DP350
 XL-3 models DP2000 and DP3000
 Mark V models DM and DR

The instructions for models within these product lines are the same. Depending upon the type of thermostat in your heater, you may not use all of the parts in this kit. See figure 1. to identify the style of thermostat currently in your heater. Please read through the instructions completely before starting the procedure.

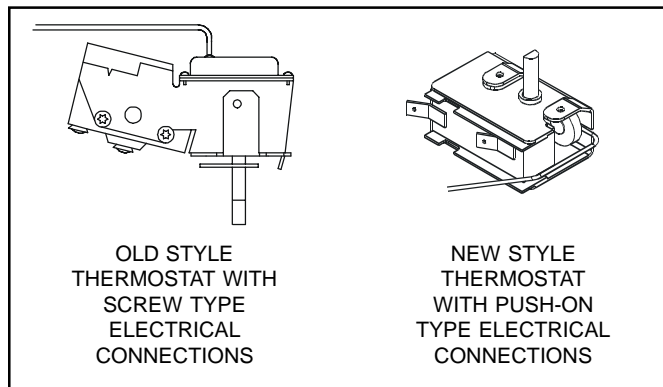


Figure 1. Thermostat Style Identification

XL-2 and XL-3 Oil Burning Heaters and Mark V Gas Pool Heaters

A. Removal of Temperature Control Box

Perform the following steps to remove the temperature control box from your heater.

1. Remove the thermostat knob.
2. Remove the top cover from the temperature control box located on the inlet/outlet header.
3. Remove the screws that secure the temperature control box to the inlet/outlet header. Pull the box away from the heater.
4. Remove the thermostat sensor from the header.
5. Remove the back panel of the box.
6. Remove the thermostat from the bracket on the inside of the box. Thread the thermostat sensor through the hole in the box to free the box from the thermostat assembly.

B. Installation of New Temperature Control Box

Perform the following steps to install the new temperature control box on your heater.

NOTE: If you are replacing the temperature control box for a new style thermostat (manufactured or replaced after March, 2001), start with step 1. If you are replacing the temperature control box for an old style thermostat (manufactured or replaced prior to March, 2001), skip steps 1 and 2.

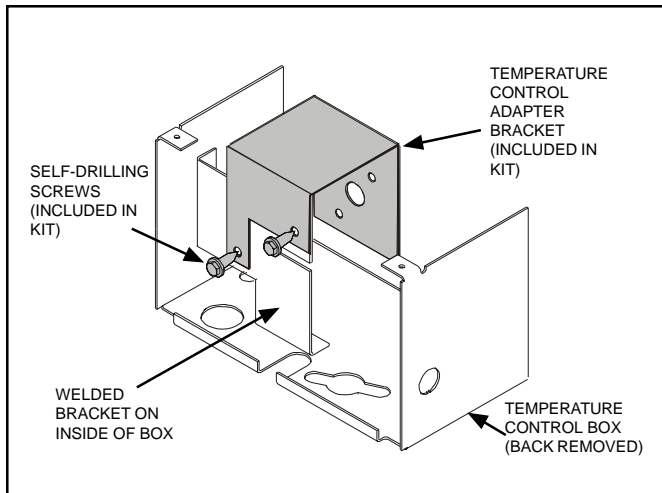


Figure 2. XL-2/XL-3 and Mark V Temperature Control Bracket Assembly for new style thermostat (viewed from rear of box with back plate removed).

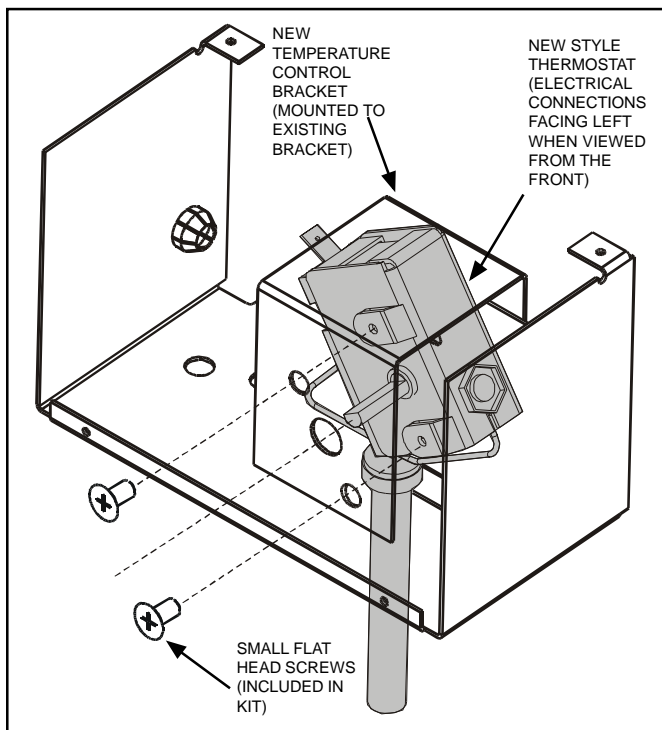


Figure 3. XL-2/XL-3 Temperature Control Mounting to Bracket Assembly (viewed from front of box).

1. Mount the temperature control adapter bracket to the bracket that is welded to the inside of box. Align the holes on the new bracket to the holes on the welded bracket and secure with the two self drilling screws (provided in the kit). (See Fig. 2.)
2. Using the two small cross flat head screws mount the thermostat to the bracket. Be sure that the electrical connections on the thermostat are facing toward the left when viewing the bracket from the front. (See Fig. 3)

If you are replacing the temperature control box for a new style thermostat (manufactured or replaced after March, 2001), skip step 3.

3. Use the small slotted round head screws provided in the kit to mount the thermostat to the bracket that is welded to the inside of the new temperature control box. (See Figure 4).

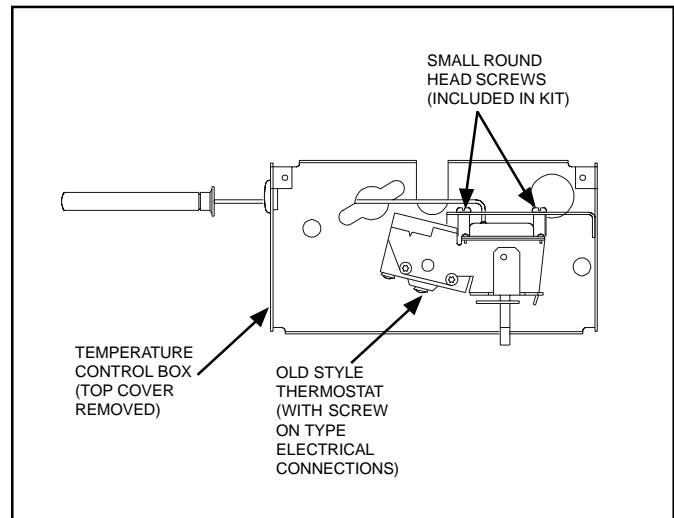


Figure 4. Old Style Thermostat Mounting to Welded Bracket Assembly (viewed from top of box).

4. Feed the thermostat sensor through the hole in the bottom of the box and insert it into the inlet/outlet header.
5. Install the new back panel on the temperature control box.
6. Mount the box assembly onto the inlet/outlet header using the screws provided in the kit.
7. Adhere the label to the new top cover panel and install the new top cover panel on the temperature control box.
8. Assemble the knob to the temperature control box assembly.

Parts List

Description	Quantity
Thermostat Box Cover	1
Thermostat Box Base Weldment	1
Thermostat Box Rear Panel	1
Temperature Control Adapter Bracket	1
Temperature Control Knob	1
Temperature Control Label	1
Cross Flathead Screws	2
To mount new style thermostat to adapter bracket	
Cross round head Screws	2
To mount old style thermostat to welded bracket	
Hex Head Screws (large self drilling)	2
To mount adapter bracket to welded bracket	
Hex Head Screws (small self drilling)	4
To mount cover to box	
Hex Head Screw (5/8" long)	1
to mount box to header at sensor	
Hex Head Screw (1/2" long)	1
to mount box to header	
Instructions	1

H0243100-



Laars
HEATERS

*6000 Condor Drive, Moorpark, CA, USA 93021 • 707.776.8200 FAX 707.763.7785
480 S. Service Road West, Oakville, Ontario, Canada L6K 2H4 • 905.844.8233 FAX 905.844.2635

waterpik
Technologies, Inc.