



**POOL HEATER
STACK FRAME**

Submittal Sheet

POOL HEATER STACK FRAME SUBMITTAL

Job Name: _____

Model No. _____

Location: _____

Dimensions: A= _____ B= _____ C= _____

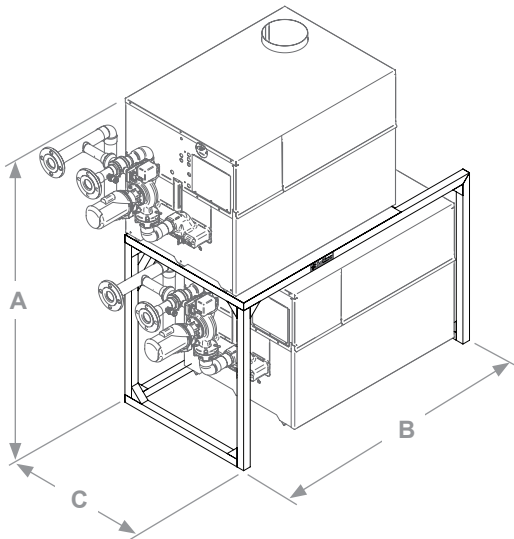
Engineer: _____

Equipment Tag(s): _____

Agent/Wholesaler: _____

Contractor: _____

NOTES:



**Pool Heaters
(Models 500-750)**

	MODEL NO.	PART NO.	A*	B**	C	Wt. (lbs.)
<input type="radio"/>	CXI500	100163348	73-1/2"	59"	24-1/2"	88
<input type="radio"/>	CXI650	100163349	73-1/2"	80"	24-1/2"	150
<input type="radio"/>	CXI750	100163349	73-1/2"	80"	24-1/2"	150

Note Heater height is 31-1/2" (0500-0750)

* To vent connection **Allow space for plumbing connections



Zodiac Pool Systems LLC
2882 Whiptail Loop East # 100, Carlsbad CA 92010
1.800.822.7933 | www.Jandy.com