

JXiQ™ and JXi™ Models & Parts



Jandy® JXiQ™ Smart Heater

- Connect with Bluetooth® to get full, real-time diagnostic capabilities displayed on the Fluidra Pro App
- Ensures there's enough gas pressure to safely ignite
- Measures temperature rise between the inlet and outlet to optimize flow and avoid heat exchanger failures

Part No.	Description
Copper Heat Exchanger Tubes with Polymer Headers and VersaFlo	
JXiQ200NK	Jandy JXiQ Pool Heater 200 Natural Gas with VersaFlo
JXiQ200PK	Jandy JXiQ Pool Heater 200 Propane Gas with VersaFlo
JXiQ260NK	Jandy JXiQ Pool Heater 260 Natural Gas with VersaFlo
JXiQ260PK	Jandy JXiQ Pool Heater 260 Propane Gas with VersaFlo
JXiQ400NK	Jandy JXiQ Pool Heater 400 Natural Gas with VersaFlo
JXiQ400PK	Jandy JXiQ Pool Heater 400 Propane Gas with VersaFlo



Large Screen Control Panel



Digital Controller

Jandy® JXi™ Standard Heater

Part No.	Description
Copper Heat Exchanger Tubes with Polymer Headers	
JXi200N	Jandy JXi Pool Heater 200 Natural Gas
JXi200P	Jandy JXi Pool Heater 200 Propane Gas
JXi260N	Jandy JXi Pool Heater 260 Natural Gas
JXi260P	Jandy JXi Pool Heater 260 Propane Gas
JXi400N	Jandy JXi Pool Heater 400 Natural Gas
JXi400P	Jandy JXi Pool Heater 400 Propane Gas
Cupronickel Heat Exchanger Tubes with Polymer Headers	
JXi400NN	Jandy JXi Pool Heater 400 Natural Gas CuNi
JXi400PN	Jandy JXi Pool Heater 400 Propane Gas CuNi

JXiQ™/JXi™ Accessories



JXiQ/JXi
Sacrificial Anode

JXiQ/JXi
Air Intake Kit

JXiQ/JXi Control Panel
Lock Box

Part No.	Description
R0965100	JXiQ/JXi Sacrificial Anode
R0731100	JXiQ/JXi 4" Vent Adapter
R0724600	JXiQ/JXi Air Intake Kit w/ 3" Adapter
JXIGUARD	JXiQ/JXi Control Panel Lock Box

Optional Testing Equipment

Part No.	Description
R0010400	Gas Pressure Test Kit (manometer)
R0336000	Temp Rise Measurement, Replacement Kit (Can be used on all heaters — JXi™, LXi, Legacy™, LX™/LT™, Lite2™, etc.)

Pressure Relief Valves

Part No.	Description	Model
R0040400	Pressure Relief Valve Kit, 75 psi, Cast Iron/Bronze Headers	All
R0336100	Pressure Relief Valve Kit, 75 psi, Polymer Headers, LX/LT, LXi, and Legacy (Also works with cast iron/bronze headers)	All
R0336101	Pressure Relief Valve Kit JXi	All
R0336102	Pressure Relief Valve Kit, JXi ASME® Compliant, 75 psi	JXi ASME Compliant

PROFESSIONAL INSTALLATION REQUIRED

Jandy heaters must be installed and serviced by a professional and qualified pool/spa technician. Improper installation and/or operation may void the warranty. See owner's/user's manual.

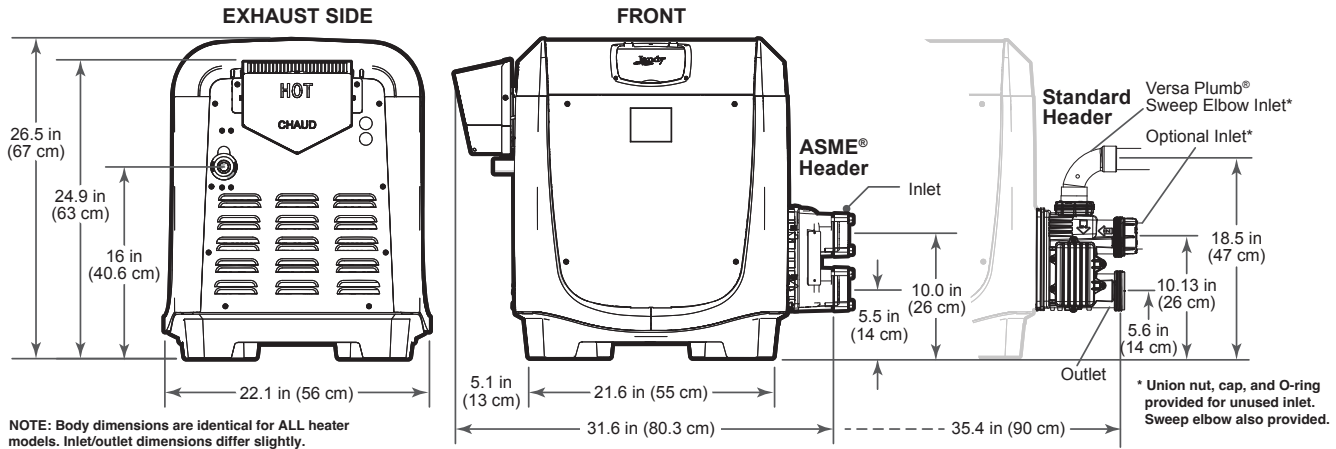
GAS HEATERS

Heater Model Numbers

JXi™					
Model	Size	Fuel Type	Heat Exchanger and Headers	Altitude Ratings	
JXiQ	200	N = Natural Gas	Blank = Copper Heat Exchanger; Polymer Header	JXiQ and JXi heaters are CSA certified for elevations of up to 4,500 ft. (1,372 m.) above sea level. BTU output is reduced about 4% per 1,000 ft. (305 m) over 4,500 ft. (1,372 m.). In general, efficiency at high elevations is equal to or better than at sea level.	
JXi	260	P = Propane Gas	N = Cupronickel Heat Exchanger; Polymer Header		
	400		K = Copper Heat Exchanger; Polymer Header with VersaFlo™ Factory Installed C = Copper Heat Exchanger, Bronze Header (ASME® Compliant)* S = Cupronickel Heat Exchanger; Bronze Header (ASME Compliant)		

*ASME = Conforms to American Society of Mechanical Engineers certification.

Specifications and Dimensions for JXiQ™ and JXi™ Series Heaters



Model	Vent Diameter (Category I)		Vent Diameter (Category III)		Firing Rate	
	in.	cm	in.	cm	BTU/HR	kcal/HR
200	6	15	4	10	200,000	50
260	7	18	4	10	260,000	66
400	8	20	4	10	399,000	101

Natural Gas Pipe Size Requirements

Maximum Equivalent Pipe Length (Sch 40 Metallic Pipe)								
Natural Gas 1000BTU/FT ³ — 0.60 Specific Gravity @ 0.5 in. W.C. Pressure Drop								
Propane Gas 2500BTU/FT ³ — 1.53 Specific Gravity @ 0.5 in. W.C. Pressure Drop								
	3/4"		1"		1-1/4"		1-1/2"	
	NAT	LP	NAT	LP	NAT	LP	NAT	LP
JXi200	25 ft	60 ft	90 ft	215 ft	360 ft		445 ft	
JXi260	15 ft	35 ft	50 ft	125 ft	210 ft	480 ft	445 ft	
JXi400	*	15 ft	20 ft	55 ft	95 ft	225 ft	215 ft	480 ft

*A 3/4" gas line can be used for up to 5 feet maximum length from the gas valve in addition to the sediment trap.

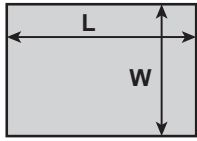
NOTE:

- Check supply pressure and local code requirements before proceeding with installation.
- Consider pipe fittings when determining gas pipe sizing. For every elbow used add three (3) feet to straight pipe length.
- Table shows the minimum supply gas pipe size required. Larger pipe size can be used if required by local code or if desired.
- It is critical that the incoming gas supply pressure at the heater is within the maximum and minimum pressure requirements. If the range of acceptable supply pressure is not provided, the gas supply system to the heater must be modified to meet pressure requirements.

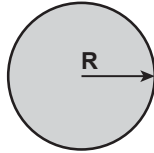
Heater Selection Guide

POOL SIZING

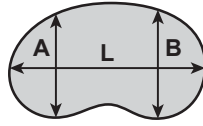
1. Calculate the pool's surface area in square feet



Area = L × W



Area = R × R × 3.14



Area = (A + B) × L × 0.45

2. Calculate the design temperature difference. (Round up to 5 degree increment)

(Typical Water Temp) – (Average Outdoor Temp while using heater)

3. Locate the temperature difference in Pool Heater chart below

4. Move right to find the surface area that is equal to or slightly greater than the area calculated in step 1

5. Move up to find the recommended heater size based on pool size and temperature difference

SPA SIZING

1. Calculate the spa capacity in U.S. Gallons
(surface area) × (average depth) × 7.5

2. Locate the spa size in the spa heater chart below that is equal to or slightly greater than the capacity calculated in step 1

3. Move right to find the time required to raise the spa water 30°F

4. Move up to find the required heater size for the chosen time

NOTES:

The chart below can be adjusted for other temperature rises. For example, if you desire a 15°F increase in temperature, simply divide the times in the chart below by 2.

Heat losses to air and/or heat absorbed by spa walls or other objects will affect and add to the heat-up times listed in the chart below.

Spa sizing times in the chart below are based on insulated and covered spa. Always cover your spa when not in use to minimize heat loss and evaporation.

Heater Sizing Charts

Pool Sizing

Model	JXi™						Hi-E2®	
	200		260		400		350	
	0 Wind	3.5 MPH	0 Wind	3.5 MPH	0 Wind	3.5 MPH	0 Wind	3.5 MPH
Temp Difference	Maximum Surface Area per Heater (Assumes 4.5' Avg Depth and 1°F per hour temp rise)							
15°F	580	480	760	630	1,160	970	1,160	970
20°F	560	440	730	580	1,120	880	1,120	880
25°F	530	400	690	530	1,060	800	1,060	800
30°F	490	360	640	480	990	730	990	730
35°F	450	330	600	430	910	660	910	660

Temp Difference is the difference between the water and air temperature (Water Temp - Air Temp)

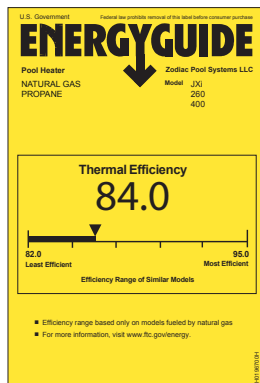
Spa Sizing

Model	JXi			Hi-E2
	200	260	400	350
Spa Size	Time to Raise Temp 30°F (minutes)			
200 Gallons	18	14	9	9
400 Gallons	35	28	18	18
600 Gallons	53	41	27	27
800 Gallons	71	55	35	35
1,000 Gallons	89	70	44	44

Energy Guide Labels

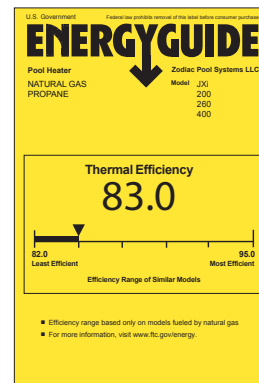
JXiQ™ and JXi™ 84%

JXiQ400NK, JXi400N, JXi400P, JXi260N, JXi260P, JXiQ400PK, JXiQ260NK, JXiQ260PK



JXiQ and JXi 83%

JXi400NN, JXi400PN, JXi200N, JXi200P, JXiQ200NK, JXiQ200PK

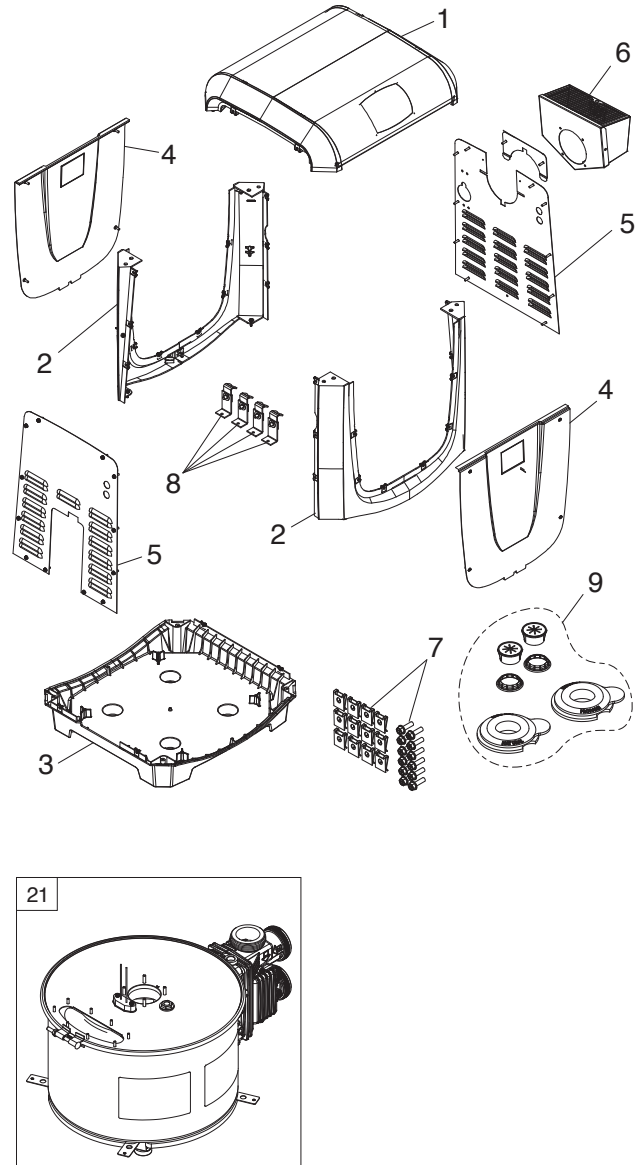
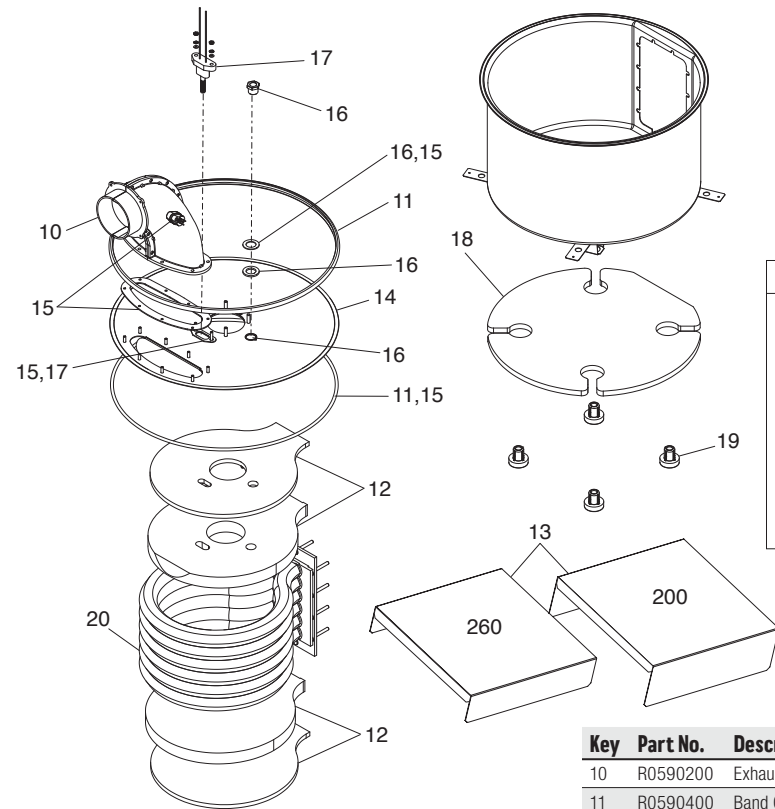


GAS HEATERS

JXi™ Heater (Mfg. 2014–Present)

Key	Part No.	Description	Model
1	R0592400	Heater Jacket Top (No User Interface)	200, 260, 400
2	R0592500	Corner Posts, Heater Jacket, 4/PK	200, 260, 400
3	R0592600	Heater Base Replacement Kit	200, 260, 400
4	R0592700	Front/Back Panel, Heater Jacket	200, 260, 400
5	R0592900	Side Panel Kit, 2/PK	200, 260, 400
6	R0593100	Vent Terminal Housing Kit	200, 260, 400
N/S	R0593200	Brackets and Isolator Kit	200, 260, 400
7	R0593300	Jacket Hardware Kit (Nuts, Screws & Clips)	200, 260, 400
8	R0593400	Anchor Brackets	200, 260, 400
9	R0591800	Gas Inlet and Electric Hole Plug Kit	200, 260, 400

N/S-Not Shown

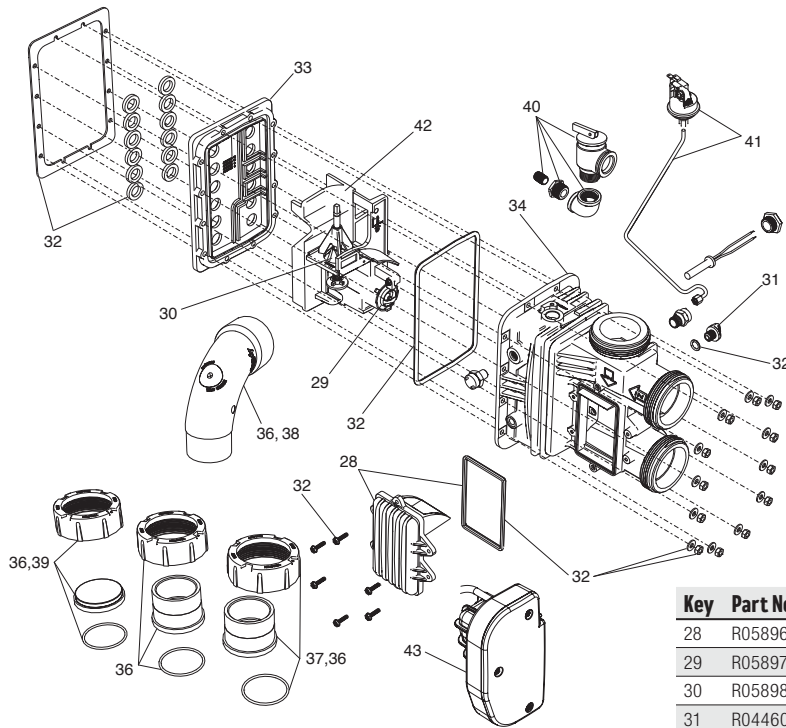
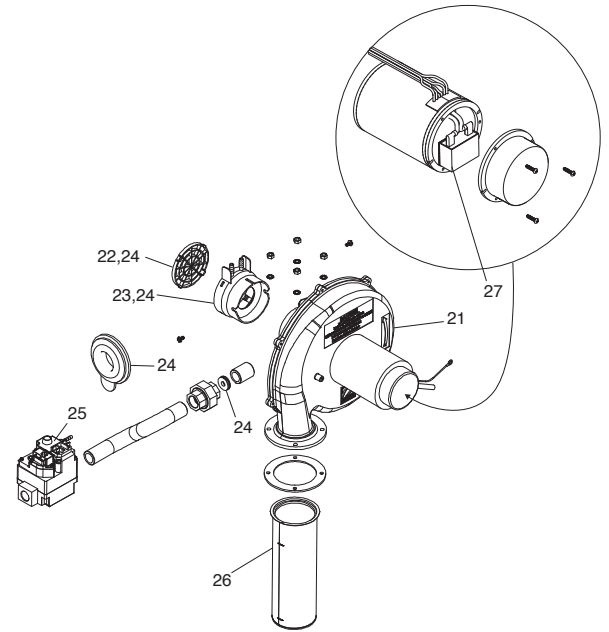


Key	Part No.	Description	Model
10	R0590200	Exhaust Elbow Assembly	200, 260, 400
11	R0590400	Band Clamp Replacement Kit	200, 260, 400
12	R0590500	Refractory Replacement Kit, Internal	200, 260, 400
13	R0590700	Combustion Chamber Shelf Kit	200, 260
14	R0590800	Combustion Chamber Lid (Gaskets and O-Rings)	200, 260, 400
15	R0590900	Gasket Kit	200, 260, 400
16	R0305400	Sight Glass Kit	200, 260, 400
17	R0457502	Igniter Kit	200, 260, 400
18	R0591000	Refractory Replacement Kit, External	200, 260, 400
19	R0593200	Isolator Kit	200, 260, 400
20	R0589405	Heat Exchanger Tube Replacement (400k)	400
	R0589403	Heat Exchanger Tube Replacement (260k)	260
	R0589402	Heat Exchanger Tube Replacement (200k)	200
	R0746905	Heat Exchanger CuNi Tube Replacement (400k)	400NN, 400PN
21	R0805805	Heat Exchanger and Header Assembly* (Excludes Burner)	400
	R0805803	Heat Exchanger and Header Assembly* (Excludes Burner)	260

*Complete Heat Exchanger and Header Assembly labeled for use on Natural Gas Heaters; kit includes labeling for use on LP Heaters.

JXi™ Heater (Mfg. 2014–Present)

Key	Part No.	Description	Model
21	R0591100	Blower Assembly	200, 260, 400
22	R0591200	Air Intake Grate	200, 260, 400
23	R0591302	Orifice, Blower Air Intake Kit, 200N	200
	R0591303	Orifice, Blower Air Intake Kit, 260N	260
	R0591305	Orifice, Blower Air Intake Kit, 400N	400
	R0591312	Orifice, Blower Air Intake Kit, 200P	200
	R0591313	Orifice, Blower Air Intake Kit, 260P	260
	R0591315	Orifice, Blower Air Intake Kit, 400P	400
24	R0591601	Gas Orifice Kit, 200, NAT (LP to NAT Conversion)	200
	R0591602	Gas Orifice Kit, 260, NAT (LP to NAT Conversion)	260
	R0591604	Gas Orifice Kit, 400, NAT (LP to NAT Conversion)	400
	R0591605	Gas Orifice Kit, 200, LP (NAT to LP Conversion)	200
	R0591606	Gas Orifice Kit, 260, LP (NAT to LP Conversion)	260
	R0591608	Gas Orifice Kit, 400, LP (NAT to LP Conversion)	400
25	R0591400	Gas Valve	200, 260, 400
26	R0591702	Burner Gas Supply System Kit, 200	200
	R0591703	Burner Gas Supply System Kit, 260	260
	R0591705	Burner Gas Supply System Kit, 400	400
27	R0614500	Capacitor Blower, JXi Kit	200, 260, 400



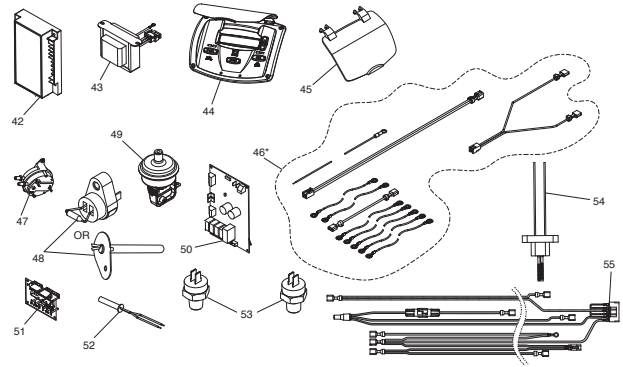
Key	Part No.	Description	Model
28	R0589600	Access Door Kit (Door, O-Ring Seal, Screws)	200, 260, 400
29	R0589700	Thermal Regulator Valve	200, 260, 400
30	R0589800	Bypass Kit (Shaft, Spring, C-clip, Poppet)	200, 260, 400
31	R0446000	Drain Plug	200, 260, 400
32	R0589500	Gasket & Seals Kit (Heater Manifold)	200, 260, 400
33	R0590005	Manifold Backplate, JXi 400	400
	R0590003	Manifold Backplate, JXi 260	260
	R0590002	Manifold Backplate, JXi 200	200
34	R0590100	Manifold, Heater 3 Port (No Backplate)	200, 260, 400
36	R0593500	Goody Bag Kit*	200, 260, 400
37	R0522900	Universal Half Unions, 1/PK	200, 260, 400
38	SEAQL1001	Sweep Elbow AquaLink® Temp	200, 260, 400
39	R0523000	Drain Cap Assembly	200, 260, 400
40	R0336101	Pressure Relief Valve JXi Replacement Kit	200, 260, 400
41	R0457001	Pressure Switch w/Siphon Loop Kit	200, 260, 400
42	R0725203	Flow Plate Assembly, JXi 400	400
	R0725202	Flow Plate Assembly, JXi 260	260
	R0725201	Flow Plate Assembly, JXi 200	200
43	JXIVFKIT	JXi VersaFlo™ Integrated Bypass Assembly Kit	200, 260, 400

*Goody Bag Kit also includes the Installation and Operation Manual and the Universal Controller Quick Guide

GAS HEATERS

JXi™ Heater (Mfg. 2014–Present)

Key	Part No.	Description	Model
42	R0456900	Ignition Control	200, 260, 400
43	R0456301	Transformer	200, 260, 400
44	R0591900	User Interface Kit	200, 260, 400
45	R0592000	User Interface Lid Kit	200, 260, 400
46	R0592100	Wiring Harness Kit	200, 260, 400
47	R0456400	Air Pressure Switch	200, 260, 400
48	R0524300	Vent Limit Switch - JXi Rev G* and Earlier	200, 260, 400
48	R0719400	Electronic Flue Sensor - JXi Rev H* and Later**	200, 260, 400
49	R0013203	Water Pressure Switch, 7 psi, JXi	200, 260, 400
50	R0458200	Power Interface Board (PIB) - JXi Rev G* and Earlier	200, 260, 400
50	R0719500	Power Interface Board (PIB) - JXi Rev H* and Later**	200, 260, 400
51	R0458100	Power Distribution Board (PDB)	200, 260, 400
52	R0456500	Temperature Sensor Kit	200, 260, 400
53	R0592300	High-Limit Temp Sensors	200, 260, 400
54	R0457502	Igniter Kit, JXi	200, 260, 400
55	R0457701	JXi Power Interface Harness	200, 260, 400



*The JXi Revision can be identified by the first letter of the serial number found on the heater rating plate.

**To install on Rev G and Earlier JXi heaters, R0719400 and R0719500 must be replaced together.

JXiQ™ Heater (Mfg. 2024–Present)

Key	Part No.	Description	Model
N/S	R0988203	JXiQ Complete Combustion Chamber, w/o Burner, 260	260
N/S	R0988205	JXiQ Complete Combustion Chamber, w/o Burner, 400	400
N/S	R0989100	JXiQ Gas Pressure Switch	200, 260, 400
N/S	R0988500	JXiQ Gas Pressure Switch Assembly	200, 260, 400
N/S	R0988700	JXiQ Ignition Controller Assembly	200, 260, 400
N/S	R0988600	JXiQ Outlet Sensor / Drain	200, 260, 400
N/S	R0988800	JXiQ UI, Complete	200, 260, 400
N/S	R0989200	JXiQ UI Lid Kit	200, 260, 400
N/S	R0988900	JXiQ Wiring Harnesses	200, 260, 400
N/S	R0989000	JXiQ UI Wiring Harness	200, 260, 400
N/S	R1009500	JXiQ Fuse Kit	200, 260, 400
N/S	R0985500	JXiQ PI Harness Kit	200, 260, 400
N/S	R0719402	JXiQ Flue Sensor Kit	200, 260, 400
N/S	R0456502	JXiQ Inlet Temp Sensor	200, 260, 400
N/S	R0965100	JXiQ/JXi Sacrificial Anode	200, 260, 400

N/S=Not Shown



Jandy® JXiQ™ ASME® Compliant Heater

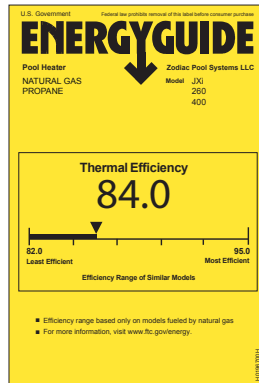
- Robust copper or cupronickel heat exchanger tubes and corrosion-resistant bronze headers to meet the high stresses of commercial installations
- Best retrofit option, no plumbing adjustments required for quick and easy replacement of Pentair® MasterTemp® and Sta-Rite® Max-E-Therm® heaters

Part No.	Description
Copper Heat Exchanger Tubes with Bronze Headers	
JXIQ260NC	JXiQ Pool Heater 260 Natural Gas ASME Compliant
JXIQ260PC	JXiQ Pool Heater 260 Propane Gas ASME Compliant
JXIQ400NC	JXiQ Pool Heater 400 Natural Gas ASME Compliant
JXIQ400PC	JXiQ Pool Heater 400 Propane Gas ASME Compliant
Cupronickel Heat Exchanger Tubes with Bronze Headers	
JXIQ260NS	JXiQ Pool Heater 260 Natural Gas CuNi ASME Compliant
JXIQ260PS	JXiQ Pool Heater 260 Propane Gas CuNi ASME Compliant
JXIQ400NS	JXiQ Pool Heater 400 Natural Gas CuNi ASME Compliant
JXIQ400PS	JXiQ Pool Heater 400 Propane Gas CuNi ASME Compliant

Energy Guide Labels

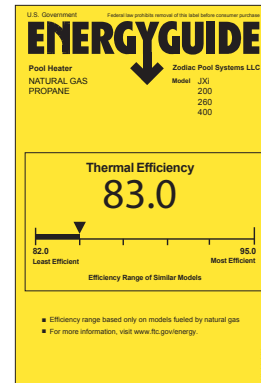
JXiQ™ 84%

JXI400NC, JXI400PC, JXI260NC, JXI260PC, JXI260PS, JXI400NS, JXI400PS



JXiQ 83%

JXI260NS



Heater Model Numbers

JXi™			
Model	Size	Fuel Type	Heat Exchanger and Headers
JXiQ	200	N = Natural Gas	Blank = Copper Heat Exchanger; Polymer Header
	260	P = Propane Gas	N = Cupronickel Heat Exchanger; Polymer Header
	400		K = Copper Heat Exchanger; Polymer Header with VersaFlo™ Factory Installed
			C = Copper Heat Exchanger, Bronze Header (ASME® Compliant)*
			S = Cupronickel Heat Exchanger; Bronze Header (ASME Compliant)

Altitude Ratings

JXiQ heaters are CSA certified for elevations of up to 4,500 ft. (1,372 m.) above sea level. BTU output is reduced about 4% per 1,000 ft. (305 m) over 4,500 ft. (1,372 m.). In general, efficiency at high elevations is equal to or better than at sea level.

*ASME = Conforms to American Society of Mechanical Engineers certification.

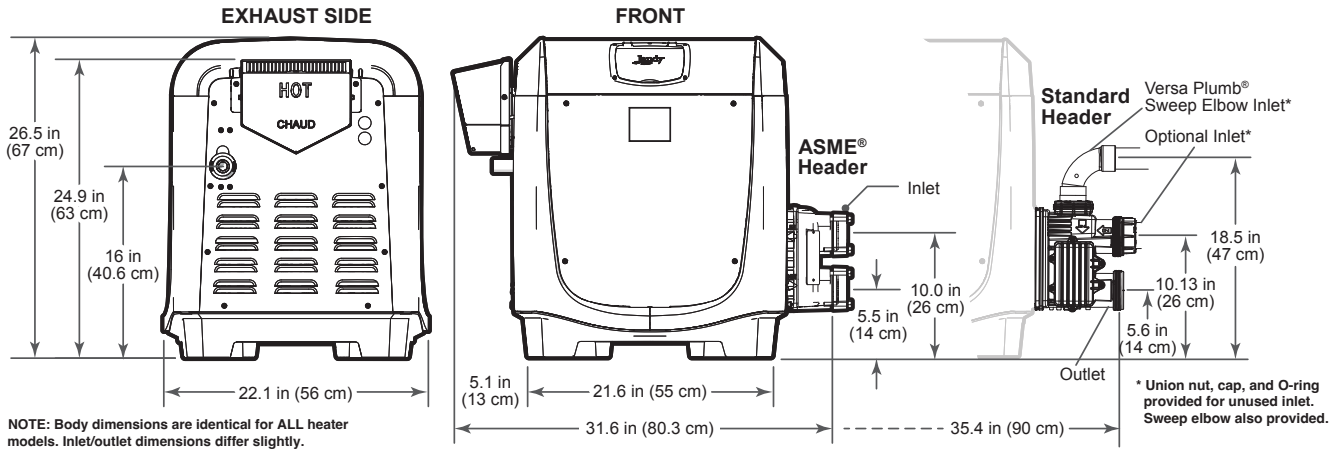


JXiQ™/JXi™ Accessories

Part No.	Description
R0731100	JXiQ/JXi 4" Vent Adapter
R0724600	JXiQ/JXi Air Intake Kit w/ 3" Adapter
JXIGUARD	JXiQ/JXi Control Panel Lock Box

GAS HEATERS

Specifications and Dimensions for JXi™ Series Heaters



Model	Vent Diameter (Category I)		Vent Diameter (Category III)		Firing Rate	
	in.	cm	in.	cm	BTU/HR	kcal/HR
200	6	15	4	10	200,000	50
260	7	18	4	10	260,000	66
400	8	20	4	10	399,000	101

Natural Gas Pipe Size Requirements

Maximum Equivalent Pipe Length (Sch 40 Metallic Pipe)

Natural Gas 1000BTU/FT³ — 0.60 Specific Gravity @ 0.5 in. W.C. Pressure Drop

Propane Gas 2500BTU/FT³ — 1.53 Specific Gravity @ 0.5 in. W.C. Pressure Drop

	3/4"		1"		1-1/4"		1-1/2"	
	NAT	LP	NAT	LP	NAT	LP	NAT	LP
JXi200	25 ft	60 ft	90 ft	215 ft	360 ft			
JXi260	15 ft	35 ft	50 ft	125 ft	210 ft	480 ft	445 ft	
JXi400	*	15 ft	20 ft	55 ft	95 ft	225 ft	215 ft	480 ft

*A 3/4" gas line can be used for up to 5 feet maximum length from the gas valve in addition to the sediment trap.

NOTE:

- Check supply pressure and local code requirements before proceeding with installation.
- Consider pipe fittings when determining gas pipe sizing. For every elbow used add three (3) feet to straight pipe length.
- Table shows the minimum supply gas pipe size required. Larger pipe size can be used if required by local code or if desired.
- It is critical that the incoming gas supply pressure at the heater is within the maximum and minimum pressure requirements. If the range of acceptable supply pressure is not provided, the gas supply system to the heater must be modified to meet pressure requirements.

Optional Testing Equipment

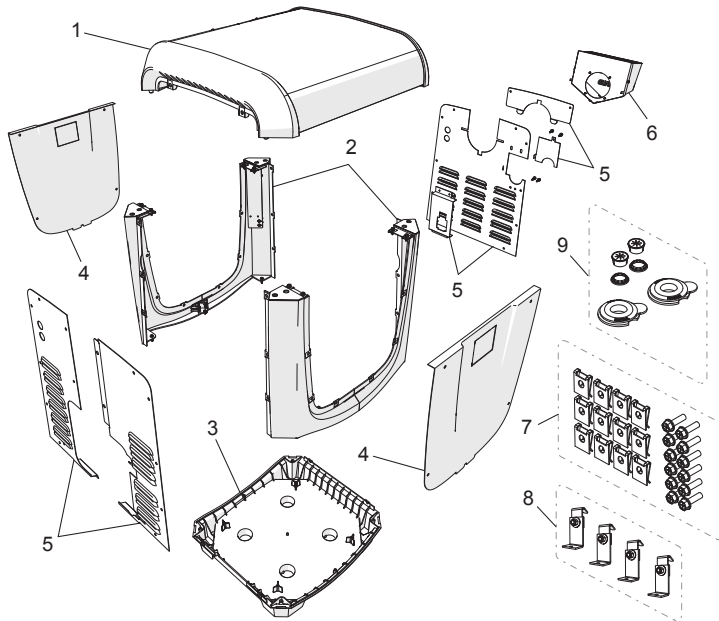
Part No.	Description
R0010400	Gas Pressure Test Kit (manometer)
R0336000	Temp Rise Measurement, Replacement Kit (Can be used on all heaters — JXi™, LXi, Legacy™, LX™/LT™, Lite2™, etc.)

Pressure Relief Valves

Part No.	Description	Model
R0040400	Pressure Relief Valve Kit, 75 psi, Cast Iron/Bronze Headers	All
R0336100	Pressure Relief Valve Kit, 75 psi, Polymer Headers, LX/LT, LXi, and Legacy (Also works with cast iron/bronze headers)	All
R0336101	Pressure Relief Valve Kit JXi	All
R0336102	Pressure Relief Valve Kit, JXi ASME® Compliant, 75 psi	JXi ASME Compliant

JXi™ ASME® Compliant Heater

Part No. JXi260NC, JXi260PC, JXi400NC, JXi400PC, JXi260NS, JXi260PS, JXi400NS, JXi400PS

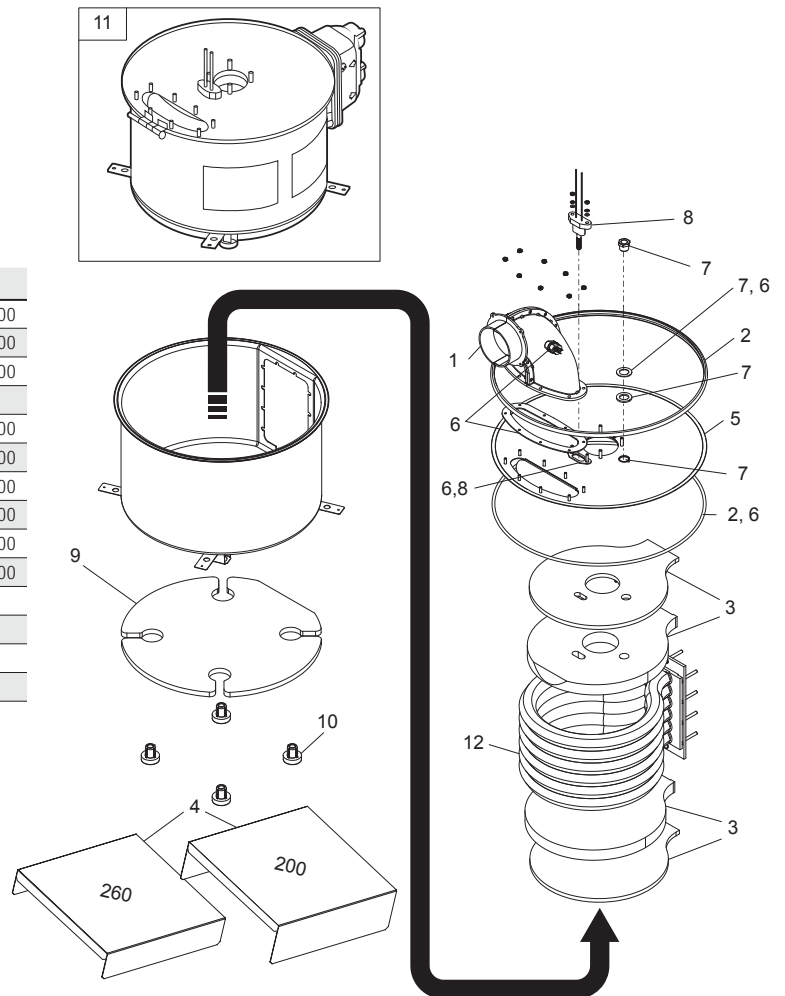


Key	Part No.	Description	Model
1	R0592400	Heater Jacket Top Kit (no User Interface)	260, 400
2	R0592500	Corner Post Kit, Left/Right (set of 2)	260, 400
3	R0592600	Heater Base Kit	260, 400
4	R0592700	Front or Back Panel Kit	260, 400
5	R0821000	Side Panel Kit*	260, 400
6	R0593100	Vent Terminal Housing Kit	260, 400
7	R0593300	Jacket Hardware Kit	260, 400
8	R0593400	Anchor Brackets Kit (set of 4)	260, 400
9	R0591800	Jacket Hole Plug Kit	260, 400

*Includes: Exhaust side panel, top panel closure, anti rotation bracket and access door. Header side panel LH, Header side panel RH.

Key	Part No.	Description	Model
1	R0590200	Exhaust Elbow Assembly Kit	260, 400
2	R0590400	Band Clamp Kit	260, 400
3	R0590500	Refractory Kit, Internal	260, 400
4	R0590700	Combustion Chamber Shelf (set of 2: Models 200, 260)	260
5	R0590800	Combustion Chamber Lid Kit	260, 400
6	R0590900	Gasket Kit	260, 400
7	R0305400	Sight Glass Kit	260, 400
8	R0457502	Igniter Kit	260, 400
9	R0591000	Insulation Kit, External	260, 400
10	R0593200	Isolator Kit (Thermal)	260, 400
11*	R0961000	Combustion Chamber, CuNi Tube JXi 260 w/o Burner	260
	R0961001	Combustion Chamber, CuNi Tube JXi 400 w/o Burner	400
12	R0961100	Heat Exchanger CuNi Tube ASME, 260K BTU	260
	R0961101	Heat Exchanger CuNi Tube ASME, 400K BTU	400

*Complete Heat Exchanger and Header Assembly labeled for use on Natural Gas Heaters, kit includes labeling for use on LP Heaters.

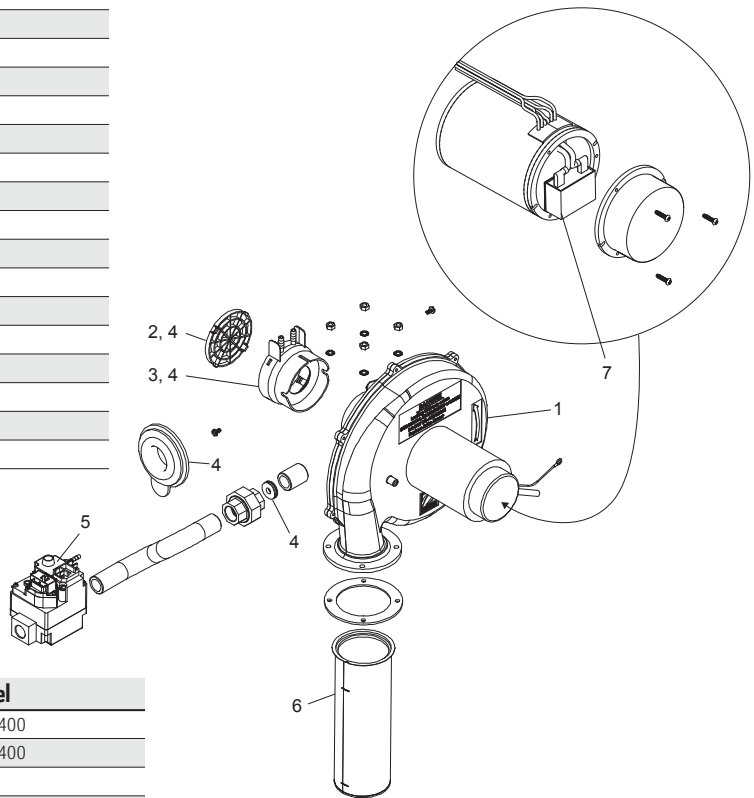


GAS HEATERS

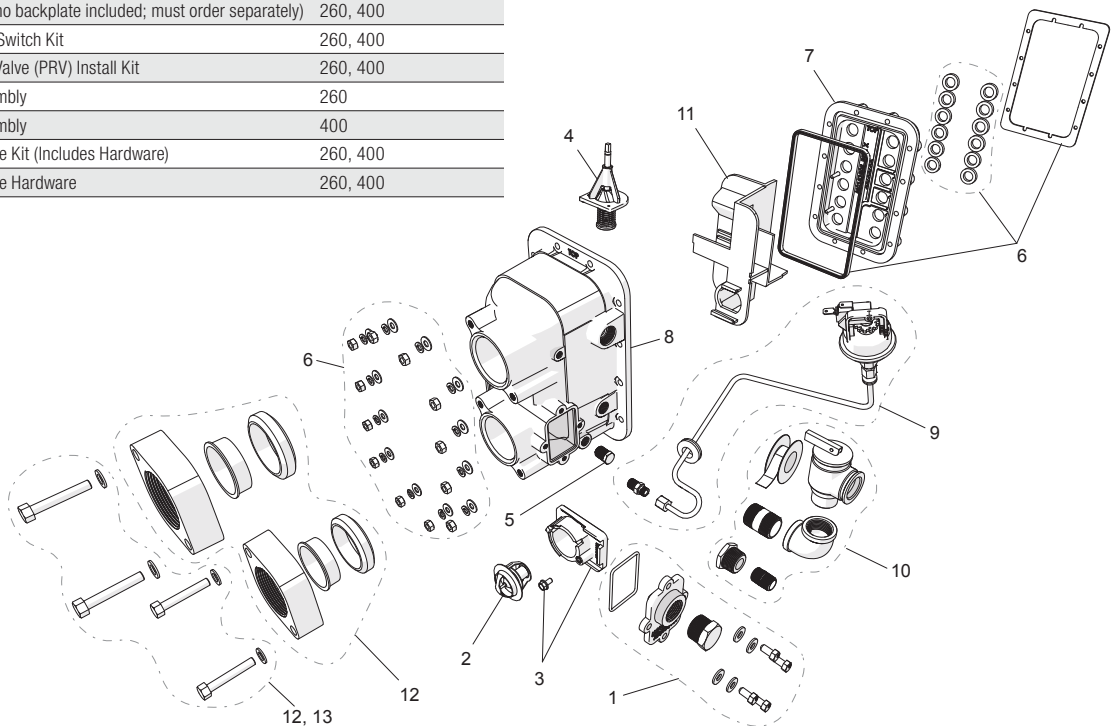
JXi™ ASME® Compliant Heater

Part No. JXi260NC, JXi260PC, JXi400NC, JXi400PC, JXi260NS, JXi260PS, JXi400NS, JXi400PS

Key	Part No.	Description	Model
1	R0591100	Blower Assembly	200, 260, 400
2	R0591200	Air Intake Grate	200, 260, 400
3	R0591302	Orifice, Blower Air Intake Kit, 200N	200
	R0591303	Orifice, Blower Air Intake Kit, 260N	260
	R0591305	Orifice, Blower Air Intake Kit, 400N	400
	R0591312	Orifice, Blower Air Intake Kit, 200P	200
	R0591313	Orifice, Blower Air Intake Kit, 260P	260
	R0591315	Orifice, Blower Air Intake Kit, 400P	400
4	R0591601	Gas Orifice Kit, 200, NAT (LP to NAT Conversion)	200
	R0591602	Gas Orifice Kit, 260, NAT (LP to NAT Conversion)	260
	R0591604	Gas Orifice Kit, 400, NAT (LP to NAT Conversion)	400
	R0591605	Gas Orifice Kit, 200, LP (NAT to LP Conversion)	200
4	R0591606	Gas Orifice Kit, 260, LP (NAT to LP Conversion)	260
	R0591608	Gas Orifice Kit, 400, LP (NAT to LP Conversion)	400
	R0591608	Gas Orifice Kit, 400, LP (NAT to LP Conversion)	400
5	R0591400	Gas Valve	200, 260, 400
	R0591702	Burner Gas Supply System Kit, 200	200
6	R0591703	Burner Gas Supply System Kit, 260	260
	R0591705	Burner Gas Supply System Kit, 400	400
7	R0614500	Capacitor Blower, JXi Kit	200, 260, 400



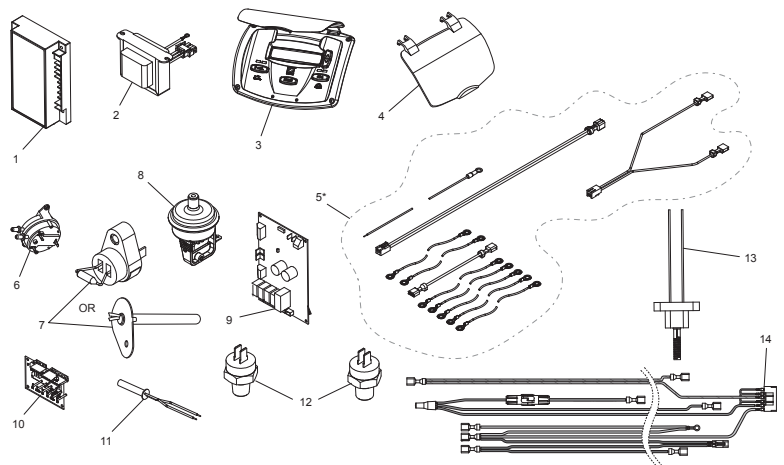
Key	Part No.	Description	Model
1	R0820400	Thermal Regulator Valve Access Plate Kit	260, 400
2	R0589700	Thermal Regulator Valve Kit (TRV)	260, 400
3	R0820501	Thermal Regulator Valve Retainer Kit (400k)	400
	R0820500	Thermal Regulator Valve Retainer Kit (260k)	260
4	R0589800	Internal Bypass Kit	260, 400
5	P0026800+	Drain Plug Kit	260, 400
6	R0820700	Gasket and Seals Kit	260, 400
7	R0828405	Header Backplate Kit (400k)	400
	R0828403	Header Backplate Kit (260k)	260
8	R0820800	Header, 2 Port (no backplate included; must order separately)	260, 400
9	R0828501	Water Pressure Switch Kit	260, 400
10	R0336101	Pressure Relief Valve (PRV) Install Kit	260, 400
11	R0828602	Flow Plate Assembly	260
	R0828603	Flow Plate Assembly	400
12	R0461500	Connector Flange Kit (Includes Hardware)	260, 400
13	R0477800	Connector Flange Hardware	260, 400



JXi™ ASME® Compliant Heater

Part No. JXi260NC, JXi260PC, JXi400NC, JXi400PC, JXi260NS, JXi260PS, JXi400NS, JXi400PS

Key	Part No.	Description	Model
1	R0456900	Ignition Control	200, 260, 400
2	R0456301	Transformer	200, 260, 400
3	R0591900	User Interface Kit	200, 260, 400
4	R0592000	User Interface Lid Kit	200, 260, 400
5	R0592100	Wiring Harness Kit	200, 260, 400
6	R0456400	Air Pressure Switch	200, 260, 400
7	R0524300	Vent Limit Switch	200, 260, 400
	R0719400	Electronic Flue Sensor	200, 260, 400
8	R0013200	Water Pressure Switch Only Kit	200, 260, 400
9	R0719500	Power Interface Board (PIB)	200, 260, 400
10	R0458100	Power Distribution Board (PDB)	200, 260, 400
11	R0456500	Temperature Sensor Kit	200, 260, 400
12	R0592300	High-Limit Temp Sensors	200, 260, 400
13	R0457502	Igniter Kit, JXi	200, 260, 400
14	R0457701	JXi Power Interface Harness	200, 260, 400



JXiQ™ ASME® Compliant Heater (Mfg. 2024–Present)

Key	Part No.	Description	Model
N/S	R0988303	JXiQ Complete Combustion Chamber, w/o Burner, ASME, Copper HX, 260	260
N/S	R0988305	JXiQ Complete Combustion Chamber, w/o Burner, ASME, Copper HX, 400	400
N/S	R0988403	JXiQ Complete Combustion Chamber, w/o Burner, ASME, CuNi HX, 260	260
N/S	R0988405	JXiQ Complete Combustion Chamber, w/o Burner, ASME, CuNi HX, 400	400
N/S	R0989100	JXiQ Gas Pressure Switch	200, 260, 400
N/S	R0988500	JXiQ Gas Pressure Switch Assembly	200, 260, 400
N/S	R0988700	JXiQ Ignition Controller Assembly	200, 260, 400
N/S	R0988600	JXiQ Outlet Sensor / Drain	200, 260, 400
N/S	R0988800	JXiQ UI, Complete	200, 260, 400
N/S	R0989200	JXiQ UI Lid Kit	200, 260, 400
N/S	R0988900	JXiQ Wiring Harnesses	200, 260, 400
N/S	R0989000	JXiQ UI Wiring Harness	200, 260, 400
N/S	R1009500	JXiQ Fuse Kit	200, 260, 400
N/S	R0985500	JXiQ PI Harness Kit	200, 260, 400
N/S	R0719402	JXiQ Flue Sensor Kit	200, 260, 400
N/S	R0456502	JXiQ Inlet Temp Sensor	200, 260, 400