

ADDENDUM TO JANDY CXI

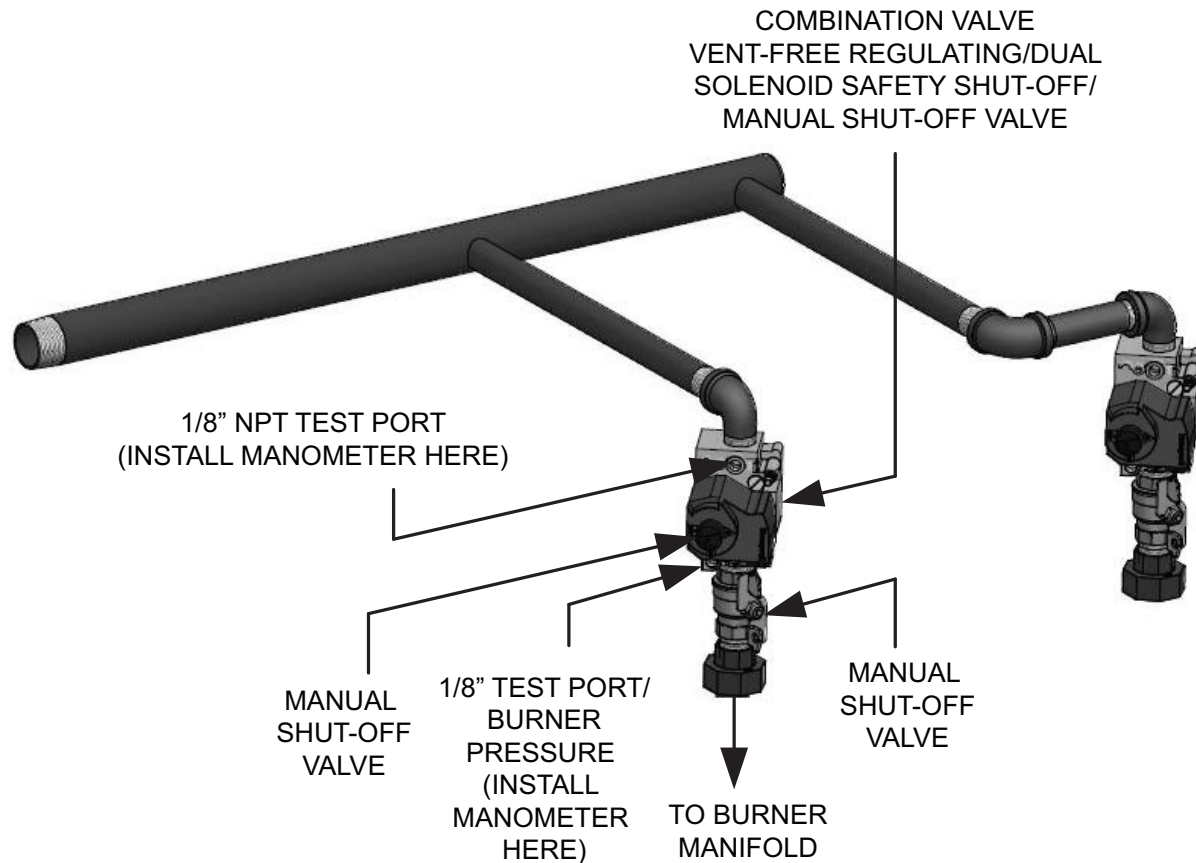
Addresses Commonwealth of Massachusetts Requirements for Manual Reset High and Low Gas Pressure Switches FOR CXi MODELS: 500, 650, & 750

In the Commonwealth of Massachusetts, gas appliances over 1,000,000 BTU must be equipped with manual reset high and low gas pressure switches.

The following models may be equipped from the factory with high and low gas pressure switches when required to meet the Massachusetts requirements.

Model Number	Illustration
500, 650, 750	FIGURE A

Figure A - 500,000 to 750,000 BTU Models



Revision Notes: Revision A (PCP #3000035644 / CN #500024063) initial release.