



Jandy®

# EASY TO INSTALL, SIMPLE TO MAINTAIN



2-inch valve\*



\*2-inch valve available on SFTM24-2.0 only.

## Easy to Install, Simple to Maintain

Our Top-Mount Sand Filters are designed with features to make installation easy and filter more water, faster.

### » SFTM

- Large 2" valve for increased flow and enhanced filtration (SFTM24-2.0)
- 7-position multi-port valve can be rotated to quickly adjust filter mode
- 360° clamp-style valve rotates for easy installation
- Laterals fold up/down for quick installation and to service (SFTM24-2.0)
- Blow-molded tank is corrosion- and UV-resistant
- Combination water/sand drain for easy maintenance
- Unions and adapters included— no need to buy additional parts



7-position multi-port valve for 2" plumbing (SFTM24-2.0)



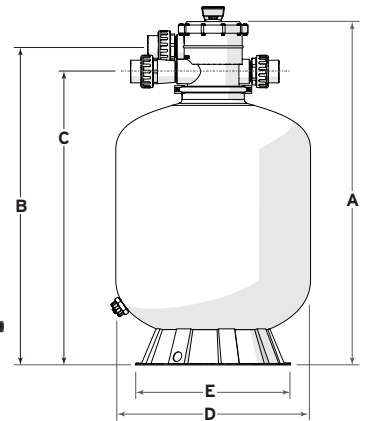
SFTM24-2.0

SFTM22-1.5

Folding laterals for quick installation and serviceability\*



\* SFTM24-2.0



### DIMENSIONS

	SFTM22-1.5	SFTM24-2.0
Height - Dimension "A"	31"	41.85"
Inlet Port - Dimension "B"	33.4"	38.75"
Outlet Port - Dimension "C"	28.6"	35.75"
Tank Width - Dimension "D"	22"	23.75"
Base Width - Dimension "E"	19"	19"

### SPECIFICATIONS

	SFTM22-1.5	SFTM24-2.0
Filtration Area	2.60 ft <sup>2</sup>	3.04 ft <sup>2</sup>
Valve Plumbing Size	1½"	2"
Filtration Flow Rate	50 gpm	60 gpm
Backwash Flow Rate	38 gpm	40 gpm
Max Working Pressure	35 psi	35 psi
Eight (8) Hour Turnover Rate	24,960 gallons	29,760 gallons
Ten (10) Hour Turnover Rate	31,200 gallons	37,200 gallons
Sand Required	250 lbs.	300 lbs.
Sand Requirements	#20 Silica Sand 40-55mm	#20 Silica Sand 40-55mm