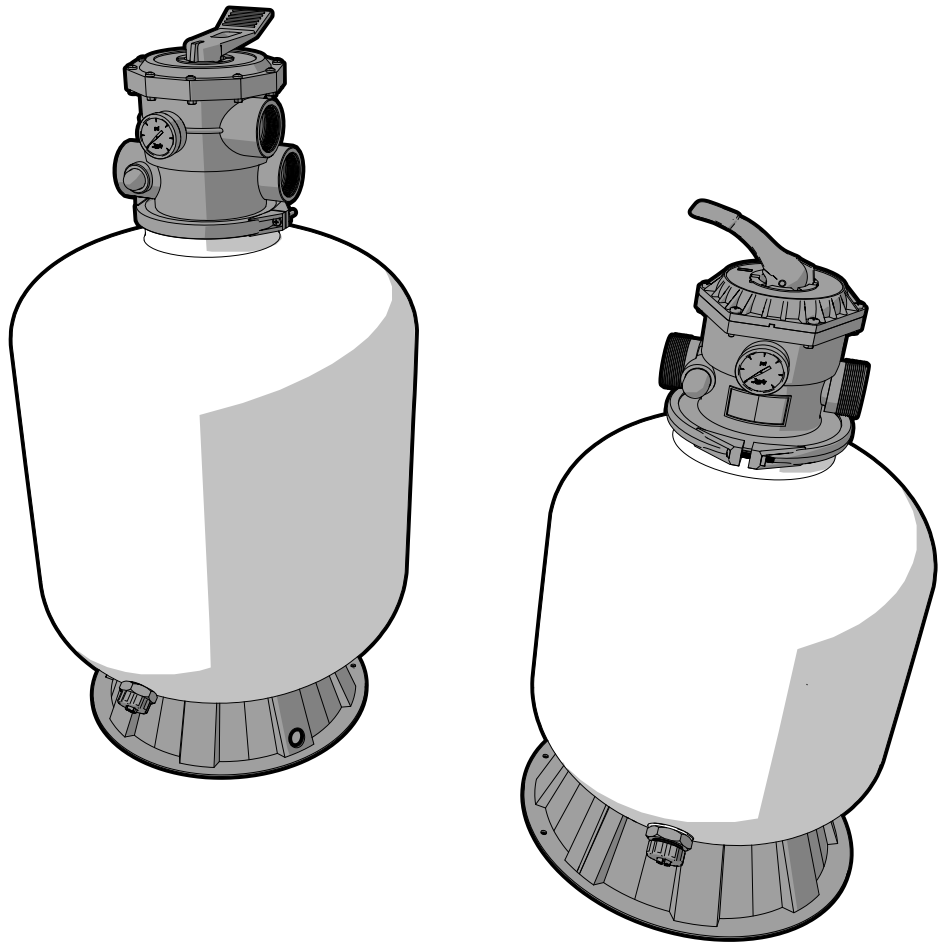




INSTALLATION AND OPERATION MANUAL

ENGLISH | FRANÇAIS | ESPAÑOL



Top Mount Sand Filter Models SFTM22-1.5, SFTM24-2.0

⚠ WARNING

FOR YOUR SAFETY - This product must be installed and serviced by a contractor who is licensed and qualified in pool equipment by the jurisdiction in which the product will be installed where such state or local requirements exist. The maintainer must be a professional with sufficient experience in pool equipment installation and maintenance so that all of the instructions in this manual can be followed exactly. Improper installation and/or operation can create dangerous high pressure which can cause a catastrophic product failure and/or cause the multiport valve to be blown off possibly causing death, serious injury or property damage.

Before installing this product, read and follow all warning notices and instructions that accompany this product. Failure to follow warning notices and instructions may result in death, serious injury or property damage. Consult Zodiac customer service at 1-800-822-7933 for assistance. Improper installation and/or operation will void the warranty.

Table of Contents

Section 1. Important Safety Instructions	3
Section 2. Package Contents	4
2.1 SFTM22-1.5	4
2.2 SFTM24-2.0	4
2.3 Required Tools/Equipment	5
Section 3. Equipment Location.....	5
3.1 Equipment Pad.....	5
3.2 Filter Location.....	5
Section 4. Initial Setup.....	6
4.1 Install Base.....	6
4.2 Install Hub and Laterals SFTM22-1.5.....	6
4.3 Install Hub and Laterals SFTM24-2.0.....	6
4.4 Fill With Sand	6
4.5 Assemble Multiport Valve	7
4.6 Install Multiport Valve	8
4.7 Plumbing	8
Section 5. Operation	8
5.1 Filter Valve Functions	8
5.2 Initial Start up	9
5.3 Operating pressure.....	9
5.4 Changing the filter sand	10
5.5 Winterizing.....	10
Section 6. Dimensions and Replacement Parts	10
6.1 Approximate Dimensions	10
6.2 Replacement Parts.....	11

SECTION 1. IMPORTANT SAFETY INSTRUCTIONS

READ AND FOLLOW ALL INSTRUCTIONS

⚠ WARNING



MAXIMUM OPERATING PRESSURE OF THE FILTER IS 35 PSI. NEVER SUBJECT THE FILTER TO ANY OPERATING PRESSURE EXCEEDING 35 PSI

- Do not connect the system to an unregulated city water system or other external source of pressurized water producing pressures greater than 35 PSI.
- This filter operates under high pressure. When any part of the circulating system, i.e., filter, pump, valve(s), etc. is serviced, air can enter the system and become pressurized when the system is restarted.
- Pressurized air in a system can cause product failure or also cause the dial valve to be blown off which can result in death, serious personal injury or property damage.
- To minimize risk of severe injury or death, the filter and/or pump should not be subjected to the piping pressurization test. Local codes may require the pool piping system to be subjected to a pressure test. These requirements are generally not intended to apply to the pool equipment such as filters or pumps. Jandy pool equipment is pressure tested at the factory.

If however, this **WARNING** cannot be followed and pressure testing of the piping system must include the filter and/or pump **BE SURE TO COMPLY WITH THE FOLLOWING SAFETY INSTRUCTIONS.**

- Check all clamps, bolts, lids, locking devices and system accessories to ensure they are properly installed and secured before testing.
- RELEASE ALL AIR in the system before testing.
- Water pressure for test must NOT EXCEED 35 PSI
- Water temperature for test must NOT EXCEED 100° F (38° C).
- Limit test to 24 hours. After test, visually check system to be sure it is ready for operation.

NOTICE: These parameters apply only to Jandy equipment. For non-Jandy equipment, consult the equipment manufacturer.

To avoid electrical shock hazard, which can result in serious injury or death:

- Ensure that all electrical to the system is turned off before approaching, inspecting or troubleshooting any leaking valves or plumbing that may have caused other electrical devices in the surrounding area to get wet.
- Water discharged from an improperly positioned filter or valve can create an electrical hazard which can cause death, serious injury or property damage.
- Improper dial valve installation can cause product failure or also cause the filter dial to be blown off, which can result in death, serious personal injury or property damage.
- Never attempt to adjust or remove the dial valve when the pump is running or there is pressure in the system. This can cause product failure or also cause the filter dial to be blown off, which can result in death, serious personal injury or property damage.

⚠ CAUTION

- Maintain your pressure gauge in good working order. The pressure gauge is the primary indicator of how the filter is operating.
- Creating high vacuum levels can cause the tank vessel to crack and leak with the potential for property damage.
- Be sure that all provisions for waste water disposal meet local, provincial or national codes. During any backwash or draining process, 100 gallons or more of water will be discharged. Do not discharge water where it will cause flooding or damage.
- To avoid damaging the laterals (spokes), slowly add the filter media until the laterals are fully covered. Consult Installation and Operation Manual for complete sand filling instructions. Cracked or broken laterals (spokes) will cause sand to be discharged to the pool.



Attention installer: This manual contains important information about the installation, operation and safe use of this product. This information should be given to the owner/operator of this equipment.

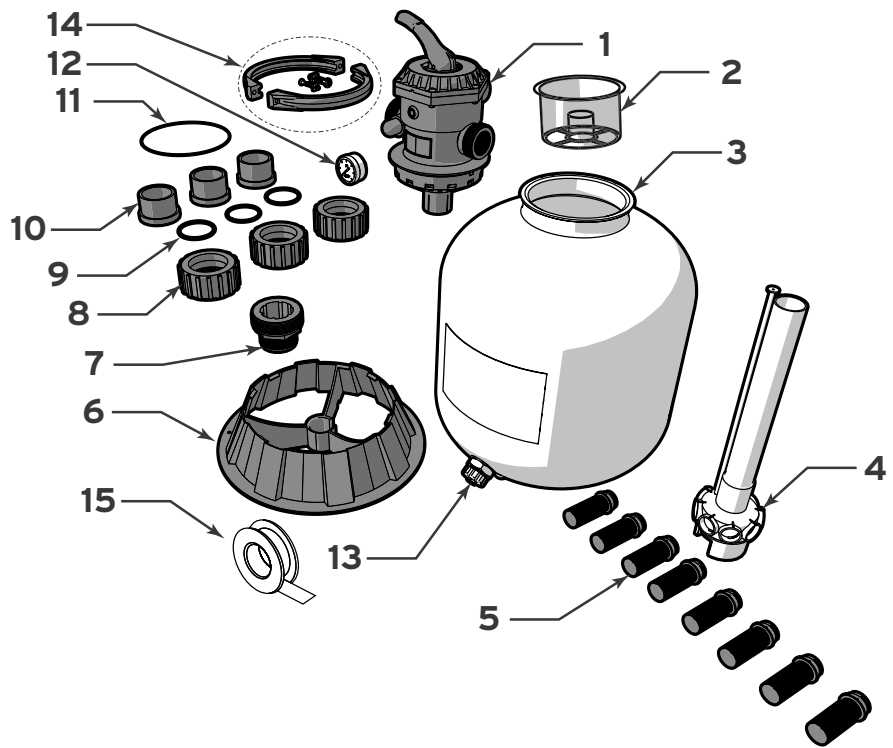
SAVE THESE INSTRUCTIONS

SECTION 2. PACKAGE CONTENTS

2.1 SFTM22-1.5

Unpack and check contents. If any parts are missing or damaged please call Customer Support at 1-800-822-7933.

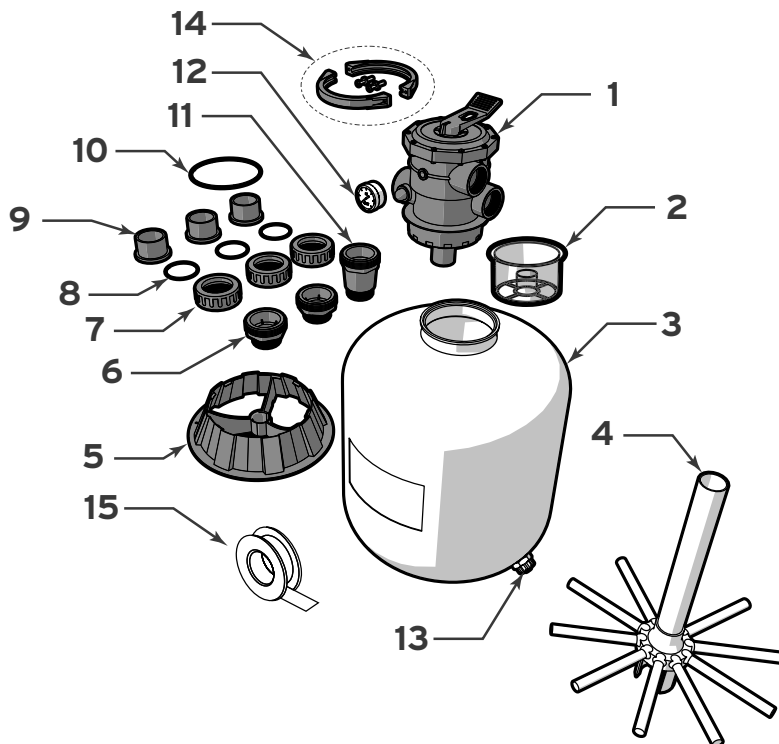
ITEM	DESCRIPTION	QTY.
1	Multiport Valve (1.5")	1
2	Sand Deflector	1
3	Filter Tank	1
4	Lateral Hub Assembly	1
5	Lateral	8
6	Base	1
7	Union Adapter	1
8	Union Nut	3
9	Union O-Ring	3
10	Tailpiece	3
11	Valve O-Ring	1
12	Pressure Gauge	1
13	Drain Valve	1
14	Clamp Arm	2
	Retaining Bolt	2
	Capture Nut	2
15	PTFE Tape	1



2.2 SFTM24-2.0

Unpack and check contents. If any parts are missing or damaged please call Customer Support at 1-800-822-7933.

ITEM	DESCRIPTION	QTY.
1	Multiport Valve (2")	1
2	Sand Deflector	1
3	Filter Tank	1
4	Lateral & Hub Assembly	1
5	Base	1
6	Union Adapter	2
7	Union Nut	3
8	Union O-Ring	3
9	Tailpiece	3
10	Valve O-Ring	1
11	Extension Adapter	1
12	Pressure Gauge	1
13	Drain Valve	1
14	Clamp Arm	2
	Retaining Bolt	2
	Capture Nut	2
15	PTFE Tape	1



2.3 REQUIRED TOOLS/EQUIPMENT

The following list of equipment should be present and available to the installer at the time of install. Failure to

use the appropriate safety and installation equipment could lead to personal injury or property damage.



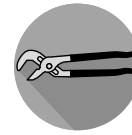
Safety Eyewear



Level



Scoop



Channel Locks



Gloves



Screwdriver,
Phillips Head



PVC Cutter



PVC Pipe Adhesive

SECTION 3. EQUIPMENT LOCATION

All pool water recirculation system components need to be installed in accordance with the standards and instructions in effect in your county or municipality.

Utmost care must be taken to ensure that the equipment is located such that it is able to be safely operated and maintained.

3.1 EQUIPMENT PAD

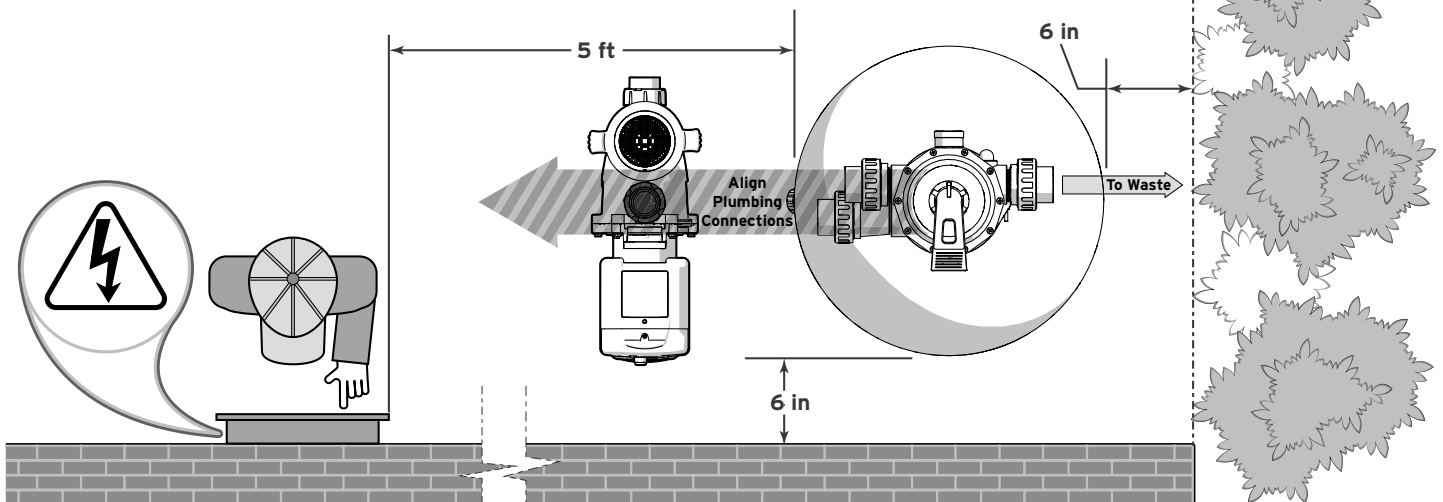
The filter along with the other primary components of your pool water recirculation system should be installed on a level, prepared footing, which is capable of supporting the weight of the filter (see Section 6) and which will accommodate the use of anchoring bolts to secure the equipment in place. Check local building codes for any additional requirements. If possible the equipment pad area should be:

- Dry
- Well ventilated
- Supplied with sufficient drainage
- Out of direct sunlight
- Located away from eaves or overhangs where rain gutters are not installed
- Away from overhanging trees or other foliage that may produce waste or debris of any kind that could clog, block or otherwise disrupt the regular operation and maintenance of the equipment
- As close to the primary body of water as possible. Additional pipe length reduces efficiency due to pipe friction

3.2 FILTER LOCATION

On the equipment pad, the filter should be positioned so that it is:

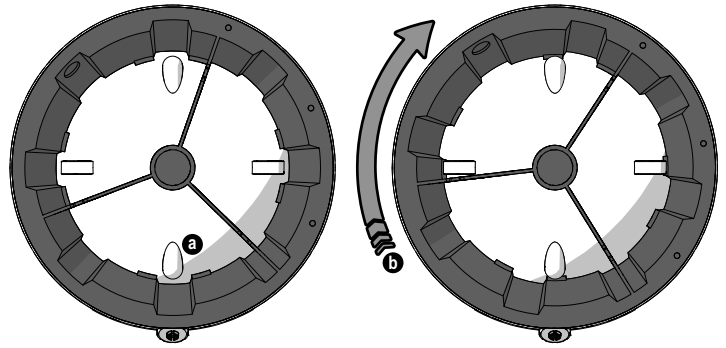
- Level
- At least 6 inches away from walls and landscaping for servicing
- At least 5 feet away from any electrical controls or inputs.
- In line with other equipment in order to minimize turns in plumbing which can result in diminished efficiency
- Stationary and not subject to movement



SECTION 4. INITIAL SETUP

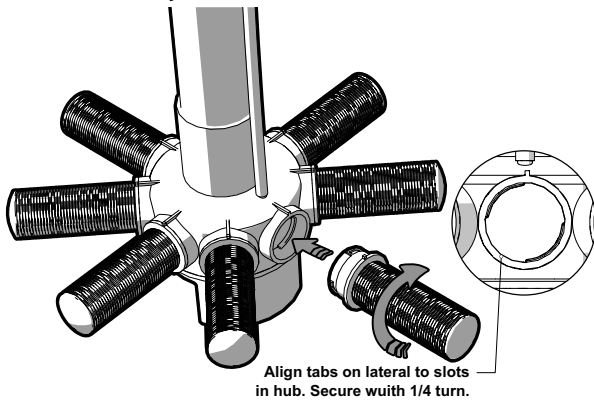
4.1 INSTALL BASE

- Turn filter tank upside down.
 - Position the base so that the retention nodes are between the lock tabs.
 - Turn clockwise until the lock tabs are securely seated under the retention nodes.



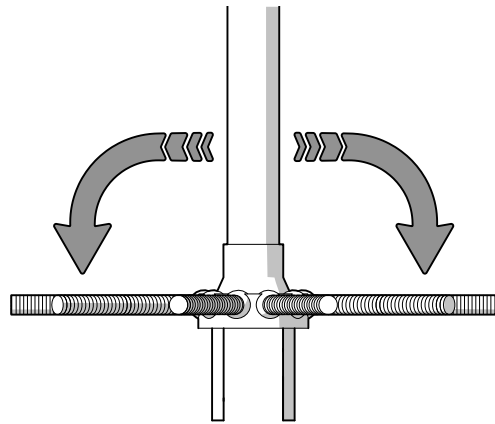
4.2 INSTALL HUB AND LATERALS SFTM22-1.5

- Inspect the laterals and lateral hub assembly for damage or debris. Replace or clean where needed.
- Insert the lateral hub assembly into the filter tank.
- Reach into filter tank and install each lateral to the hub.
- Each lateral requires a single quarter turn. Ensure that the laterals are snug. **DO NOT OVERTIGHTEN.**



4.3 INSTALL HUB AND LATERALS SFTM24-2.0

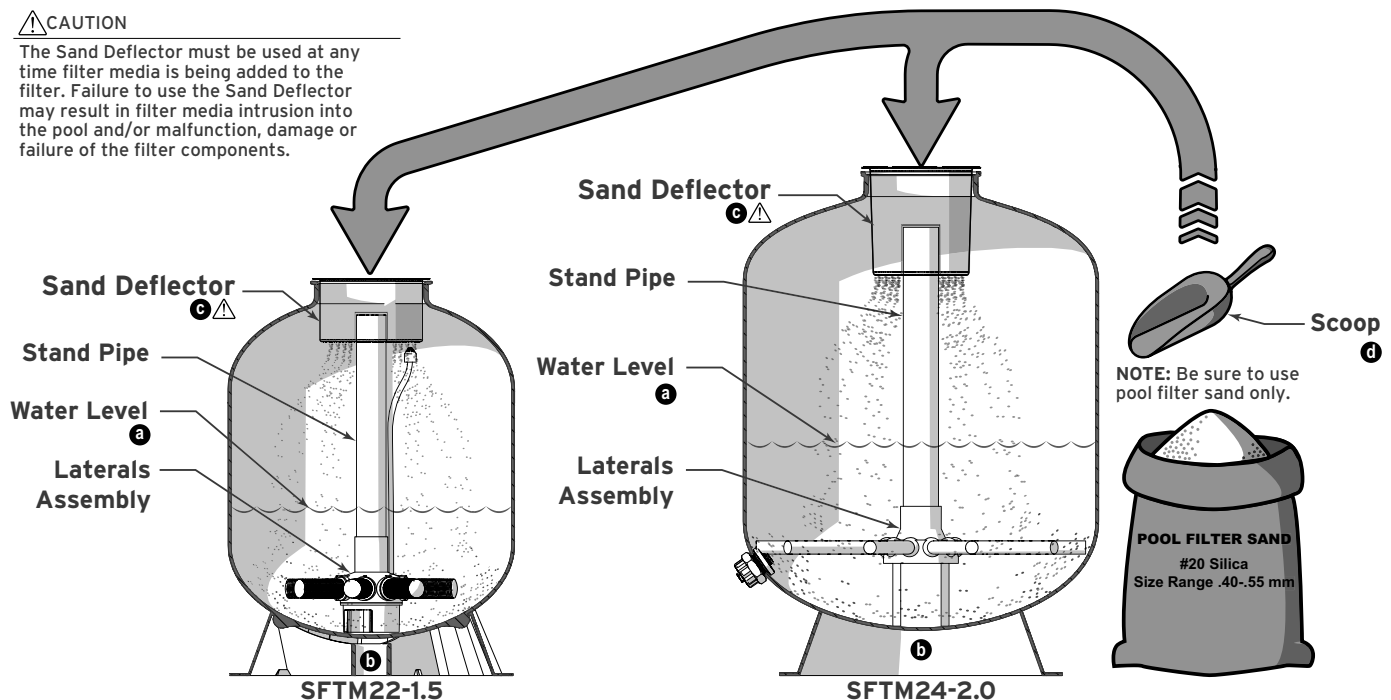
- Inspect the laterals and lateral hub assembly for damage or debris. Replace or clean where needed.
- Insert the lateral hub assembly into the filter tank.
- Reach into filter tank and extend each lateral into a fully horizontal position.



4.4 FILL WITH SAND

⚠ CAUTION

The Sand Deflector must be used at any time filter media is being added to the filter. Failure to use the Sand Deflector may result in filter media intrusion into the pool and/or malfunction, damage or failure of the filter components.



The proper type, amount and cleanliness of your filter sand is critical to the proper function and longevity of your equipment.

#20 Silica Sand (for pool filter use only) Size Range .40-.55 mm		NOTE: Alternate Filter Media
Model	Lbs. (kg)	Manufacturers directions must be followed for any alternate media. Use of other media may deliver unexpected results and may void the warranty.
SFTM22-1.5	250 (113)	
SFTM24-2.0	300 (136)	

1. Make sure the filter is level on the equipment pad.
2. Prepare filter for sand.
 - a Fill the filter 1/3 - 1/2 full of water before adding sand.
 - This will minimize any undue strain on the laterals when adding sand.

- b Ensure stand pipe is seated at the bottom of the filter tank.
- c Install the clear plastic stand pipe shield.
 - The shield should completely cover the pipe opening.
 - Special care should be taken to avoid getting filter sand into the stand pipe.
- d Using a small scoop, slowly and evenly add sand to the filter.
 - Be sure to allow the stand pipe shield to fully drain between each scoop to avoid spilling.

When all filter sand has been added:

3. Remove stand pipe shield and store for future use.

4.5 ASSEMBLE MULTIPORT VALVE

1. Install pressure gauge.
 - a Remove the plug from the pressure gauge port.
 - b Install pressure gauge.
 - Screw into place until snug. DO NOT OVERTIGHTEN.
 - If possible, orient the gauge so that it is horizontally aligned. The included Teflon® tape can be used to aid in getting the appropriate orientation and fit.
 - c If possible, orient the gauge so that it is right reading and perpendicular to ground level.

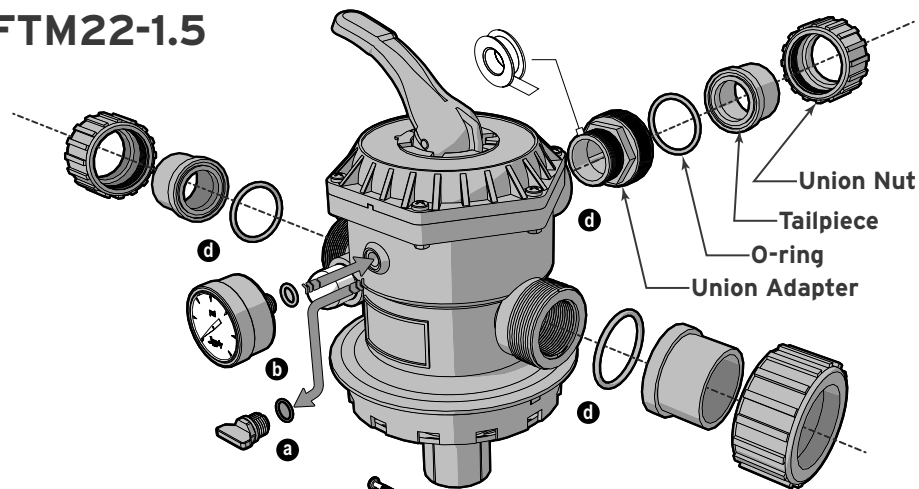
- d Install unions at the filter's Pump, Return and Waste ports.
 - SFTM22-1.5 will use a union adapter at the waste port only.
 - SFTM24-2.0 will use union adapters at the waste and return ports. The extension adapter will be used at the pump port.
 - Apply 4-6 wraps of PTFE (plumbers) tape for each union adapter installed at the multiport valve. Only install PTFE (plumbers) tape on the adapter threads at the valve ports.
 - Do not use PTFE (plumbers) tape on union nut threads.

⚠ WARNING

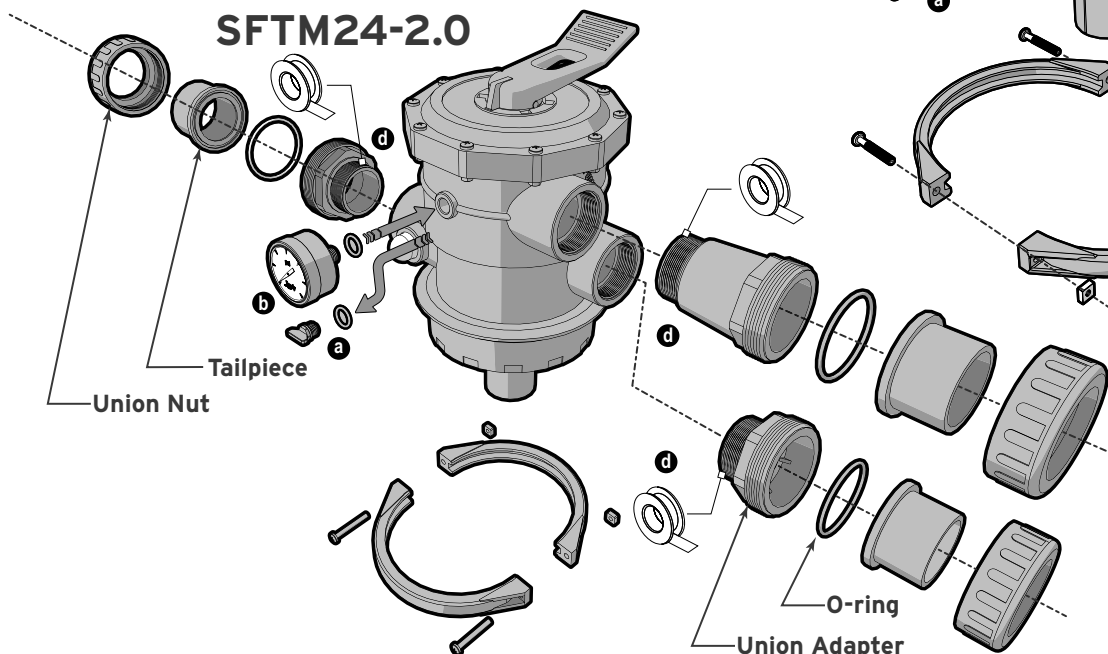
PVC cement and primer can produce vapors that can be hazardous to your health. Use PVC cement to join pipes only in a well ventilated area where vapors cannot accumulate.

Pipe dope should NEVER be used on plastic threads. Pipe dope will severely weaken the plastic, causing leakage and may cause the plastic to fracture. DO NOT OVERTIGHTEN

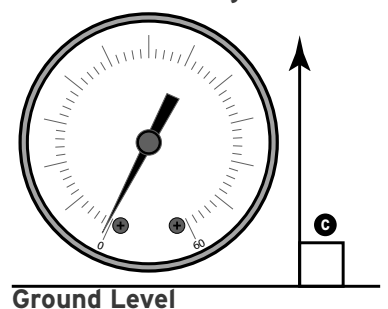
SFTM22-1.5



SFTM24-2.0



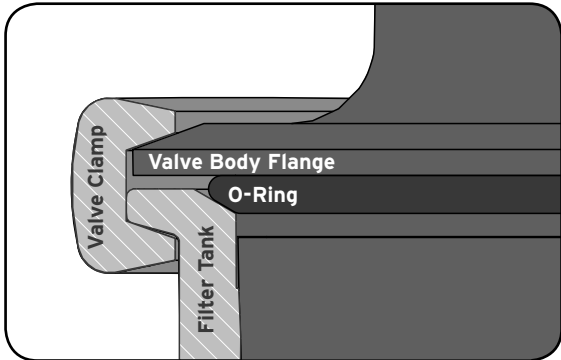
Pressure Gauge



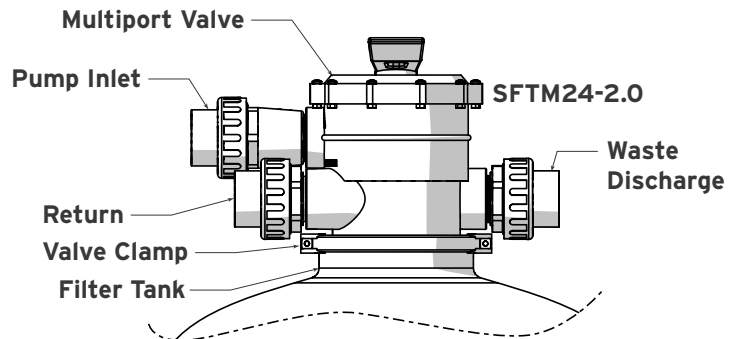
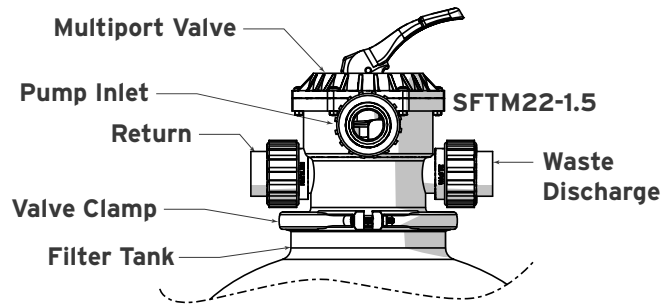
Ground Level

4.6 INSTALL MULTIPOINT VALVE

1. Flip the valve assembly upside down. Install the valve/tank O-ring so that it is seated below the valve body flange.
2. Seat valve onto filter tank with standpipe secured in center port of the multiport valve body.
3. Make sure pump and return ports are oriented so that bends and/or joints in plumbing are minimized.
4. Position the valve clamp so that it captures both the valve body flange and the filter tank.



5. Position multiport valve clamp so that the bolts will be accessible after the filter has been plumbed.
6. Use a Phillips head screw driver to secure the clamp.

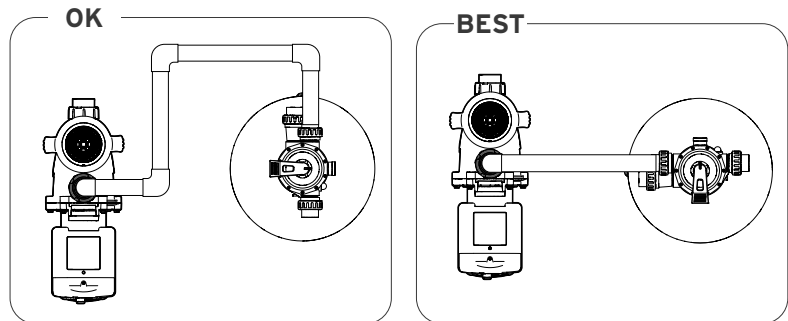


7. Alternate tightening of the valve clamp from side to side.
8. Do not overtighten clamp.

4.7 PLUMBING

Make sure all plumbing connections are in accordance with local plumbing and building codes.

1. Using appropriate pipe adhesive, connect the filter to the pool water recirculation system.
2. Plumb the pump discharge line to the Pump Port on the Multiport Valve.
3. Plumb the return line to the Return Port on the Multiport Valve.
4. Plumb the waste line to the Waste Port on the Multiport Valve.
5. Connect the pipes using the unions supplied with the filter. Do not use PTFE (plumbers) tape or pipe dope on any union nuts. Assemble the unions dry and hand tighten.



6. SFTM22-1.5 piping adapters are sized for 1 1/2" PVC pipe, SFTM24-2.0 piping adapters are sized for 2" PVC pipe. In order to reduce pressure loss, 2" (minimum) piping is recommended.

SECTION 5. OPERATION

This filter operates under pressure. When clamped properly and operated without air in the water system, this filter will operate in a safe manner. All plumbing

connections should be in accordance with local plumbing and building codes. **Do not use pipe joint compound, glue or solvent on the union nut threads.**

5.1 FILTER VALVE FUNCTIONS

Filter pump must be turned off prior to making any adjustments to the multiport valve. When starting the pump after making adjustments to the valve be sure to stand clear of the filter. Ensure that all provisions for waste water disposal meet local, state or national codes.

Set Valve Handle to:

- **FILTER:** Water passes through filter sand and returns back to the pool. Set for Normal filtration operation. Multiport Valve should be in this position for all typical filtration and sanitation circulation.
- **WASTE:** Water bypasses filter sand and is routed to waste port.
- **RECIRCULATE:** Water bypasses filter sand and is returned to the pool.
- **CLOSED:** Closes all passages through the Multiport Valve.
- **WINTER:** This valve position leaves the multiport valve handle disengaged and all passages through the valve open for draining. Once the filter is drained, it is recommended that the valve handle be kept in the Winter position.
- **BACKWASH:** Water passes through filter sand in reverse and is sent to the waste port. With pump running, periodically check water clarity in sight glass. Once water is visibly clear, the backwash cycle is complete.
- **RINSE:** Water passes through filter sand to waste. Use after backwash cycle to clean debris from the Multiport Valve. Rinse should run for 1-2 minutes.

5.2 INITIAL START UP

1. Make sure that all connections are secure and that any glued piping connections or joints have had sufficient time to cure.
2. Backwash filter sand.
 - Set multiport valve to backwash.
3. Turn on filter pump.
 - Water will discharge from waste port.
 - While pump is running, periodically check the water clarity through the sight glass or at the waste port.
 - Once water is visibly clear the backwash cycle is complete.
 - See "5.1 Filter Valve Functions" on page 8 for details.
4. Turn off filter pump.
5. Set valve to rinse.
6. Stand clear of filter and turn on the filter pump.
 - Water will discharge from waste port.
7. Allow filter to run for 1-2 minutes.
8. Turn off filter pump.
9. Set multiport valve to filter.
10. Stand clear of filter.
11. Turn on filter pump and allow it to run normally.
 - Water will discharge to pool from return port.
 - Take the pressure reading from the pressure gage while the filter pump is running at its typical filtration RPM.
 - Set the pressure gage to clean using the filtration PSI as the "clean" mark.

5.3 OPERATING PRESSURE

WARNING



MAXIMUM OPERATING PRESSURE OF THE FILTER IS 35 PSI. NEVER SUBJECT THE FILTER TO ANY OPERATING PRESSURE EXCEEDING 35 PSI

- Do not connect the system to an unregulated city water system or other external source of pressurized water producing pressures greater than 35 PSI.
- This filter operates under high pressure. When any part of the circulating system, i.e., filter, pump, valve(s), etc. is serviced, air can enter the system and become pressurized when the system is restarted.
- Pressurized air in a system can cause product failure or also cause the dial valve to be blown off which can result in death, serious personal injury or property damage.
- To minimize risk of severe injury or death, the filter and/or pump should not be subjected to

the piping pressurization test. Local codes may require the pool piping system to be subjected to a pressure test. These requirements are generally not intended to apply to the pool equipment such as filters or pumps. Jandy pool equipment is pressure tested at the factory.

If however, this **WARNING** cannot be followed and pressure testing of the piping system must include the filter and/or pump **BE SURE TO COMPLY WITH THE FOLLOWING SAFETY INSTRUCTIONS.**

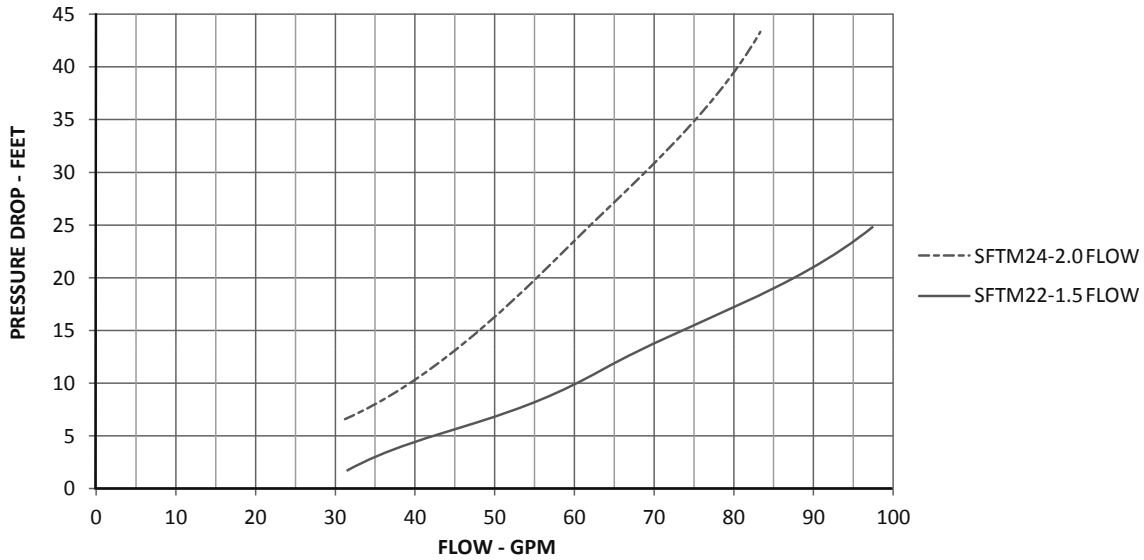
- check all clamps, bolts, lids, lock rings and system accessories to ensure they are properly installed and secured before testing.
- **RELEASE ALL AIR** in the system before testing.
- Water pressure for test must **NOT EXCEED 35 PSI**
- Water temperature for test must **NOT EXCEED 100° F (38° C)**.
- Limit test to 24 hours. After test, visually check system to be sure it is ready for operation.

NOTICE: These parameters apply only to Jandy equipment. for non-Jandy equipment, consult the equipment manufacturer.

The filter is designed to operate effectively based on the performance curve listed below. At no time is the filter to be subjected to internal pressures greater than 50 psi.

1. After initial startup run the filter pump for several minutes.
2. Take note of the running pressure and set the "clean" indicator on the pressure gage dial to the filtration PSI.
3. Check the operating pressure regularly at least once a week.
4. Performing a backwash procedure is required once the pressure consistently reads 10 PSI greater than the initial startup pressure, **DO NOT EXCEED 35 PSI.**
5. Follow backwash and rinse procedure. See "5.1 Filter Valve Functions" on page 8 and "5.2 Initial Start up" on page 9.
6. If after backwashing the filter you are unable to get the pressure to lower sufficiently to ensure operational pressures below 35 PSI you will need to replace the filter sand.

SFTM22-1.5 AND SFTM24-2.0 PERFORMANCE



5.4 CHANGING THE FILTER SAND

Filter sand will need to be removed from the multiport valve opening.

1. Loosen bolts from clamp.
2. Remove clamp.
3. Remove Multiport Valve.
4. Use a wet/dry vacuum or similar suction device to vacuum old sand from filter tank.

5. Keep enough water in filter tank to keep sand in a semi fluid "slurry" state
6. Using steps from "4.4 Fill With Sand" on page 6 replace the sand in the filter.

⚠ WARNING

Be sure to dispose of used filter sand appropriately. Used filter sand is not appropriate for human or pet contact

5.5 WINTERIZING

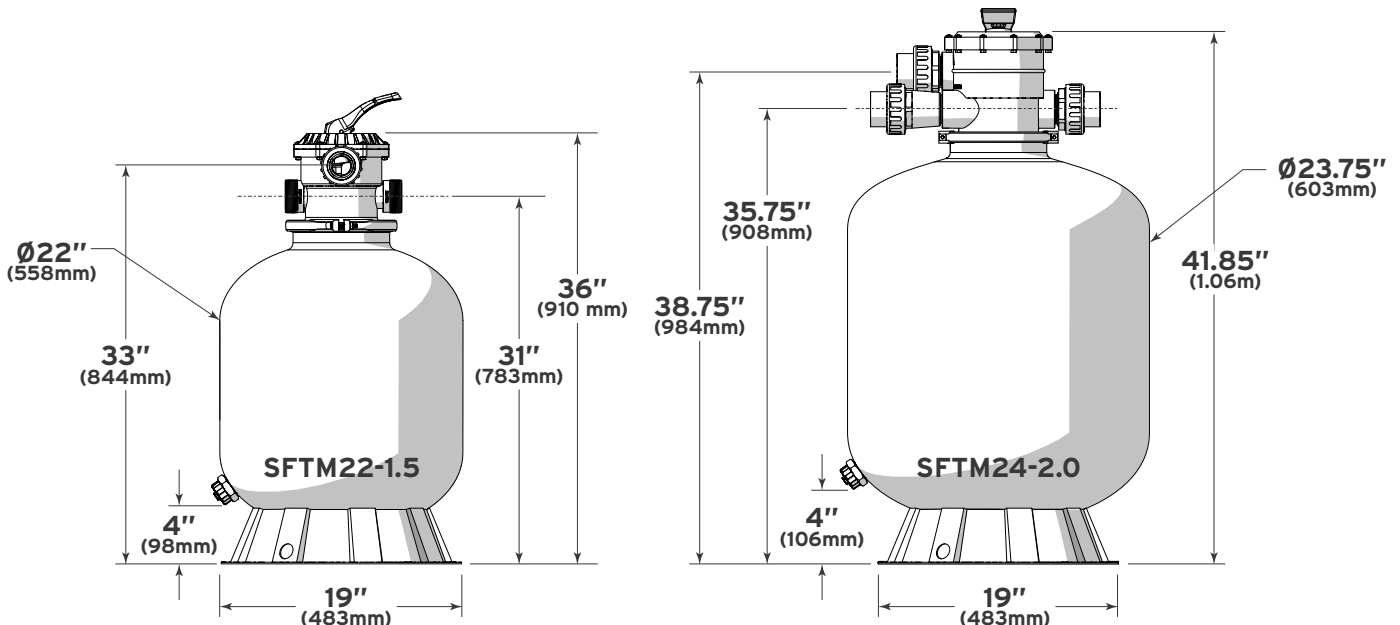
Turn off the pump.

1. Move the Multiport valve handle to "Winter".
2. Remove any drain plugs from the filter.

3. Vent the filter by removing the pressure gauge or disconnecting one of the unions.
4. Drain system piping of all water.
5. Cover the system with a tarpaulin or plastic sheet to protect from the weather.

SECTION 6. DIMENSIONS AND REPLACEMENT PARTS

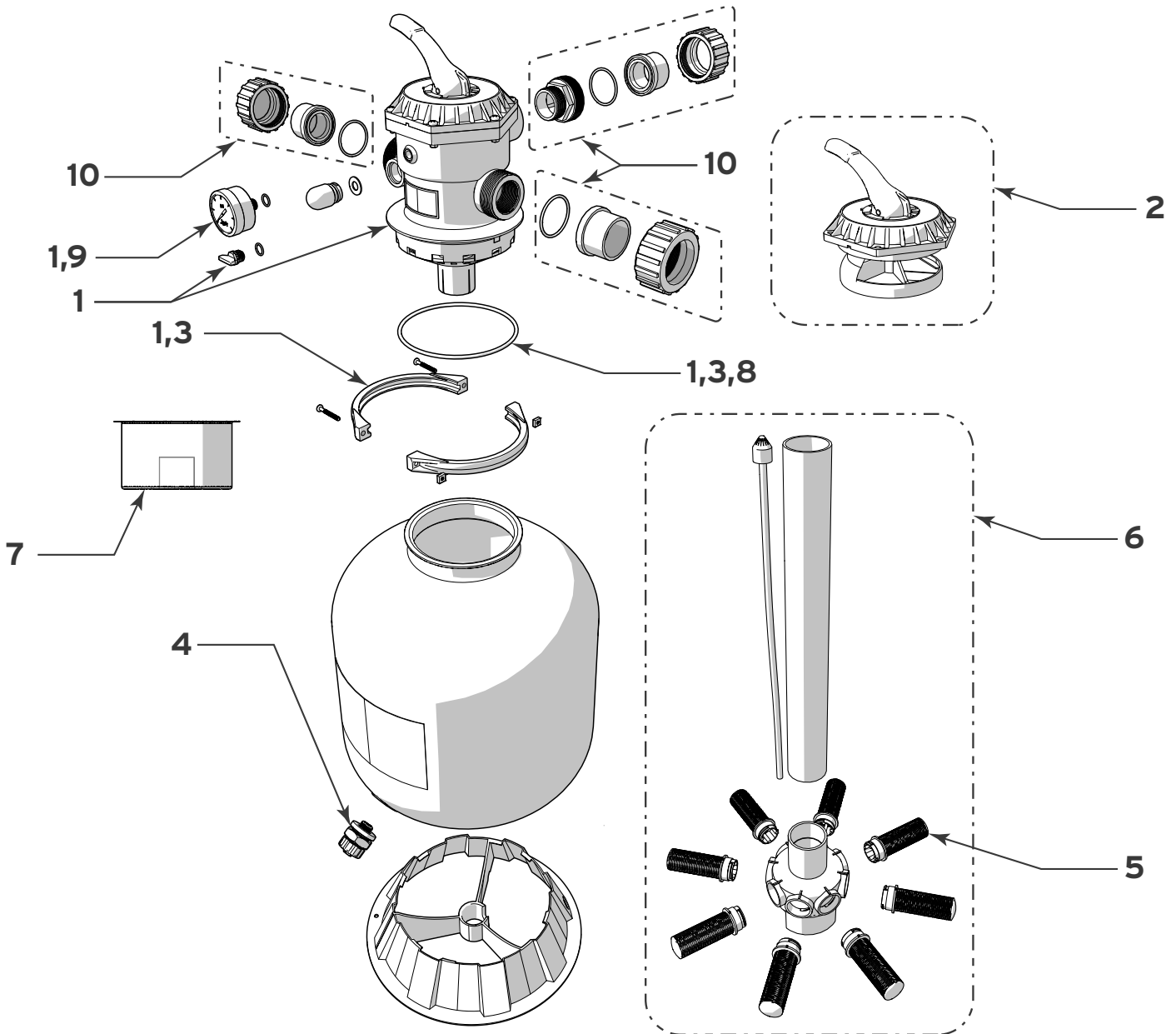
6.1 APPROXIMATE DIMENSIONS



6.2 REPLACEMENT PARTS

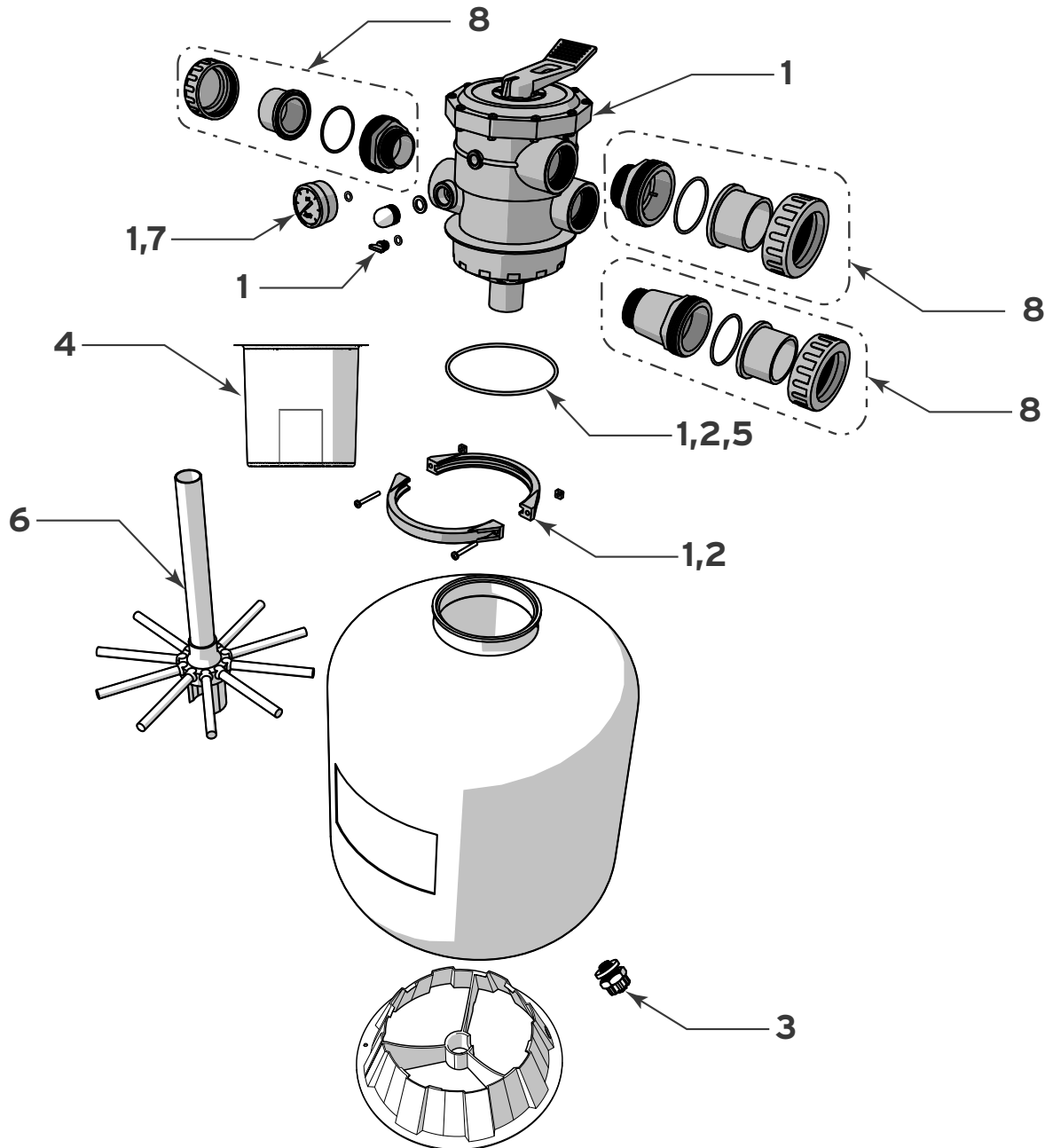
6.2.1 SFTM22-1.5

ITEM	Part #	Description	QTY
1	R0744600	Complete Multi-Port Valve w/Clamp Assembly (1.5" MPV)	1
2	R0744700	Top Rotor Assembly	1
3	R0745100	Flange Clamp Assembly	1
4	R0745200	Drain Cap and O-Ring	1
5	R0745300	Lateral (Full Set)	8
6	R0745400	Lateral & Standpipe Assembly	1
7	R0745500	Sand Deflector	1
8	R0745800	O-Ring Valve Tank	1
9	R0745000	Pressure Gauge Assembly	1
10	R0745600	Complete 1.5" Unions Kit	3



6.2.2 SFTM24-2.0

ITEM	Part #	Description	QTY
1	R0745700	Complete Multi-Port Valve w/Clamp Assembly (2" MPV)	1
2	R0745100	Flange Clamp Assembly	1
3	R0745200	Drain Cap and O-Ring	1
4	R0746100	Sand Deflector	1
5	R0745800	O-ring, Valve/Tank	1
6	R0746000	Lateral & Standpipe Assembly	1
7	R0745000	Pressure Gauge Assembly	1
8	R0746200	Complete 2" Unions With Adapter Kit	1



NOTES

NOTES

NOTES

Zodiac Pool Systems, Inc.

2620 Commerce Way, Vista, CA 92081

1.800.822.7933 | www.jandy.com

Zodiac Pool Systems Canada, Inc.

2115 South Service Road West, Unit 3

Oakville, ON L6L 5W2

1.888.647.4004 | www.ZodiacPoolSystems.ca

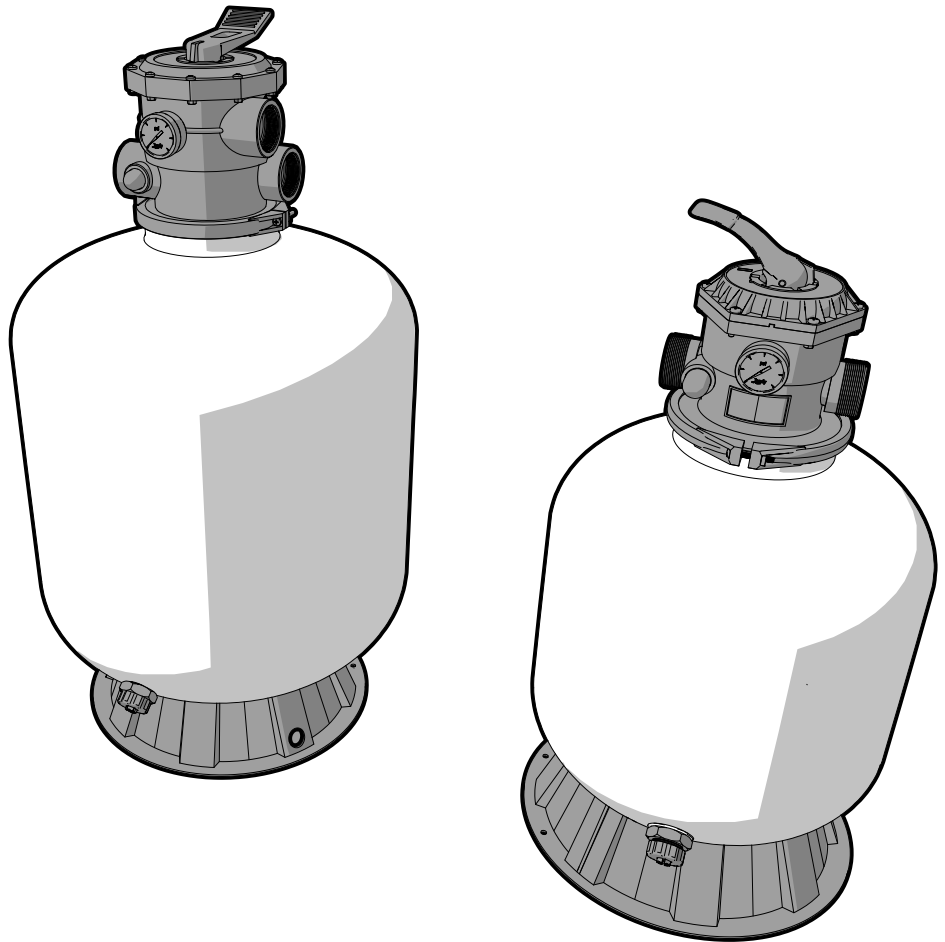
ZODIAC® is a registered trademark of Zodiac International, S.A.S.U., used under license. All other trademarks referenced herein are the property of their respective owners.

©2016 Zodiac Pool Systems, Inc. H0579200_REVD



MANUEL D'INSTALLATION ET MODE D'EMPLOI

ENGLISH | FRANÇAIS | ESPAÑOL



Filtre à sable à chargement par le dessus Modèles SFTM22-1.5, SFTM24-2.0

⚠ AVERTISSEMENT

POUR VOTRE SÉCURITÉ – Ce produit doit être installé et entretenu par un entrepreneur autorisé et qualifié pour les équipements de piscine par la juridiction dans laquelle le produit sera installé lorsque de telles exigences locales ou gouvernementales existent. L'agent d'entretien doit être un professionnel avec suffisamment d'expérience dans l'installation et la maintenance des équipements de piscine pour suivre correctement les consignes du présent manuel. L'installation et/ou l'utilisation inappropriées peuvent entraîner une haute pression dangereuse, susceptible de causer une panne du produit et/ou de provoquer l'éclatement de la valve multivoies, risquant de causer la mort, des blessures graves ou des dommages matériels.

Avant d'installer ce produit, lisez et respectez la totalité des avertissements et instructions qui accompagnent ce produit. Le non-respect des avertissements et des instructions peut entraîner la mort, des blessures graves ou des dommages matériels. Communiquez avec le service à la clientèle de Zodiac au 1-800-822-7933 pour obtenir de l'aide. Une installation et/ou une utilisation inappropriées annuleront la garantie.

Table des matières

Section 1. Consignes de sécurité importante	19
Section 2. Contenu de l'emballage	20
2.1 SFTM22-1.5	20
2.2 SFTM24-2.0	20
2.3 Outils/équipements requis.....	21
Section 3. Emplacement de l'équipement.....	21
3.1 Massif	21
3.2 Emplacement du filtre.....	21
Section 4. Configuration initiale	22
4.1 Installation de la base.....	22
4.2 Installation de l'axe et des embranchements SFTM22-1.5	22
4.3 Installation de l'axe et des embranchements SFTM24-2.0	22
4.4 Remplissage de sable	22
4.5 Assemblage de la valve multivoies	23
4.6 Installation de la valve multivoies	24
4.7 Plomberie	24
Section 5. Fonctionnement	24
5.1 Fonctions de la valve du filtre	24
5.2 Démarrage initial	25
5.3 Pression de fonctionnement.....	25
5.4 Remplacement du sable de filtre.....	26
5.5 Hivérisation.....	26
Section 6. Dimensions et pièces de rechange	26
6.1 Dimensions approximatives	26
6.2 Pièces de rechange.....	27

SECTION 1. CONSIGNES DE SÉCURITÉ IMPORTANTES

LIRE ET SUIVRE TOUTES LES INSTRUCTIONS

AVERTISSEMENT



LA PRESSION DE FONCTIONNEMENT MAXIMALE DU FILTRE EST DE 35 PSI. NE SOUMETTEZ JAMAIS LE FILTRE À UNE PRESSION DE FONCTIONNEMENT DÉPASSANT 35 PSI

- Ne raccordez pas le système à un système d'alimentation en eau urbain non réglementé ou à une autre source externe d'eau sous pression générant des pressions supérieures à 35 psi.
- Ce filtre fonctionne sous haute pression. Lors de l'entretien d'une partie quelconque du système de circulation, c'est-à-dire filtre, pompe, valve(s), etc., l'air peut pénétrer dans le système et devenir sous pression lorsque le système est redémarré.
- L'air sous pression dans un système risque de provoquer une panne du produit ou une ouverture explosive de la valve sélectrice, pouvant entraîner la mort, des blessures graves ou des dommages matériels.
- Pour réduire les risques de blessures graves ou mortelles, le filtre et/ou la pompe ne doivent pas être soumis à l'essai de mise sous pression de la tuyauterie. Les codes locaux peuvent exiger un essai de mise sous pression du système de tuyauterie de la piscine. Ces exigences ne s'appliquent généralement pas aux équipements de piscine tels que les filtres ou les pompes. L'équipement de piscine Jandy a fait l'objet d'un essai de mise sous pression en usine.

Toutefois, si cet **AVERTISSEMENT** ne peut pas être respecté et que l'essai de mise sous pression du système de tuyauterie doit inclure le filtre et/ou la pompe, **ASSUREZ-VOUS DE VOUS CONFORMER AUX CONSIGNES DE SÉCURITÉ SUIVANTES.**

- Vérifiez que l'ensemble des brides, boulons, couvercles, dispositifs de verrouillage et accessoires du système sont correctement installés et fixés avant d'effectuer un essai.
- **ÉVACUEZ TOUT L'AIR** du système avant d'effectuer un essai.
- La pression d'eau pour l'essai ne doit **PAS DÉPASSER 35 PSI**
- La température de l'eau pour l'essai ne doit **PAS DÉPASSER 100 °F (38 °C)**.
- Limitez l'essai à 24 heures. Après l'essai, vérifiez visuellement le système pour vous assurer qu'il est prêt à fonctionner.

AVIS : Ces paramètres s'appliquent uniquement à l'équipement Jandy. Pour un équipement qui n'est pas fabriqué par Jandy, consultez le fabricant.

Pour éviter un risque de choc électrique, qui peut entraîner des blessures graves ou même la mort :

- Assurez-vous que toute l'alimentation électrique du système est coupée avant d'approcher, d'inspecter ou de dépanner les valves ou la plomberie présentant des fuites qui peuvent avoir mouillé d'autres dispositifs électriques à proximité.
- L'eau déchargée d'un filtre ou d'une valve incorrectement positionné peut entraîner un danger électrique risquant de causer la mort, des blessures graves ou des dommages matériels.
- Une installation incorrecte de la valve sélectrice risque de provoquer une panne du produit ou une ouverture explosive de la valve sélectrice du filtre, pouvant entraîner la mort, des blessures graves ou des dommages matériels.
- Ne tentez jamais de régler ou retirer la valve sélectrice pendant que la pompe est en marche ou s'il y a de la pression dans le système, car cela risque de provoquer une panne du produit ou une ouverture explosive de la valve sélectrice du filtre, pouvant entraîner la mort, des blessures graves ou des dommages matériels.

ATTENTION

- Maintenez votre manomètre en bon état de marche. Le manomètre est le principal indicateur de l'état de fonctionnement du filtre.
- Créer des niveaux d'aspiration élevés peut entraîner une fissuration et une fuite du réservoir, risquant de causer des dommages matériels.
- Assurez-vous que toutes les dispositions pour l'évacuation des eaux usées respectent les codes locaux, provinciaux ou nationaux. Pendant tout processus de lavage à contre-courant ou d'évacuation, au moins 100 gallons d'eau sont évacués. N'évacuez pas l'eau dans un endroit où elle pourrait causer une inondation ou des dommages.
- Pour éviter d'endommager les embranchements (rayons), ajoutez lentement la matière filtrante jusqu'à ce que les embranchements soient entièrement recouverts. Consultez le manuel d'installation et mode d'emploi pour les instructions complètes de remplissage du sable. Des embranchements (rayons) fendus ou cassés entraînent le déchargement du sable dans la piscine.



Note pour l'installateur : Ce manuel contient des informations importantes concernant l'installation, le fonctionnement et l'utilisation sans risque de ce produit. Ces informations doivent être données au propriétaire/à l'utilisateur de cet équipement.

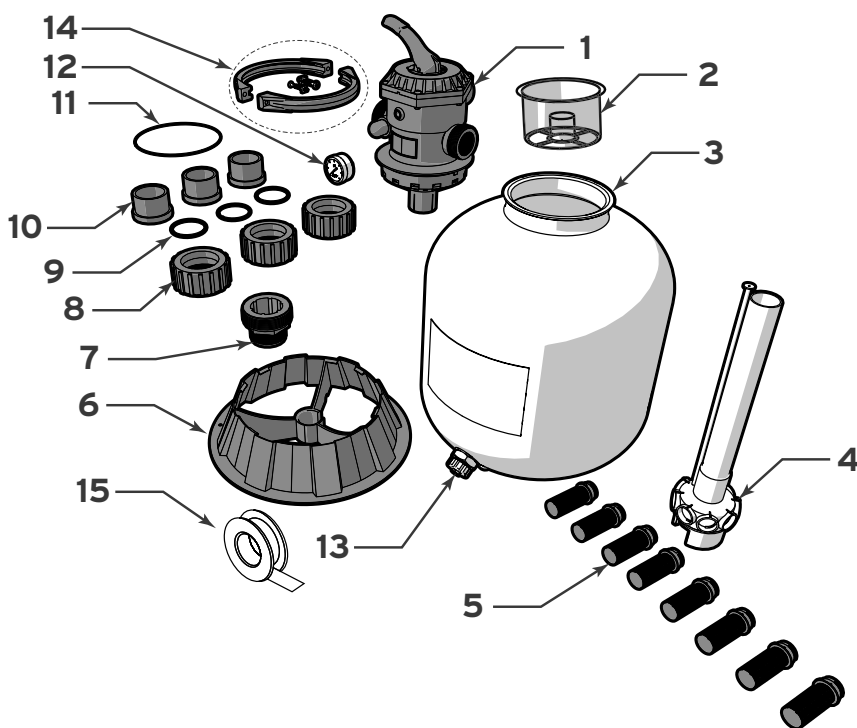
CONSERVEZ CES INSTRUCTIONS

SECTION 2. CONTENU DE L'EMBALLAGE

2.1 SFTM22-1.5

Déballer le produit et vérifiez le contenu. Si des pièces sont manquantes ou endommagées, veuillez appeler l'assistance à la clientèle au 1-800-822-7933.

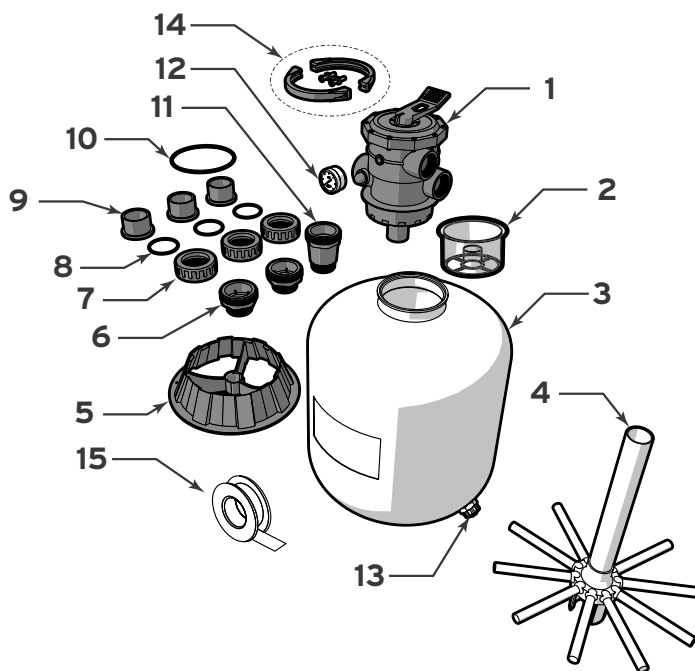
ARTICLE	DESCRIPTION	QTÉ
1	Valve multivoies (1,5 po)	1
2	Défecteur de sable	1
3	Réservoir de filtre	1
4	Ensemble d'axe d'embranchement	1
5	Embranchement	8
6	Base	1
7	Adaptateur de raccord union	1
8	Écrou de raccord	3
9	Joint torique de raccord union	3
10	Rallonge	3
11	Joint torique de valve	1
12	Manomètre	1
13	Valve d'évacuation	1
14	Bras de serrage	2
	Boulon de retenue	2
	Écrou de saisie	2
15	Ruban PTFE	1



2.2 SFTM24-2.0

Déballer le produit et vérifiez le contenu. Si des pièces sont manquantes ou endommagées, veuillez appeler l'assistance à la clientèle au 1-800-822-7933.

ARTICLE	DESCRIPTION	QTÉ
1	Valve multivoies (2 po)	1
2	Défecteur de sable	1
3	Réservoir de filtre	1
4	Ensemble d'axe et embranchement	1
5	Base	1
6	Adaptateur de raccord union	2
7	Écrou de raccord	3
8	Joint torique de raccord union	3
9	Rallonge	3
10	Joint torique de valve	1
11	Adaptateur de rallonge	1
12	Manomètre	1
13	Valve d'évacuation	1
14	Bras de serrage	2
	Boulon de retenue	2
	Écrou de saisie	2
15	Ruban PTFE	1



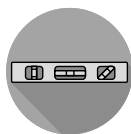
2.3 OUTILS/ÉQUIPEMENTS REQUIS

Cette liste d'équipements doit être mise à la disposition de l'installateur au moment de l'installation. Le fait de ne pas utiliser des équipements de sécurité et d'installation

adéquats pourrait entraîner des blessures ou des dommages matériels.



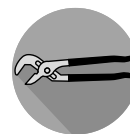
Lunettes de sécurité



Niveau



Petite pelle



Pincés multiprises



Gants



Tournevis à tête cruciforme



Coupe-tuyau en PVC



Adhésif à tuyau en PVC

SECTION 3. EMBLACEMENT DE L'ÉQUIPEMENT

Tous les composants du système de recirculation d'eau de piscine doivent être installés conformément aux normes et instructions en vigueur dans votre pays ou municipalité.

Il importe de tout mettre en œuvre pour assurer que l'équipement soit installé dans un endroit permettant de le faire fonctionner et l'entretenir en toute sécurité.

3.1 MASSIF

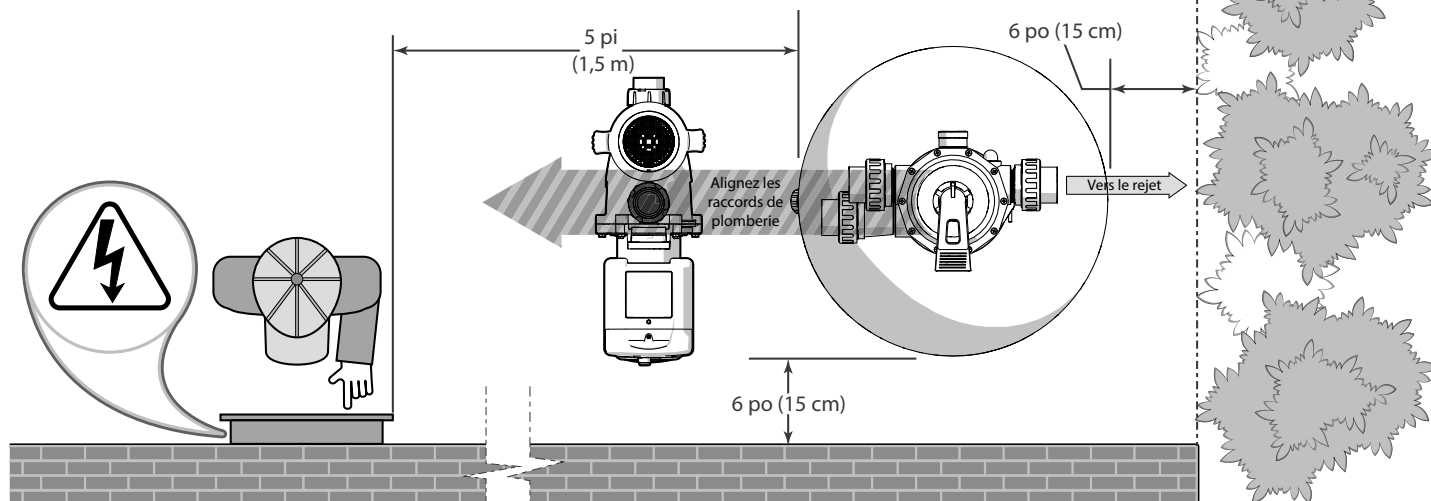
Le filtre et les principaux composants de votre système de recirculation d'eau de piscine doivent être installés sur une base prévue à cette fin, de niveau et capable de supporter le poids du filtre (voir Section 6), qui permettra l'utilisation de boulons d'ancrage pour fixer les équipements en place. Consultez les codes du bâtiment locaux pour toute exigence supplémentaire. Si possible, la zone du massif doit être :

- Sèche
- Bien ventilée
- Pourvue d'un drainage suffisant
- À l'abri des rayons directs du soleil
- Située à distance des avant-toits ou encorbellements, dans les endroits où des gouttières ne sont pas installées
- À distance des arbres en surplomb ou autres feuillages pouvant produire des débris et rebuts de toute sorte qui pourraient obstruer, bloquer ou perturber autrement le fonctionnement et l'entretien réguliers de l'équipement
- Aussi près que possible de la principale étendue d'eau. Les longueurs de tuyaux supplémentaires réduisent l'efficacité en raison du frottement dans les tuyaux

3.2 EMBLACEMENT DU FILTRE

Sur le massif, le filtre doit être positionné de manière à être :

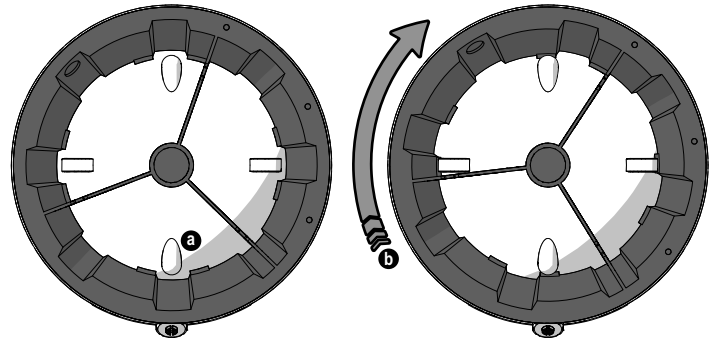
- De niveau
- À une distance d'au moins 6 pouces (15 cm) des murs et aménagements paysagers, afin de permettre l'entretien
- À une distance d'au moins 5 pieds (1,5 m) de toute entrée ou commande électrique.
- En ligne droite avec les autres équipements afin de minimiser les changements de direction dans la plomberie, qui peuvent diminuer l'efficacité
- Stable et non soumis à des mouvements



SECTION 4. CONFIGURATION INITIALE

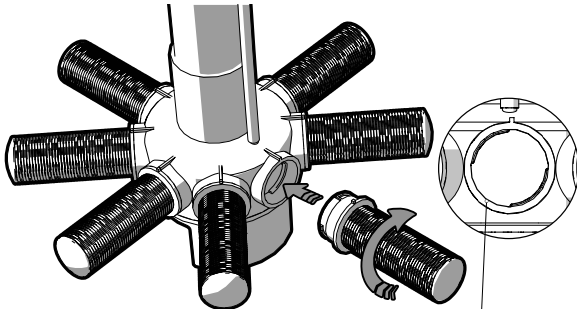
4.1 INSTALLATION DE LA BASE

1. Tournez le réservoir de filtre à l'envers.
 - a Positionnez la base de manière à ce que les nœuds de retenue soient entre les taquets de verrouillage.
 - b Tournez dans le sens horaire jusqu'à ce que les taquets de verrouillage reposent solidement sous les nœuds de retenue.



4.2 INSTALLATION DE L'AXE ET DES EMBRANCHEMENTS SFTM22-1.5

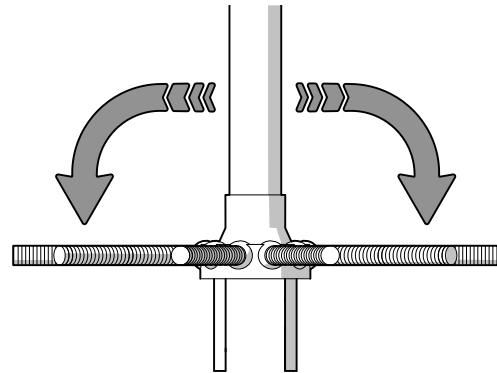
1. Inspectez les embranchements et l'ensemble d'axe d'embranchement pour vous assurer qu'ils ne présentent aucun dommage ou débris. Remplacez ou nettoyez-les, au besoin.
2. Insérez l'ensemble d'axe d'embranchement dans le réservoir de filtre.
3. Placez les mains dans le réservoir de filtre et installez chaque embranchement sur l'axe.
4. Chaque embranchement nécessite un quart de tour. Assurez-vous que les embranchements soient solides. **NE SERREZ PAS EXCESSIVEMENT.**



Alignez les taquets de l'embranchement avec les fentes dans l'axe. Fixez avec 1/4 de tour.

4.3 INSTALLATION DE L'AXE ET DES EMBRANCHEMENTS SFTM24-2.0

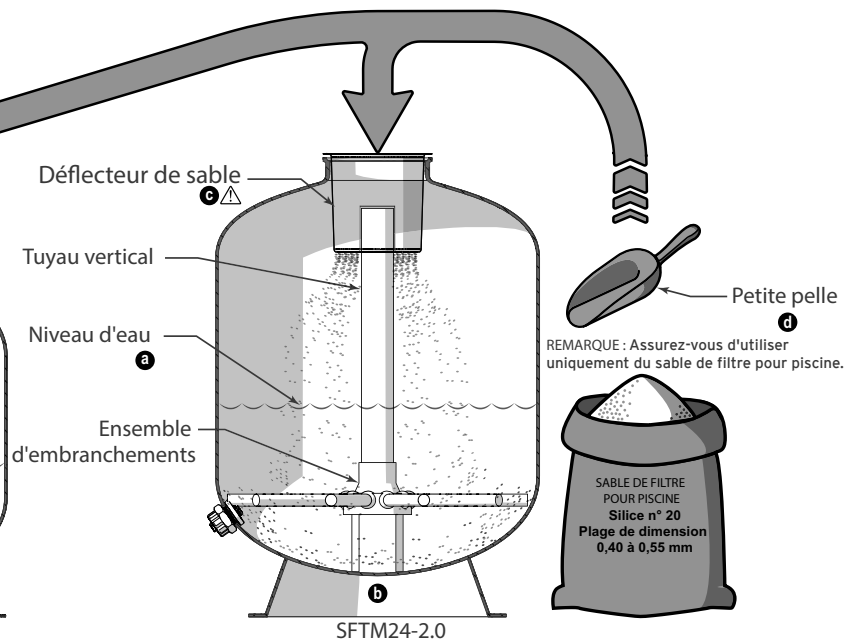
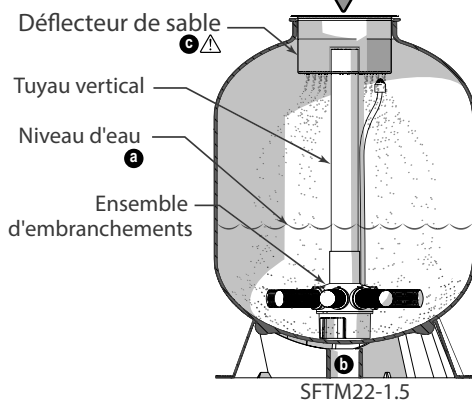
1. Inspectez les embranchements et l'ensemble d'axe d'embranchement pour vous assurer qu'ils ne présentent aucun dommage ou débris. Remplacez ou nettoyez-les, au besoin.
2. Insérez l'ensemble d'axe d'embranchement dans le réservoir de filtre.
3. Placez les mains dans le réservoir de filtre et allongez chaque embranchement en position complètement horizontale.



4.4 REMPLISSAGE DE SABLE

⚠ ATTENTION

Le déflecteur de sable doit être utilisé chaque fois qu'une matière filtrante est ajoutée dans le filtre. Le fait de ne pas utiliser le déflecteur de sable pourrait entraîner l'infiltration de matière filtrante dans la piscine et/ou un dysfonctionnement, des dommages ou une panne des composants du filtre.



SABLE DE FILTRE
POUR PISCINE
Silice n° 20
Plage de dimension
0,40 à 0,55 mm

Le type, la quantité et la propreté convenables de votre sable de filtre sont essentiels au bon fonctionnement et à la longévité de votre équipement.

Sable de silice n° 20 (pour l'utilisation avec filtre de piscine uniquement) Plage de dimension 0,40 à 0,55 mm		REMARQUE : Autre matière filtrante
Modèle	lb (kg)	Les directives des fabricants doivent être respectées pour toutes les autres matières filtrantes. L'utilisation d'une autre matière filtrante pourrait entraîner des résultats inattendus et annuler la garantie.
SFTM22-1.5	250 (113)	
SFTM24-2.0	300 (136)	

- Assurez-vous que le filtre soit de niveau sur le massif.
- Préparez le filtre pour le remplissage de sable.
 - a** Remplissez le filtre d'eau au tiers ou à la moitié (1/3 - 1/2) avant d'ajouter le sable.
 - Cela minimisera la pression exercée sur les embranchements pendant l'ajout de sable.

- b** Assurez-vous que le tuyau vertical repose dans le fond du réservoir de filtre.
- c** Installez le déflecteur du tuyau vertical en plastique transparent.
- Le déflecteur doit complètement recouvrir l'ouverture du tuyau.
- Portez une attention particulière pour éviter que le sable de filtre ne pénètre dans le tuyau vertical.
- d** En utilisant une petite pelle, ajoutez lentement le sable dans le filtre, en le nivelant.
- Assurez-vous de permettre au déflecteur du tuyau vertical de se vider complètement entre chaque pelletée pour éviter un déversement.

Lorsque tout le sable de filtre est ajouté :

- Retirez le déflecteur du tuyau vertical et rangez-le pour une utilisation ultérieure.

4.5 ASSEMBLAGE DE LA VALVE MULTIVOIES

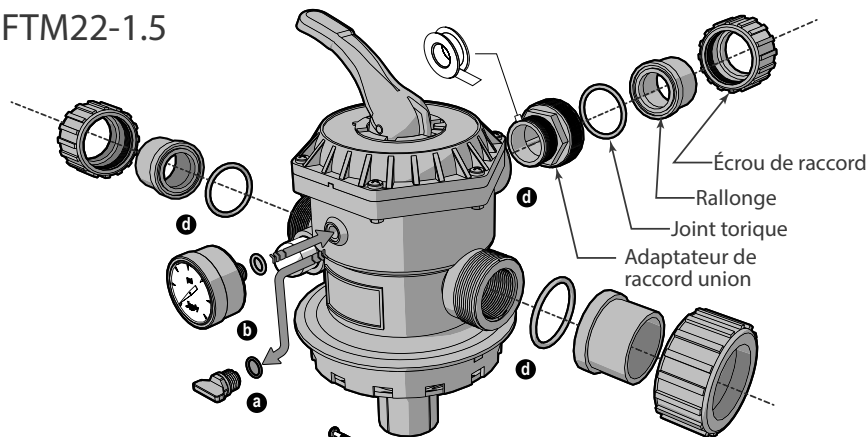
- Installez le manomètre.
 - a** Retirez le bouchon de la prise du manomètre.
 - b** Installez le manomètre.
 - Vissez-le solidement en place. **NE SERREZ PAS EXCESSIVEMENT.**
 - Si possible, orientez le manomètre de manière à ce qu'il soit aligné à l'horizontale. Vous pouvez utiliser le ruban de Téflon® fourni pour aider à obtenir l'orientation et l'ajustement convenables.
 - c** Si possible, orientez le manomètre de manière à ce qu'il soit bien visible pour la lecture et perpendiculaire au niveau du sol.
 - d** Installez les raccords unions sur les orifices de pompe, retour et rejet du filtre.
- Le SFTM22-1.5 utilise un adaptateur de raccord union uniquement pour l'orifice de rejet.
- Le SFTM24-2.0 utilise des adaptateurs de raccord union pour les orifices de rejet et retour. L'adaptateur de rallonge est utilisé au niveau de l'orifice de pompe.
- Appliquez 4 à 6 enroulements de ruban PTFE (pour plomberie) sur chaque adaptateur de raccord union installé au niveau de la valve multivoies. Installez uniquement du ruban PTFE (pour plomberie) sur les filetages d'adaptateur au niveau des orifices de la valve.
- N'utilisez pas de ruban PTFE (pour plomberie) sur les filetages d'écrou de raccord.

⚠ AVERTISSEMENT

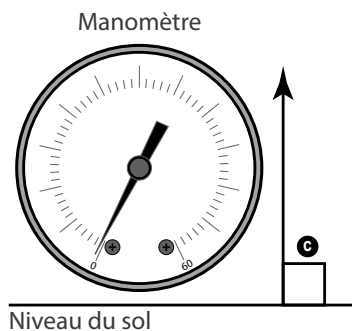
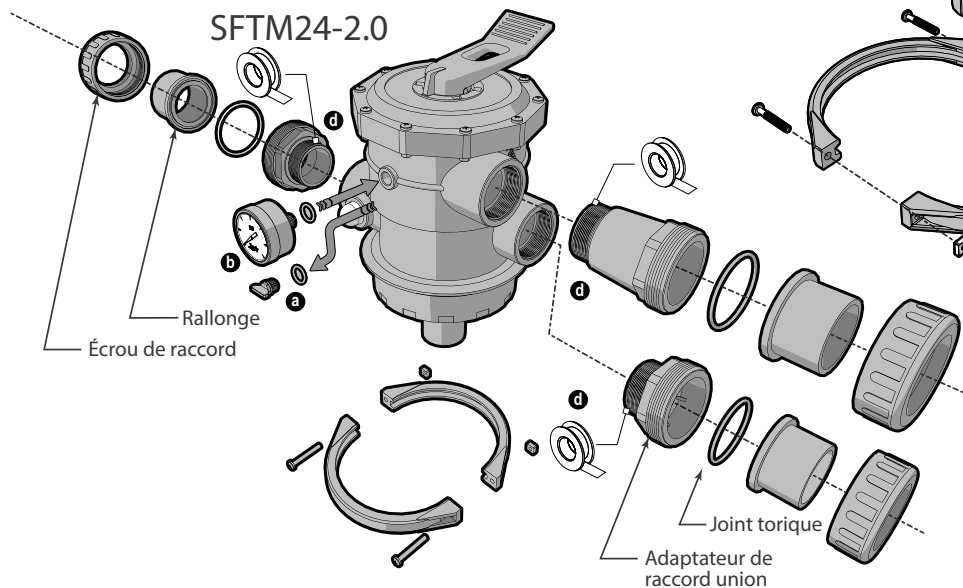
Le ciment PVC et l'apprêt peuvent produire des vapeurs dangereuses pour votre santé. Utilisez un ciment PVC pour joindre des tuyaux uniquement dans un endroit bien ventilé, où les vapeurs ne peuvent pas s'accumuler.

N'utilisez JAMAIS la pâte lubrifiante sur les filetages en plastique. La pâte lubrifiante aurait pour effet de fortement fragiliser le plastique, entraînant des fuites et risquant de rompre le plastique. **NE SERREZ PAS EXCESSIVEMENT**

SFTM22-1.5

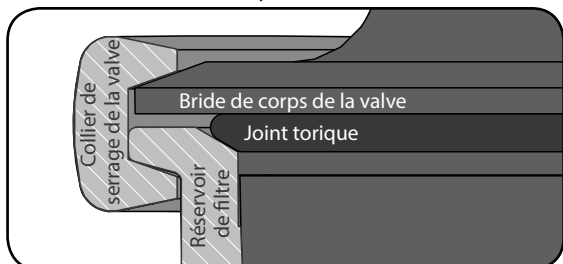


SFTM24-2.0

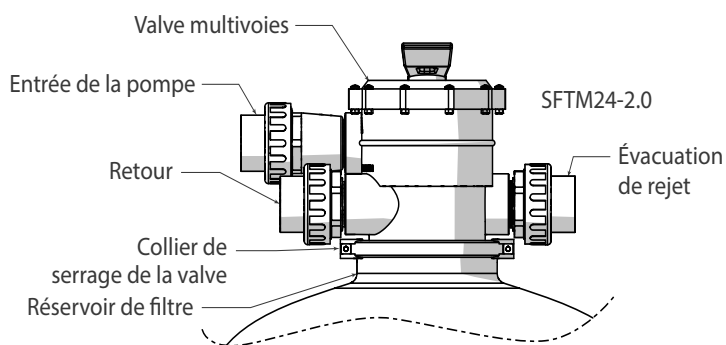
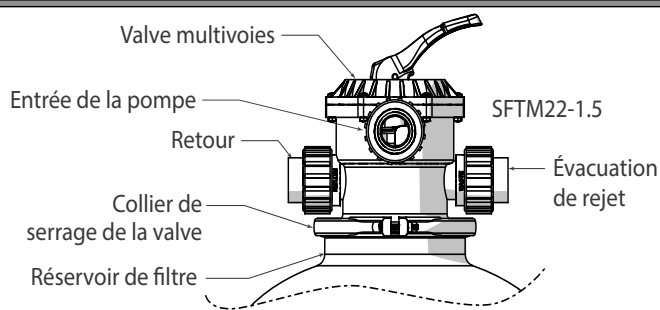


4.6 INSTALLATION DE LA VALVE MULTIVOIES

1. Retournez l'ensemble de valve à l'envers. Installez le joint torique de valve/réservoir de manière à ce qu'il repose sous la bride de corps de la valve.
2. Placez la valve sur le réservoir de filtre avec le tuyau vertical fixé dans l'orifice central du corps de la valve multivoies.
3. Assurez-vous que les orifices de pompe et retour soient orientés de manière à minimiser les coudes et/ou joints dans la plomberie.
4. Positionnez le collier de serrage de la valve de manière à ce qu'il saisisse la bride de corps de la valve et le réservoir de filtre.



5. Positionnez le collier de serrage de la valve multivoies de manière à ce que les boulons soient accessibles après le raccordement du filtre.
6. Utilisez un tournevis à tête cruciforme pour fixer le collier de serrage.
7. Alternez le serrage du collier de serrage de la valve d'un côté à l'autre.

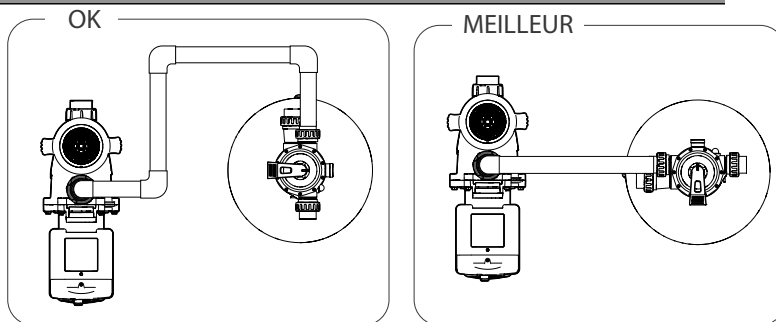


8. Ne serrez pas le collier de serrage excessivement.

4.7 PLOMBERIE

Assurez-vous que tous les raccordements de plomberie soient conformes aux codes de plomberie et bâtiment locaux.

1. En utilisant un adhésif à tuyau approprié, raccordez le filtre au système de recirculation d'eau de piscine.
2. Raccordez la conduite de refoulement de la pompe à l'orifice de pompe de la valve multivoies.
3. Raccordez la conduite de retour à l'orifice de retour de la valve multivoies.
4. Raccordez la conduite de rejet à l'orifice de rejet de la valve multivoies.
5. Raccordez les tuyaux en utilisant les raccords unions fournis avec le filtre. N'utilisez pas de ruban PTFE (pour plomberie) ou de pâte lubrifiante sur les écrous de raccord. Assemblez les raccords unions à sec et serrez à la main.



6. Les adaptateurs de tuyauterie du SFTM22-1.5 sont dimensionnés pour un tuyau en PVC de 1.1/2 po; les adaptateurs de tuyauterie du SFTM24-2.0, pour un tuyau en PVC de 2 po. Pour réduire la perte de pression, une tuyauterie de 2 po (minimum) est recommandée.

SECTION 5. FONCTIONNEMENT

Ce filtre fonctionne sous pression. Lorsqu'il est correctement fixé et utilisé sans présence d'air dans le système d'alimentation en eau, ce filtre fonctionne de manière sécuritaire. Tous les raccordements de plomberie doivent

être conformes aux codes de plomberie et bâtiment locaux.

N'utilisez pas de mastic pour joints de tuyaux, de colle ou de solvant sur les filetages d'écrou de raccord.

5.1 FONCTIONS DE LA VALVE DU FILTRE

Vous devez éteindre la pompe à filtre avant d'effectuer des réglages sur la valve multivoies. Lorsque vous démarrez la pompe après avoir effectué des réglages sur la valve, assurez-vous de vous tenir à distance du filtre. Veillez à ce que toutes les dispositions pour l'évacuation des eaux usées respectent les codes locaux, provinciaux ou nationaux.

Réglez la poignée de la valve à :

- **FILTER** (Filtre): L'eau circule dans le sable de filtre et retourne dans la piscine. Il s'agit du réglage pour le fonctionnement de filtration normal. La valve multivoies doit être à cette position pour tous les systèmes de circulation typiques de filtration et d'assainissement.
- **WASTE** (Rejet): L'eau contourne le sable de filtre pour être acheminée à l'orifice de rejet.
- **RECIRCULATE** (Recirculation): L'eau contourne le sable de filtre pour être retournée à la piscine.

- **CLOSED** (Fermeture): Fermeture de tous les passages dans la valve multivoies.
- **WINTER** (Hiver): Cette position laisse la poignée de la valve multivoies désengagée et tous les passages dans la valve ouverts pour l'évacuation. Une fois le filtre vidangé, il est recommandé de laisser la valve à la position Winter (Hiver).
- **BACKWASH** (Lavage à contre-courant): L'eau circule dans le sable de filtre en sens inverse pour être envoyée à l'orifice de rejet. Pendant que la pompe fonctionne, vérifiez périodiquement la clarté de l'eau dans le voyant. Lorsque l'eau est visiblement claire, le cycle de lavage à contre-courant est terminé.
- **RINSE** (Rinçage): L'eau circule dans le sable de filtre pour être rejetée. Utilisez ce réglage après le cycle de lavage à contre-courant pour nettoyer les débris de la valve multivoies. Le rinçage doit durer de 1 à 2 minutes.

5.2 DÉMARRAGE INITIAL

1. Assurez-vous que tous les raccordements sont solides et que tous les raccordements ou joints de tuyauterie collés ont eu suffisamment de temps pour durcir.
2. Effectuez un lavage à contre-courant avec le sable de filtre.
 - Réglez la valve multivoies à la position de lavage à contre-courant.
3. Mettez la pompe à filtre en marche.
 - L'eau sera évacuée par l'orifice de rejet.
 - Pendant que la pompe fonctionne, vérifiez périodiquement la clarté de l'eau dans le voyant ou au niveau de l'orifice de rejet.
 - Lorsque l'eau est visiblement claire, le cycle de lavage à contre-courant est terminé.
 - Voir « 5.1 Fonctions de la valve du filtre » à la page 24 pour plus de détails.
4. Éteignez la pompe à filtre.
5. Réglez la valve à la position de rinçage.
6. Tenez-vous à distance du filtre et mettez la pompe à filtre en marche.
 - L'eau sera évacuée par l'orifice de rejet.
7. Laissez le filtre fonctionner pendant 1 à 2 minutes.
8. Éteignez la pompe à filtre.
9. Réglez la valve multivoies à la position de filtre.
10. Tenez-vous à distance du filtre.
11. Mettez la pompe à filtre en marche et laissez-la fonctionner normalement.
 - L'eau sera évacuée vers la piscine par l'orifice de retour.
 - Prenez la lecture de pression à l'aide du manomètre pendant que la pompe à filtre fonctionne à la vitesse de filtration tr/min typique.
 - Réglez l'indicateur « propre » du manomètre à la pression de filtration psi.

5.3 PRESSION DE FONCTIONNEMENT

AVERTISSEMENT



LA PRESSION DE FONCTIONNEMENT MAXIMALE DU FILTRE EST DE 35 PSI. NE SOUMETTEZ JAMAIS LE FILTRE À UNE PRESSION DE FONCTIONNEMENT DÉPASSANT 35 PSI

- Ne raccordez pas le système à un système d'alimentation en eau urbain non réglementé ou à une autre source externe d'eau sous pression générant des pressions supérieures à 35 psi.
- Ce filtre fonctionne sous haute pression. Lors de l'entretien d'une partie quelconque du système de circulation, c'est-à-dire filtre, pompe, valve(s), etc., l'air peut pénétrer dans le système et devenir sous pression lorsque le système est redémarré.
- L'air sous pression dans un système risque de provoquer une panne du produit ou une ouverture explosive de la valve sélectrice, pouvant entraîner la mort, des blessures graves ou des dommages matériels.
- Pour réduire les risques de blessures graves ou mortelles, le filtre et/ou la pompe ne doivent pas être soumis à l'essai de mise sous pression de la

tuyauterie. Les codes locaux peuvent exiger un essai de mise sous pression du système de tuyauterie de la piscine. Ces exigences ne s'appliquent généralement pas aux équipements de piscine tels que les filtres ou les pompes. L'équipement de piscine Jandy a fait l'objet d'un essai de mise sous pression en usine.

Toutefois, si cet **AVERTISSEMENT** ne peut pas être respecté et que l'essai de mise sous pression du système de tuyauterie doit inclure le filtre et/ou la pompe, **ASSUREZ-VOUS DE VOUS CONFORMER AUX CONSIGNES DE SÉCURITÉ SUIVANTES.**

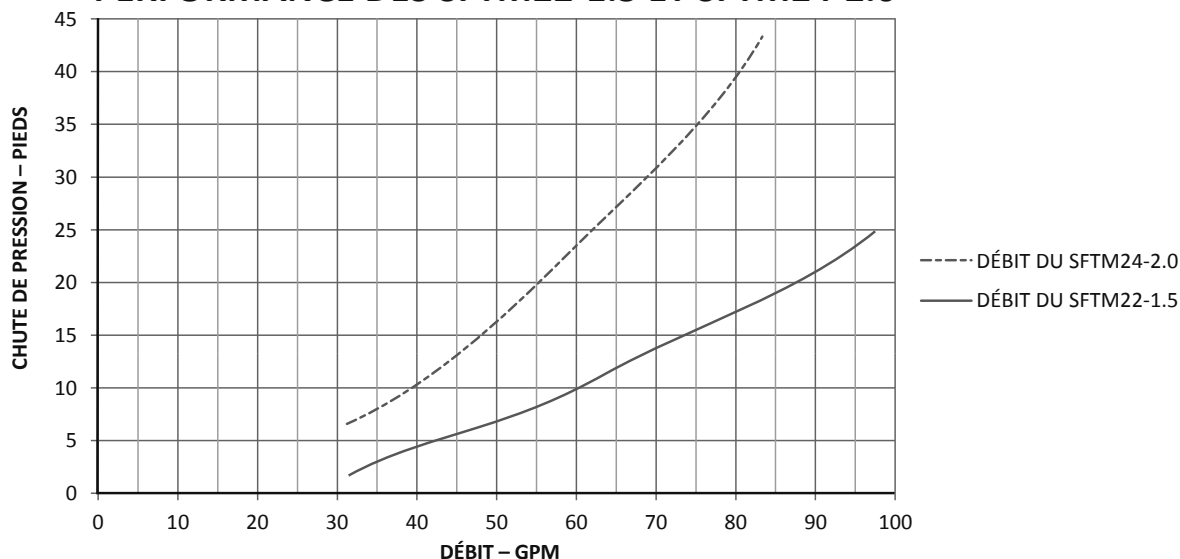
- Vérifiez que l'ensemble des brides, boulons, couvercles, bagues de retenue et accessoires du système sont correctement installés et fixés avant d'effectuer un essai.
- **ÉVACUEZ TOUT L'AIR** du système avant d'effectuer un essai.
- La pression d'eau pour l'essai ne doit **PAS DÉPASSER 35 PSI**
- La température de l'eau pour l'essai ne doit **PAS DÉPASSER 100 °F (38 °C)**.
- Limitez l'essai à 24 heures. Après l'essai, vérifiez visuellement le système pour vous assurer qu'il est prêt à fonctionner.

AVIS : Ces paramètres s'appliquent uniquement à l'équipement Jandy. Pour un équipement qui n'est pas fabriqué par Jandy, consultez le fabricant.

Le filtre est conçu pour fonctionner efficacement selon la courbe de performance indiquée ci-dessous. Le filtre ne doit en aucun moment être soumis à des pressions internes supérieures à 50 psi.

1. Après le démarrage initial, faites fonctionner la pompe à filtre pendant plusieurs minutes.
2. Notez la pression de fonctionnement et réglez l'indicateur « propre » sur le cadran du manomètre à la pression de filtration psi.
3. Vérifiez la pression de fonctionnement régulièrement, au moins une fois par semaine.
4. Une procédure de lavage à contre-courant est requise lorsque la pression indiquée est constamment 10 psi supérieure à la pression du démarrage initial; **NE DÉPASSEZ PAS 35 PSI.**
5. Suivez les procédures de lavage à contre-courant et de rinçage. Voir « 5.1 Fonctions de la valve du filtre » à la page 24 et « 5.2 Démarrage initial » à la page 25.
6. Après le lavage à contre-courant du filtre, si vous n'êtes pas en mesure de réduire suffisamment la pression pour assurer des pressions de fonctionnement inférieures à 35psi, vous devez remplacer le sable de filtre.

PERFORMANCE DES SFTM22-1.5 ET SFTM24-2.0



5.4 REMPLACEMENT DU SABLE DE FILTRE

Le sable de filtre devra être retiré par l'ouverture de la valve multivoies.

1. Desserrez les boulons du collier de serrage.
2. Retirez le collier de serrage.
3. Retirez la valve multivoies.
4. Utilisez un aspirateur pour surfaces sèches/humides ou un appareil d'aspiration semblable pour aspirer l'ancien sable du réservoir de filtre.

5. Laissez suffisamment d'eau dans le réservoir de filtre pour que le sable demeure dans un état de « boue » semi-liquide.
6. Suivez les étapes de « 4.4 Remplissage de sable » à la page 22 pour remplacer le sable dans le filtre.

⚠ AVERTISSEMENT

Assurez-vous de mettre au rebut le sable de filtre de manière appropriée. Le sable de filtre utilisé n'est pas approprié pour le contact avec les humains ou animaux.

5.5 HIVERISATION

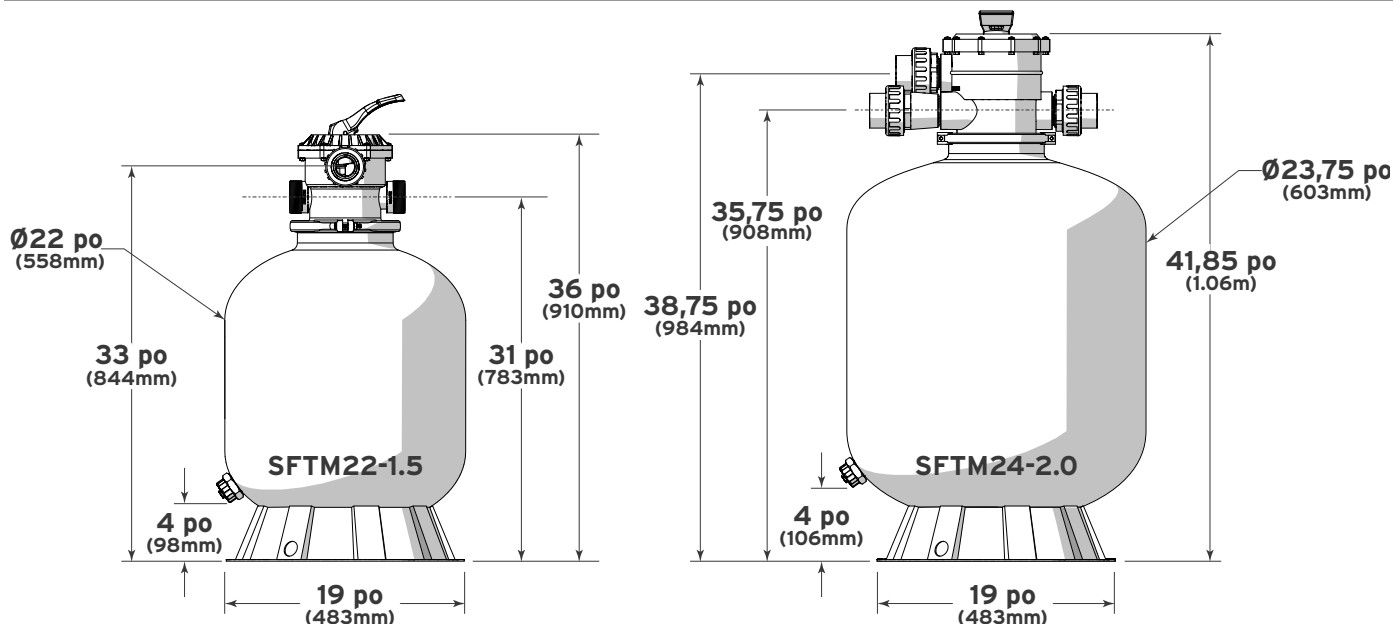
Éteignez la pompe.

1. Réglez la valve multivoies à la position « Winter » (« Hiver »).
2. Retirez tous les bouchons de vidange du filtre.

3. Ventilez le filtre en retirant le manomètre ou en déconnectant l'un des raccords unions.
4. Vidangez la tuyauterie du système de toute l'eau.
5. Recouvrez le système avec une bâche ou une toile en plastique pour le protéger des intempéries.

SECTION 6. DIMENSIONS ET PIÈCES DE RECHANGE

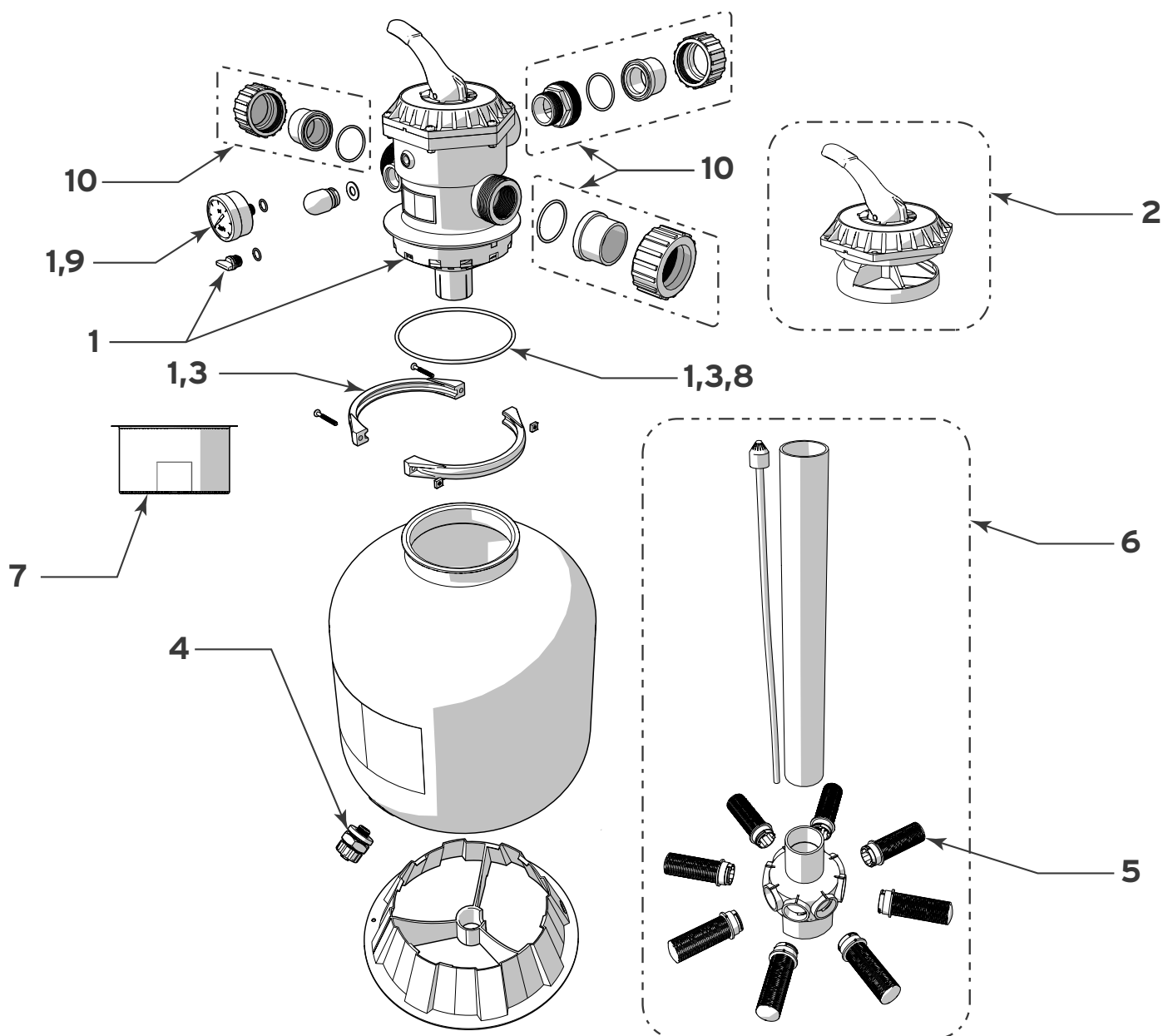
6.1 DIMENSIONS APPROXIMATIVES



6.2 PIÈCES DE RECHANGE

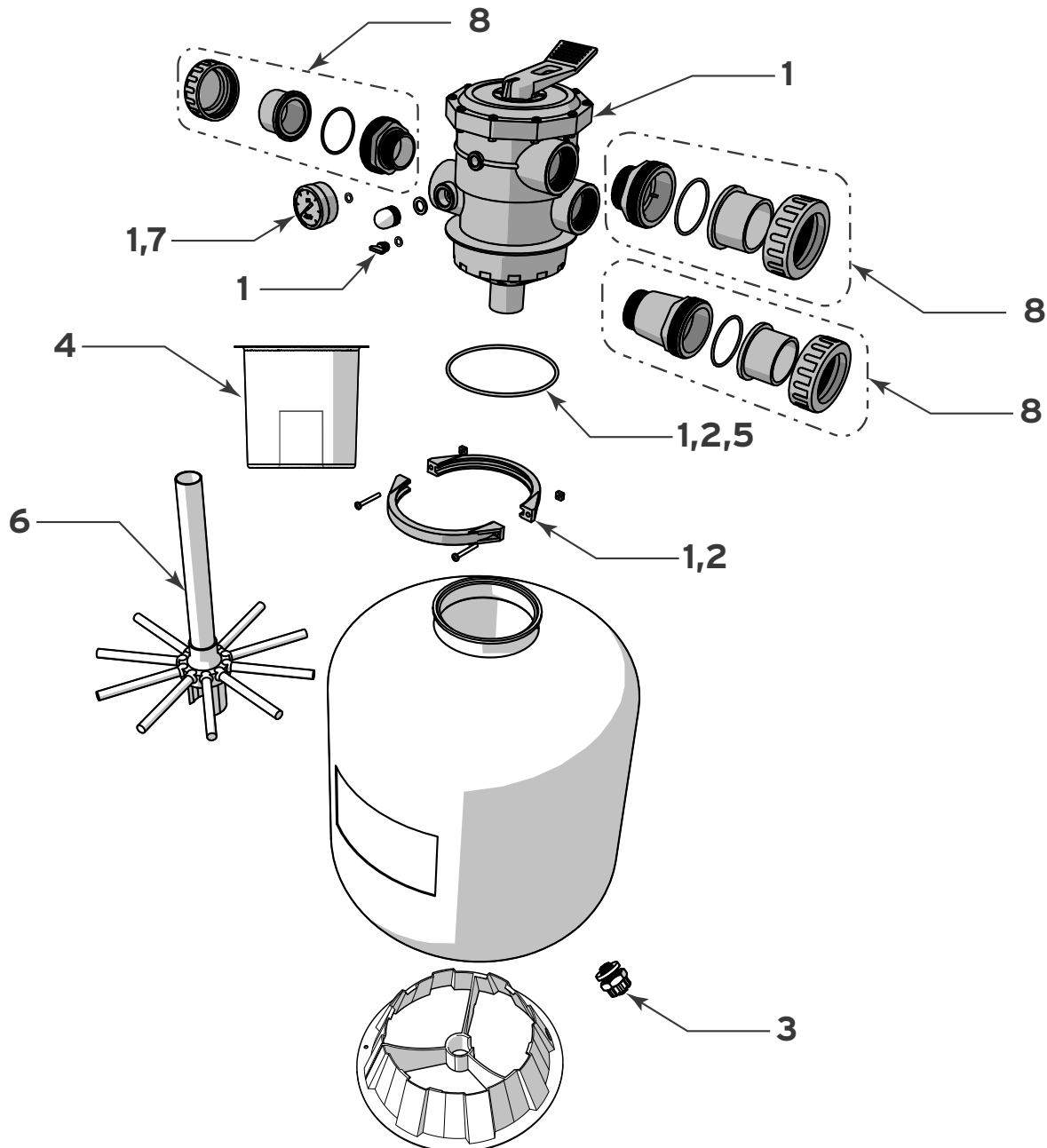
6.2.1 SFTM22-1.5

ARTICLE	Pièce n°	Description	QTÉ
1	R0744600	Ensemble complet de valve multivoies avec collier de serrage (1,5 po MPV)	1
2	R0744700	Ensemble de rotor supérieur	1
3	R0745100	Ensemble de bride de serrage	1
4	R0745200	Capuchon d'évacuation et joint torique	1
5	R0745300	Embranchement (ensemble complet)	8
6	R0745400	Ensemble d'embranchement et tuyau vertical	1
7	R0745500	Défecteur de sable	1
8	R0745800	Joint torique de valve de réservoir	1
9	R0745000	Ensemble de manomètre	1
10	R0745600	Ensemble complet de raccords unions de 1,5 po	3



6.2.2 SFTM24-2.0

ARTICLE	Pièce n°	Description	QTÉ
1	R0745700	Ensemble complet de valve multivoies avec collier de serrage (2 po MPV)	1
2	R0745100	Ensemble de bride de serrage	1
3	R0745200	Capuchon d'évacuation et joint torique	1
4	R0746100	Défecteur de sable	1
5	R0745800	Joint torique, valve/réservoir	1
6	R0746000	Ensemble d'embranchement et tuyau vertical	1
7	R0745000	Ensemble de manomètre	1
8	R0746200	Ensemble complet de raccords unions de 2 po avec adaptateur	1



REMARQUES

REMARQUES

REMARQUES

Zodiac Pool Systems, Inc.

2620 Commerce Way, Vista, CA 92081

1.800.822.7933 | www.jandy.com

Zodiac Pool Systems Canada, Inc.

2115 South Service Road West, Unit 3

Oakville, ON L6L 5W2

1.888.647.4004 | www.ZodiacPoolSystems.ca

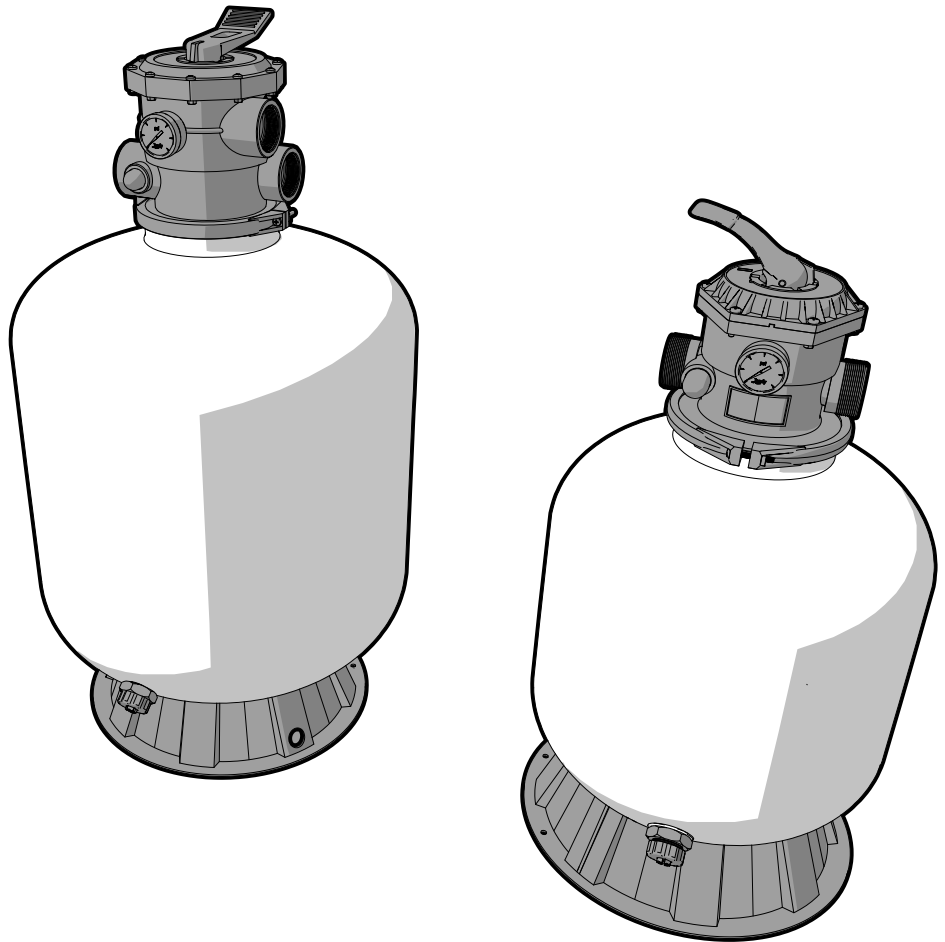
ZODIAC® est une marque de commerce déposée de Zodiac International, S.A.S.U., utilisée sous licence. Toutes les autres marques de commerce citées dans le présent document appartiennent à leurs propriétaires respectifs.

©2016 Zodiac Pool Systems, Inc. H0579200_REVD



MANUAL DE INSTALACIÓN Y USO

ENGLISH | FRANÇAIS | ESPAÑOL



Filtro de arena de montaje superior Modelos SFTM22-1.5, SFTM24-2.0

⚠ ADVERTENCIA

POR SU SEGURIDAD - Este producto debe ser instalado y mantenido por un contratista con la licencia y la capacitación necesarias para trabajar con equipos para piscinas otorgadas por la jurisdicción donde se instalará el producto en caso de que existan tales requisitos estatales o locales. La persona que realice la instalación o el mantenimiento debe ser un profesional con experiencia suficiente en la instalación y el mantenimiento de equipos para piscinas de tal manera que pueda seguir al pie de la letra todas las instrucciones de este manual. Una instalación y/o un uso inadecuados pueden generar una presión elevada peligrosa que puede causar una falla catastrófica del producto y/o hacer que la válvula multipuerto explote y posiblemente cause muerte, lesiones graves o daños a la propiedad.

Antes de instalar este producto, lea y siga todas las instrucciones y preste atención a las advertencias en el manual adjunto. No prestar la debida atención a las advertencias y las instrucciones puede ocasionar daños a la propiedad, lesiones personales e incluso la muerte. Llame al servicio de atención al cliente de Zodiac al 1-800-822-7933 para obtener ayuda. La instalación y/o la operación incorrectas serán causa de anulación de la garantía.

Índice

Sección 1. Instrucciones de seguridad importantes	35
Sección 2. Contenido del embalaje	36
2.1 SFTM22-1.5	36
2.2 SFTM24-2.0	36
2.3 Herramientas/Equipos necesarios	37
Sección 3. Ubicación del equipo	37
3.1 Base del equipo.....	37
3.2 Ubicación del filtro	37
Sección 4. Configuración inicial	38
4.1 Instalación de la base.....	38
4.2 Instalación del núcleo y los laterales SFTM22-1.5.....	38
4.3 Instalación del núcleo y los laterales SFTM24-2.0.....	38
4.4 Llenado con arena.....	38
4.5 Ensamblaje de la válvula multipuerto.....	39
4.6 Instalación de la válvula multipuerto	40
4.7 Conexiones	40
Sección 5. Operación	40
5.1 Funciones de la válvula de filtración	40
5.2 Arranque inicial.....	41
5.3 Presión de operación	41
5.4 Reemplazo de la arena del filtro.....	42
5.5 Guardado durante el invierno.....	42
Sección 6. Dimensiones y piezas de repuesto	42
6.1 Dimensiones aproximadas.....	42
6.2 Piezas de repuesto.....	43

SECCIÓN 1. INSTRUCCIONES DE SEGURIDAD IMPORTANTES

LEA Y SIGA TODAS LAS INSTRUCCIONES

ADVERTENCIA



LA PRESIÓN DE OPERACIÓN MÁXIMA DEL FILTRO ES 35 PSI. NUNCA SOMETA EL FILTRO A UNA PRESIÓN DE OPERACIÓN QUE SUPERE LOS 35 PSI.

- No conecte el sistema a un sistema de agua sin regular o a cualquier otra fuente externa de agua presurizada que genere presiones superiores a los 35 PSI.
- Este filtro funciona bajo presión elevada. Cuando se realiza el mantenimiento de una parte del sistema de circulación, como el filtro, la bomba, las válvulas, etc., es posible que entre aire en el sistema y que el sistema se presurice al reiniciarlo.
- El aire presurizado en el sistema puede hacer que el sistema falle o que la válvula del dial explote, lo cual puede ocasionar muerte, graves lesiones físicas o daños a la propiedad.

- Para minimizar el riesgo de sufrir lesiones graves o la muerte, el filtro y/o la bomba no deben someterse a una prueba de presurización de tuberías. Los códigos locales pueden exigir que el sistema de tuberías de la piscina se someta a una prueba de presión. Estos requisitos generalmente no se aplican al equipo de la piscina, como filtros o bombas. El equipo de la piscina Jandy es sometido a una prueba de presión en la fábrica.

Sin embargo, si no es posible respetar la **ADVERTENCIA** y la prueba de presión del sistema de tuberías debe incluir el filtro y/o la bomba, **ASEGÚRESE DE CUMPLIR CON LAS SIGUIENTES INSTRUCCIONES DE SEGURIDAD:**

- Revise todas las abrazaderas, los pernos, las tapas, los dispositivos de bloqueo y los accesorios del sistema y asegúrese de que estén bien instalados y colocados antes de realizar la prueba.
- LIBERE TODO EL AIRE en el sistema antes de realizar la prueba.
- La presión de agua para realizar la prueba **NO DEBE SUPERAR LOS 35 PSI.**
- La temperatura del agua para realizar la prueba **NO DEBE SUPERAR LOS 100 °F (38 °C).**
- Limite la prueba a 24 horas. Después de la prueba, realice una inspección visual del sistema y asegúrese de que está listo para funcionar.

AVISO: Estos parámetros se aplican solo al equipo Jandy. En el caso de equipos que no sean Jandy, consulte al fabricante del equipo.

Para evitar el riesgo de descarga eléctrica, que puede causar lesiones graves o la muerte:

- Asegúrese de que todo el suministro de electricidad al sistema esté cortado antes de acercarse, inspeccionar o identificar y solucionar problemas en cualquier válvula o cañería que presente una fuga y que podría hacer que otros dispositivos eléctricos en el área circundante se mojen.
- La descarga desde un filtro o válvula indebidamente posicionados puede crear un riesgo de descarga eléctrica que puede causar la muerte, lesiones graves o daños a la propiedad.
- La instalación inadecuada de la válvula del dial puede hacer que el producto falle o que la válvula del dial explote, lo cual puede ocasionar la muerte, graves lesiones físicas o daños a la propiedad.
- No intente nunca ajustar ni quitar la válvula del dial cuando la bomba está en funcionamiento o cuando hay presión en el sistema. Esto puede hacer que el producto falle o puede hacer que el dial del filtro explote, lo cual puede ocasionar la muerte, graves lesiones físicas o daños a la propiedad.

ADVERTENCIA

- Mantenga su medidor de presión en buen estado de operación. El medidor de presión es el principal indicador de cómo funciona el filtro.
- Crear niveles de vacío elevados puede hacer que el tanque se raje y pierda, con el potencial de dañar la propiedad.
- Asegúrese de que todas las disposiciones para desechar el agua residual cumplan con los códigos locales, provinciales o nacionales. Durante el proceso de retrolavado o drenaje, se descargarán 100 galones o más de agua. No descargue el agua en un lugar que podría inundarse o dañarse.
- Para evitar dañar los laterales (rayos), agregue lentamente el medio de filtro hasta que los laterales estén totalmente cubiertos. Consulte el Manual de Instalación y Uso para obtener instrucciones completas de llenado de arena. Los laterales agrietados o rotos (rayos) harán que la arena se descargue a la piscina.



Atención instalador: Este manual contiene información importante acerca de la instalación, el funcionamiento y el uso seguro de este producto. Esta información debe entregarse al dueño/operador de este producto.

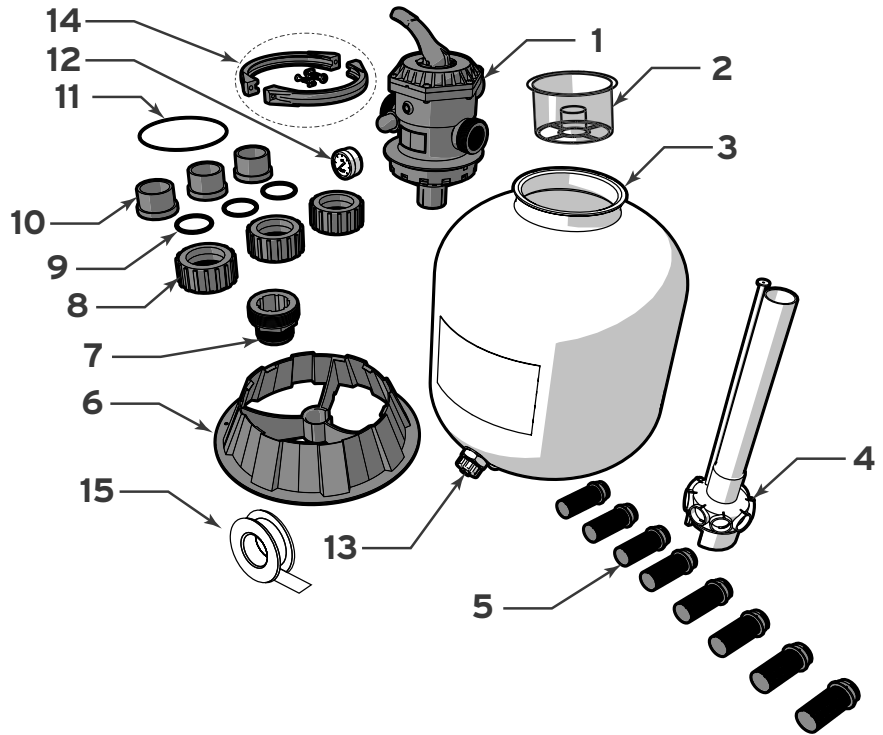
GUARDE ESTAS INSTRUCCIONES

SECCIÓN 2. CONTENIDO DEL EMBALAJE

2.1 SFTM22-1.5

Desembale y verifique el contenido. Si faltan piezas o están dañadas, llame a Atención al Cliente al 1-800-822-7933.

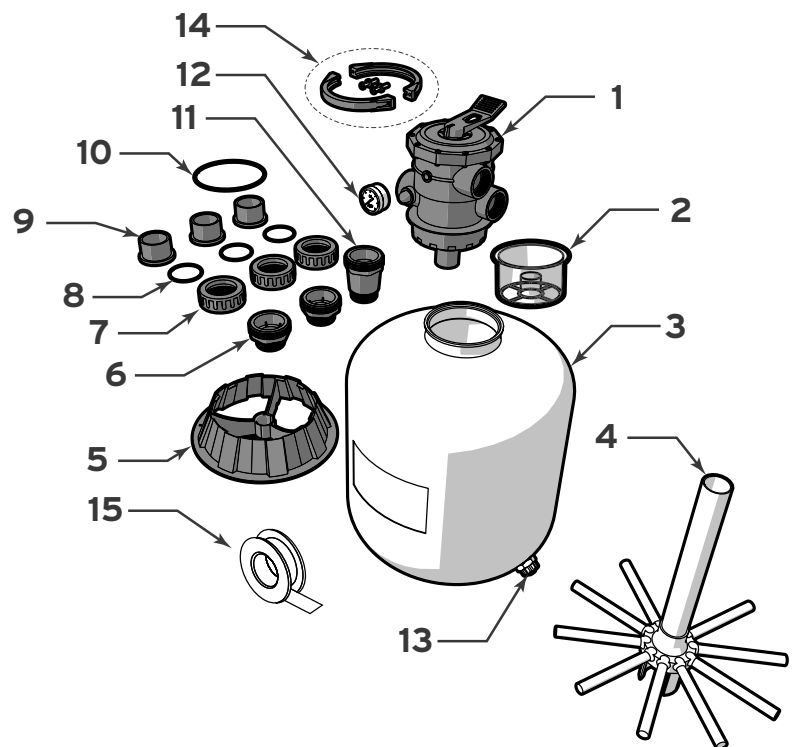
ELEMENTO	DESCRIPCIÓN	CANTIDAD
1	Válvula multipuerto (1,5")	1
2	Deflector de arena	1
3	Tanque de filtración	1
4	Ensamblaje del núcleo lateral	1
5	Lateral	8
6	Base	1
7	Adaptador de unión	1
8	Tuerca de unión	3
9	Junta tórica de unión	3
10	Pieza de cola	3
11	Junta tórica de la válvula	1
12	Medidor de presión	1
13	Válvula de drenaje	1
14	Brazo de apriete	2
	Perno de sujeción	2
	Tuerca de captura	2
15	Cinta PTFE	1



2.2 SFTM24-2.0

Desembale y verifique el contenido. Si faltan piezas o están dañadas, llame a Atención al Cliente al 1-800-822-7933.

ELEMENTO	DESCRIPCIÓN	CANTIDAD
1	Válvula multipuerto (2")	1
2	Deflector de arena	1
3	Tanque de filtración	1
4	Ensamblaje del núcleo y lateral	1
5	Base	1
6	Adaptador de unión	2
7	Tuerca de unión	3
8	Junta tórica de unión	3
9	Pieza de cola	3
10	Junta tórica de la válvula	1
11	Adaptador de extensión	1
12	Medidor de presión	1
13	Válvula de drenaje	1
14	Brazo de apriete	2
	Perno de sujeción	2
	Tuerca de captura	2
15	Cinta PTFE	1



2.3 HERRAMIENTAS/EQUIPOS NECESARIOS

El instalador debe tener a su disposición los equipos de la siguiente lista al momento de la instalación. No usar

los equipos de instalación y seguridad apropiados podría ocasionar lesiones personales o daños a la propiedad.



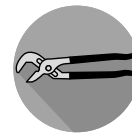
Gafas de seguridad



Nivel



Cuchara



Pinza ajustable



Guantes



Destornillador, cabezal Phillips



Cortador de PVC



Adhesivo para tubos de PVC

SECCIÓN 3. UBICACIÓN DEL EQUIPO

Todos los componentes del sistema de recirculación de agua de la piscina se deben instalar de conformidad con los estándares e instrucciones vigentes en su condado o municipio. Se deben tomar todos los recaudos para

garantizar que el equipo se encuentre en una ubicación tal que pueda ser manejado y mantenido de forma segura.

3.1 BASE DEL EQUIPO

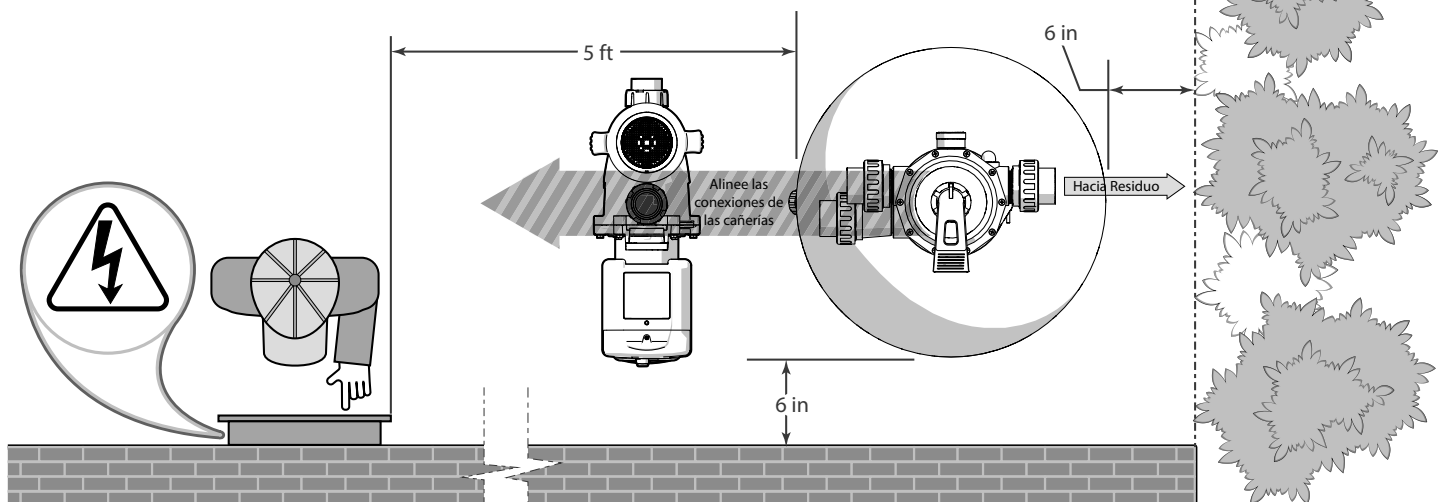
El filtro y los demás componentes principales de su sistema de recirculación de agua de la piscina se deben instalar en una base nivelada y preparada, capaz de soportar el peso del filtro (consulte Sección 6) y de permitir el uso de tornillos de anclaje para asegurar el equipo en su lugar. Verifique los códigos de construcción locales para conocer requisitos adicionales. Si es posible, el área de la base del equipo debe reunir las siguientes condiciones:

- Estar seca
- Tener buena ventilación
- Tener drenaje suficiente
- Estar protegida del sol directo
- Estar lejos de aleros o salientes que no posean canaletas para la lluvia
- Estar lejos de árboles u otro follaje que pueda generar desechos o suciedad de cualquier clase que pudiera atascar, bloquear o interrumpir de otra forma el funcionamiento y mantenimiento regular del equipo.
- Estar lo más cerca posible de la fuente de agua principal. La longitud adicional de las tuberías reduce la eficiencia debido a la fricción de las tuberías

3.2 UBICACIÓN DEL FILTRO

En la base del equipo, el filtro debe colocarse de manera tal que esté:

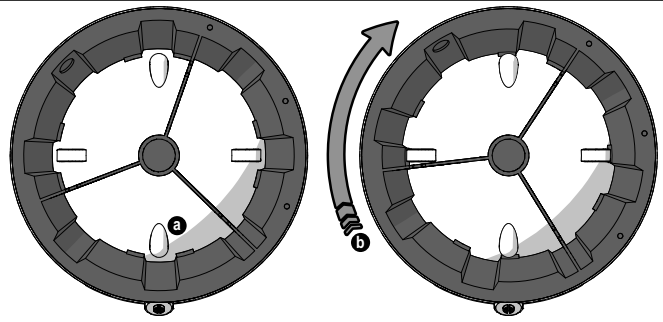
- Nivel
- A al menos 6 pulgadas de distancia de paredes y elementos de paisajismo para realizar el mantenimiento.
- A al menos 5 pulgadas de cualquier control o entrada de electricidad.
- En línea con otros equipos, a fin de minimizar giros en las cañerías, lo que podría disminuir la eficiencia.
- Inmóvil y no sujeto a movimientos de ninguna clase.



SECCIÓN 4. CONFIGURACIÓN INICIAL

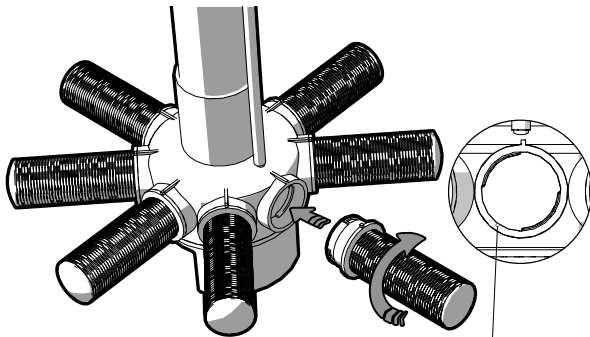
4.1 INSTALACIÓN DE LA BASE

1. Voltee el tanque de filtración hacia abajo.
 - a Coloque la base de modo que los nodos de retención se encuentren entre las pestañas de bloqueo.
 - b Gire en sentido horario hasta que las pestañas de bloqueo tengan una ubicación segura debajo de los nodos de retención.



4.2 INSTALACIÓN DEL NÚCLEO Y LOS LATERALES SFTM22-1.5

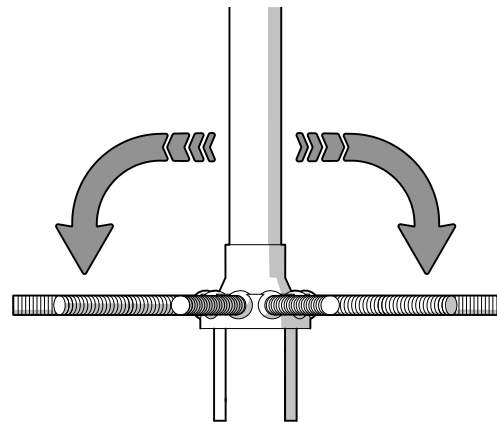
1. Inspeccione los laterales y el ensamblaje del núcleo lateral para detectar daños o suciedad. Reemplace o limpie si es necesario.
2. Introduzca el ensamblaje del núcleo lateral en el tanque de filtración.
3. Acérquese al interior del tanque de filtración y conecte cada lateral al núcleo.
4. Cada lateral necesita solo un cuarto de giro. Asegúrese de que los laterales estén ajustados. NO AJUSTE DEMASIADO.



Alinee las pestañas de los laterales con las ranuras en el núcleo. Ajuste con un 1/4 de giro.

4.3 INSTALACIÓN DEL NÚCLEO Y LOS LATERALES SFTM24-2.0

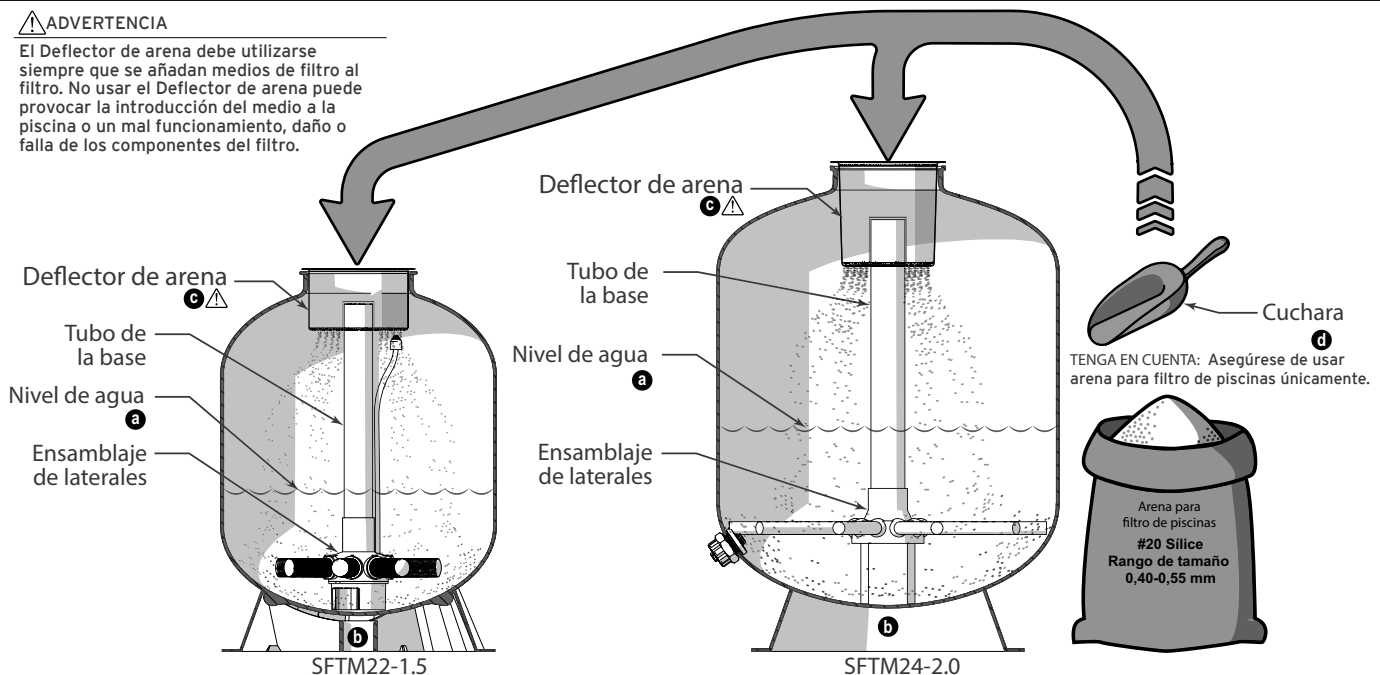
1. Inspeccione los laterales y el ensamblaje del núcleo lateral para detectar daños o suciedad. Reemplace o limpie si es necesario.
2. Introduzca el ensamblaje del núcleo lateral en el tanque de filtración.
3. Acérquese al interior del tanque del filtro y extienda cada lateral en posición totalmente horizontal.



4.4 LLENADO CON ARENA

⚠ ADVERTENCIA

El Deflector de arena debe utilizarse siempre que se añadan medios de filtro al filtro. No usar el Deflector de arena puede provocar la introducción del medio a la piscina o un mal funcionamiento, daño o falla de los componentes del filtro.



Es fundamental usar el tipo, la cantidad y la limpieza adecuados de arena de filtro para que el equipo funcione correctamente y dure.

#20 arena de sílice (solo para filtros de piscina) Rango de tamaño 0,40 a 0,55 mm		TENGA EN CUENTA: Medios de filtro alternativos
Modelo	Lb. (kg)	
SFTM22-1.5	250 (113)	Se deben respetar las indicaciones del fabricante para los medios alternativos. El uso de otros medios puede dar resultados inesperados y anular la garantía.
SFTM24-2.0	300 (136)	

1. Asegúrese de que el filtro esté nivelado en la base del equipo.
2. Prepare el filtro para arena.
 - a Llene de 1/2 a 1/3 de la capacidad del filtro con agua antes de agregar la arena.
 - Esto minimizará cualquier presión indebida sobre los laterales al agregar arena.

- b Asegúrese de que el tubo de la base se apoye sobre la parte inferior del tanque de filtración.
- c Instale el protector del tubo ascendente de plástico transparente.
 - El protector debe cubrir completamente la apertura del tubo.
 - Se debe tener especial cuidado para evitar que entre arena del filtro al tubo ascendente.
- d Con una pequeña cuchara, agregue arena al filtro de forma lenta y pareja.
 - Asegúrese de permitir que el protector del tubo ascendente drene totalmente entre una cucharada y otra para evitar derrames.

Cuando ya se agregó toda la arena al filtro:

3. Retire el protector del tubo ascendente y almacene para uso futuro.

4.5 ENSAMBLAJE DE LA VÁLVULA MULTIPUERTO

1. Instale el medidor de presión.
 - a Retire el tapón del puerto del medidor de presión.
 - b Instale el medidor de presión.
 - Atorníllelo en su lugar hasta que quede firme. NO AJUSTE DEMASIADO.
 - Si es posible, oriente el medidor de forma tal que quede alineado horizontalmente. La cinta Teflon® incluida se puede usar para ayudar a lograr la orientación y el ajuste apropiados.
 - c Si es posible, oriente el medidor de modo que esté perpendicular al nivel del piso, con la lectura a la derecha.

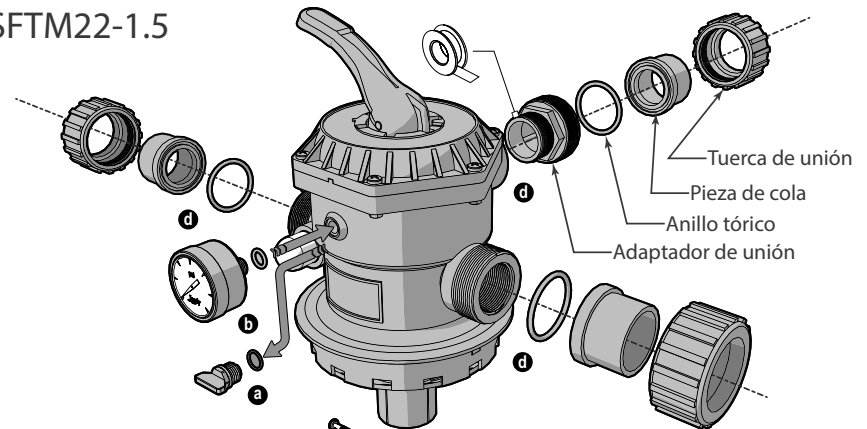
- d Instale uniones en los puertos de bomba, retorno y residuos del filtro.
 - SFTM22-1.5 empleará un adaptador de unión solo en el puerto de residuos.
 - SFTM24-2.0 usará adaptadores de unión en los puertos de residuos y retorno. El adaptador de extensión se usará en el puerto de bomba.
 - Aplique 4 a 6 vueltas de cinta PTFE (tuberías) en cada adaptador de unión instalado en la válvula multipuerto. Instale solo cinta PTFE (tuberías) en las roscas del adaptador en los puertos de válvula.
 - No use cinta PTFE (tuberías) en roscas de tuercas de unión.

⚠ ADVERTENCIA

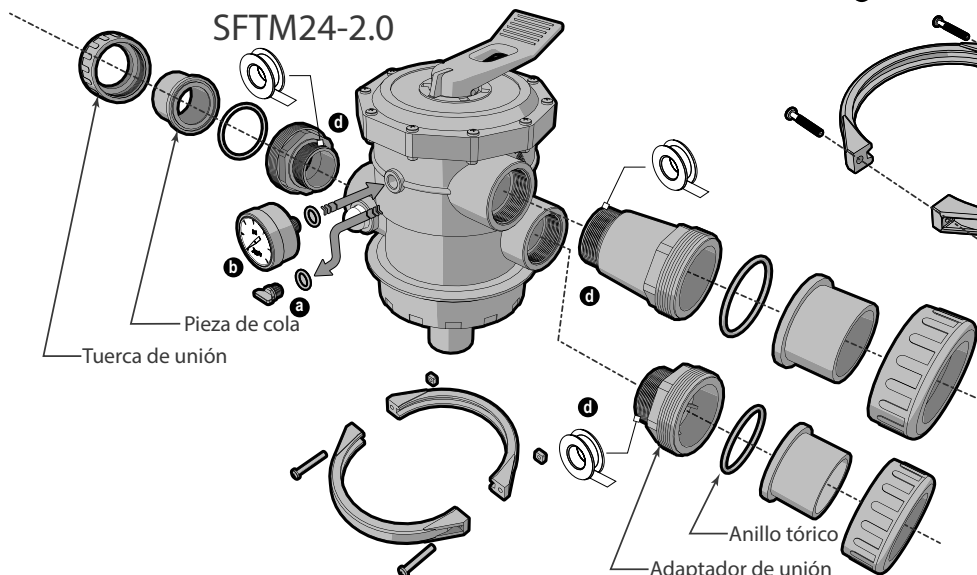
El imprimador y el adhesivo para PVC pueden producir vapores que pueden ser peligrosos para su salud. Use adhesivo para PVC para unir tuberías solo en un área bien ventilada donde no se puedan acumular vapores.

NUNCA use lubricante para tubos en las roscas de plástico. El lubricante para tubos debilitará mucho el plástico y provocará fracturas en el plástico. NO APRIETE DEMASIADO.

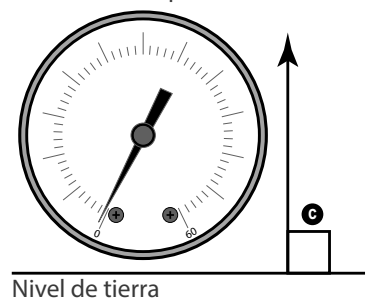
SFTM22-1.5



SFTM24-2.0

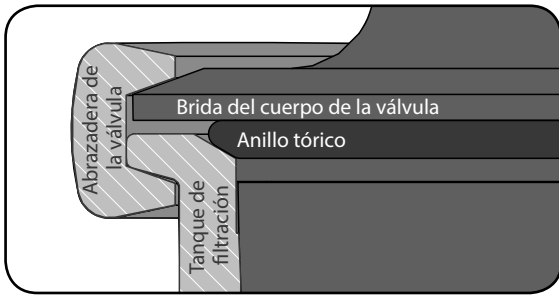


Medidor de presión

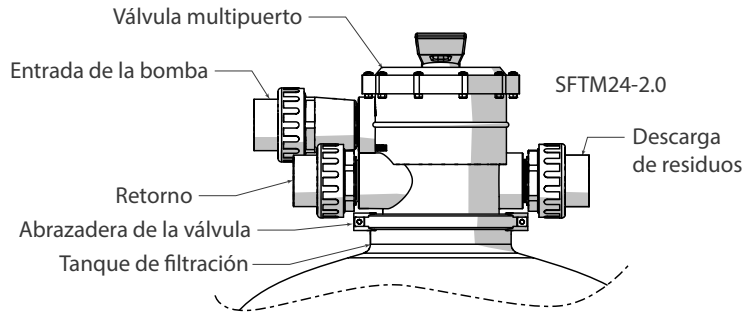
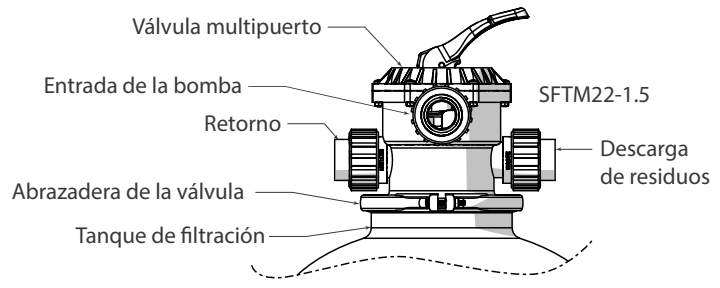


4.6 INSTALACIÓN DE LA VÁLVULA MULTIPUERTO

1. Voltee el ensamblaje de la válvula hacia abajo. Instale la junta tórica de la válvula/tanque de modo que quede apoyada debajo de la brida del cuerpo de la válvula.
2. Apoye la válvula en el tanque del filtro con el tubo ascendente asegurado en el puerto central del cuerpo de la válvula multipuerto.
3. Asegúrese de que los puertos de bomba y retorno estén orientados de forma tal que se minimicen las curvas o uniones de tuberías.
4. Coloque la abrazadera de la válvula a fin de que agarre tanto la brida del cuerpo de la válvula como el tanque de filtración.



5. Coloque la abrazadera de la válvula multipuerto de forma tal que los tornillos sean accesibles después de que el filtro haya sido soldado.
6. Use un destornillador Phillips para asegurar la abrazadera.

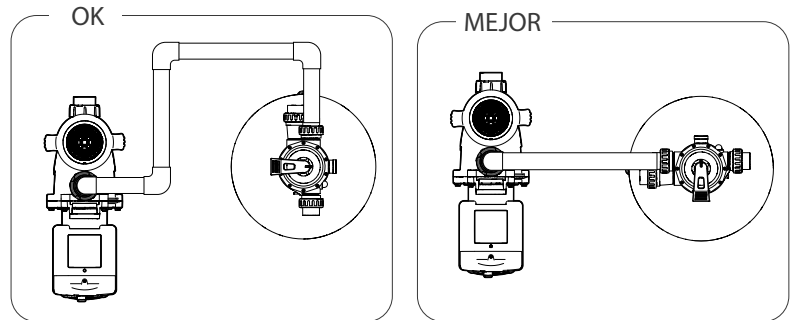


7. Alterne el ajuste de la abrazadera de la válvula de un lado a otro.
8. No ajuste demasiado la abrazadera.

4.7 CONEXIONES

Asegúrese de que todas las conexiones de tuberías respeten todos los códigos de plomería y construcción locales.

1. Con un adhesivo apropiado para tubos, conecte el filtro al sistema de recirculación de agua de la piscina.
2. Conecte la línea de descarga de la bomba al puerto de la bomba en la válvula multipuerto.
3. Conecte la línea de retorno al puerto de retorno en la válvula multipuerto.
4. Conecte la línea de residuos al puerto de residuos en la válvula multipuerto.
5. Para conectar los tubos, use las uniones suministradas con el filtro. No use cinta PTFE (tuberías) ni lubricante para tubos en las tuercas de las uniones. Ensamble las uniones en seco y ajuste manualmente.



6. Los adaptadores de tuberías SFTM22-1.5 está diseñados para tubos de PVC de 1,1/2", los adaptadores de tuberías SFTM24-2.0 están diseñados para tubos de PVC de 2". A fin de reducir la pérdida de presión, se recomienda usar tubos de 2" (como mínimo).

SECCIÓN 5. OPERACIÓN

Este filtro funciona bajo presión. Cuando se ajusta debidamente y se usa sin aire en el sistema de agua, este filtro funcionará de forma segura. Todas las conexiones de tuberías deben respetar todos los códigos de plomería y

construcción locales. **No use compuestos para uniones de tubos, pegamento ni solvente en las roscas de las tuercas de unión.**

5.1 FUNCIONES DE LA VÁLVULA DE FILTRACIÓN

La bomba de filtración debe apagarse antes de realizar ajustes en la válvula multipuerto. Al encender la bomba después de realizar los ajustes a la válvula, asegúrese de alejarse del filtro. Asegúrese de que todas las disposiciones para desechar el agua residual cumplan con los códigos locales, estatales o nacionales.

Configure el mango de la válvula para:

- **FILTRO:** El agua pasa a través de la arena del filtro y regresa a la piscina. Configuración para filtración Normal. La válvula multipuerto debe estar en esta posición para la filtración típica y la circulación sanitaria.
- **RESIDUOS:** El agua evita la arena del filtro y se dirige al puerto de residuos.
- **RECIRCULAR:** El agua evita la arena del filtro y vuelve a la piscina.
- **CERRADA:** Cierra todos los pasajes a través de la válvula multipuerto.

- **INVIERNO:** Esta posición de la válvula suelta el mango de la válvula multipuerto y deja todos los pasajes a través de la válvula abiertos para el drenaje. Una vez que se drena el filtro, se recomienda mantener el mango de la válvula en posición Invierno.
- **RETROLAVADO:** El agua pasa a través de la arena del filtro en dirección inversa y es enviada al puerto de residuos. Mientras funciona la bomba, verifique periódicamente la claridad del agua en el visor indicador de nivel. Cuando el agua esté visiblemente transparente, el ciclo de retrolavado estará completo.
- **ENJUAGUE:** El agua pasa a través de la arena del filtro en dirección a los residuos. Use después del ciclo de retrolavado para eliminar suciedad de la válvula multipuerto. El enjuague debe extenderse durante 1 a 2 minutos.

5.2 ARRANQUE INICIAL

1. Asegúrese de que todas las conexiones estén ajustadas y que todas las conexiones de tuberías o uniones pegadas hayan tenido el tiempo de secado suficiente.
2. Arena de filtro de retrolavado.
 - Configuración de la válvula multipuerto en retrolavado.
3. Encienda la bomba de filtración.
 - El agua se descargará desde el puerto de residuos.
 - Mientras la bomba está en marcha, verifique periódicamente la claridad del agua a través del visor indicador de nivel o en el puerto de residuos.
 - Cuando el agua está visiblemente transparente, el ciclo de retrolavado está completo.
 - Consulte "5.1 Funciones de la válvula de filtración" on page 40 para más detalles.
4. Apague la bomba de filtración.
5. Configuración de la válvula para el enjuague.
6. Manténgase alejado del filtro y encienda la bomba de filtración.
 - El agua se descargará desde el puerto de residuos.
7. Deje el filtro en funcionamiento durante 1 a 2 minutos.
8. Apague la bomba de filtración.
9. Configuración de la válvula multipuerto para filtración.
10. Manténgase alejado del filtro.
11. Encienda la bomba de filtración y déjela funcionar normalmente.
 - El agua se descargará hacia la piscina desde el puerto de retorno.
 - Tome la lectura de presión del medidor de presión mientras la bomba de filtración está en funcionamiento a las RPM típicas de filtración.
 - Establezca el medidor de presión en limpieza, usando las PSI de filtración como marca de "limpio".

5.3 PRESIÓN DE OPERACIÓN

⚠ ADVERTENCIA



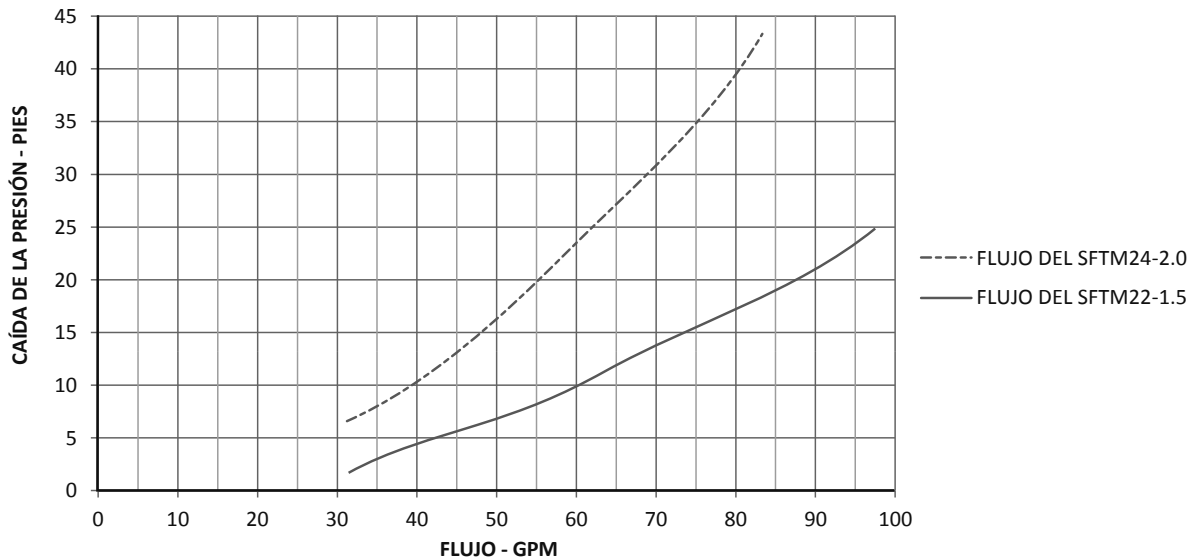
LA PRESIÓN DE OPERACIÓN MÁXIMA DEL FILTRO ES 35 PSI. NUNCA SOMETA EL FILTRO A UNA PRESIÓN DE OPERACIÓN QUE SUPERE LOS 35 PSI.

- No conecte el sistema a un sistema de agua sin regular o a cualquier otra fuente externa de agua presurizada que genere presiones superiores a los 35 PSI.
 - Este filtro funciona bajo presión elevada. Cuando se realiza el mantenimiento de una parte del sistema de circulación, como el filtro, la bomba, las válvulas, etc., es posible que entre aire en el sistema y que el sistema se presurice al reiniciarlo.
 - El aire presurizado en el sistema puede hacer que el sistema falle o que la válvula del dial explote, lo cual puede ocasionar muerte, graves lesiones físicas o daños a la propiedad.
 - Para minimizar el riesgo de sufrir lesiones graves o la muerte, el filtro y/o la bomba no deben someterse a una prueba de presurización de tuberías. Los códigos locales pueden exigir que el sistema de tuberías de la piscina se someta a una prueba de presión. Estos requisitos generalmente no se aplican al equipo de la piscina, como filtros o bombas. El equipo de la piscina Jandy es sometido a una prueba de presión en la fábrica.
- Sin embargo, si no es posible respetar la **ADVERTENCIA** y la prueba de presión del sistema de tuberías debe incluir el filtro y/o la bomba, **ASEGÚRESE DE CUMPLIR CON LAS SIGUIENTES INSTRUCCIONES DE SEGURIDAD:**
- Revise todas las abrazaderas, los pernos, los anillos de bloqueo y los accesorios del sistema y asegúrese de que estén bien instalados y colocados antes de realizar la prueba.
 - LIBERE TODO EL AIRE en el sistema antes de realizar la prueba.
 - La presión de agua para realizar la prueba NO DEBE SUPERAR LOS 35 PSI.
 - La temperatura del agua para realizar la prueba NO DEBE SUPERAR LOS 100 °F (38 °C).
 - Limite la prueba a 24 horas. Después de la prueba, realice una inspección visual del sistema y asegúrese de que está listo para funcionar.
- AVISO:** Estos parámetros se aplican solo al equipo Jandy. Para otros equipos, consulte al fabricante del equipo.

El filtro está diseñado para funcionar efectivamente según la curva de desempeño que se menciona abajo. En ningún momento el filtro debe estar sujeto a una presión interna superior a los 50 psi.

1. Después del arranque inicial, haga funcionar la bomba de filtro varios minutos.
2. Tome nota de la presión de operación y establezca el indicador de "limpio" en el dial del medidor de presión en las PSI de filtración.
3. Verifique la presión de operación regularmente al menos una vez por semana.
4. Se debe realizar un procedimiento de retrolavado una vez que se obtiene una lectura constante de 10 PSI más que la presión de arranque inicial, **NO SUPERE LOS 35 PSI.**
5. Siga los procedimientos de retrolavado y enjuague. Consulte "5.1 Funciones de la válvula de filtración" on page 40 y "5.2 Arranque inicial" on page 41.
6. Si después de retrolavar el filtro no logra reducir la presión lo suficiente para garantizar una presión de operación inferior a 35 PSI, deberá reemplazar la arena del filtro.

DESEMPEÑO DEL SFTM22-1.5 Y SFTM24-2.0



5.4 REEMPLAZO DE LA ARENA DEL FILTRO

La arena del filtro deberá ser eliminada de la apertura desde la válvula multipuerto.

1. Afloje los tornillos de la abrazadera.
2. Retire la abrazadera.
3. Retire la válvula multipuerto.
4. Use una aspiradora para seco/mojado o dispositivo de succión similar para aspirar la arena vieja del tanque de filtración.

5. Mantenga suficiente agua en el tanque de filtración para que la arena permanezca en un estado semifluido similar al lodo.
6. Para reemplazar la arena del filtro, siga los pasos de "4.4 Llenado con arena" on page 38.

⚠ ADVERTENCIA

Asegúrese de descartar adecuadamente la arena usada del filtro. La arena usada no es apropiada para el contacto con seres humanos o mascotas.

5.5 GUARDADO DURANTE EL INVIERNO

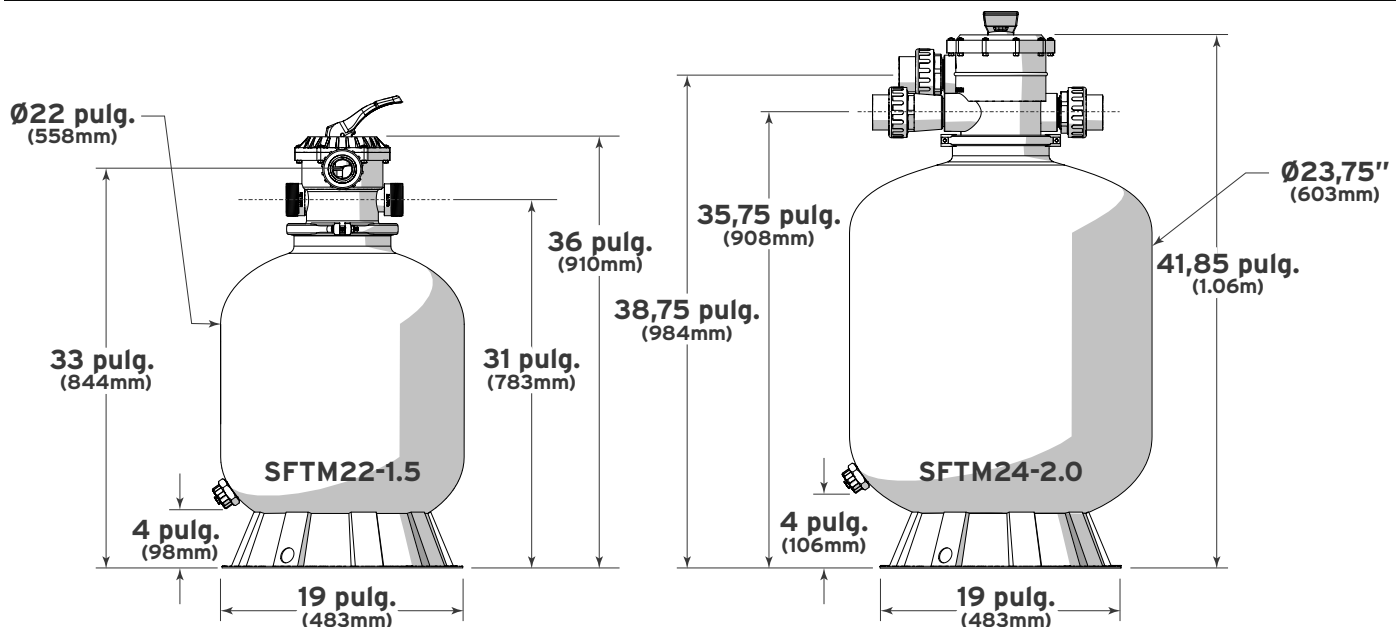
Apague la bomba.

1. Mueva el mango de la válvula multipuerto a "Invierno".
2. Retire todos los tapones de drenaje del filtro.

3. Para descargar el filtro, retire el medidor de presión o desconecte una de las uniones.
4. Drene toda el agua de los tubos del sistema.
5. Cubra el sistema con una lona o lámina de plástico para protegerlo del clima.

SECCIÓN 6. DIMENSIONES Y PIEZAS DE REPUESTO

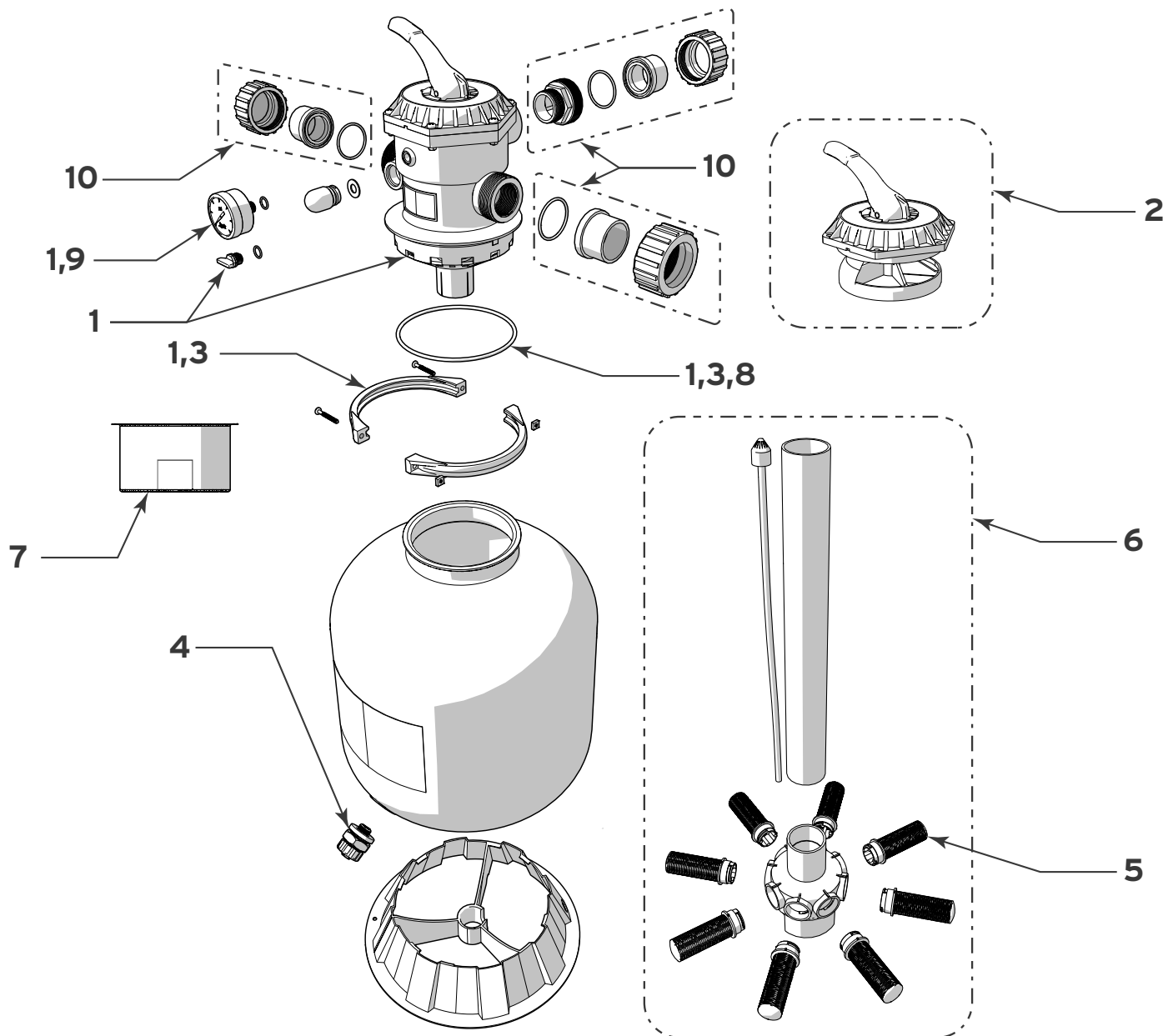
6.1 DIMENSIONES APROXIMADAS



6.2 PIEZAS DE REPUESTO

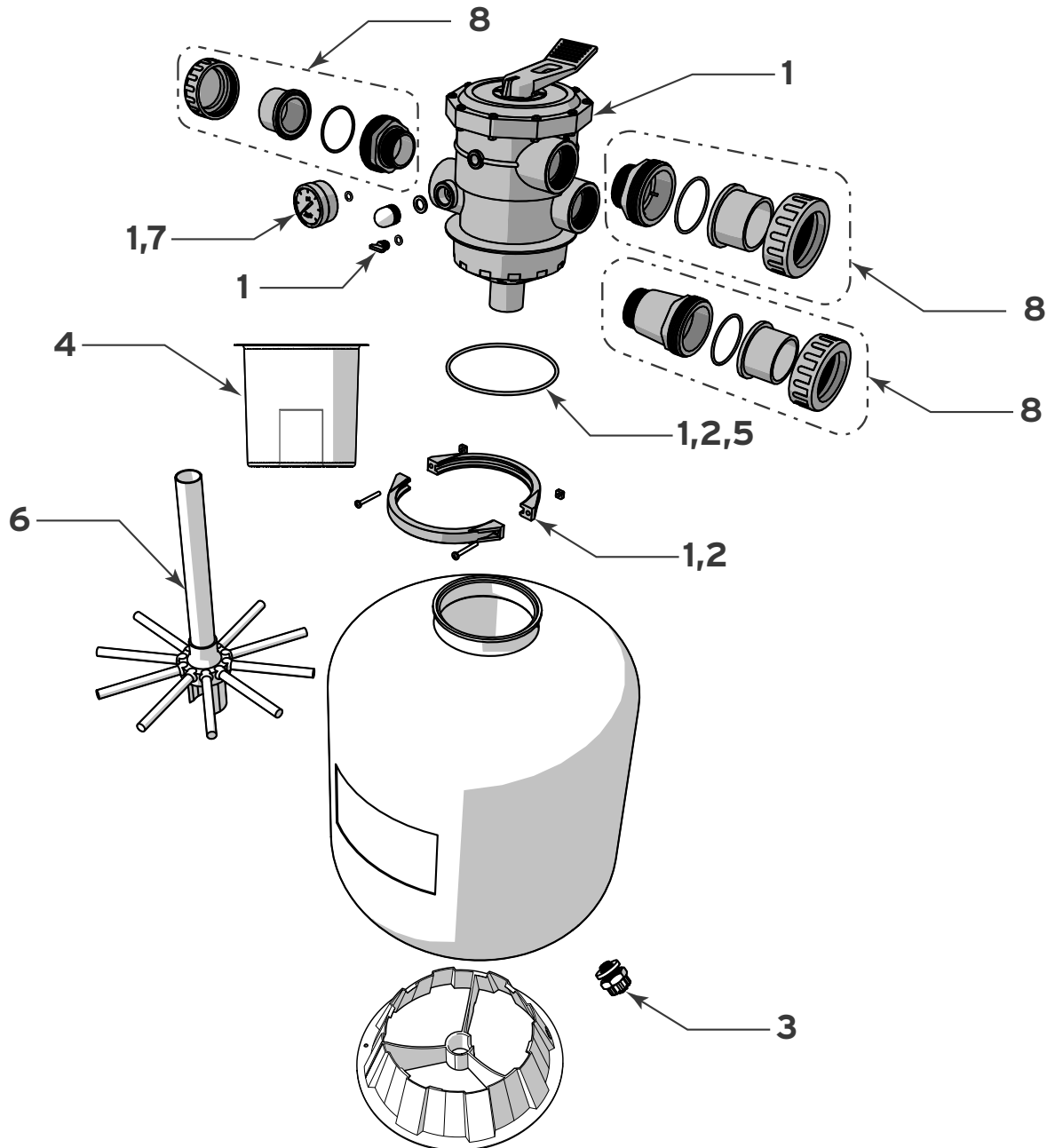
6.2.1 SFTM22-1.5

ELEMENTO	N.º de pieza	Descripción	CANTIDAD
1	R0744600	Ensamblaje completo de válvula multipuerto con abrazadera (1,5" MPV)	1
2	R0744700	Ensamblaje de rotor superior	1
3	R0745100	Ensamblaje de abrazadera de brida	1
4	R0745200	Tapa de drenaje y junta tórica	1
5	R0745300	Lateral (conjunto completo)	8
6	R0745400	Lateral y ensamblaje de tubo ascendente	1
7	R0745500	Deflector de arena	1
8	R0745800	Tanque de la válvula de junta tórica	1
9	R0745000	Ensamblaje del medidor de presión	1
10	R0745600	Kit completo de uniones de 1,5"	3



6.2.2 SFTM24-2.0

ELEMENTO	N.º de pieza	Descripción	CANTIDAD
1	R0745700	Ensamblaje completo de válvula multipuerto con abrazadera (2" MPV)	1
2	R0745100	Ensamblaje de abrazadera de brida	1
3	R0745200	Tapa de drenaje y junta tórica	1
4	R0746100	Deflector de arena	1
5	R0745800	Junta tórica, válvula/tanque	1
6	R0746000	Lateral y ensamblaje de tubo ascendente	1
7	R0745000	Ensamblaje del medidor de presión	1
8	R0746200	Kit completo de adaptador con uniones de 2"	1



NOTAS

NOTAS

NOTAS

Zodiac Pool Systems, Inc.

2620 Commerce Way, Vista, CA 92081

1.800.822.7933 | www.jandy.com

Zodiac Pool Systems Canada, Inc.

2115 South Service Road West, Unit 3

Oakville, ON L6L 5W2

1.888.647.4004 | www.ZodiacPoolSystems.ca

ZODIAC® es una marca registrada de Zodiac International, S.A.S.U., utilizada bajo licencia. Todas las marcas registradas mencionadas en este documento son propiedad de sus respectivos propietarios.

©2016 Zodiac Pool Systems, Inc. H0579200_REVD