

CS SERIES
SINGLE ELEMENT CARTRIDGE FILTER



Jandy®

CRYSTAL CLEAR CLARITY IN A COMPACT PACKAGE



CS SERIES
SINGLE ELEMENT
CARTRIDGE FILTER

TRADE SERIES
EXCLUSIVE

Jandy® CS Series Single Element Cartridge Filters

The CS Filters utilize single element cartridges designed to provide the same great filtration as the CV and CL Models, but in a more compact body. The cartridges on the CS are easily removed, making it simple to clean and care for. Available in 100, 150, 200, and 250 square foot models.

- Compact body designed to easily fit into small areas
- Compatible with the Jandy Versa Plumb® System
- High-impact, corrosion and UV resistant, thermoplastic tank body
- Pressure gauge with clean/dirty indicator that makes it easy to assess filter condition
- Ergonomic, easy grip handles for ease of service
- Includes 2" x 2 1/2" universal unions
- Extra large 2" drain port for easy cleaning of debris

SPECIFICATIONS

Model Number	CS100	CS150	CS200	CS250
Filter Area (ft ²)	100	150	200	250
Normal Start Up PSI	6-15	6-15	6-15	6-15
Max Working PSI	50	50	50	50
Cartridges Required	1	1	1	1
Shipping Weight (lbs.)	28	28	28	28
Height – Dimension "A"	32 ³ / ₈ "	32 ³ / ₈ "	42 ¹ / ₂ "	42 ¹ / ₂ "

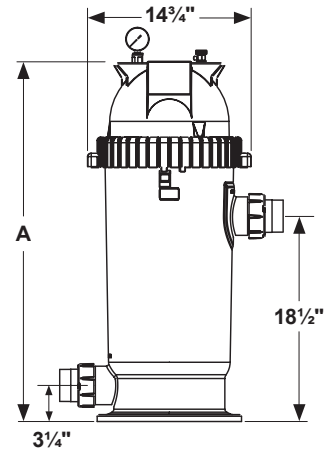
Residential

Design Flow Rate (GPM/ft ²)	1.00	0.85	0.625	0.50
Maximum Flow (GPM)	100	125	125	125
6 Hour Capacity (gallons)	36,000	45,000	45,000	45,000
8 Hour Capacity (gallons)	48,000	60,000	60,000	60,000

Commercial

Design Flow Rate (GPM/ft ²)	0.375	0.375	0.375	0.375
Maximum Flow (GPM)	37	56	75	93
6 Hour Capacity (gallons)	13,500	20,250	27,000	33,750
8 Hour Capacity (gallons)	18,000	27,000	36,000	45,000

DIMENSIONS



PERFORMANCE

