

DEV
DIATOMACEOUS EARTH FILTER



Jandy®

DIVE INTO
SPARKLING
CLEAR WATER



TRADE SERIES
EXCLUSIVE

DEV
DIATOMACEOUS EARTH FILTER

Enjoy the cleanest water possible

For unsurpassed water clarity, the Jandy® DEV Diatomaceous Earth Filters are capable of filtering out even the most microscopic particles in your pool, like dirt and algae, resulting in incredibly clear, clean water that appears, "polished."

• Clearly Superior

Made of the crushed fossils of aquatic organisms called diatoms, often referred to as "water polishers." DE filters provide the highest degree of water clarity by removing contaminants as small as 5 microns.

• Ergonomic Easy Grip Handles

The Jandy DEV Filters feature comfortable, easy grip handles designed to make filter installation and cleaning easy.

• Pressure Gauge/Air Release Valve

The Jandy DEV Filters include a unique pressure gauge with a clean/dirty indicator that can be customized for each pool, making it easy to assess filter condition.

• Extra Large 2-Inch Drain

The extra large drain port on the DEV filter allows for easy filter draining.

• Optional Anchor Bracket

Optional anchor brackets easily attach to the filter tank and mount to the pad to hold the filter securely in place. These brackets are sold separately as an accessory.

• Backwash Valves

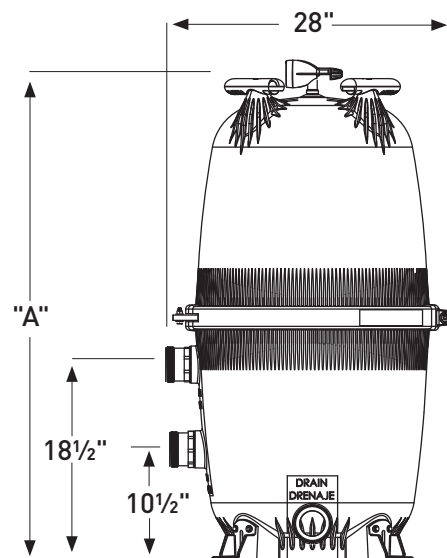
Accommodates three types of backwash valves:

- Multi-Port (BWVL-MPV-80)
- Slide (BWVL-SLD)
- 2-in-1 Never Lube® (BWVL-NVL)

• Durable Performance

DEV filters are constructed of durable, corrosion-resistant, heavy duty high-tech polymeric materials for long-lasting performance.

DIMENSIONS



SPECIFICATIONS

Model Number	DEV48*	DEV60*
Filter Area	48 sq ft	60 sq ft
Design Flow Rate	2.00 gpm/ft ²	2.00 gpm/ft ²
Maximum Flow	96 gpm	120 gpm
Max Working Pressure	34,560 gallons	43,200 gallons
D.E. Required	50 psi	50 psi
Shipping Weight	95 lbs	101 lbs
Height (A)	41 inches	47 inches
Footprint	25" diameter circle	25" diameter circle
Distance Between Inlet and Outlet	8 inches	8 inches

*Jandy DEV Filters supersede Jandy DEL Filters

Diatomaceous earth, the natural water polisher. Diatomaceous earth is made of tiny fossil exoskeletons. When used with the DEV filter, debris as small as 5 microns are trapped, returning highly filtered water to your pool.