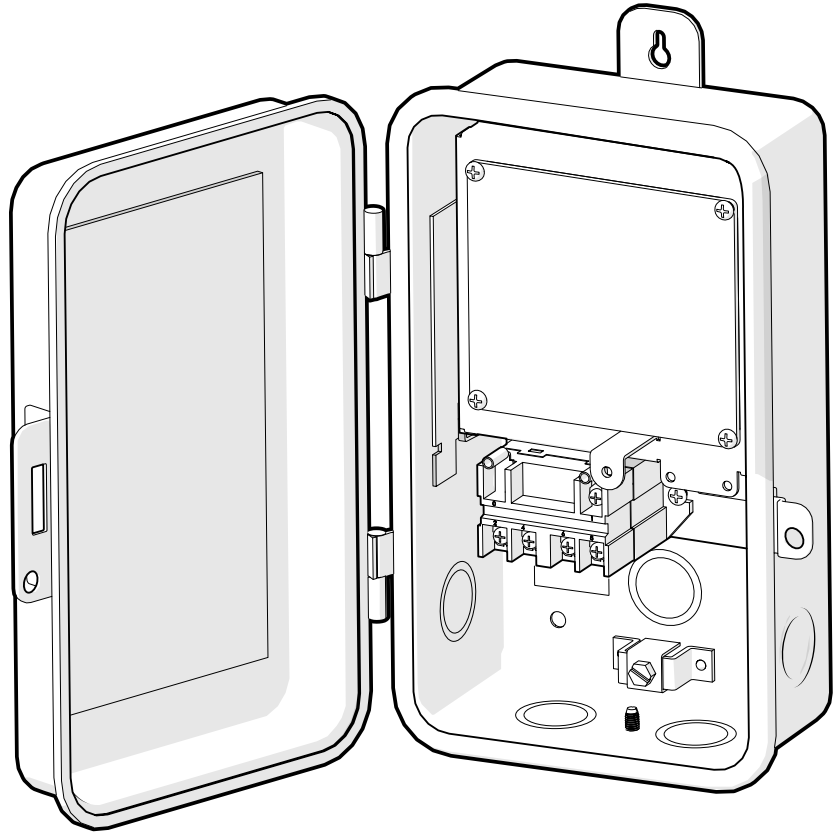




INSTALLATION AND OPERATION MANUAL



AquaLink[®] TCX[™] Power Center *Pool Only*

! WARNING

FOR YOUR SAFETY - This product must be installed and serviced by a contractor who is licensed and qualified in pool equipment by the jurisdiction in which the product will be installed, where such state or local or provincial requirements exist. In the event no such state or local requirement exists, the individual in charge of installation must be a professional with sufficient experience in pool equipment installation and maintenance, so that all of the instructions in this manual can be followed exactly. Improper installation and/or operation can create dangerous electrical hazards, which can cause high voltages to run through the electrical system. Before installing this product, read and follow all warning notices and instructions that accompany this product. Failure to follow warning notices and instructions may result in property damage, personal injury, or death. Improper installation and/or operation will void the warranty.

If these instructions are not followed exactly, a fire or explosion may result, causing property damage, personal injury, or death.

ATTENTION INSTALLER: This manual contains important information about the installation, operation and safe use of this product. This information should be given to the owner/operator of this equipment.



Table of Contents

Section 1. IMPORTANT SAFETY INSTRUCTIONS.....	3
1.1 Safety Instructions.....	3
1.2 Pool Pump Suction Entrapment Prevention Guideline.....	5
1.3 Required Tools and Equipment.....	6
1.4 Materials Supplied by the Installer.....	7
1.5 Specifications.....	7
Section 2. System Overview.....	7
2.1 Package Contents.....	7
2.2 Location Requirements.....	7
Section 3. AquaLink TCX Power Center Installation.....	7
3.1 Mounting.....	7
3.2 Wiring.....	8
3.3 Installing the Air Temperature Sensor ..	11
3.4 Installing and Wiring the Command Hub.....	11
3.5 Installing Wireless Light Switch.....	11
3.6 Bonding.....	11
Section 4. AquaLink TCX™ Retro Fit Installation.....	11
4.1 Wiring.....	11
4.2 Installing the Air Temperature Sensor ..	14
4.3 Installing and Wiring the Command Hub.....	14
4.4 Installing Wireless Light Switch.....	14
4.5 Bonding.....	14

Section 1. IMPORTANT SAFETY INSTRUCTIONS

READ AND FOLLOW ALL INSTRUCTIONS

1.1 Safety Instructions

All electrical work must be performed by a licensed electrician and conform to all national, state, provincial and local codes. When installing and using this electrical equipment, basic safety precautions should always be followed, including the following:

WARNING

EQUIPMENT UNDER PRESSURE: Always turn pump off prior to installation or service. Your pump/filter system is operated under pressure and the pressure must be released before you begin work. Please see your pump/filter owner's manual for further instructions.

WARNING

To reduce the risk of electric shock, fire or injury, service should only be attempted by a qualified pool service professional.

Risk of electric shock: Install the power center at least five (5) feet (1.52 m) from the inside wall of the pool and/or hot tub using non-metallic plumbing. Canadian installations must be at least three (3) meters from the water.

WARNING

Risk of electric shock which can result in serious injury or death: Before attempting to install or service, ensure that all power to the circuit supplying power to the system is disconnected or turned off at the circuit breaker. All wiring must be done in accordance with the National Electrical Code® (NEC)®, NFPA-70®, including those in Article 680 - Swimming Pools, Fountains, and Similar Installations.

In Canada, the Canadian Electrical Code (CEC), CSA C22.1, must be followed. All applicable local installation codes and regulations must be followed.

ATTENTION: This power center and the chlorine generator control center are not to be considered as suitable for use as service equipment. Therefore, it is required to have the appropriate means of disconnection, circuit isolation, and/or branch circuit protection installed upstream of the power/control center

WARNING

To reduce the risk of injury do not permit children to use this product unless they are closely supervised at all times

WARNING

Risk of Accidental Drowning. Extreme caution must be exercised to prevent unauthorized access by children. To avoid accidents, ensure that children cannot use a spa or hot tub unless they are closely supervised at all times

This appliance is not intended for use by persons (including children) with reduced physical, sensory or mental capabilities, or lack of experience and knowledge, unless they have been given supervision or instruction concerning use of the appliance by a person responsible for their safety.

PREVENT CHILD DROWNING: Do not let anyone, especially small children, sit, step, lean or climb on any equipment installed as part of your pool's operational system. Locate the components of your operational system at least 1 m (3 ft 3 in) from the pool so children cannot use the equipment to access the pool and be injured or drown.

To reduce the risk of injury, do not remove the suction fittings of your spa or hot tub. Never operate a spa or hot tub if the suction fittings are broken or missing. Never replace a suction fitting with one rated less than the flow rate marked on the equipment assembly.

WARNING

To avoid injury ensure that you use this control system to control only packaged pool/spa heaters which have built-in operating and high limit controls to limit water temperature for pool/spa applications. This device should not be relied upon as a safety limit control. Water temperature in excess of 100°F (38°C) may be hazardous to your health.

WARNING

A terminal bar marked "GROUND" is provided within the power center. To reduce the risk of electrical shock, connect this terminal bar to the grounding terminal of your electric service or supply panel with a continuous copper conductor having green insulation and one that is equivalent in size to the circuit conductors supplying this equipment, but no smaller than no. 12 AWG (3.3 mm²). In addition, a second wire connector should be bonded with a no. 8 AWG (8.4 mm²) copper wire to any metal ladders, water pipes, or other metal within five (5) feet (1.52 m) of the pool/spa. In Canada, the bonding wire must be minimum 6 AWG (13,3 mm²).

WARNING

A ground-fault circuit-interrupter must be provided if this device is used to control underwater lighting fixtures. The conductors on the load side of the ground-fault circuit-interrupter shall not occupy conduit, boxes, or enclosures containing other conductors unless the additional conductors are also protected by a ground-fault circuit-interrupter. Refer to local codes for complete details.

CAUTION: This device is intended for use with permanent swimming pools and may also be used with hot tubs and spas if so marked. Do not use with storable pools. A permanently-installed pool is constructed in or on the ground or in a building such that it cannot be readily disassembled for storage. A storable pool is constructed so that it is capable of being readily disassembled for storage and reassembled to its original integrity.

When mixing acid or other chemicals with water, **ALWAYS ADD THE ACID OR CHEMICALS TO WATER. NEVER ADD WATER TO THE ACID OR CHEMICALS.**

CAUTION: It is important to note that certain materials used in and around swimming pools and spas may not be compatible with chemicals commonly used to purify pool and spa water (e.g. acids, chlorine, salt, stabilizers, etc.).

Zodiac Pool Systems LLC does not warrant or guarantee that the chlorinated water generated by the Jandy Pro Series chlorine generating device will not damage or destroy certain types of plants, decking, coping and other materials in and around your pool and/or spa. Before selecting materials to be used in and around your pool and/or spa, please discuss all options with your contractor to assess the compatibility of such materials and chemicals.

Some helpful considerations may include:

- Choosing plants that can withstand splash out of pool water containing chlorine and/or salt and other water purification chemicals.

- All metal components used in and around a pool should be of a high grade, quality stainless steel.
- Careful selection of masonry products. The porosity and hardness of natural stones varies greatly. Therefore we recommend you consult with your builder or stone contractor on the best choice for stone materials around your pool or spa.
- Sealing all masonry products. Professionals in the stone industry specify that even natural stone, especially when used outdoors, be sealed to prevent weathering, staining, and premature degradation. Consult with your stone or deck contractor for the proper sealer for the masonry products you have selected to use around your pool or spa.
- For optimal results, sealers should be reapplied on a regular basis. Reapply the protective sealer on a schedule per the manufacturer's instructions.
- Use of chemicals other than those recommended may be hazardous. Follow the chemical manufacturers instructions.

WARNING

Prolonged immersion in hot water may induce hyperthermia. Hyperthermia occurs when the internal temperature of the body reaches a level several degrees above the normal body temperature of 37 °C (98.6 °F). The symptoms of hyperthermia include dizziness, fainting, drowsiness, lethargy, and an increase in the internal temperature of the body. The effects of hyperthermia include:

- Unawareness of impending danger
- Failure to perceive heat
- Failure to recognize the need to exit spa
- Physical inability to exit spa
- Fetal damage in pregnant women
- Unconsciousness resulting in a danger of drowning

To Reduce the Risk of Injury:

- The water in a spa should never exceed 40°C (104°F). Water temperatures between 38°C (100°F) and 40°C (104°F) are considered safe for a healthy adult. Lower water temperatures are recommended for young children and when spa use exceeds 10 minutes.
- Since excessive water temperatures have a high potential for causing fetal damage during the early months of pregnancy, pregnant or possibly pregnant women should limit spa water temperatures to 38°C (100°F).
- Before entering a spa or hot tub, the user should measure the water temperature with an accurate thermometer since the tolerance of water temperature-regulating devices varies.
- The use of alcohol, drugs, or medication before or during spa or hot tub use may lead to unconsciousness with the possibility of drowning.
- Obese persons and persons with a history of heart disease, low or high blood pressure, circulatory system problems, or diabetes should consult a physician before using a spa.
- Persons using medication should consult a physician before using a spa or hot tub since some medication may induce drowsiness while other medication may affect heart rate, blood pressure, and circulation.
- People with infectious diseases should not use a spa or hot tub.
- To avoid injury, exercise care when entering or exiting the spa or hot tub.
- Do not use drugs or alcohol before or during the use of a spa or hot tub to avoid unconsciousness and possible drowning.
- Pregnant or possibly pregnant women should consult a physician before using a spa or hot tub.
- Water temperature in excess of 38°C (100°F) may be injurious to your health.
- Before entering a spa or hot tub measure the water temperature with an accurate thermometer.
- Do not use a spa or hot tub immediately following strenuous exercise.

- Prolonged immersion in a spa or hot tub may be injurious to your health.
- Do not permit any electric appliance (such as a light, telephone, radio, or television) within 1.5 m (5 ft.) of a spa or hot tub.
- The use of alcohol, drugs or medication can greatly increase the risk of fatal hyperthermia in hot tubs and spas.

WARNING

Improper gas heater installation or maintenance can cause nausea or asphyxiation from carbon monoxide in flue gases which could result in severe injury, or death. For indoor installations, as an additional measure of safety, Zodiac Pool Systems LLC strongly recommends installation of suitable Carbon Monoxide detectors in the vicinity of this appliance and in any adjacent occupied spaces.

WARNING

Jandy Pro Series chlorine generating devices are designed for domestic (residential) swimming pool use only. Contrary use could affect performance, void warranty, and may result in property damage, serious injury, or death.

- Operating a chlorine generator without water flowing through the cell may cause a build up of flammable gases, resulting in fire or explosion.
- Keep equipment out of reach of children.
- A damaged supply cord should only be replaced by the manufacturer, service agent or electrician.
- When installing and using this electrical equipment, always follow basic safety precautions.
- Before performing installation, disconnect all power.
- Connect to a circuit that is protected by a ground-fault circuit interrupter (GFCI).
- Do not install within an outer enclosure or beneath the skirt of a hot tub or spa.

ATTENTION: This device complies with part 15 of the FCC Rules. Operation is subject to the following two conditions: (1) This device may not cause harmful interference, and (2) this device must accept any interference received, including interference that may cause undesired operation.

NOTE: This equipment has been tested and found to comply with the limits for a Class B digital device, pursuant to part 15 of the FCC Rules. These limits are designed to provide reasonable protection against harmful interference in a residential installation. This equipment generates, uses and can radiate radio frequency energy and, if not installed and used in accordance with the instructions, may cause harmful interference to radio communications. However, there is no guarantee that interference will not occur in a particular installation. If this equipment does cause harmful interference to radio or television reception, which can be determined by turning the equipment off and on, the user is encouraged to try to correct the interference by one or more of the following measures:

- Reorient or relocate the receiving antenna.
- Increase the separation between the equipment and receiver.
- Connect the equipment to an electrical source on a circuit different from that to which the receiver is connected.
- Consult the dealer or an experienced radio/TV technician for help.

Modifications made to this equipment, which are not authorized by the manufacturer, may void the user's authority to operate this equipment.

1.2 Pool Pump Suction Entrapment Prevention Guideline

⚠ WARNING

Pump suction is hazardous and can trap and drown or disembowel bathers. Do not use or operate swimming pools, spa, or hot tubs if a suction outlet cover is missing, broken, or loose: The following guidelines provide information for pump installation that minimizes the risk of injury to users of pools, spas, and hot tubs:

Entrapment Protection: The pump suction system must provide protection against the hazards of suction entrapment.

Suction Outlet Covers: All suction outlets must have correctly installed, screw-fastened covers in place. All suction outlet (drain) covers must be maintained. Drain covers must be listed/certified to the latest version of ANSI®/ASME® A112.19.8 or its successor standard, ANSI/APSP-16. They must be replaced if cracked, broken, or missing.

Number of Suction Outlets Per Pump: Provide at least two (2) hydraulically-balanced main drains, with covers, as suction outlets for each circulating pump suction line. The centers of the main drains (suction outlets) on any one (1) suction line must be at least three (3) feet apart, center to center. See Figure 1.

The system **must** be built to include at least two (2) suction outlets (drains) connected to the pump whenever the pump is running. However, if two (2) main drains run into a single suction line, the single suction line may be equipped with a valve that will shut off both main drains from the pump. The system shall be constructed such that it shall not allow for separate or independent shutoff or isolation of each drain. See Figure 1.

More than one (1) pump can be connected to a single suction line as long as the requirements above are met.

Water Velocity: The maximum water velocity through the suction fitting or cover for any suction outlet must be 1.5 feet per second unless the outlet complies with the latest version of ANSI/ASME A112.19.8 or its successor standard, ANSI/APSP-16, the standard for Suction Fittings For Use in Swimming Pools, Wading Pools, Spas, and Hot Tubs. In any case, do not exceed the suction fitting's maximum designed flow rate.

If 100% of the pump's flow comes from the main drain system, the maximum water velocity in the pump suction hydraulic system must be six (6) feet per second or less, even if one (1) main drain (suction outlet) is completely blocked. The flow through the remaining main drain(s) must comply with the latest version of ANSI/ASME A112.19.8 or its successor standard, ANSI/APSP-16, the standard for Suction Fittings For Use in Swimming Pools, Wading Pools, Spas, and Hot Tubs.

Testing and Certification: Suction outlet covers must have been tested by a nationally recognized testing laboratory and found to comply with the latest version of ANSI/ASME A112.19.8 or its successor standard, ANSI/APSP-16, the standard for Suction Fittings For Use in Swimming Pools, Wading Pools, Spas, and Hot Tubs.

Fittings: Fittings restrict flow; for best efficiency use fewest possible fittings (but at least two (2) suction outlets).

Avoid fittings which could cause an air trap.

Pool cleaner suction fittings must conform to applicable International Association of Plumbing and Mechanical Officials (IAPMO®) standards.

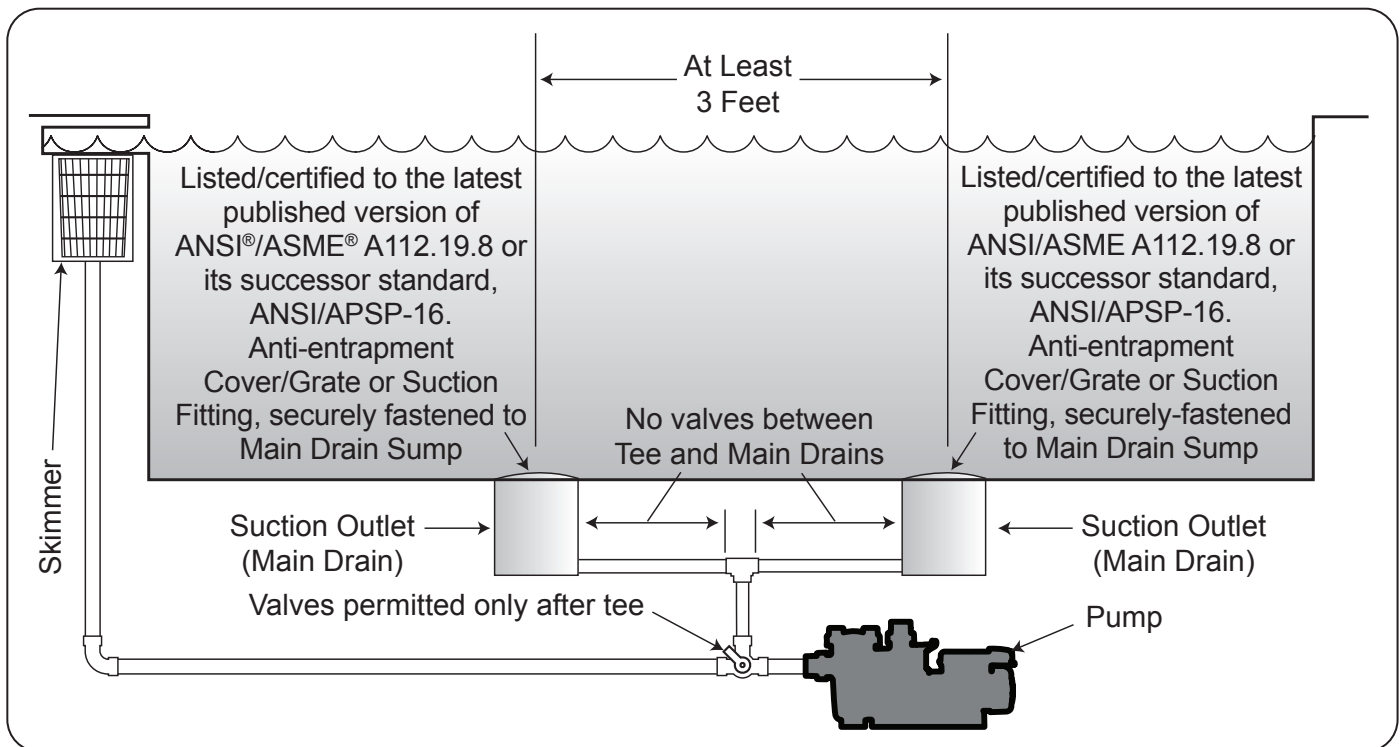


Figure 1. Number of Suction Outlets Per Pump

SAVE THESE INSTRUCTIONS



FAMILY OF BRANDS | Heritage of Excellence

Quality Promise

As industry leaders committed to giving you the perfect pool experience, we-

Promise to maintain the highest quality standards in all areas of operation.

Promise to use high quality materials and world-class processes to manufacture our products.

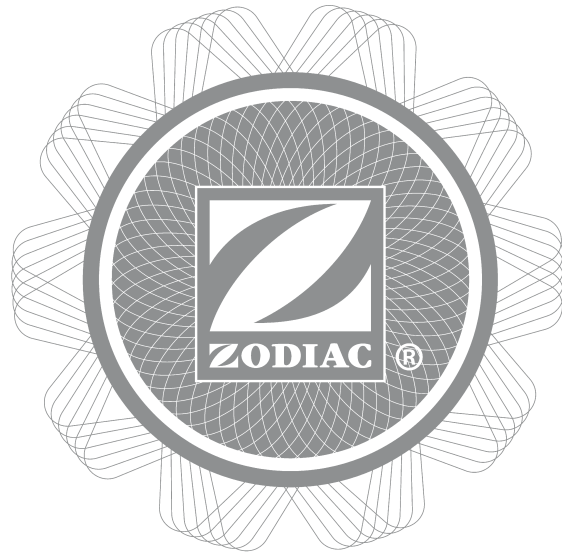
Promise that your equipment will arrive completely tested in pool environments, inspected and quality-assured for reliability and durability.

We stand by our promise.

Our promise is backed by dedicated support and our written express product warranty.

For technical assistance please call 1-800-822-7933

What you say matters. Tell us what you think by calling 1-760-734-8844 or email feedback@zodiac.com for questions or input.



1.3 Required Tools and Equipment

Please ensure that the following list of tools and equipment are available to the installer at the time of install



Safety Eyewear



Gloves



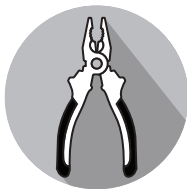
Screwdrivers*



Smart Device with iAquaLink App



Drill/Impact Driver



Combination/ Diagonal Pliers**



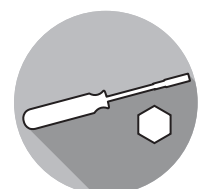
Tape Measure



Voltage Meter



Hammer



1/4" Hex Driver

*Small flathead required for electrical wiring connection point set screws.

**Diagonal pliers required if dead panel bottom needs to be removed.

1.4 Materials Supplied by the Installer

- Flexible Conduit
- Conduit Connectors
- Wire High Voltage #12 AWG Minimum
- Wire Low Voltage - 4 conductor
Min. #22 AWG Communication Cable
(Insulation Colors: Red, Black, Yellow, Green)
- Wire Connectors (wire nuts)
- High Voltage Breakers
- GFCI Receptacle or GFCI Breaker

1.5 Specifications

Power Supply		
USA	240/120VAC; 60/50 Hz; 0.5 A	
CAN	240/120VAC; 60/50 Hz; 0.5 A	
Contact Rating		
USA	High Voltage	25 A; 3HP @ 240VAC 1 1/2 HP @ 120VAC 1500 Watts Incandescent
	Low Voltage	Class 2, 1 A @ 24VAC
CAN	High Voltage	25 A; 3HP @ 240VAC 1 1/2 HP @ 120VAC 1500 Watts Incandescent
	Low Voltage	Class 2, 1 A @ 24VAC

⚠ WARNING

The AquaLink TCX power center should not be considered suitable for use as service equipment. Therefore, it is required to have the appropriate means of disconnection, circuit isolation, and/or branch circuit protection installed upstream of the power center.

Section 2. System Overview

This manual provides installation and basic operational instructions for the Jandy AquaLink TCX power center. The AquaLink TCX is an integrated automation system capable of controlling and scheduling a wide array of equipment for residential pools.

Read the installation and operation instructions completely before proceeding with the installation. Keep this manual in a safe place for future reference when inspecting or servicing the power center.

Before starting, check that you have the correct parts as indicated below. If any parts are missing or incorrect, please call your local distributor or technical support at 1-800-822-7933 for assistance.

2.1 Package Contents

Package contents will vary depending on which AquaLink TCX configuration you are installing.

AquaLink TCX Pool Only W/Automation
Enclosure* and PIB
Mounting Hardware <ul style="list-style-type: none"> • Screw #8-15 X 1 1/4" (Qty 3) • Wall Anchor #8 1" (Qty 3)
Screw And Fuse Goody Bag <ul style="list-style-type: none"> • Fuse 5A/125V • O-Ring 5/32" ID • Screw #8-32 X 3/8"
Wire Cover Tube Kit <ul style="list-style-type: none"> • 24" Tubing • Bushing 20.4mm • Bonding Lug • Screw #10-24 X 5/8" • Nut 10-24
Air Temperature Sensor
Wireless Light Switch/Wallplate
Command Hub
*Note: Enclosure only included on TCXP model. Conversion Kit model does not include enclosure.

2.2 Location Requirements

In order to protect the AquaLink TCX power center from pressurized water spray (such as that from irrigation sprinklers) and from mechanical impacts and/or damage, it should be located:

- Near the primary equipment pad.
- At least 2' (61 cm) above the ground.
- At least 5' (1.5 m) away from the inside edge of the pool or spa in the US.
- At least 3 m (9.8') away from the inside edge of the pool or spa in Canada.

Section 3. AquaLink TCX Power Center Installation

3.1 Mounting

The AquaLink TCX power center is shipped with mounting brackets fastened on the back.

- Turn the power center over and inspect the brackets installed on the back.
- If any parts are missing or damaged, please call your local distributor or technical support at 1-800-822-7933 for assistance.

1. Measure Distance From Breaker (refer to Location Requirements and your equipment manual).
2. Measure Distance To Equipment (refer to Location Requirements and your equipment manual).
3. Open up the AquaLink TCX enclosure and remove the metal dead front. The dead front is held in place by one screw, see Figure 1 (a).

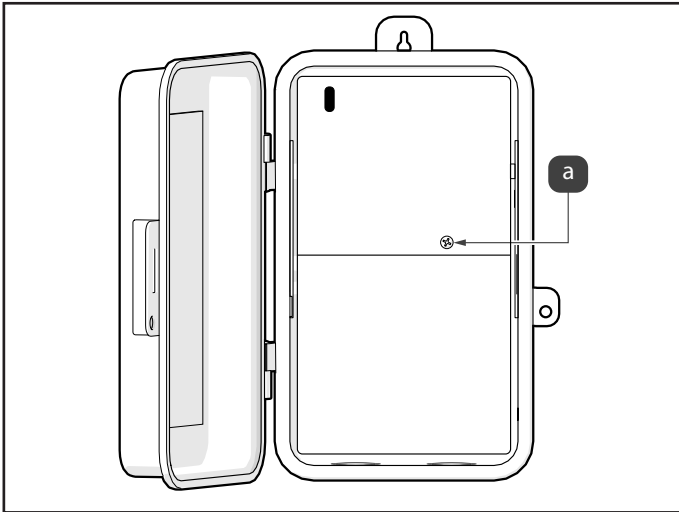


Figure 1. Remove Dead Front Screw

4. Mark the location for the mounting screws. One is located on top of the enclosure and two are located inside the enclosure towards the bottom.
5. Drill holes where the mounting screws will be installed.
6. Secure screws (or other hardware appropriate for the mounting surface) through the mounting holes of the AquaLink TCX enclosure.

3.2 Wiring

⚠ WARNING

Risk of electric shock which can result in serious injury or death: Before attempting to install or service, ensure that all power to the circuit supplying power to the system is disconnected or turned off at the circuit breaker. All wiring must be done in accordance with the National Electrical Code® (NEC(R))®, NFPA70®.

In Canada, the Canadian Electrical Code (CEC), CSA C22.1, must be followed. All applicable local installation codes and regulations must be followed.

Wiring connections must be made exactly as shown in the wiring diagram found on the inside of the power center door panel. The NEC and CEC also require that the equipment and/or appliances associated with the pool water circulating system, including, but not limited to, pump motors and

heaters, be bonded together as part of the equipotential bonding grid. Zodiac Pool Systems LLC provides a labeled bonding lug on the bottom of the power center to accommodate this requirement.

3.2.1 High Voltage Wiring (Single Speed Pumps)

NOTE: For single speed pumps the filter pump breaker will be used to power TCX. Relay cannot be configured for use with other equipment due to being in use for the pump.

1. Turn off power at the breaker panel.
2. Remove two of the knockouts from the enclosure. One knockout will lead to the breaker panel and the other will lead to the pool equipment.
3. Thread a 1/2" MPT terminal adapter into the knockouts on the enclosure.
4. Cut and run conduit. Measure the distance from the filter pump breaker to the enclosure.
5. Cut a piece of 1/2" electrical conduit to match the distance..
6. Feed cables from the filter pump breaker through the conduit and into the AquaLink TCX enclosure.
7. Press the conduit into the terminal adapter.
8. Locate the two input power cables that come from the filter pump breaker.
9. Connect one 'Line' input to Terminal 1 and the other to Terminal 3, see Figure 2 (a).

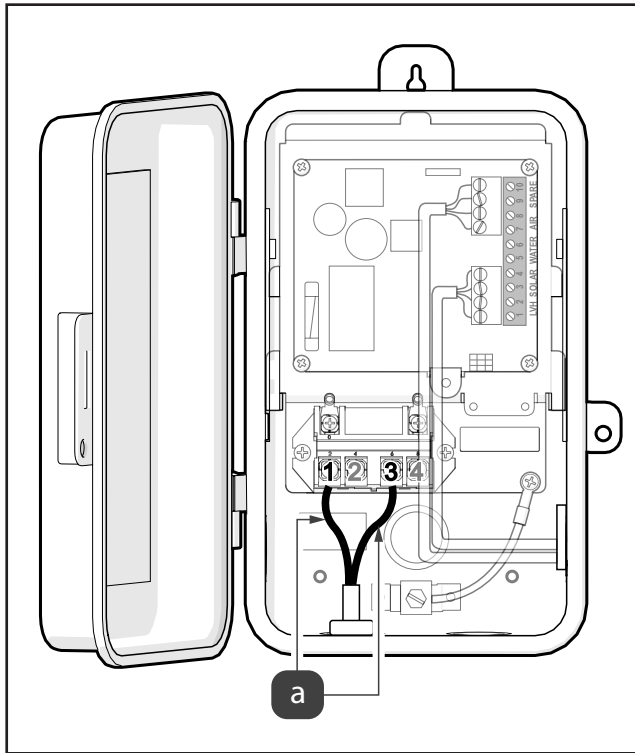


Figure 2. Connect Input Cables

10. Connect single speed filter pump to load side of relay, use terminals 2 and 4, see Figure 3 (a).

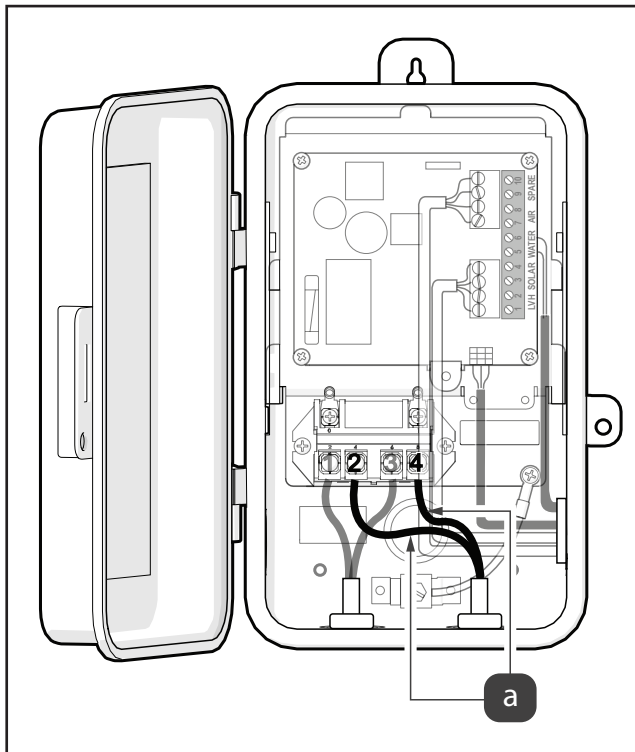


Figure 3. Connect Load Input Cables

3.2.2 High Voltage Wiring (Variable Speed Pumps)

NOTE: The variable speed pump must be wired “hot”.

1. Turn off power at the breaker panel.
2. Remove two of the knockouts from the enclosure. One knockout will lead to the breaker panel and the other will lead to the pool equipment.
3. If relay is not to be used for a Saltwater Chlorinator, connect Equipment (Lighting/ Water Feature Pump/Booster Pump/Solar Pump). Measure the distance from the equipment to the enclosure.
4. If relay will be used for Saltwater Chlorinator, pull lines from Filter Pump breaker to line side of relay and wire pump on line side of the relay. Wire the Saltwater Chlorinator to load side.
5. Cut a piece of 1/2" electrical conduit to match this distance.
6. Feed the cables from the equipment through the conduit and into the AquaLink TCX enclosure.
7. Press the conduit into the terminal adapter.
8. Connect the ground wire to the green screw located on the AquaLink TCX chassis. The ground wire will be green/yellow.
9. Connect one “Load” input to Terminal 2 and the other to Terminal 4, see Figure 4 (a).

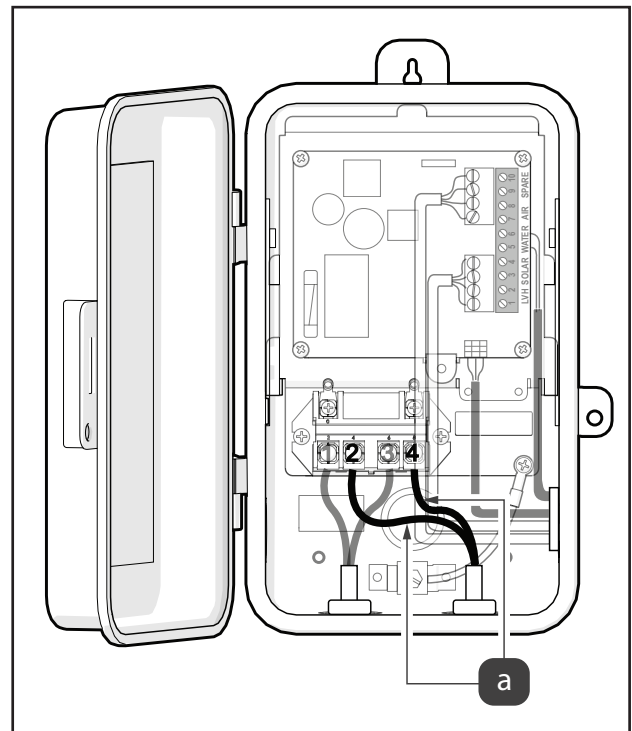


Figure 4. Connect Load Input Cables

3.3.2 Low Voltage Wiring

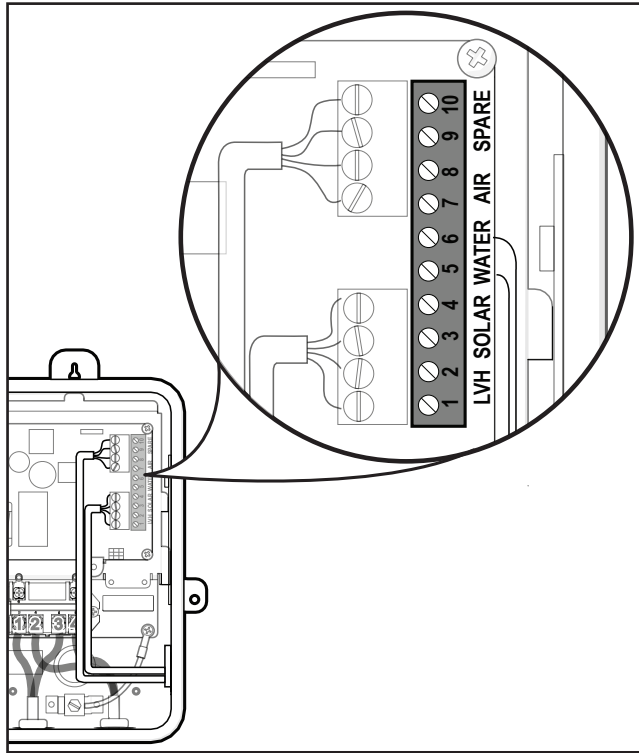


Figure 5. Green 10 Pin Connector Close Up

NOTE: Permanently separate high and low voltage wiring by using corrugated tubing.

1. Connect the low voltage RS-485 communication wires.
2. If JVA is present, thread JVA connector through the lower right corner of the board, through the side knockout and strain relief fitting.
3. Connect JVA cable, see Figure 6 (a).

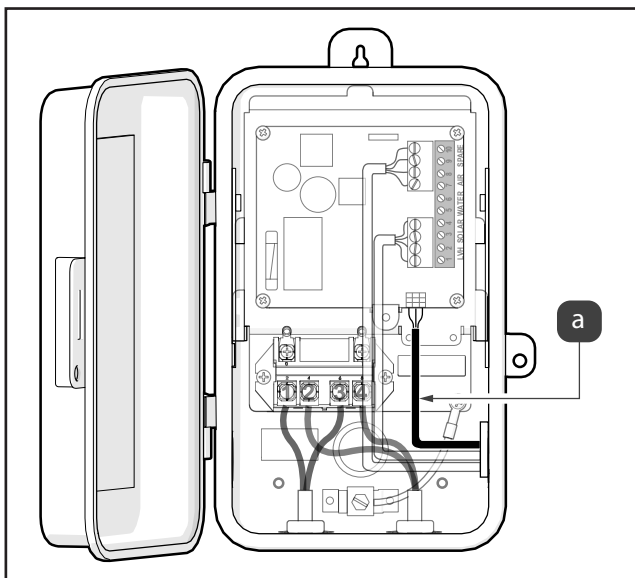


Figure 6. Pool Only Version, Connect Line Inputs & JVA Cable

4. Install Low Voltage Wires. Install the wires for the temperature sensor connections through the side knockout, see Figure 7 (a).
5. Connect wires in the order listed on the board.
6. Check all connection points and wiring for secure connections.

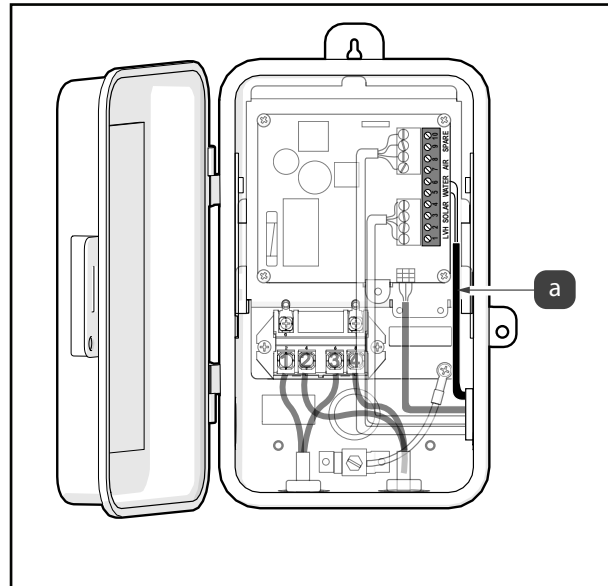


Figure 7. Connect Low Voltage Wires

7. If bottom half of dead panel needs to be removed use some diagonal pliers to cut the two rear tabs, see Figure 8 (a).
8. Cut dead panel label across dead panel opening, see Figure 8 (b).
9. Swing dead panel bottom back and forth until front tabs break off, see Figure 8 (c).

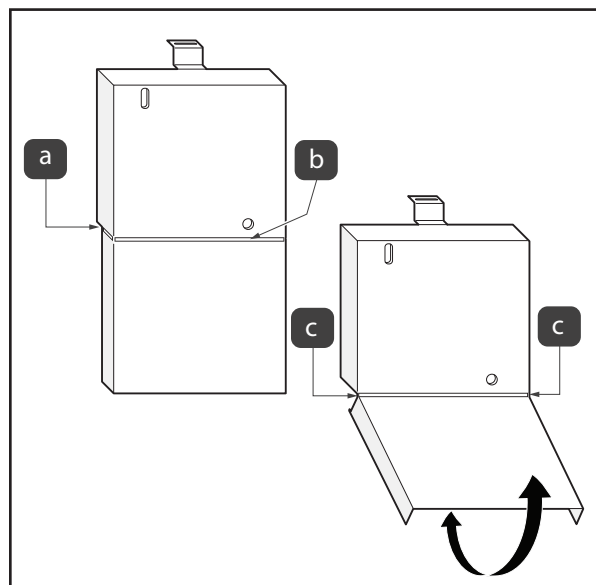


Figure 8. Reinstall Dead Front

10. Reinstall the dead front panel with the screw provided
11. Close the enclosure door.
12. Turn on the breaker to restore power.

3.3 Installing the Air Temperature Sensor

NOTE: DO NOT place the sensor in direct sunlight.

1. Install the Air Temperature Sensor in a convenient location exposed to outdoor temperatures.
2. Run the sensor wire to the Aqualink TCX power center through the low voltage raceway (See wiring diagram on Power Center door).

NOTE: Determine the length the sensor wire needs to be. Cut the end of the wire off, DO NOT splice this wire.

3. Remove the green 10-pin terminal bar from the Power Center Board.
4. Place the BLACK wire in terminal #7 and the RED wire in terminal #8.
5. Replace the green 10-pin terminal bar on the Power Center Board.
6. Turn on the breaker to restore power.

3.4 Installing and Wiring the Command Hub

- See Command Hub Installation Manual for detailed instructions.

3.5 Installing Wireless Light Switch

- Follow the app and the included instructions to pair your wireless light switch.
- Compatible with Jandy part number WLS4INF

3.6 Bonding

Zodiac Pool Systems LLC, requires that the AquaLink TCX power center be connected to a “bonding loop” that includes all electrical equipment in the system and on the equipment pad. Bonding lugs must be connected with a solid copper wire not smaller than 8 AWG (6 AWG in Canada). Failure to do so may void the Zodiac Pool Systems LLC warranty.

CAUTION

To prevent premature failure of the equipment resulting from stray voltages and voltage differentials, the AquaLink TCX power center must be bonded to other equipment which is part of the pool plumbing system with a solid copper wire not smaller in diameter than 8 AWG (6 AWG in Canada).

Additionally, in the United States the National Electrical Code® (NEC®) and in Canada the Canadian Electrical Code (CEC), require that all metallic components of a pool structure, including reinforcing steel, metal fittings and above ground components be bonded together (forming an equipotential bonding grid) with a solid copper conductor not smaller than an 8 AWG (6 AWG in Canada). The NEC and CEC also require that the equipment and/or appliances associated with the pool water circulating system, including, but not limited to, pump motors and heaters, be bonded together as part of the equipotential bonding grid. Zodiac Pool Systems LLC provides special labeled bonding lugs on the bottom of the power center to accommodate this requirement.

After bonding the electronics to the grounding lug, installer must verify ground continuity using a multimeter.

Bonding lug is provided with kit and should be installed no higher than 2 inches from the bottom of the enclosure. Use a 1/8” drill bit to install hardware.

Section 4. AquaLink TCX™ Retro Fit Installation

4.1 Wiring

The AquaLink TCX chassis and PIB has been designed to easily install into the Intermatic® T104R and T30004R metal enclosures.

- Installer must ensure that the Intermatic® enclosure is in acceptable working condition; including all seals/gaskets must be in place and functional; door/hinges/locks must be functional; grounding lug must be present, functional, and bonded; and corrosion must not compromise ingress protection against weather. Otherwise a new enclosure must be used.

⚠ WARNING

Risk of electric shock which can result in serious injury or loss of life: Before attempting to install or service, ensure that all power to the circuit supplying power to the system is disconnected or turned off at the circuit breaker. All wiring must be done in accordance with the National Electrical Code® (NEC)®, NFPA-70®.

In Canada, the Canadian Electrical Code (CEC), CSA C22.1, must be followed. All applicable local installation codes and regulations must be followed.

Wiring connections must be made exactly as shown in the wiring diagram found on the inside of the power center door panel. The NEC and CEC also require that the equipment and/or appliances associated with the pool water circulating system, including, but not limited to, pump motors and heaters, be bonded together as part of the equipotential bonding grid. Zodiac Pool Systems LLC. provides a labeled bonding lug on the bottom of the power center to accommodate this requirement.

1. Turn power off at breaker panel.
2. Disconnect high voltage wiring.
3. Remove time clock by pressing mounting tab down and pulling out the clock assembly, see Figure 9 (a)

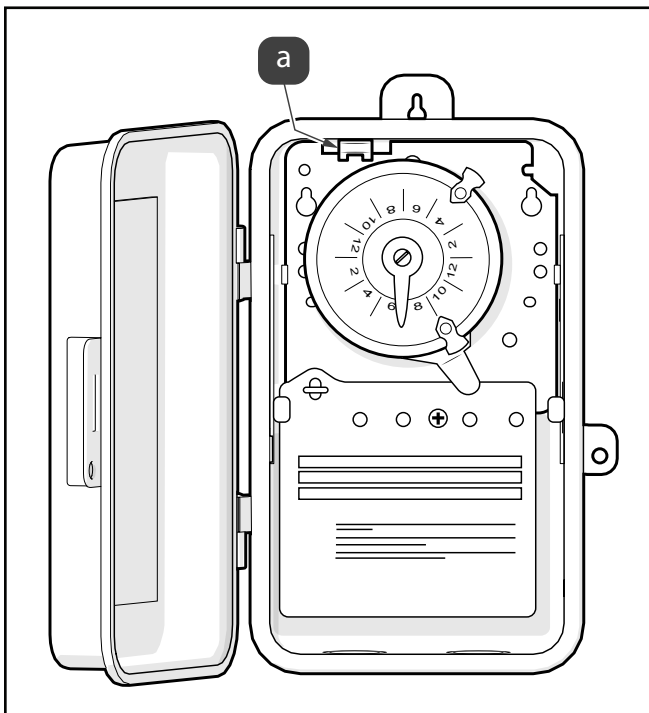


Figure 9. Remove Time Clock from Intermatic® Unit

4. Lower AquaLink TCX chassis into empty Intermatic® box, slide under retainer ears, see Figure 10 (a)

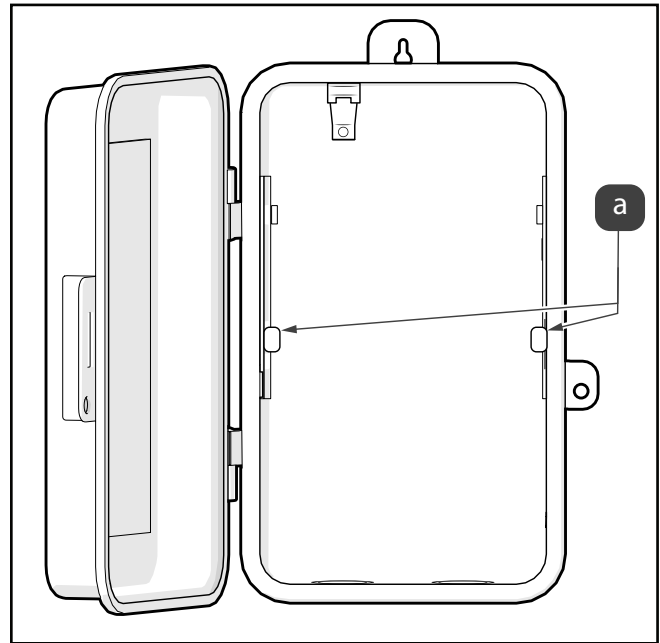


Figure 10. Intermatic® Retaining Ears Location

5. Push AquaLink TCX chassis until it locks into place under the mounting tab see Figure 11 (a)
6. Connect the ground wire to the green screw located on the AquaLink TCX mechanism see Figure 11 (b).
7. Install bonding lug if one doesn't already exist. (See section 4.3)
8. If there is no spring clip, secure TCX chassis with retention screw, see Figure 11 (c).

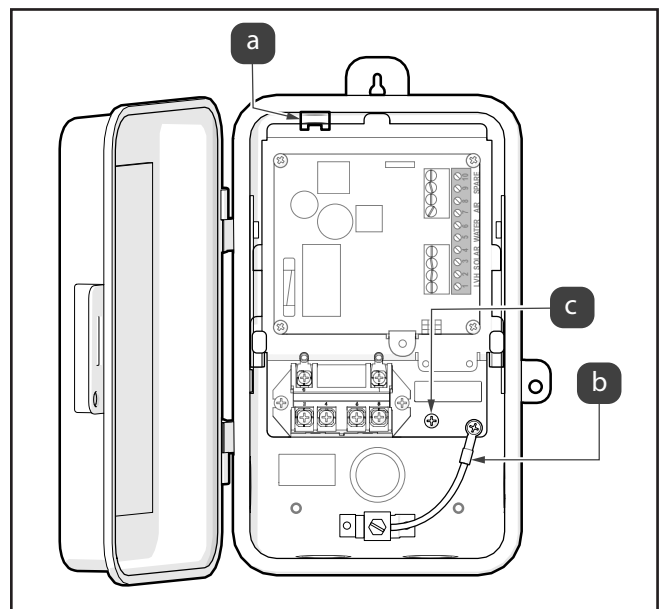


Figure 11. Mounting and Grounding TCX Chassis

4.1.1 Low Voltage Wiring

NOTE: Permanently separate high and low voltage wiring by using corrugated tubing.

1. Connect the low voltage RS-485 communication wires.
2. Locate the two input power cables that come from the breaker, see Figure 12 (a).
3. Connect one 'Line' input to Terminal 1 and the other to Terminal 3, see Figure 12 (b).
4. If JVA is present, thread JVA connector through the lower right corner of the board, through the side knockout and strain relief fitting.
5. Connect JVA cable, see Figure 12 (c).

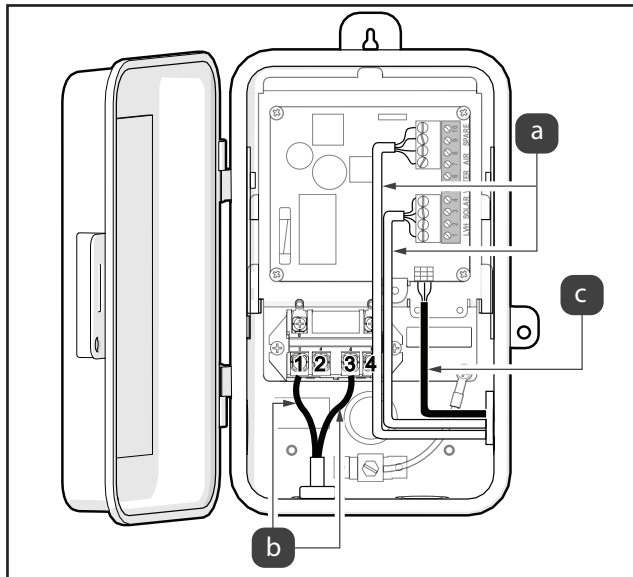


Figure 12. Pool Only Version, Connect Line Inputs & JVA Cable

6. Install Low Voltage Wires. Install the wires for the temperature sensor connections through the side knockout, see Figure 13 (a).
7. Connect wires in the order listed on the board.
8. Connect Equipment (Lighting/Salt/Pump). Measure the distance from the equipment to the enclosure.
9. Cut a piece of 1/2" electrical conduit to match this distance.
10. Feed the cables from the equipment through the conduit and into the AquaLink TCX enclosure.
11. Press the conduit into the terminal adapter.

12. Connect the ground wire to the green screw located on the AquaLink TCX chassis. The ground wire will be green/yellow.
13. Locate the two input cables that come from the equipment.
14. Connect one "Load" input to Terminal 2 and the other to Terminal 4, see Figure 13 (b).
15. Check all connection points and wiring for secure connections.

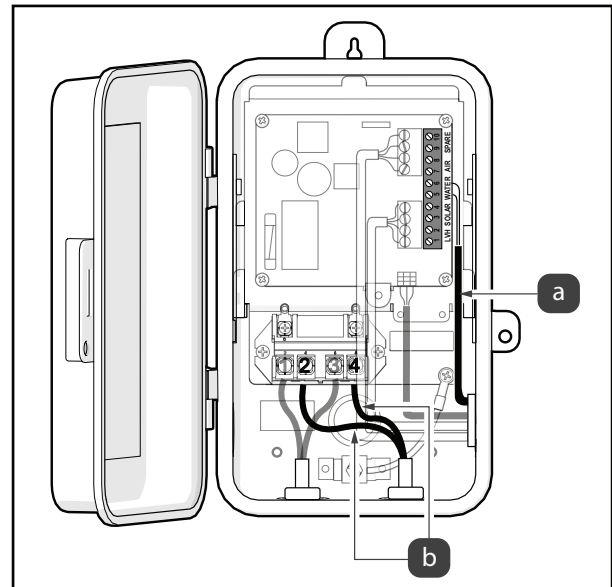


Figure 13. Connect Load Input Cables

16. If bottom half of dead panel needs to be removed use some diagonal pliers to cut the two rear tabs, see Figure 14 (a).
17. Cut dead panel label across dead panel opening, see Figure 14 (b).
18. Swing dead panel bottom back and forth until front tabs break off, see Figure 14 (c).

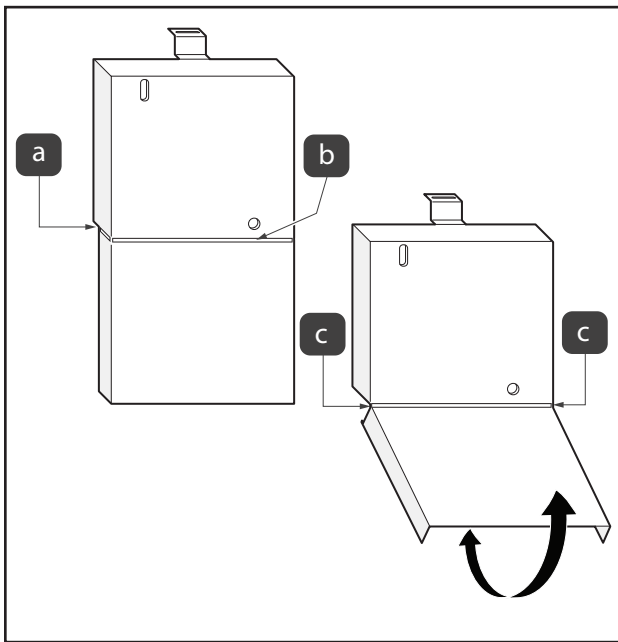


Figure 14. Reinstall Dead Front

19. Install the dead front panel with the screw provided.
20. Close the enclosure door.
21. Turn on the breaker to restore power.

4.2 Installing the Air Temperature Sensor

NOTE: DO NOT place the sensor in direct sunlight.

1. Install the Air Temperature Sensor in a convenient location exposed to outdoor temperatures.
2. Run the sensor wire to the Aqualink TCX power center through the low voltage raceway (See wiring diagram on Power Center door).

NOTE: Determine the length the sensor wire needs to be. Cut the end of the wire off, DO NOT splice this wire.

3. Remove the green 10-pin terminal bar from the Power Center Board.
4. Place the BLACK wire in terminal #7 and the RED wire in terminal #8.
5. Replace the green 10-pin terminal bar on the Power Center Board.
6. Turn on the breaker to restore power.

4.3 Installing and Wiring the Command Hub

- See Command Hub Installation Manual for detailed instructions.

4.4 Installing Wireless Light Switch

- Follow the app and the included instructions to pair your wireless light switch.
- Compatible with Jandy part number WLS4INF

4.5 Bonding

Zodiac Pool Systems LLC., requires that the AquaLink TCX power center be connected to a “bonding loop” that includes all electrical equipment in the system and on the equipment pad. Bonding lugs must be connected with a solid copper wire not smaller than 8 AWG (6 AWG in Canada). Failure to do so may void the Zodiac Pool Systems LLC warranty.

CAUTION

To prevent premature failure of the equipment resulting from stray voltages and voltage differentials, the AquaLink TCX power center must be bonded to other equipment which is part of the pool plumbing system with a solid copper wire not smaller in diameter than 8 AWG (6 AWG in Canada).

Additionally, in the United States the National Electrical Code® (NEC®) and in Canada the Canadian Electrical Code (CEC), require that all metallic components of a pool structure, including reinforcing steel, metal fittings and above ground components be bonded together (forming an equipotential bonding grid) with a solid copper conductor not smaller than an 8 AWG (6 AWG in Canada).

The NEC and CEC also require that the equipment and/or appliances associated with the pool water circulating system, including, but not limited to, pump motors and heaters, be bonded together as part of the equipotential bonding grid. Zodiac Pool Systems LLC provides special labeled bonding lugs on the bottom of the power center to accommodate this requirement.

After bonding the electronics to the grounding lug, installer must verify ground continuity using a multimeter.

Bonding lug is provided with kit and should be installed no higher than 2 inches from the bottom of the enclosure. Use a 1/8” drill bit to install hardware.

NOTES

Zodiac Pool Systems LLC

2882 Whiptail Loop # 100, Carlsbad CA 92010

1.800.822.7933 | Jandy.com

Zodiac Pool Systems Canada, Inc

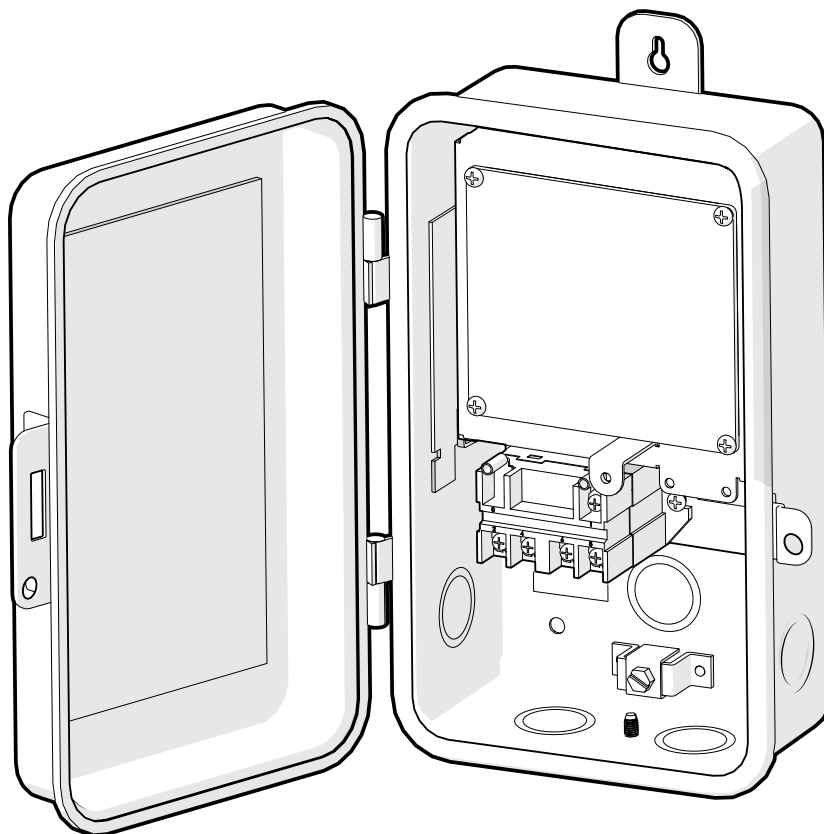
3365 Mainway, Unit 2

Burlington, Ontario L7M 1A6

1-888-647-4004 | Jandy.ca

*ZODIAC® is a registered trademark of Zodiac International, S.A.S.U., used under license.
All other trademarks referenced herein are the property of their respective owners.*

©2020 Zodiac Pool Systems LLC H0666500_REVE



Centre d'alimentation AquaLink® TCX™ *Piscine seulement*

⚠ MISE EN GARDE

POUR VOTRE SÉCURITÉ - Ce produit doit être installé et entretenu par un entrepreneur qualifié et certifié en équipement de piscines par la juridiction dans laquelle la piscine doit être installée, là où ces exigences provinciales ou locales existent. En l'absence d'exigences étatiques ou locales, la personne chargée de l'installation doit être un professionnel disposant de suffisamment d'expérience dans l'installation et l'entretien d'équipement de piscine afin de suivre avec précision toutes les directives contenues dans ce manuel. Une installation et/ou un fonctionnement inapproprié peut présenter de dangereux risques électriques, ce qui peut causer des tensions élevées au sein du système électrique. Avant d'installer ce produit, lire et suivre tous les avertissements et toutes les directives qui accompagnent ce produit. Tout non-respect des instructions d'avertissement peut entraîner des dommages matériels, des blessures corporelles ou même la mort. Une mauvaise installation ou utilisation annule la garantie.



Si ces directives ne sont pas suivies à la lettre, un incendie ou une explosion peut entraîner un dommage matériel, une blessure corporelle ou ou même mort.

À L'ATTENTION DE L'INSTALLATEUR : le présent manuel contient d'importantes informations sur l'installation, le fonctionnement et l'utilisation sécuritaires de ce produit. Ces informations doivent être transmises au propriétaire ou à l'utilisateur de cet équipement.

Table des matières

Section 1. CONSIGNES DE SÉCURITÉ	
IMPORTANTES.....	19
1.1	Consignes de sécurité..... 19
1.2	Directives pour la prévention de l'effet ventouse d'une pompe de piscine..... 21
1.3	Outils et équipement nécessaires 22
1.4	Matériaux fournis par l'installateur 23
1.5	Spécifications 23
Section 2. Aperçu du système	23
2.1	Contenu de l'emballage 23
2.2	Exigences relatives à l'emplacement... 23
Section 3. Installation du centre d'alimentation	
AquaLink TCX.....	23
3.1	Montage 23
3.2	Câblage..... 24
3.3	Installation du capteur de température de l'air extérieur 27
3.4	Installation et câblage du centre de commande 27
3.5	Installation du commutateur d'éclairage sans fil..... 27
3.6	Liaison électrique 27
Section 4. AquaLink TCX™ Installation avec	
modification	27
4.1	Câblage..... 27
4.2	Installation du capteur de température de l'air extérieur..... 30
4.3	Installation et câblage du centre de commande 30
4.4	Installation du commutateur d'éclairage sans fil..... 30
4.5	Liaison électrique 30

Section 1. CONSIGNES DE SÉCURITÉ IMPORTANTES

LIRE ET SUIVRE TOUTES LES DIRECTIVES

1.1 Consignes de sécurité

Tout travail en lien avec l'électricité doit être effectué par un électricien qualifié et doit se conformer aux codes nationaux, étatiques, provinciaux et locaux. Lors de l'installation et de l'utilisation de cet équipement électrique, les consignes de sécurité élémentaires doivent toujours être respectées, notamment les mises en garde suivantes :

MISE EN GARDE

ÉQUIPEMENT SOUS PRESSION : toujours éteindre la pompe avant de procéder à l'installation ou à l'entretien. Votre système pompe-filtre fonctionne dans un environnement pressurisé. La pression doit donc être relâchée avant intervention. Veuillez consulter le manuel du propriétaire fourni avec votre pompe/filtre pour prendre connaissance des informations supplémentaires.

MISE EN GARDE

Afin de réduire le risque de décharge électrique, d'incendie ou de blessure, les interventions sur l'équipement doivent uniquement être effectuées par un professionnel dûment qualifié pour intervenir sur les équipements de piscine.

Risque d'électrocution : installez le centre d'alimentation à au moins cinq (5) pi (1,52 m) de la paroi intérieure de la piscine et/ou de la cuve thermique à l'aide d'une tuyauterie non métallique. Les installations canadiennes doivent être situées à au moins trois (3) mètres de l'eau.

MISE EN GARDE

Le risque de choc électrique peut entraîner de graves blessures voire la mort : assurez-vous que tout courant vers le circuit qui alimente le système est débranché ou désactivé au niveau du disjoncteur avant de procéder à l'installation ou à l'entretien. Tous les câblages doivent être faits en conformité avec le National Electrical Code® (NEC®) ou NFPA-70®, y compris ceux de l'Article 680 - Piscines, fontaines et installations semblables.

Au Canada, le Code canadien de l'électricité (CEC), CSA C22.1, doit être appliqué. Tous les codes locaux d'installation doivent être suivis.

ATTENTION : ce centre d'alimentation et le centre de contrôle du système de chloration ne doivent pas être considérés comme étant adaptés pour une utilisation en tant qu'équipement de service. Par conséquent, il est nécessaire de disposer des moyens appropriés de déconnexion, d'isolation des circuits et/ou de protection des circuits de dérivation installés en amont du centre d'alimentation/de contrôle

MISE EN GARDE

Afin de réduire les risques de blessures, ne pas permettre aux enfants d'utiliser ce produit à moins qu'ils soient étroitement surveillés en tout temps

MISE EN GARDE

Risques de noyade accidentelle. Exercer la plus grande prudence afin d'empêcher tout accès non autorisé aux enfants. Pour éviter les accidents, s'assurer que les enfants n'utilisent pas de spas ni de cuves thermales, sauf s'ils sont étroitement surveillés en tout temps

Cet appareil n'est pas conçu pour être utilisé par des personnes (incluant des enfants) avec des capacités physiques, sensorielles ou mentales réduites, ou qui n'ont pas assez d'expérience ou de connaissance, à moins d'être supervisées ou instruites sur l'utilisation de l'appareil par la personne responsable de leur sécurité.

ÉVITER LE RISQUE DE NOYADE DES ENFANTS : ne pas laisser personne, surtout des jeunes enfants, s'asseoir, mettre le pied, s'appuyer ou monter sur des appareils faisant partie du système opérationnel de la piscine. Placer les composants de votre système opérationnel au moins à 1 m (3 pi 3 po) de la piscine pour que les enfants ne puissent pas utiliser l'équipement

pour accéder à la piscine, et ainsi se blesser ou se noyer.

Pour réduire le risque de blessures, ne pas enlever les raccords de tuyauterie d'aspiration de votre spa ou de votre cuve thermique. Ne jamais utiliser un spa ou une cuve thermique si les raccords de tuyauterie d'aspiration sont brisés ou absents. Ne jamais remplacer un raccord de tuyauterie d'aspiration par un autre de classification inférieure au débit spécifié dans l'assemblage de l'équipement.

MISE EN GARDE

Pour éviter les blessures, assurez-vous que vous utilisez ce système pour contrôler les chauffe-piscine/spa emballés qui sont dotés de contrôles pour le fonctionnement et la sécurité de fin de course afin de limiter la température de l'eau pour les applications de piscines/spas. Ce dispositif n'est pas destiné à se substituer à un contrôle avec sécurité de fin de course. Une température de l'eau excédant 100 °F (38 °C) peut nuire à votre santé.

MISE EN GARDE

Une barrette à bornes marquée « GROUND » est fournie dans le centre d'alimentation. Afin de réduire le risque d'électrocution, branchez cette barrette à bornes à la borne de mise à la terre de votre panneau de service d'alimentation électrique avec un conducteur en cuivre continu doté d'un isolant vert ainsi qu'un autre équivalent en taille aux conducteurs du circuit alimentant cet équipement, mais pas plus petit qu'un conducteur en cuivre de calibre n° 12 AWG (3,3 mm²). En outre, un second connecteur de fil devra être relié avec un conducteur en cuivre de calibre n° 8 AWG (de 8,4 mm²) à n'importe quelle échelle métallique, canalisation d'eau ou autres métaux à moins de cinq (5) pi (1,52 m) de la piscine/du spa. Au Canada, le fil de liaison doit être au minimum d'un calibre de 6 AWG (13,3 mm²).

MISE EN GARDE

Un disjoncteur de fuite à la terre doit être fourni si ce dispositif est utilisé pour contrôler les blocs d'éclairage sous-marin. Les conducteurs côté demande du disjoncteur de fuite à la terre ne doivent pas être installés dans les conduits, boîtes ou enceintes contenant d'autres conducteurs à moins que les conducteurs supplémentaires soient également protégés par un disjoncteur de fuite à la terre. Consulter les codes locaux pour tous les détails.

MISE EN GARDE : ce dispositif est conçu pour être utilisé avec des piscines permanentes et peut aussi être utilisé dans les cuves thermales et les spas, si indiqué. Ne pas utiliser avec des piscines pouvant être entreposées. Une piscine permanente est construite dans le sol, sur le sol ou dans un bâtiment, de telle manière qu'elle ne puisse pas être facilement démontée et rangée. Une piscine pouvant être rangée est construite pour pouvoir être démontée facilement aux fins d'entreposage, puis remontée à son état initial.

En mélangeant de l'acide ou d'autres produits chimiques avec de l'eau, **TOUJOURS AJOUTER L'ACIDE OU LES PRODUITS CHIMIQUES À L'EAU. NE JAMAIS AJOUTER L'EAU À L'ACIDE OU AUX PRODUITS CHIMIQUES.**

MISE EN GARDE : il est important de noter que certains matériaux utilisés dans les spas et les piscines ou à proximité de ceux-ci peuvent être incompatibles avec les produits chimiques habituellement utilisés pour purifier l'eau des spas ou des piscines (p. ex., acides, chlore, sel, stabilisants, etc.).

Zodiac Pool Systems, LLC ne garantit pas que l'eau chlorée générée par l'électrolyseur Jandy Pro Series n'endommagera ni ne détruira certains types de plantes, de terrasses, de platelages ou d'autres matériaux présents dans ou autour de la piscine ou

du spa. Avant de sélectionner les matériaux qui seront utilisés à l'intérieur de votre piscine ou de votre spa ou à proximité de ceux-ci, veuillez discuter avec votre entrepreneur des options disponibles pour évaluer la compatibilité de tels matériaux avec les produits chimiques.

Quelques conseils utiles :

- Choisir des plantes qui supportent les éclaboussures d'eau de piscine contenant du chlore ou du sel et d'autres produits chimiques de purification.
- Toutes les pièces métalliques utilisées à l'intérieur ou à proximité de la piscine doivent être fabriquées en acier inoxydable de qualité supérieure.
- Sélectionner minutieusement les produits de maçonnerie. La porosité et la dureté des pierres naturelles varient grandement. Nous vous recommandons donc de discuter avec l'entrepreneur responsable des travaux de maçonnerie afin de choisir la meilleure solution en ce qui concerne les pierres à utiliser autour de votre piscine ou de votre spa.
- Sceller tous les produits de maçonnerie. Les professionnels de l'industrie de la pierre précisent qu'il faut sceller même les pierres naturelles, surtout lorsqu'elles sont utilisées à l'extérieur, afin d'empêcher l'altération, le ternissement et une dégradation prématurée. Consulter l'entrepreneur responsable des travaux de maçonnerie ou de la construction de votre terrasse afin de sélectionner le scellant adéquat pour les produits de maçonnerie qui seront utilisés autour de votre piscine ou de votre spa.
- Pour obtenir les meilleurs résultats, les scellants doivent être appliqués régulièrement. Appliquer le scellant protecteur régulièrement, conformément aux instructions du fabricant.
- L'utilisation de produits chimiques autres que ceux recommandés peut être dangereuse. Suivre les directives des fabricants de produits chimiques.

⚠ MISE EN GARDE

Une immersion prolongée dans l'eau chaude peut entraîner une hyperthermie. L'hyperthermie survient lorsque la température interne corporelle monte de plusieurs degrés au-dessus de la température normale corporelle de 37 °C (98,6 °F). Les symptômes comprennent des étourdissements, évanouissements, somnolences, léthargies et une augmentation de la température corporelle interne. Les effets de l'hyperthermie comprennent :

- Inconscience par rapport à un danger imminent
- Le défaut de percevoir la chaleur
- Le défaut de reconnaître le besoin de quitter le spa
- L'incapacité physique de quitter le spa
- Lésions fœtales chez la femme enceinte
- Inconscience entraînant un risque de noyade

Pour réduire le risque de blessure :

- La température de l'eau dans le spa ne doit jamais dépasser 40 °C (104 °F). Les températures de l'eau entre 38 °C (100 °F) et 40 °C (104 °F) sont considérées sécuritaires pour un adulte en santé. Une température d'eau inférieure est recommandée pour les enfants et lorsque l'utilisation du spa dépasse 10 minutes.
- Puisqu'une température d'eau excessive présente un grand potentiel de risque pour le fœtus durant les premiers mois d'une grossesse, les femmes enceintes ou potentiellement enceintes doivent limiter la température de l'eau à 38 °C (100 °F).
- Avant d'entrer dans un spa ou une cuve thermique, l'utilisateur devrait vérifier la température de l'eau à l'aide d'un thermomètre précis, car la tolérance des dispositifs de régulation de température de l'eau varie.
- L'ingestion d'alcool, de drogues ou de médicaments avant l'usage d'un spa ou d'une cuve thermique peut entraîner une perte de conscience avec une possibilité de noyade.
- Il est recommandé que les personnes obèses et les personnes ayant des antécédents de maladie coronarienne, de tension artérielle élevée ou basse, de problèmes de circulation ou de diabète consultent un médecin avant d'utiliser un spa.
- Il est recommandé que les personnes sous médication consultent un médecin avant d'utiliser un spa car certains médicaments peuvent induire une somnolence et d'autres peuvent affecter le rythme cardiaque, la tension artérielle et la circulation sanguine.
- Les personnes atteintes de maladies infectieuses ne devraient pas utiliser un spa ou une cuve thermique.
- Pour éviter des blessures, faire bien attention en entrant ou en sortant du spa ou de la cuve thermique.
- Ne pas consommer de drogues ou d'alcool avant ou pendant l'utilisation d'un spa ou d'une cuve thermique afin d'éviter la perte de conscience ou une possible noyade.

- Les femmes enceintes ou qui pensent l'être devraient consulter un médecin avant d'utiliser un spa ou une cuve thermique.
- La température de l'eau excédant 38 °C (100 °F) peut nuire à la santé.
- Avant d'entrer dans un spa ou une cuve thermique, vérifier la température de l'eau à l'aide d'un thermomètre précis.
- Ne pas utiliser un spa ou une cuve thermique immédiatement après avoir pratiqué une activité physique intense.
- L'immersion prolongée dans un spa ou une cuve thermique peut être nuisible à votre santé.
- Ne pas permettre l'utilisation d'appareil électrique (comme une lampe, un téléphone, un radio ou une télévision) à moins de 1,5 m (5 pi) d'un spa ou d'une cuve thermique.
- L'utilisation de l'alcool, des drogues ou des médicaments peut augmenter considérablement le risque d'hyperthermie mortelle dans les spas ou les cuves thermales.

⚠ MISE EN GARDE

Une mauvaise installation ou un mauvais entretien d'une chaudière à gaz peut causer des nausées ou une asphyxie par oxyde de carbone se trouvant dans les gaz de combustion qui peuvent entraîner de graves blessures, voire la mort. Pour une installation à l'intérieur, Zodiac Pool Systems LLC recommande vivement, comme mesure supplémentaire, d'installer des détecteurs de monoxyde de carbone adaptés à proximité de cet appareil et de tous les espaces adjacents occupés.

⚠ MISE EN GARDE

Les systèmes de génération de chlore série Pro de Jandy sont uniquement destinés aux piscines domestiques (résidentielles). Une mauvaise utilisation peut dégrader les performances, entraîner l'annulation de la garantie et causer des dommages matériels et des blessures physiques, voire mortelles.

- Utiliser un électrolyseur sans débit d'eau à travers la cellule peut entraîner un accroissement de gaz inflammables, causant un incendie ou une explosion.
- Garder l'équipement hors de la portée des enfants.
- Un cordon d'alimentation endommagé doit uniquement être remplacé par le fabricant, l'agent d'entretien ou l'électricien.
- Lors de l'installation et de l'utilisation de cet équipement électrique, toujours suivre les précautions de sécurité élémentaire.
- Avant de procéder à l'installation, déconnecter toute source d'alimentation.
- Brancher à un circuit protégé par un disjoncteur de fuite à la terre (GFCI).
- Ne pas l'installer dans un boîtier d'extérieur ou sous les rebords d'un spa.

ATTENTION : ce dispositif est conforme à la partie 15 des directives FCC. Son fonctionnement est soumis aux deux conditions suivantes : (1) ce dispositif ne doit pas provoquer d'interférences nuisibles, et (2) ce dispositif doit accepter toute interférence reçue, y compris celles qui pourraient provoquer un fonctionnement indésirable.

REMARQUE : cet équipement a été testé et déclaré conforme aux limites pour un appareil numérique de Classe B, conformément à la partie 15 des directives FCC. Ces limites sont conçues pour fournir une protection raisonnable contre les interférences nuisibles dans une installation résidentielle. Cet équipement génère, utilise et peut émettre de l'énergie radio électrique et, s'il n'est pas installé et utilisé conformément aux instructions, peut causer des interférences nuisibles aux communications radio. Toutefois, il n'existe aucune garantie que des interférences ne se produiront pas dans une installation particulière. Si cet équipement cause des interférences nuisibles à la réception des signaux de radio ou de télévision, ce qui peut être déterminé en allumant et en éteignant l'équipement, l'utilisateur est encouragé à essayer de corriger les interférences en prenant une ou plusieurs des mesures suivantes :

- Réorienter ou déplacer l'antenne de réception.
- Augmenter la séparation entre l'équipement et le récepteur.
- Brancher l'équipement à une source électrique sur un circuit différent de celui sur lequel le récepteur est branché.
- Consulter le revendeur ou un technicien radio/TV expérimenté pour obtenir de l'aide.

Les modifications apportées à cet équipement, qui ne sont pas autorisées par le fabricant, peuvent annuler le droit de l'utilisateur d'opérer cet équipement.

1.2 Directives pour la prévention de l'effet ventouse d'une pompe de piscine.

⚠ MISE EN GARDE

L'aspiration générée par la pompe est dangereuse et peut coincer et noyer ou éventrer les baigneurs. Ne pas utiliser ni faire fonctionner des piscines, spas ou cuves thermales si le couvercle de la prise d'aspiration manque, est brisé ou desserré : les directives suivantes fournissent de l'information sur l'installation de la pompe qui minimise les risques de blessures chez les utilisateurs de piscines, de spas ou de cuves thermales :

Protection contre le piégeage : le système d'aspiration de la pompe doit protéger contre les risques de piégeage par aspiration.

Couvercle de la prise d'aspiration : toutes les prises d'aspiration doivent être correctement installées, avec les couvercles vissés en place. Tous les couvercles de la prise d'aspiration (drain) doivent être correctement entretenus. Les couvercles doivent être certifiés selon la dernière version de ANSI®/ASME® A112.19.8 ou sa norme ayant droit, ANSI/ APSP-16. Ils doivent être remplacés s'ils sont fissurés, brisés ou manquants.

Nombre de prises d'aspiration par pompe : fournir aux moins deux (2) drains principaux hydrauliquement équilibrés avec les couvercles, en tant que prises d'aspiration pour chaque conduite d'aspiration de la pompe. Les centres des drains principaux (prise d'aspiration) sur n'importe quelle conduite d'aspiration doivent être situés à au moins 90 cm (3 pi) de distance, centre à centre. Reportez-vous à la Figure 1.

Le système **doit** être construit pour inclure au moins deux (2) prises d'aspiration (drains) raccordées à la pompe lorsqu'elle fonctionne. Cependant, si deux (2) drains principaux deviennent une seule conduite d'aspiration, celle-ci peut être dotée d'une valve qui verrouille les deux drains principaux de la pompe. Le système sera construit de manière à ne pas permettre un verrouillage séparé ou indépendant, ni l'isolation de chaque drain. Reportez-vous à la Figure 1.

D'autres pompes (plus qu'une seule) peuvent être raccordées à une seule conduite d'aspiration tant que les exigences ci-dessus

sont respectées.

Vitesse d'écoulement de l'eau : la vitesse maximale d'écoulement de l'eau à travers le raccord d'aspiration ou le couvercle de n'importe quelle prise d'aspiration doit être de 1.5 pied par seconde, sauf si la prise est conforme à la dernière version de ANSI/ASME A112.19.8 ou à sa norme ayant droite, ANSI/ APSP-16, la norme pour Raccords d'aspiration à utiliser dans les piscines, pataugeoires, spas et cuves thermales. Quoi qu'il en soit, ne pas dépasser le débit d'écoulement maximum conçu pour le raccord d'aspiration.

Si 100 % du débit de la pompe provient du système du drain principal, la vitesse maximale d'écoulement de l'eau dans le système hydraulique d'aspiration de la pompe doit être de six (6) pieds par seconde ou moins, même si un (1) drain principal (prise d'aspiration) est complètement obstrué. Le débit dans le(s) drain(s) principal(aux) doit se conformer à la dernière version de ANSI/ASME A112.19.8 ou à sa norme ayant droite, ANSI/ APSP-16, la norme pour Raccords d'aspiration à utiliser dans les piscines, pataugeoires, spas et cuves thermales.

Essais et certification : les couvercles de prise d'aspiration doivent être testés par un laboratoire d'essais reconnu à l'échelle nationale et se conformer à la dernière version de ANSI/ASME A112.19.8 ou à sa norme ayant droite, ANSI/ APSP-16, la norme pour Raccords d'aspiration à utiliser dans les piscines, pataugeoires, spas et cuves thermales.

Raccords : les raccords limitent le débit; pour une meilleure efficacité, utiliser le moins de raccords possibles (mais au moins deux (2) prises d'aspiration).

Éviter les raccords qui pourraient piéger de l'air.

Les raccords d'aspiration pour piscine doivent se conformer aux normes de l'International Association of Plumbing and Mechanical Officials (IAPMO®).

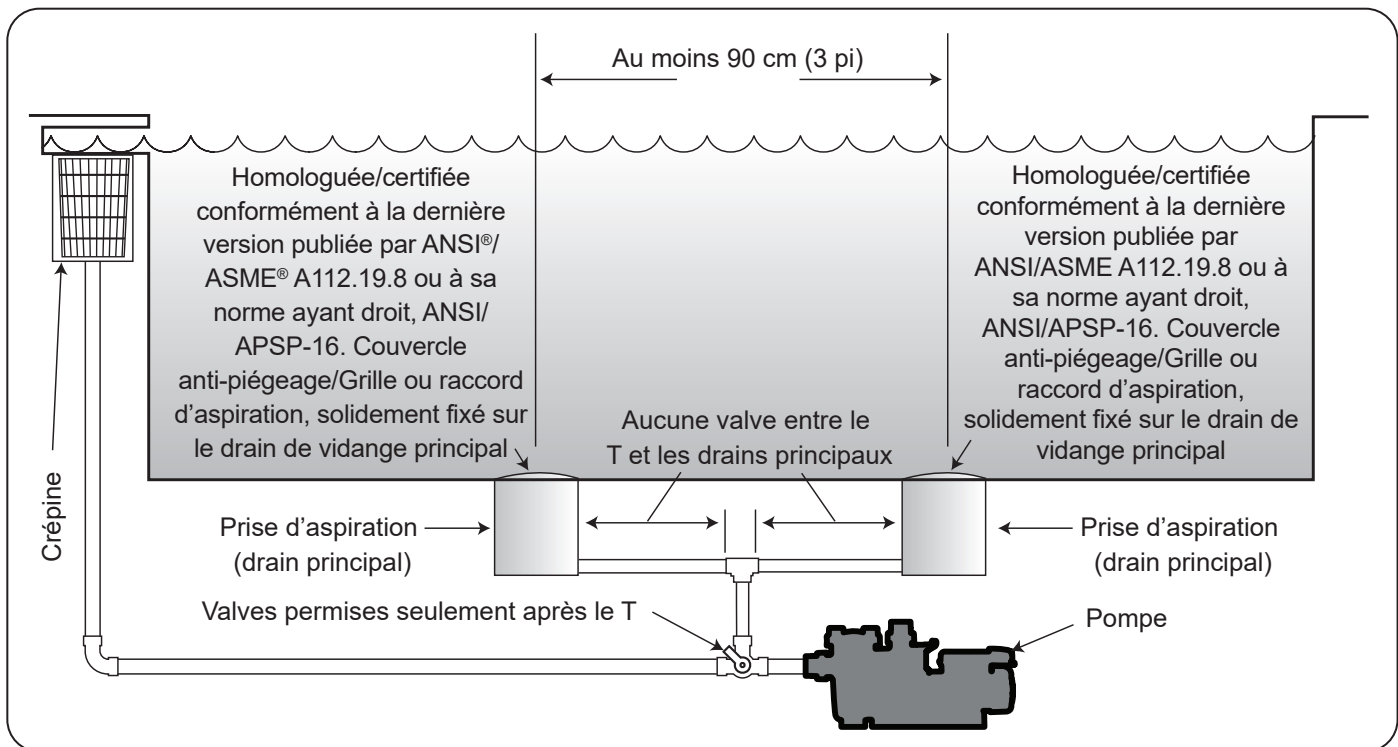


Figure 1. Nombre de prises d'aspiration par pompe

CONSERVER CES DIRECTIVES



Promesse de qualité

En tant que leaders de l'industrie engagés à vous fournir l'expérience de piscine parfaite, nous :

Promettons de maintenir les plus hautes normes de qualité au cours de toutes les étapes de l'opération.

Promettons d'utiliser des matériaux de haute qualité et des procédés de classe mondiale pour fabriquer nos produits.

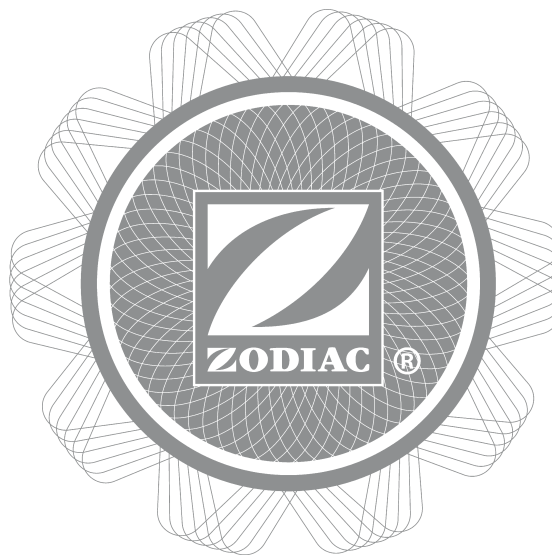
Promettons que votre équipement vous sera fourni entièrement testé en piscine, inspecté et soumis à des tests d'assurance-qualité pour la fiabilité et la durabilité.

Nous tenons notre promesse.

Notre promesse est appuyée par un soutien dédié et par notre garantie de produit expresse.

Veuillez appeler le 1 (800) 822-7933 pour une assistance technique.

Ce que vous dites nous tient à cœur. Dites-nous ce que vous-en pensez en appelant le 1-760-734-8844 ou en nous contactant par courriel à l'adresse feedback@zodiac.com pour toutes questions ou commentaires.



Jandy

Polaris

ZODIAC

1.3 Outils et équipement nécessaires

Assurez-vous que la liste d'outils et équipements suivants est disponible pour l'installateur au moment de l'installation



Lunettes de sécurité



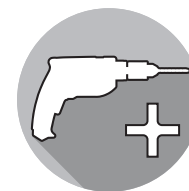
Gants



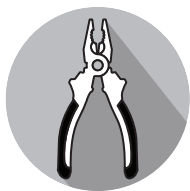
Tournevis*



Dispositif intelligent doté de l'application iAquaLink



Perceuse-visseuse



Combinaison/ Pincés diagonales**



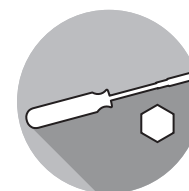
Mètre ruban



Voltmètre



Marteau



Clé hexagonale 1/4 po.

* Petit tournevis plat pour vis de serrage des points de raccordement du filage électrique.

** Pincés diagonales requises si le panneau à face neutre doit être retiré.

1.4 Matériaux fournis par l'installateur

- Conduit flexible
- Raccords de conduit
- Tension élevée du câble n° 12 AWG minimum
- Tension faible du câble - 4 conducteur
Min. n° 22 AWG Câble de communication
(Couleurs des isolants : rouge, noir, jaune, vert)
- Connecteurs de fils (serre-fils)
- Disjoncteurs à tension élevée
- Prise DDFT ou Disjoncteur DDFT

1.5 Spécifications

Bloc d'alimentation		
É.-U.	240/120 Vca, 60/50 Hz, 0,5 A	
CAN	240/120 Vca, 60/50 Hz, 0,5 A	
Valeur nominale du contact		
É.-U.	Tension élevée	25 A; 3 HP @ 240 V c.a. 1 1/2 HP @ 120 V c.a. 1500 watts à incandescence
	Tension faible	Classe 2, 1 A @ 24 V c.a.
CAN	Tension élevée	25 A; 3 HP @ 240 V c.a. 1 1/2 HP @ 120 V c.a. 1500 watts à incandescence
	Tension faible	Classe 2, 1 A @ 24 V c.a.

MISE EN GARDE

Le centre d'alimentation AquaLink TCX ne doit pas être considéré comme étant adapté pour une utilisation en tant qu'équipement de service. Par conséquent, il est nécessaire de disposer des moyens appropriés de déconnexion, d'isolation des circuits et/ou de protection des circuits de dérivation installés en amont du centre d'alimentation.

Section 2. Aperçu du système

Le présent manuel fournit des instructions d'installation et d'utilisation de base pour le centre d'alimentation AquaLink Jandy TCX. Le centre d'alimentation AquaLink TCX est un système d'automatisation intégré capable de commander et de programmer une vaste gamme d'équipements pour piscines résidentielles.

Lisez les instructions d'installation et d'utilisation au complet avant de procéder à l'installation. Conservez ce manuel en lieu sûr pour toute référence ultérieure lors de l'inspection ou de l'entretien du centre d'alimentation.

Avant de commencer, vérifiez que vous avez bien les pièces pertinentes tel qu'indiqué ci-dessous. Si certaines pièces sont manquantes ou non pertinentes, veuillez appeler votre distributeur local ou le soutien technique au 1-800-822-7933 pour toute assistance.

2.1 Contenu de l'emballage

Le contenu de l'emballage varie en fonction du type de configuration du centre d'alimentation AquaLink TCX que vous installez.

AquaLink TCX pour piscines seulement avec automatisation
Boîtier* et PIB
Matériel de montage <ul style="list-style-type: none"> • Vis n° 8 -15 X 1 1/4 po (3) • Ancrage mural n° 8 1 po (Qté 3)
Pochette pour vis et fusibles <ul style="list-style-type: none"> • Fusible 5 A/125 V • Joint torique ID 5/ 32 po • Vis n° 8 -32 X 3/8 po
Trousse de la tubulure du cache câble <ul style="list-style-type: none"> • Tubulure de 24 po • Douille 20,4 mm • Crampon • Vis n° 10-24 X 5/8 po • Écrou 10-24
Capteur de température de l'air extérieur
Commutateur d'éclairage sans fil/plaque murale
Centre de commande
*Remarque : boîtier uniquement inclus sur le modèle TCXP. Le modèle de trousse de conversion n'est pas équipé de boîtier.

2.2 Exigences relatives à l'emplacement

Dans le but de protéger le centre d'alimentation AquaLink TCX contre toute pulvérisation d'eau sous pression (comme celle provenant des arroseurs d'irrigation) et contre les impacts et/ou dommages mécaniques, celui-ci devra être positionné :

- À proximité du coussin de l'équipement primaire.
- À au moins 2pi (61 cm) au-dessus du sol.
- À au moins 5pi (1,5 m) de la paroi intérieure de la piscine ou du spa aux États-Unis.
- À au moins 9.8pi (3 m) de la paroi intérieure de la piscine ou du spa au Canada.

Section 3. Installation du centre d'alimentation AquaLink TCX

3.1 Montage

Le centre d'alimentation AquaLink TCX est livré avec les supports de montage fixés à l'arrière.

- Retournez le centre d'alimentation et inspecter les supports installés à l'arrière.
- Si certaines pièces sont manquantes ou endommagées, veuillez appeler votre distributeur local ou le soutien technique au 1-800-822-7933 pour toute assistance.

1. Mesurez la distance depuis le disjoncteur (Reportez-vous à la section Exigences relatives à l'emplacement et à votre manuel relatif à l'équipement).
2. Mesurez la distance depuis l'équipement (Reportez-vous à la section Exigences relatives à l'emplacement et à votre manuel relatif à l'équipement).
3. Ouvrez le boîtier du centre d'alimentation AquaLink TCX et retirez la face frontale métallique. La face frontale est maintenue en place par une vis, reportez-vous à la Figure 1 (a).

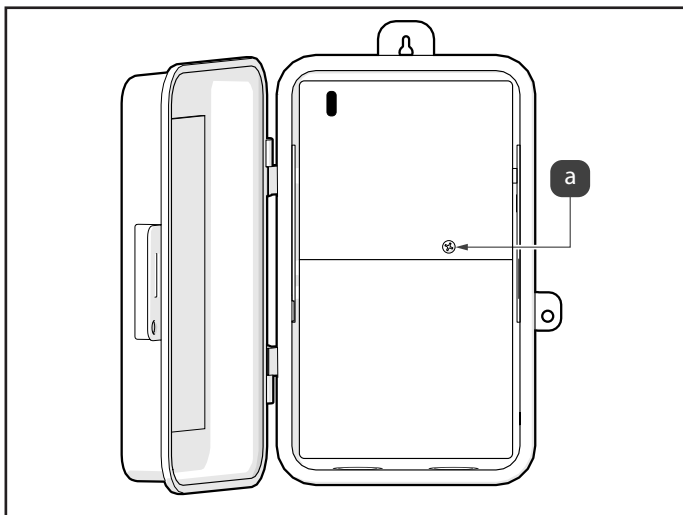


Figure 1. Retirez la vis de la face neutre

4. Marquez l'emplacement des vis de montage. L'une d'elles est située sur la partie supérieure du boîtier et deux autres sont situées à l'intérieur du boîtier vers le fond.
5. Percez des trous à l'endroit où la vis de fixation sera installée.
6. Fixez les vis (ou tout autre matériel approprié pour la surface de montage) dans les trous de montage du boîtier du centre d'alimentation AquaLink TCX.

3.2 Câblage

⚠ MISE EN GARDE

Le risque de choc électrique peut entraîner de graves blessures voire la mort : assurez-vous que tout courant vers le circuit qui alimente le système soit débranché ou désactivé au disjoncteur avant de procéder à l'installation ou à l'entretien. Tout filage doit être fait conformément au National Electrical Code® (NEC(R))®, NFPA70®.

Au Canada, le Code canadien de l'électricité (CEC), CSA C22.1, doit être appliqué. Tous les codes locaux d'installation doivent être suivis.

NEC et le CEC exigent également que l'équipement et/ou les appareils associés au système de circulation de l'eau de piscine incluant, entre autres, les moteurs de pompe et les appareils de chauffage, soient liés ensemble dans le cadre d'une grille de liaison équipotentielle. Zodiac Pool Systems LLC fournit un crampon spécialement étiqueté sur la partie supérieure du centre d'alimentation afin de répondre à cette exigence.

3.2.1 Câblage haute tension (pompes à vitesse unique)

REMARQUE : pour les pompes à vitesse unique, le disjoncteur de la pompe du filtre sera utilisé pour alimenter le TCX. Le relais ne peut pas être configuré pour une utilisation avec d'autres équipements étant donné qu'il est utilisé pour la pompe.

1. Coupez l'alimentation au niveau du panneau électrique.
2. Retirez deux des débouchures du boîtier. Une débouchure conduira au panneau électrique et l'autre à l'équipement de la piscine.
3. Vissez un connecteur terminal MPT de 1/2 po dans les débouchures sur le boîtier.
4. Coupez et déroulez le conduit. Mesurez la distance du disjoncteur de la pompe du filtre au boîtier.
5. Coupez un morceau de conduit électrique de 1/2 po afin de le faire correspondre à la distance du disjoncteur de la pompe du filtre au boîtier.
6. Faites passer les câbles depuis le disjoncteur de la pompe du filtre vers le conduit et dans le boîtier de l'AquaLink TCX.
7. Appuyez sur le conduit dans le connecteur terminal.
8. Localisez les deux câbles d'alimentation d'entrée qui proviennent du disjoncteur de la pompe du filtre.
9. Branchez une entrée « Line » depuis la borne 1 et l'autre vers la borne 3, reportez-vous à la Figure 2 (a).

Les connexions de câblage doivent être effectuées exactement tel qu'illustré dans le schéma de câblage figure à l'intérieur du centre d'alimentation du panneau de porte central. Le

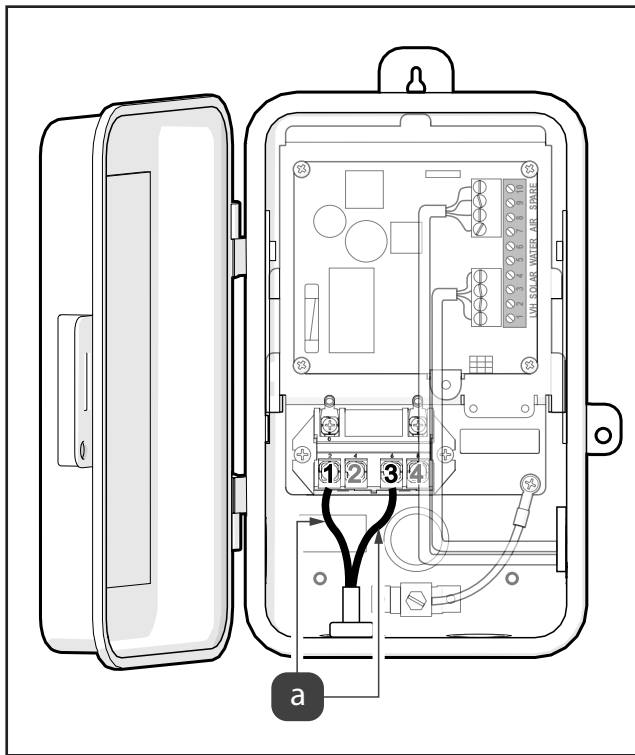


Figure 2. Connectez les câbles d'entrée

10. Branchez la pompe à vitesse unique du filtre vers le côté demande du relais, utilisez les bornes 2 et 4, reportez-vous à la Figure 3 (a).

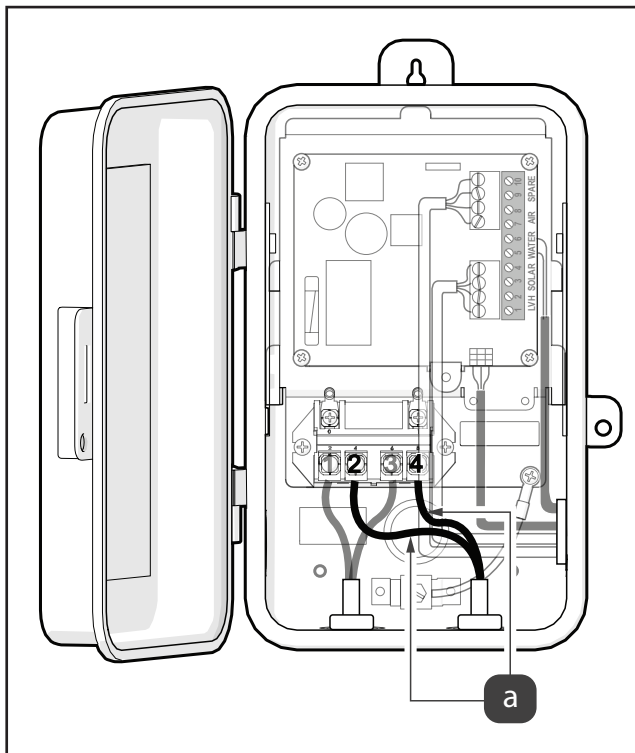


Figure 3. Connectez les câbles de la charge d'entrée

3.2.2 Câblage haute tension (Pompes à vitesse variable)

REMARQUE : la pompe à vitesse variable doit être mise en court-circuit.

1. Coupez l'alimentation au niveau du panneau électrique.
2. Retirez deux des débouchures du boîtier. Une débouchure conduira au panneau électrique et l'autre à l'équipement de la piscine.
3. Si le relais ne doit pas être utilisé avec un électrolyseur, connectez l'équipement (fonction éclairage/eau/pompe/pompe d'appoint pompe/pompe solaire). Mesurez la distance de l'équipement au boîtier.
4. Si le relais sera utilisé pour un électrolyseur, déployez les conduites du disjoncteur de la pompe du filtre en les tirant vers le côté conduite du relais, puis câblez la pompe côté conduite du relais. Câblez l'électrolyseur côté demande.
5. Coupez un morceau de conduit électrique de 1/2po afin de le faire correspondre à cette distance.
6. Faites passer les câbles de l'équipement à la conduite et dans le boîtier de l'AquaLink TCX.
7. Appuyez sur le conduit dans le connecteur terminal.
8. Raccordez le fil de mise à la terre à la vis verte située sur le châssis de l'AquaLink TCX. Le fil de mise à la terre devra être vert/jaune.
9. Branchez une entrée « Load » depuis la borne 2 et l'autre vers la borne 4, reportez-vous à la Figure 4 (a).

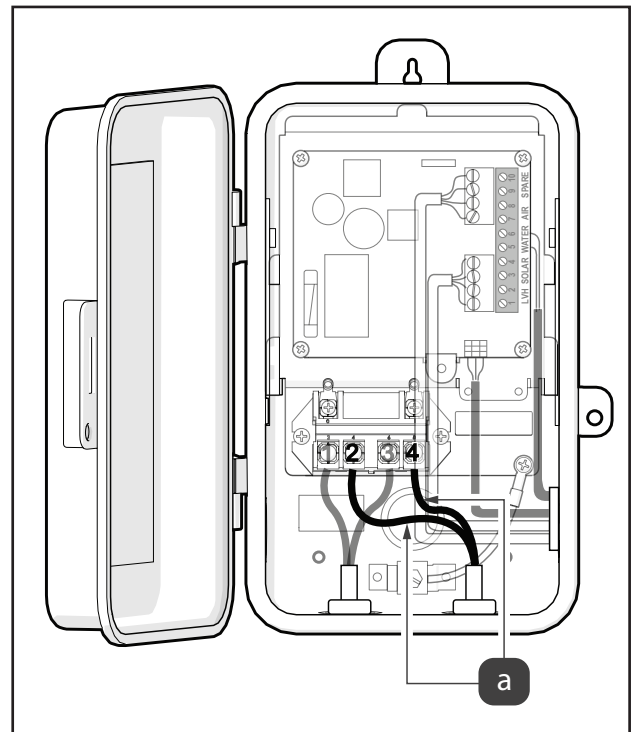


Figure 4. Connectez les câbles de la charge d'entrée

3.3.2 Câblage basse tension

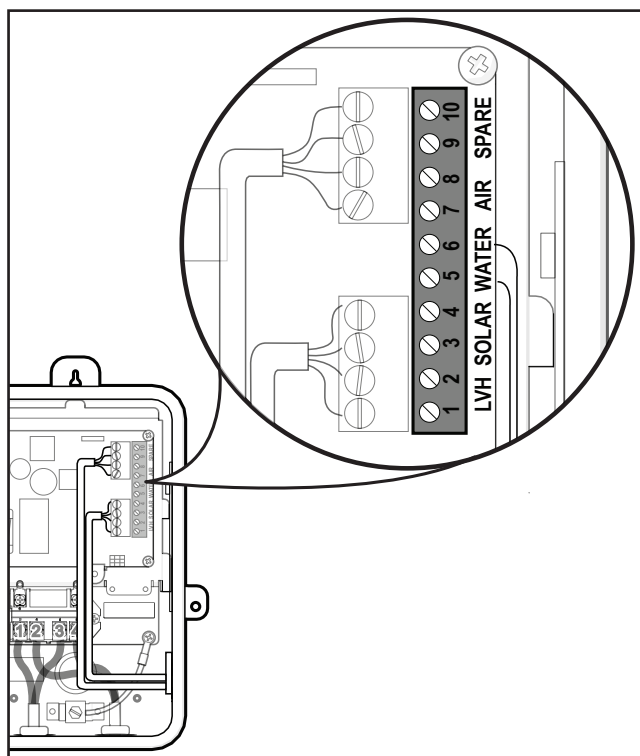


Figure 5. Gros plan du connecteur à 10 broches de couleur verte

REMARQUE : séparez le câblage haute et basse tension de façon permanente à l'aide de gaines annelées.

1. Branchez les fils de communication basse tension RS-485.
2. Si un actionneur de vanne Jandy (JVA) est présent, filez le connecteur JVA à travers le coin inférieur droit du panneau de contrôle par la débouchure latérale et le raccord de délestages de traction.
3. Branchez le câble du JVA, reportez-vous à la Figure 6 (a).

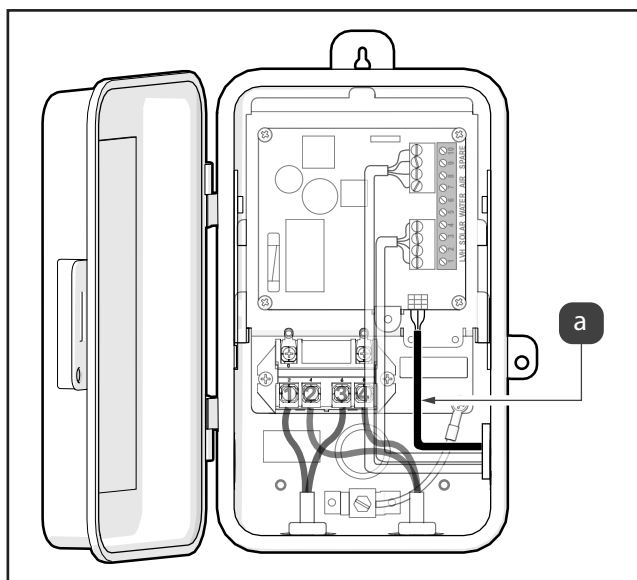


Figure 6. Version pour piscines seulement, connectez les entrées « Line » et les câbles du JVA

4. Installez les câbles basse tension. Installez les fils pour les connexions du capteur de température à travers la débouchure latérale, reportez-vous à la Figure 7 (a).
5. Branchez les câbles dans l'ordre indiqué sur le panneau de contrôle.
6. Vérifiez tous les points de connexion et le câblage afin de localiser les connexions sécurisées.

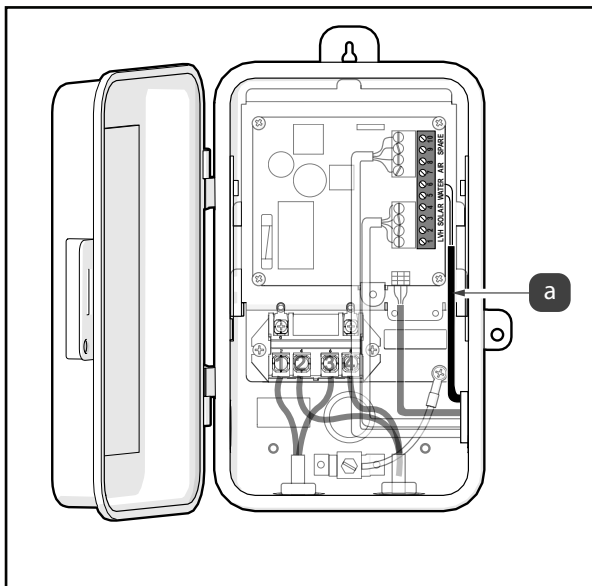


Figure 7. Câblage basse tension raccordé

7. Si la moitié inférieure du panneau à face neutre doit être enlevée, utilisez des pinces diagonales pour couper les deux pattes arrière, reportez-vous à la Figure 8 (a).
8. Découpez l'étiquette du panneau à face neutre à travers l'ouverture du panneau à face neutre, reportez-vous à la Figure 8 (b).
9. Faites pivoter la partie inférieure du panneau à face neutre en exerçant un mouvement de va-et-vient jusqu'à ce que les pattes se détachent, reportez-vous à la Figure 8 (c).

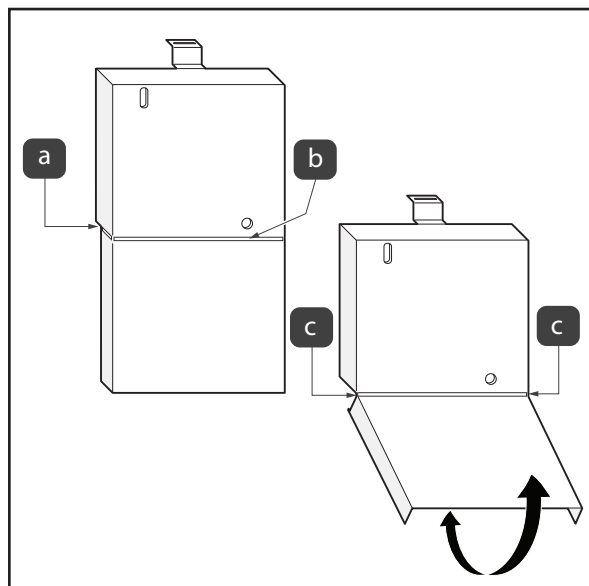


Figure 8. Réinstallez la face neutre

10. Réinstallez le panneau à face neutre à l'aide des vis fournies
11. Fermez la porte du boîtier.
12. Mettez le disjoncteur sous tension pour rétablir l'alimentation.

3.3 Installation du capteur de température de l'air extérieur

REMARQUE : NE PLACEZ PAS le capteur sous la lumière directe du soleil.

1. Installez le capteur de température de l'air extérieur dans un endroit facilement accessible exposé à la température extérieure.
2. Faites passer le câble du capteur vers le centre d'alimentation AquaLink TCX à travers le câblage d'alimentation basse tension (voir le schéma électrique sur la porte du centre d'alimentation).

REMARQUE : déterminez la longueur requise du câble du capteur. Sectionnez l'extrémité du câble, NE RACCORDEZ PAS ce câble.

3. Retirez la barrette à bornes à 10 broches de couleur verte du panneau de contrôle du centre d'alimentation.
4. Placez le câble de COULEUR NOIRE dans la borne n°7 et le câble de COULEUR ROUGE dans la borne n°8.
5. Remplacez la barrette à bornes à 10 broches de couleur verte sur le panneau de contrôle du centre d'alimentation.
6. Mettez le disjoncteur sous tension pour rétablir l'alimentation.

3.4 Installation et câblage du centre de commande

- Reportez-vous manuel d'installation du centre de commande pour obtenir des instructions détaillées.

3.5 Installation du commutateur d'éclairage sans fil

- Suivez les instructions sur l'application et dans les instructions pour jumeler votre commutateur d'éclairage sans fil.
- Compatible avec le numéro de référence WLS4INF Jandy.

3.6 Liaison électrique

Zodiac Pool Systems LLC, exige que le centre d'alimentation AquaLink TCX soit connecté à une boucle de liaison qui comprend tout l'équipement électrique dans le système et sur le coussin de l'équipement. Les barrettes doivent être connectées avec un fil en cuivre massif qui n'est pas plus petit que 8 AWG (6 AWG au Canada). Tout défaut de se conformer à ces instructions peut entraîner l'annulation de la garantie Zodiac Pool Systems, LLC.

MISE EN GARDE

Pour éviter la défaillance prématurée de l'appareil provoquée par des courants vagabonds et des différentiels de tension, le centre d'alimentation AquaLink TCX doit être relié à d'autres équipements faisant partie du système de plomberie de la piscine par un câble de cuivre plein dont le diamètre ne mesure pas moins de 8 AWG, (6 AWG au Canada).

En outre, aux États-Unis, la National Electrical Code® (NEC®) (code électrique national américain) et au Canada, le code électrique canadien (CEC), exigent que tous les composants métalliques de la structure d'une piscine, y compris l'acier d'armature, les raccords métalliques et les composants situés au-dessus du niveau du sol soient assemblés pour former un tout (en formant une grille de liaison équipotentielle) avec un conducteur en cuivre de calibre ne devant pas mesurer moins de 8 AWG (6 AWG au Canada).

Le NEC et le CEC exigent également que l'équipement et/ou les appareils associés au système de circulation de l'eau de piscine incluant, entre autres, les moteurs de pompe et les appareils de chauffage, soient liés ensemble dans le cadre d'une grille de liaison équipotentielle. Zodiac Pool Systems LLC fournit des crampons spécialement étiquetés sur la partie supérieure du centre d'alimentation afin de répondre à cette exigence.

Après avoir relié les composants électroniques à la cosse de mise à la terre, l'installateur devra vérifier la continuité de masse au moyen d'un multimètre.

Le crampon est fourni avec la trousse et devra être installé à une hauteur ne dépassant pas 2 pouces du bas du boîtier. Utilisez un foret de 1/8 po pour installer le matériel.

Section 4. AquaLink TCX™ Installation avec modification

4.1 Câblage

Le châssis de l'AquaLink TCX a été conçu pour s'installer facilement dans les boîtiers métalliques Intermatic® T104R et T30004R.

- L'installateur doit s'assurer que le boîtier Intermatic® se trouve dans un état de fonctionnement acceptable; y compris tous les joints/joints d'étanchéité qui doivent être en place et fonctionnels; les portes/charnières/verrous doivent être fonctionnels; la cosse de mise à la terre doit être présente, fonctionnelle et reliée et la corrosion ne doit pas compromettre la protection contre la pénétration d'eau et d'impuretés lors d'intempéries. Dans le cas contraire, un nouveau boîtier doit être utilisé.

⚠ MISE EN GARDE

Risque d'électrocution qui peut entraîner des blessures graves ou la mort. Assurez-vous que tout courant vers le circuit qui alimente le système soit débranché ou désactivé au niveau du disjoncteur avant de procéder à l'installation ou à l'entretien. Tout filage doit être fait conformément au National Electrical Code® (NEC)®, NFPA-70®.

Au Canada, le Code canadien de l'électricité (CEC), CSA C22.1, doit être appliqué. Tous les codes locaux d'installation doivent être suivis.

Les connexions de câblage doivent être effectuées exactement tel qu'illustré dans le schéma de câblage qui figure à l'intérieur du centre d'alimentation du panneau de porte central. Le NEC et le CEC exigent également que l'équipement et/ou les appareils associés au système de circulation de l'eau de piscine incluant, entre autres, les moteurs de pompe et les appareils de chauffage soient liés ensemble dans le cadre d'une grille de liaison équipotentielle. Zodiac Pool Systems LLC fournit un crampon spécialement étiqueté sur la partie supérieure du centre d'alimentation afin de répondre à cette exigence.

1. Coupez l'alimentation au niveau du panneau électrique.
2. Débranchez le câblage haute tension.
3. Retirez l'horloge en appuyant sur la patte de montage vers le bas et en tirant sur le bloc horloge, reportez-vous à la Figure 9 (a)

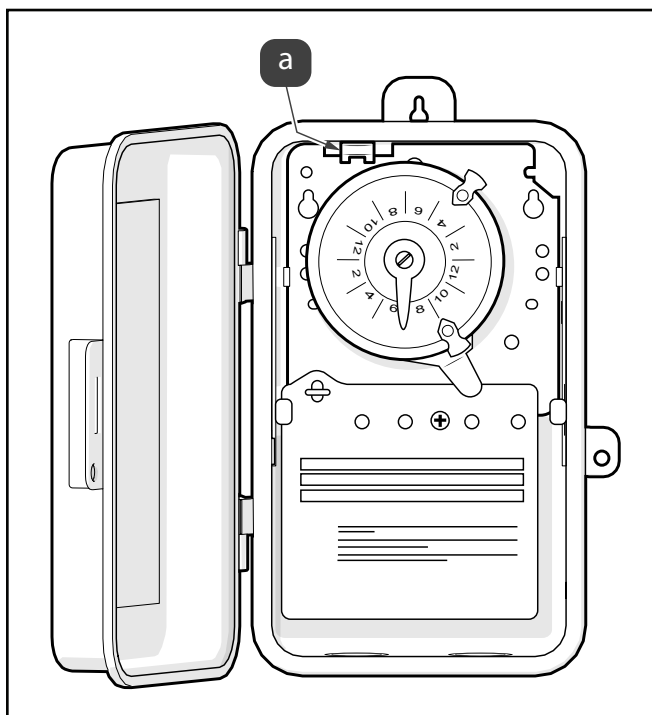


Figure 9. Retirez l'horloge de l'unité Intermatic®

4. Abaissez le châssis de l'AquaLink TCX afin de l'enclencher dans le boîtier Intermatic® vide, glissez-le sous les languettes de retenue, reportez-vous à la Figure 10 (a)

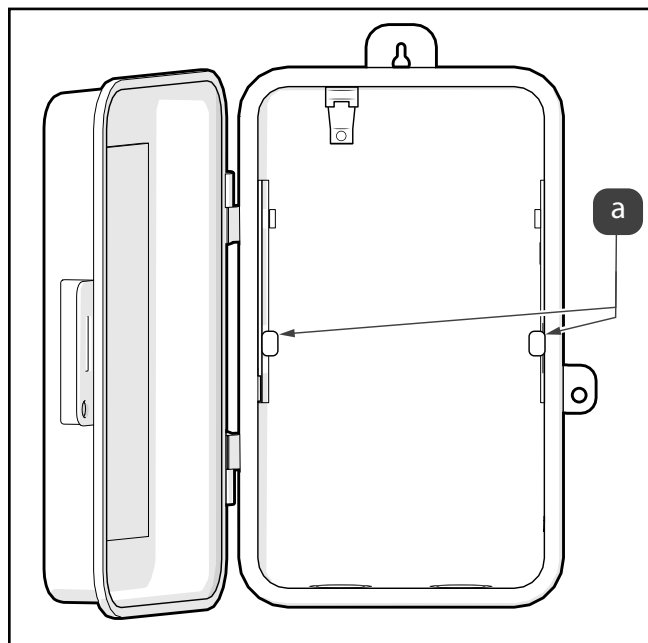


Figure 10. Emplacement des languettes de retenue Intermatic®

5. Poussez sur le châssis de l'AquaLink TCX jusqu'à ce que celui-ci s'enclenche sous la patte de montage, reportez-vous à la Figure 11 (a)
6. Raccordez le fil de mise à la terre à la vis verte située sur le mécanisme de l'AquaLink TCX, reportez-vous à la Figure 11 (b).
7. Installez le crampon si aucun n'est encore présent. (Voir la section 4.3)
8. Si aucun clip à ressort n'est installé, fixez le châssis TCX à l'aide d'une vis de rétention, reportez-vous à la Figure 11 (c).

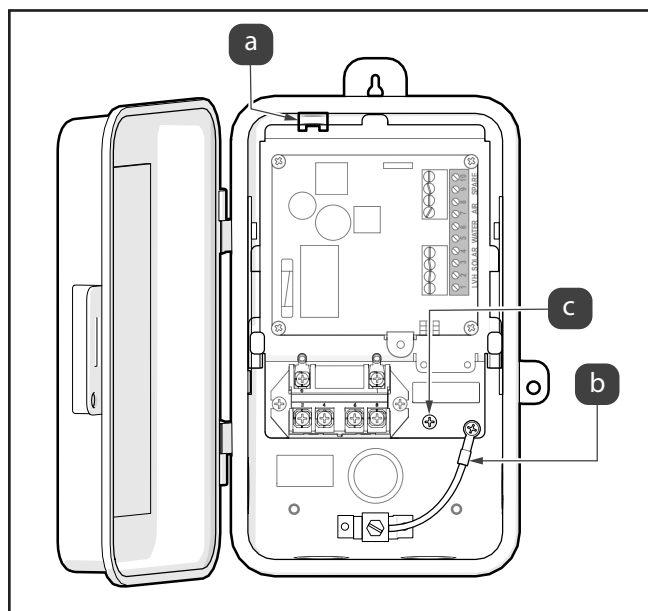


Figure 11. Montage et mise à la terre du châssis TCX

4.1.1 Câblage basse tension

REMARQUE : séparez le câblage haute et basse tension de façon permanente à l'aide de gaines annelées.

1. Branchez les fils de communication basse tension RS-485.
2. Localisez les deux câbles d'alimentation d'entrée qui proviennent du disjoncteur, reportez-vous à la Figure 12 (a).
3. Branchez une entrée « Line » depuis la borne 1 et l'autre vers la borne 3, reportez-vous à la Figure 12 (b).
4. Si un actionneur de vanne JVA est présent, filetez le connecteur JVA à travers le coin inférieur droit du panneau de contrôle par la débouchure latérale et le raccord de délestages de traction.
5. Branchez le câble du JVA, reportez-vous à la Figure 12 (c).

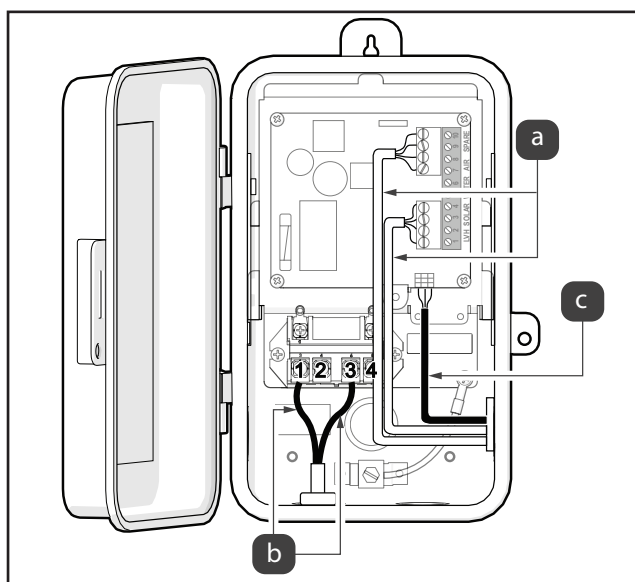


Figure 12. Version pour piscines seulement, connectez les entrées « Line » et les câble du JVA

6. Installez les câbles basse tension. Installez les fils pour les connexions du capteur de température à travers la débouchure latérale, reportez-vous à la Figure 13 (a).
7. Branchez les câbles dans l'ordre indiqué sur le panneau de contrôle.
8. Raccordez l'équipement (Éclairage/Électrolyseur/Pompe). Mesurez la distance de l'équipement au boîtier.
9. Coupez un morceau de conduit électrique de 1/2 po afin de le faire correspondre à cette distance.
10. Faites passer les câbles de l'équipement à la

conduite et dans le boîtier de l'AquaLink TCX.

11. Appuyez sur le conduit dans le connecteur terminal.
12. Raccordez le fil de mise à la terre à la vis verte située sur le châssis de l'AquaLink TCX. Le fil de mise à la terre devra être vert/jaune.
13. Localisez les deux câbles d'alimentation d'entrée qui proviennent de l'équipement.
14. Branchez une entrée « Load » depuis la borne 2 et l'autre vers la borne 4, reportez-vous à la Figure 13 (b).
15. Vérifiez tous les points de connexion et le câblage afin de localiser les connexions sécurisées.

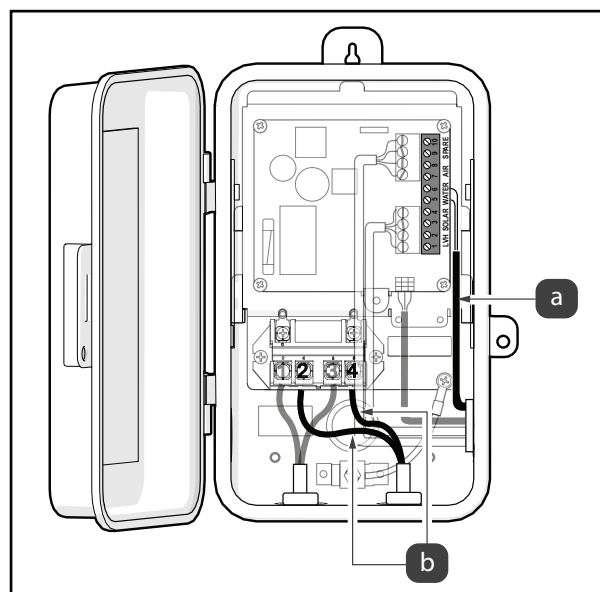


Figure 13. Connectez les câbles de la charge d'entrée

16. Si la moitié inférieure du panneau à face neutre doit être enlevée, utilisez des pinces diagonales pour couper les deux pattes arrière, reportez-vous à la Figure 14 (a).
17. Découpez l'étiquette du panneau à face neutre à travers l'ouverture du panneau à face neutre, reportez-vous à la Figure 14 (b).
18. Faites pivoter la partie inférieure du panneau à face neutre en exerçant un mouvement de va-et-vient jusqu'à ce que les pattes se détachent, reportez-vous à la Figure 14 (c).

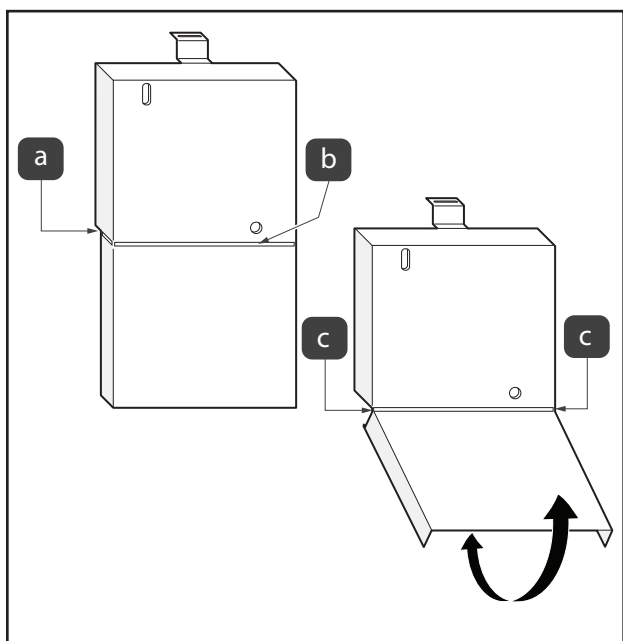


Figure 14. Réinstallez la face neutre

19. Installez le panneau à face neutre à l'aide des vis fournies.
20. Fermez la porte du boîtier.
21. Mettez le disjoncteur sous tension pour rétablir l'alimentation.

4.2 Installation du capteur de température de l'air extérieur

REMARQUE : NE PLACEZ PAS le capteur sous la lumière directe du soleil.

1. Installez le capteur de température de l'air extérieur dans un endroit facilement accessible exposé à la température extérieure.
2. Faites passer le câble du capteur vers le centre d'alimentation AquaLink TCX à travers le câblage d'alimentation basse tension (voir le schéma électrique sur la porte du centre d'alimentation).

REMARQUE : déterminez la longueur requise du câble du capteur. Sectionnez l'extrémité du câble, NE RACCORDEZ PAS ce câble.

3. Retirez la barrette à bornes à 10 broches de couleur verte du panneau de contrôle du centre d'alimentation.
4. Placez le câble de COULEUR NOIRE dans la borne n°7 et le câble de COULEUR ROUGE dans la borne n°8.
5. Remplacez la barrette à bornes à 10 broches de couleur verte sur le panneau de contrôle du centre d'alimentation.
6. Mettez le disjoncteur sous tension pour rétablir l'alimentation.

4.3 Installation et câblage du centre de commande

- Voir le manuel d'installation du centre de commande pour obtenir des instructions détaillées.

4.4 Installation du commutateur d'éclairage sans fil

- Suivre les instructions sur l'application et dans les instructions pour jumeler votre commutateur d'éclairage sans fil.
- Compatible avec le numéro de référence WLS4INF Jandy.

4.5 Liaison électrique

Zodiac Pool Systems LLC exige que le centre d'alimentation AquaLink TCX soit connecté à une boucle de liaison qui comprend tout l'équipement électrique dans le système et sur le coussin de l'équipement. Les barrettes doivent être connectées avec un fil en cuivre massif qui n'est pas plus petit que 8 AWG (6 AWG au Canada). Tout défaut de se conformer à ces instructions peut entraîner l'annulation de la garantie Zodiac Pool Systems, LLC.

MISE EN GARDE

Pour éviter la défaillance prématurée de l'appareil provoquée par des courants vagabonds et des différentiels de tension, le centre d'alimentation AquaLink TCX doit être relié à d'autres équipements faisant partie du système de plomberie de la piscine par un câble de cuivre plein dont le diamètre ne mesure pas moins de 8 AWG, (6 AWG au Canada).

En outre, aux États-Unis, la National Electrical Code® (NEC®) (code électrique national américain) et au Canada, le code électrique canadien (CEC), exigent que tous les composants métalliques de la structure d'une piscine, y compris l'acier d'armature, les raccords métalliques et les composants situés au-dessus du niveau du sol, soient assemblés pour former un tout (en formant une grille de liaison équipotentielle) avec un conducteur en cuivre de calibre ne devant pas mesurer moins de 8 AWG (6 AWG au Canada).

Le NEC et le CEC exigent également que l'équipement et/ou les appareils associés au système de circulation de l'eau de piscine incluant, entre autres, les moteurs de pompe et les appareils de chauffage, soient liés ensemble dans le cadre d'une grille de liaison équipotentielle. Zodiac Pool Systems LLC fournit des crampons spécialement étiquetés sur la partie supérieure du centre d'alimentation afin de répondre à cette exigence.

Après avoir relié les composants électroniques à la cosse de mise à la terre, l'installateur devra vérifier la continuité de masse au moyen d'un multimètre.

Le crampon est fourni avec la trousse et devra être installé à une hauteur ne dépassant pas 2 pouces du bas du boîtier. Utilisez un foret de 1/8 po pour installer le matériel.

NOTES

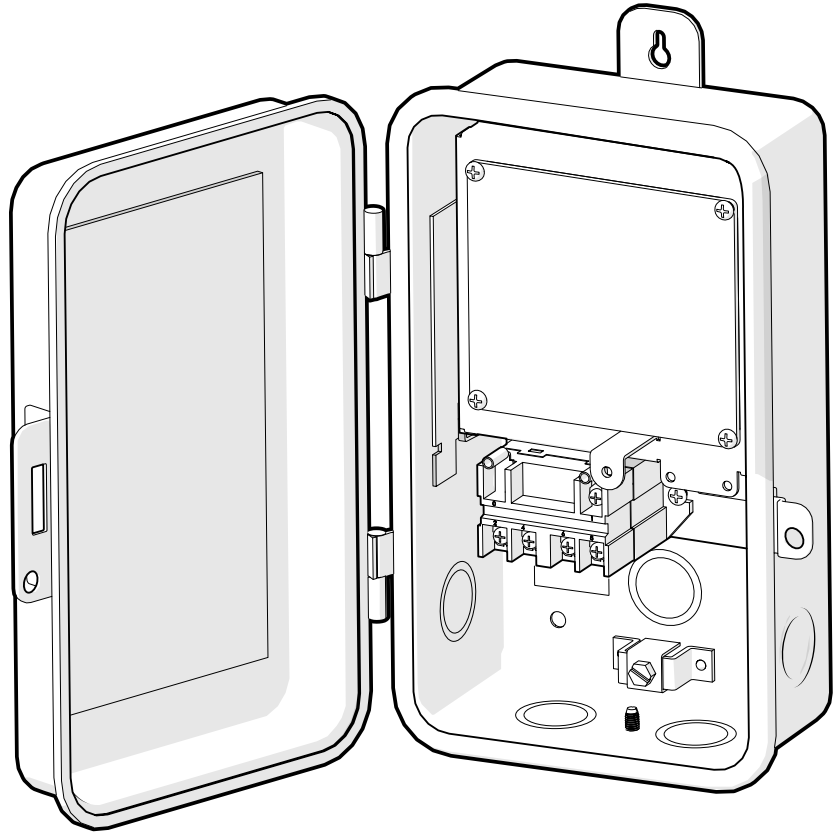
Zodiac Pool Systems LLC

2882 Whiptail Loop n° 100, Carlsbad, CA 92010, États-Unis
1.800.822.7933 | Jandy.com

Zodiac Pool Systems Canada, Inc

3365 Mainway, Bureau 2
Burlington (Ontario) L7M 1A6
1-888-647-4004 | Jandy.ca

*ZODIAC® est une marque déposée de Zodiac International, S.A.S.U, utilisée sous licence.
Toutes les autres marques mentionnées dans ce document sont la propriété de leurs propriétaires respectifs.*



Centro de energía AquaLink® TCX™ *Piscinas únicamente*

⚠ ADVERTENCIA

PARA SU SEGURIDAD: La instalación y el servicio técnico de este producto deben estar a cargo de un contratista cualificado y matriculado para trabajar con equipamientos para piscinas en la jurisdicción en la que se instalará el producto, donde existan tales requisitos estatales, locales o provinciales. En caso de que no existan tales requisitos estatales o locales, la persona a cargo de la instalación debe ser un profesional con experiencia suficiente en instalación y mantenimiento de equipamientos para piscinas, para que todas las instrucciones de este manual se puedan seguir exactamente. La instalación o la operación incorrectas pueden crear peligros eléctricos importantes, que pueden provocar que pasen voltajes altos por el sistema eléctrico. Antes de instalar este producto, lea y siga todos los avisos de advertencia y las instrucciones que se proporcionan con el producto. Si no se siguen los avisos de advertencia ni las instrucciones, es posible que se produzcan daños materiales, lesiones personales o la muerte. Si la instalación o la operación se llevan a cabo incorrectamente, la garantía se anulará.

Si estas instrucciones no se siguen exactamente, se pueden producir incendios o explosiones, lo que provocaría daños materiales, lesiones personales o la muerte.

ATENCIÓN, INSTALADOR: Este manual contiene información importante acerca de la instalación, la operación y la utilización seguras de este producto. Esta información debe ser entregada al dueño u operador de este equipo.



Contenido

Sección 1. INSTRUCCIONES IMPORTANTES DE SEGURIDAD	35
1.1 Instrucciones de seguridad	35
1.2 Pautas para la prevención de atrapamiento por la succión de la bomba	37
1.3 Herramientas y equipos requeridos	38
1.4 Materiales suministrados por el instalador.....	39
1.5 Especificaciones	39
Sección 2. Aspectos generales del sistema ..	39
2.1 Contenido del paquete	39
2.2 Requisitos de ubicación	39
Sección 3. Instalación del centro de energía AquaLink TCX	39
3.1 Montaje	39
3.2 Cableado	40
3.3 Instalación del sensor de temperatura de aire	43
3.4 Instalación y cableado del centro de comando	43
3.5 Instalación del interruptor de luz inalámbrico.....	43
3.6 Conexiones equipotenciales	43
Sección 4. Instalación de AquaLink TCX™ con componentes anteriores	43
4.1 Cableado.....	43
4.2 Instalación del sensor de temperatura de aire	46
4.3 Instalación y cableado del centro de comando	46
4.4 Instalación del interruptor de luz inalámbrico.....	46
4.5 Conexiones equipotenciales	46

Sección 1. INSTRUCCIONES IMPORTANTES DE SEGURIDAD

LEA Y SIGA ESTAS INSTRUCCIONES

1.1 Instrucciones de seguridad

Todos los trabajos de electricidad deben ser realizados por un electricista matriculado y adherir a todos los códigos nacionales, estatales, provinciales y locales. Cuando se instale y utilice este equipo eléctrico, siempre se deberán seguir las siguientes precauciones básicas de seguridad.

ADVERTENCIA

EQUIPO BAJO PRESIÓN: Apague siempre la bomba antes de la instalación o del servicio. El sistema de bomba/filtro funciona bajo presión y la presión debe liberarse antes de comenzar a trabajar. Consulte el manual del usuario de la bomba o del filtro para obtener instrucciones adicionales.

ADVERTENCIA

Para reducir el riesgo de descarga eléctrica, incendio o lesiones, solo un profesional de servicio de piscinas calificado deberá realizar las reparaciones.

Riesgo de descarga eléctrica: Instale el centro de energía a al menos cinco (5) pies (1.52 m) de la pared interior de la piscina o del jacuzzi con tuberías no metálicas. Las instalaciones canadienses deben estar a al menos tres (3) metros del agua.

ADVERTENCIA

Riesgo de descarga eléctrica que puede resultar en lesiones graves o la muerte: Antes de intentar una instalación o realizar tareas de servicio, asegúrese de que toda energía al circuito que suministra energía al sistema esté desconectada o apagada en el disyuntor. Todo el cableado debe llevarse a cabo en conformidad con National Electrical Code® (NEC)®, NFPA-70®, incluidas las indicaciones del artículo 680 (piscinas, fuentes e instalaciones similares).

En Canadá, debe cumplirse con Canadian Electrical Code (CEC), CSA C22.1. Deben seguirse todos los códigos y reglamentos de instalación locales que correspondan.

ATENCIÓN: Este centro de energía y el centro de control del generador de cloro no deben considerarse como adecuados para su uso como equipos de servicio. Por lo tanto, se requiere contar con los medios adecuados de desconexión, aislamiento de circuitos y protección de ramales de circuitos instalados corriente arriba del centro de energía/control

ADVERTENCIA

Para reducir el riesgo de lesiones, no permita que los niños usen este producto si no están supervisados con atención en todo momento

ADVERTENCIA

Riesgo de ahogamiento accidental. Debe tenerse una precaución extrema para prevenir el acceso no autorizado por parte de los niños. Para evitar accidentes, asegúrese de que los niños no puedan usar un hidromasaje o jacuzzi si no están supervisados con atención en todo momento

Este aparato no está diseñado para que lo usen personas (incluidos niños) con capacidades físicas, sensoriales o mentales reducidas, o que carezcan de experiencia y conocimiento, a menos que hayan recibido supervisión o instrucción en cuanto al uso del aparato por parte de una persona responsable de su seguridad.

EVITE EL AHOGAMIENTO DE LOS NIÑOS: no permita que ninguna persona, especialmente niños pequeños, se siente, pise, se apoye o trepe en los equipos instalados como parte del sistema operativo de la piscina. Ubique los componentes del sistema operativo al menos a 1 m (3 pies 3 pulg.) de la piscina de tal forma que los niños no puedan usar el equipo para acceder a la piscina y se lesionen o se ahoguen.

Para reducir el riesgo de sufrir accidentes, no retire los acoples de succión del hidromasaje o del jacuzzi. Nunca ponga en

funcionamiento un hidromasaje o jacuzzi que no tenga los acoples de succión o los tenga dañados. Nunca reemplace un acople de succión por otro que sea para un caudal menor que el indicado en el equipo.

ADVERTENCIA

Para evitar lesiones, asegúrese de usar este sistema de control para controlar únicamente calentadores embalados de piscinas/hidromasajes con controles operativos y de límite alto incorporados para limitar la temperatura del agua en aplicaciones de piscina/hidromasaje. Este dispositivo no debe utilizarse como control de límite de seguridad. Si la temperatura del agua supera los 100 °F (38 °C), puede resultar peligrosa para la salud.

ADVERTENCIA

Se proporciona una barra de terminales marcada con "GROUND" (Tierra) en el centro de energía. A fin de reducir el riesgo de descargas eléctricas, conecte esta barra de terminales al terminal de puesta a tierra de su tablero de distribución o suministro eléctrico, con un conductor de cobre continuo con aislamiento verde con un calibre equivalente a los conductores del circuito suministrados con este equipo pero no inferior a un calibre n.º 12 AWG (3.3 mm²). Además, debe conectarse equipotencialmente un segundo conector de cable con un cable de cobre n.º 8 AWG (8.4 mm²) a cualquier escalera metálica, tubo de agua u otros metales a menos de cinco (5) pies (1.52 m) de la piscina/del hidromasaje. En Canadá, el cable de conexión equipotencial debe ser de, como mínimo, 6 AWG (13.3 mm²).

ADVERTENCIA

Debe proporcionarse un interruptor de circuito a tierra si este dispositivo se usará para controlar accesorios de iluminación sumergidos. Los conductores en el lado de carga del circuito del interruptor de circuito a tierra no deben ocupar conductos, cajas ni cerramientos que contengan otros conductores, a no ser que los conductores adicionales también estén protegidos mediante un interruptor de circuito a tierra. Consulte los códigos locales para obtener los detalles completos.

PRECAUCIÓN: Este dispositivo es para uso en piscinas permanentes y también se puede utilizar en hidromasajes y jacuzzis, si estuviera indicado en la documentación. No use esta bomba con piscinas almacenables. Las piscinas permanentes están construidas dentro del suelo o sobre él o en un edificio de tal manera que no se pueden desmontar para su almacenamiento. Las piscinas portátiles están construidas de manera que pueden ser fácilmente desmontadas para su almacenamiento y pueden volver a montarse en su estado original.

Al mezclar ácido u otros químicos con agua, **AGREGUE SIEMPRE EL ÁCIDO O LOS QUÍMICOS AL AGUA. NUNCA AGREGUE AGUA AL ÁCIDO NI A LOS QUÍMICOS.**

PRECAUCIÓN: Es importante señalar que ciertos materiales utilizados en torno a las piscinas y a los hidromasajes tal vez no sean compatibles con los químicos que se utilizan comúnmente para purificar el agua de la piscina y del hidromasaje (por ejemplo, ácidos, cloro, sal, estabilizadores, etc.).

Zodiac Pool Systems, LLC no garantiza que el agua clorada generada por el dispositivo generador de cloro Jandy Pro Series no vaya a dañar o destruir ciertos tipos de plantas, cubiertas, coronas y otros materiales en torno a su piscina o hidromasaje. Antes de seleccionar los materiales que se utilizarán en torno a su piscina o hidromasaje, hable sobre todas las opciones con su contratista para evaluar la compatibilidad de dichos materiales y productos químicos.

Algunas consideraciones útiles para tener en cuenta:

- Seleccione plantas que puedan soportar las salpicaduras de agua que contenga cloro o sal y demás químicos de purificación del agua.
- Todos los componentes de metal utilizados en torno a una piscina deben ser de acero inoxidable de alto grado y alta calidad.
- Seleccione con cuidado los productos de mampostería. La porosidad y la dureza de las piedras naturales varían de manera considerable. Por lo tanto, recomendamos consultar con su constructor o contratista experto en piedras en cuanto a la mejor opción para los materiales de piedra alrededor de su piscina o hidromasaje.
- Selle todos los productos de mampostería. Los profesionales en la industria de las piedras ornamentales especifican que incluso la piedra natural, en especial si se usa en ambientes exteriores, debe sellarse para evitar la erosión, el manchado y la degradación prematura. Consulte con su contratista de piedras ornamentales o cubiertas en cuanto al sellador correcto para los productos de mampostería que seleccionó para usar alrededor de su piscina o hidromasaje.
- Para resultados óptimos, vuelva a aplicar los selladores con regularidad. Vuelva a aplicar el sellador protector siguiendo un cronograma según las instrucciones del fabricante.
- El uso de productos químicos que no sean los recomendados puede ser peligroso. Siga las instrucciones de los fabricantes de productos químicos.

ADVERTENCIA

La inmersión prolongada en agua caliente puede causar hipertermia. La hipertermia se produce cuando la temperatura corporal interna supera por varios grados la temperatura corporal normal de 37 °C (98.6 °F). Algunos de los síntomas de hipertermia incluyen mareo, desvanecimiento, somnolencia, pereza y un aumento de la temperatura corporal interna. Los efectos de la hipertermia incluyen:

- Desconocimiento de un peligro inminente
- Incapacidad para percibir el calor
- Incapacidad para reconocer la necesidad de salir del hidromasaje
- Imposibilidad física para salir del hidromasaje
- Daño fetal en mujeres embarazadas
- Peligro de ahogamiento derivado de la pérdida del conocimiento

Para reducir el riesgo de lesiones:

- El agua del hidromasaje nunca debe exceder los 40 °C (104 °F). Se considera que las temperaturas entre 38 °C (100 °F) y 40 °C (104 °F) son seguras para un adulto saludable. Se recomiendan temperaturas más bajas para niños pequeños y para cuando se utilice el hidromasaje por más de 10 minutos.
- Debido a que las temperaturas de agua muy altas tienen un alto potencial de causar daños al feto durante los primeros meses de embarazo, las mujeres embarazadas o que sospechen un embarazo deben limitar la temperatura del agua del hidromasaje a 38 °C (100 °F).
- Antes de entrar en un hidromasaje o jacuzzi, el usuario debe medir la temperatura con un termómetro preciso, ya que la tolerancia de los dispositivos que regulan la temperatura del agua varía.
- El consumo de alcohol, drogas o medicamentos antes o durante el uso del hidromasaje o jacuzzi puede producir pérdida del conocimiento con la posibilidad de ahogamiento.
- Las personas obesas y aquellas con antecedentes de enfermedades cardíacas, con presión baja o alta, con problemas en el sistema circulatorio o con diabetes deben consultar al médico antes de utilizar el hidromasaje.
- Las personas que estén tomando medicamentos deben consultar al médico antes de utilizar el hidromasaje o jacuzzi porque algunos medicamentos pueden provocar somnolencia mientras que otros pueden afectar el ritmo cardíaco, la presión arterial y la circulación.
- Las personas con enfermedades infecciosas no deben utilizar el hidromasaje ni el jacuzzi.
- Para evitar lesiones, tenga cuidado al entrar o salir del hidromasaje o del jacuzzi.
- No consuma drogas ni alcohol antes o durante el uso del hidromasaje o jacuzzi para evitar quedar inconsciente y que

exista la posibilidad de ahogarse.

- Las mujeres embarazadas o que sospechen estarlo deben consultar al médico antes de utilizar el hidromasaje o el jacuzzi.
- Si la temperatura del agua supera los 38 °C (100 °F), puede resultar peligrosa para la salud.
- Antes de entrar al hidromasaje o jacuzzi, mida la temperatura del agua con un termómetro preciso.
- No use el hidromasaje o el jacuzzi inmediatamente después de haber hecho ejercicios intensos.
- La inmersión prolongada en el hidromasaje o jacuzzi puede ser perjudicial para su salud.
- No permita la instalación de ningún artefacto eléctrico (como luces, teléfono, radio o televisión) dentro de un radio de 1.5 m (5 pies) del hidromasaje o jacuzzi.
- El consumo de alcohol, drogas o medicamentos puede aumentar considerablemente el riesgo de hipertermia fatal en jacuzzis e hidromasajes.

ADVERTENCIA

La instalación o el mantenimiento inapropiados del calentador a gas pueden generar náuseas o asfixia por el monóxido de carbono de los gases de combustión. Estas condiciones pueden dar lugar a lesiones graves o la muerte. Para las instalaciones en el interior, a modo de medida adicional de seguridad, Zodiac Pool Systems, LLC recomienda con especial énfasis la instalación de detectores de monóxido de carbono adecuados en las proximidades de la unidad y en los espacios adyacentes ocupados.

ADVERTENCIA

Los dispositivos generadores de cloro Jandy Pro Series están diseñados para su uso en piscinas domésticas (residenciales) solamente. Otro tipo de uso podría afectar el rendimiento, invalidar la garantía y producir daños materiales, lesiones graves o la muerte.

- Si se opera un generador de cloro sin que fluya agua a través de la celda, se puede producir una acumulación de gases inflamables con riesgo de incendios o explosiones.
- Mantenga el equipo fuera del alcance de los niños.
- Si hay un cable de alimentación dañado, solo deberá reemplazarlo el fabricante, un electricista o un técnico de servicio.
- Cuando se instale y utilice este equipo eléctrico, siempre se deberán seguir las precauciones básicas de seguridad.
- Antes de realizar la instalación, desconecte la energía.
- Conecte solamente a un ramal del circuito que esté protegido por un interruptor de circuito a tierra (GFCI).
- No haga la instalación dentro de un recinto exterior ni debajo del revestimiento del jacuzzi o hidromasaje.

ATENCIÓN: Este dispositivo cumple con la parte 15 de las reglas de la FCC. La operación está sujeta a las dos condiciones siguientes: (1) Este dispositivo no puede provocar interferencias nocivas, y (2) este dispositivo debe aceptar cualquier interferencia recibida, incluidas las interferencias que pueden provocar un funcionamiento no deseado.

NOTA: Este equipo se probó y se determinó que cumple con los límites de dispositivo digital de Clase B, en conformidad con la parte 15 de las reglas de la FCC. Estos límites están diseñados para proporcionar una protección razonable contra las interferencias nocivas en una instalación residencial. Este equipo general, usa y puede irradiar energía de radiofrecuencia y, si no se instala y usa en conformidad con las instrucciones, puede provocar interferencias nocivas para las comunicaciones por radio. Sin embargo, no se garantiza que no habrá interferencias en una instalación en particular. Si este equipo provoca interferencias nocivas a la recepción de radios o televisores, lo que puede determinarse al encender y apagar el equipo, se recomienda al usuario intentar corregir la interferencia mediante uno o más de los métodos siguientes:

- Reorientar o reubicar la antena de recepción.
- Aumentar la separación entre el equipo y el receptor.
- Conectar el equipo a una fuente de electricidad en un circuito distinto al que está conectado el receptor.
- Consultar al distribuidor para obtener la ayuda de un técnico experimentado en radio/TV.

Las modificaciones llevadas a cabo en este equipo que no estén autorizadas por el fabricante pueden anular la autoridad del usuario para operar este equipo.

1.2 Pautas para la prevención de atrapamiento por la succión de la bomba

⚠ ADVERTENCIA

La succión de la bomba es peligrosa y puede atrapar y ahogar o descuartizar a los bañistas. No use ni opere piscinas, hidromasajes ni jacuzzis si una cubierta de las salidas de succión falta, está rota o está floja: Las pautas siguientes proporcionan información para la instalación de la bomba que minimiza el riesgo de lesiones para los usuarios de piscinas, hidromasajes y jacuzzis:

Protección contra el atrapamiento: El sistema de succión de la bomba debe proporcionar protección contra los peligros del atrapamiento por succión.

Cubiertas de la salida de succión: Todas las salidas de succión deben tener cubiertas correctamente instaladas y atornilladas en su lugar. Todas las cubiertas de salida (drenaje) de succión deben mantenerse correctamente. Las cubiertas de drenaje deben estar incluidas/certificadas en la edición publicada más reciente de ANSI®/ASME® A112.19.8 o su norma sucesora, ANSI/APSP-16. Deben reemplazarse si están agrietadas o rotas o si faltan.

Cantidad de salidas de succión por bomba: Proporcione al menos dos (2) drenajes principales balanceados hidráulicamente, con cubiertas, como salidas de succión para cada línea de succión de la bomba de circulación. Los centros de los drenajes principales (salidas de succión) de cualquier una (1) línea de succión deben estar a al menos tres (3) pies de distancia de centro a centro. Consulte la Figura 1.

El sistema **debe** construirse para incluir al menos dos (2) salidas (drenajes) de succión conectadas a la bomba siempre que la bomba esté en funcionamiento. Sin embargo, si dos (2) drenajes principales van a una única línea de succión, la única línea de succión puede estar equipada con una válvula que apague ambos drenajes principales desde la bomba. El sistema se construirá de tal modo que no permita el cierre o el aislamiento separado independiente de cada drenaje. Consulte la Figura 1.

Es posible conectar más de una (1) bomba a una única línea de succión, siempre que se cumplan los requisitos anteriores.

Velocidad del agua: La velocidad máxima del agua a través del acople de succión o de la cubierta para cualquier salida de succión debe ser de 1.5 pies por segundo, a no ser que la salida cumpla con la versión más reciente de ANSI/ASME A112.19.8, o su norma sucesora, ANSI/APSP-16, la norma para acoples de succión para usarse en piscinas, piscinas infantiles, hidromasajes y jacuzzis. En cualquier caso, no supere el caudal máximo de diseño del acople de succión.

Si el 100 % del caudal de la bomba proviene del sistema de drenaje principal, la velocidad máxima del agua en el sistema hidráulico de succión de la bomba debe ser de (6) pies pro segundo o menos, incluso si un (1) drenaje principal (salida de succión) está completamente bloqueado. El caudal a través de los demás drenajes principales debe cumplir con la versión más reciente de ANSI/ASME A112.19.8, o su norma sucesora, ANSI/APSP-16, la norma para acoples de succión para usarse en piscinas, piscinas infantiles, hidromasajes y jacuzzis.

Pruebas y certificación: Las cubiertas de salida de succión deben haber sido probadas por un laboratorio de pruebas con reconocimiento nacional y debe haberse determinado que cumplen la versión más reciente de ANSI/ASME A112.19.8 o su norma sucesora, ANSI/APSP-16, la norma para acoples de succión para usarse en piscinas, piscinas infantiles, jacuzzis e hidromasajes.

Acoples: Los acoples restringen el flujo; para más eficiencia, use la menor cantidad de acoples posible (pero al menos dos [2] salidas de succión).

Evite los acoples que pueden provocar que quede aire atrapado. Los acoples de succión del limpiador de la piscina deben cumplir las normas aplicables de la International Association of Plumbing and Mechanical Officials (IAPMO®).

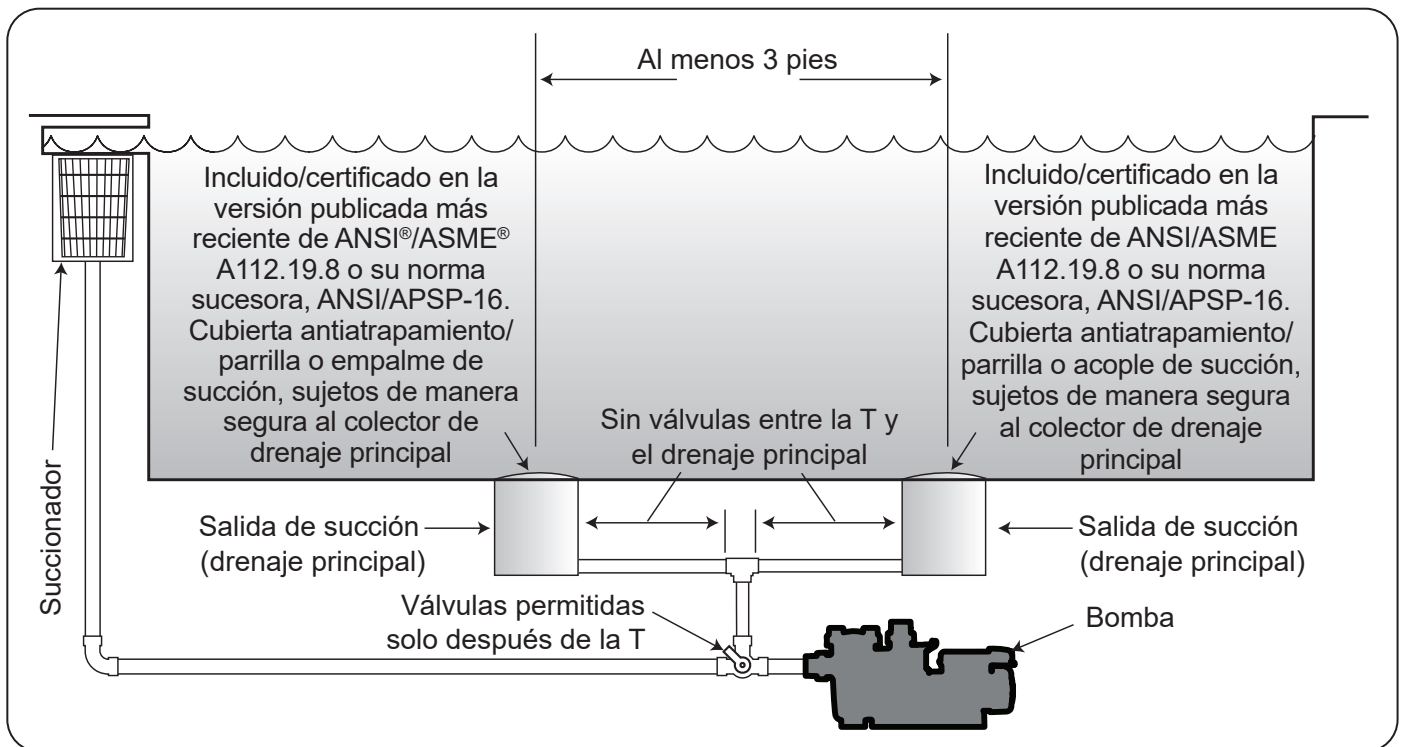


Figura 1. Cantidad de salidas de succión por bomba

GUARDE ESTAS INSTRUCCIONES



Nuestra promesa de calidad

Como líderes del sector, nos comprometemos a suministrarle la mejor experiencia en la piscina:

Prometemos mantener los más altos estándares de calidad en todas las áreas de operación.

Prometemos usar materiales de alta calidad y procesos de primer nivel para fabricar nuestros productos.

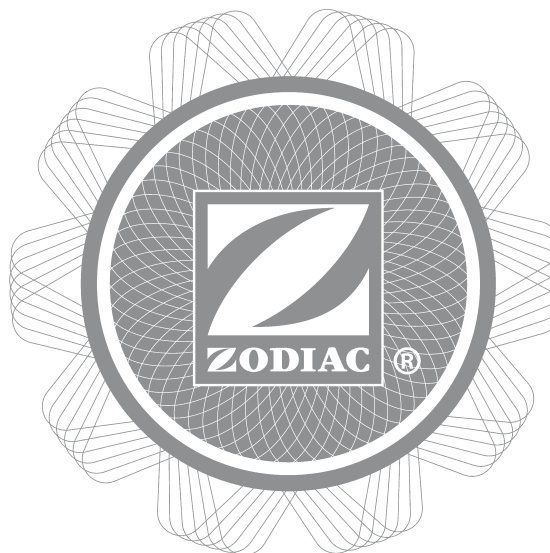
Prometemos que sus equipos llegarán completamente probados en entornos de piscina, inspeccionados y con un aseguramiento de la calidad para su confiabilidad y durabilidad.

Respaldamos nuestra promesa.

Nuestra promesa cuenta con el respaldo de nuestro soporte dedicado y nuestra garantía explícita por escrito.

Para obtener asistencia técnica, llame al 1-800-822-7933

Sus comentarios son importantes. Para decirnos lo que piensa, llámenos al 1-760-734-8844 o escríbanos a feedback@zodiac.com con sus preguntas o comentarios.



1.3 Herramientas y equipos requeridos

Asegúrese de que el instalador tenga disponible la siguiente lista de herramientas y equipos en el momento de la instalación



Gafas de seguridad



Guantes



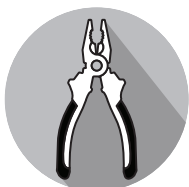
Destornilladores*



Dispositivo inteligente con la aplicación iAquaLink



Taladro/ atornillador de impacto



Pinza en combinación/ diagonal**



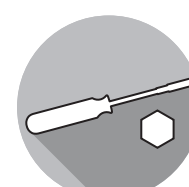
Cinta métrica



Voltímetro



Martillo



Destornillador hexagonal de 1/4"

*Pequeño de cabeza plana requerido para tornillos de fijación del punto de conexión del cableado eléctrico.

**Pinza diagonal requerida si debe extraerse la parte inferior del panel muerto.

1.4 Materiales suministrados por el instalador

- Conducto flexible
- Conectores de conducto
- Cable de alto voltaje n.º 12 AWG como mínimo
- Cable de bajo voltaje; 4 conductores
Mínimo n.º 22 AWG Cable de comunicaciones
(Colores de aislamiento: rojo, negro, amarillo, verde)
- Conectores para cables (tuercas para cables)
- Disyuntores para alto voltaje
- Toma de GFCI o disyuntor de GFCI

1.5 Especificaciones

Fuente de alimentación		
EE. UU.	240/120 VCA; 60/50 Hz; 0.5 A	
CAN	240/120 VCA; 60/50 Hz; 0.5 A	
Calificación nominal de contacto		
EE. UU.	Alto voltaje	25 A; 3 HP a 240 VCA 1 1/2 HP a 120 V CA 1500 vatios incandescente
	Bajo voltaje	Clase 2, 1 A a 24 VCA
CAN	Alto voltaje	25 A; 3 HP a 240 VCA 1 1/2 HP a 120 V CA 1500 vatios incandescente
	Bajo voltaje	Clase 2, 1 A a 24 VCA

ADVERTENCIA

El centro de energía AquaLink TCX no debe considerarse adecuado para su uso como equipo de servicio. Por lo tanto, se requiere contar con los medios adecuados de desconexión, aislamiento de circuitos y protección de ramales de circuitos instalados corriente arriba del centro de energía.

Sección 2. Aspectos generales del sistema

Este manual ofrece instrucciones de instalación e instrucciones operativas básicas para el centro de energía Jandy AquaLink TCX. AquaLink TCX es un sistema de automatización integrado capaz de controlar y programar una extensa variedad de equipos para las piscinas residenciales.

Lea completamente las instrucciones de instalación y operación antes de proceder con la instalación. Mantenga este manual en un lugar seguro para consultarlo en el futuro cuando inspeccione o dé servicio al centro de energía.

Antes de comenzar, verifique que tiene las piezas correctas, según se indica debajo. Si faltan piezas o hay piezas incorrectas, llame al distribuidor local o al soporte técnico al 1-800-822-7933 para obtener ayuda.

2.1 Contenido del paquete

El contenido del paquete variará según la configuración de AquaLink TCX que esté instalando.

AquaLink TCX piscina únicamente con automatización
Cerramiento* y PIB
Tornillería de montaje <ul style="list-style-type: none"> • Tornillo n.º 8-15 X 1 1/4" (cant. 3) • Anclaje para la pared n.º 8 1" (cant. 3)
Bolsa de tornillos y fusibles <ul style="list-style-type: none"> • Fusible 5 A/125 V • Junta tórica 5/32" ID • Tornillo n.º 8-32 X 3/8"
Kit de tubos de cubierta de cable <ul style="list-style-type: none"> • Tubería de 24" • Buje de 20.4 mm • Terminal de conexión a tierra • Tornillo n.º 10-24 X 5/8" • Tuerca 10-24
Sensor de temperatura de aire
Interruptor de luz inalámbrico/placa de identificación
Centro de comando
*Nota: El cerramiento solo se incluye en el modelo TCXP. El modelo del kit de conversión no incluye el cerramiento.

2.2 Requisitos de ubicación

Para proteger el centro de energía AquaLink TCX del aerosol de agua presurizada (como el de los rociadores de riego) y de los golpes o daños mecánicos, debe ubicarse:

- Cerca de la base del equipo principal.
- Al menos a 2' (61 cm) por arriba del nivel del piso.
- Al menos a 5' (1.5 m) de distancia del borde interno de la piscina o del hidromasaje en los EE: UU.
- Al menos a 9.8' (3 m) de distancia del borde interno de la piscina o del hidromasaje en Canadá.

Sección 3. Instalación del centro de energía AquaLink TCX

3.1 Montaje

El centro de energía AquaLink TCX se envía con soportes de montaje sujetos en la parte posterior.

- Dé vuelta el centro de energía e inspeccione los soportes instalados en la parte posterior.
- Si faltan piezas o hay piezas dañadas, llame al distribuidor local o al soporte técnico al 1-800-822-7933 para obtener ayuda.

1. Mida la distancia desde el disyuntor (Consulte los requisitos de ubicación y el manual del equipo).
2. Mida la distancia al equipo (Consulte los requisitos de ubicación y el manual del equipo).
3. Abra el cerramiento de AquaLink TCX y quite el frente muerto de metal. El frente muerto está sujeto en su lugar mediante un tornillo. Consulte la Figura 1 (a).

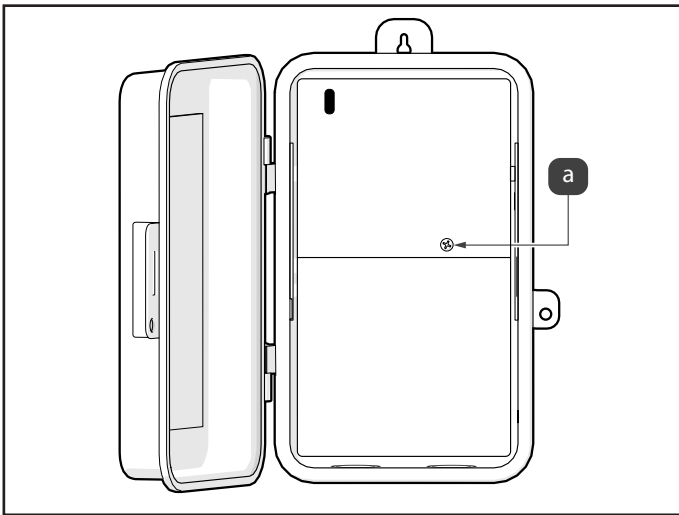


Figura 1. Extraiga el tornillo del frente muerto

4. Marque la ubicación para los tornillos de montaje. Hay uno ubicado en la parte superior del cerramiento y hay dos ubicados dentro del cerramiento, hacia la parte inferior.
5. Perfore orificios en el lugar donde se instalarán los tornillos de montaje.
6. Fije los tornillos (u otra tornillería adecuada para la superficie de montaje) a través de los orificios de montaje del cerramiento de AquaLink TCX.

3.2 Cableado

⚠ ADVERTENCIA

Riesgo de descarga eléctrica que puede resultar en lesiones graves o la muerte: Antes de intentar una instalación o realizar tareas de servicio, asegúrese de que toda energía al circuito que suministra energía al sistema esté desconectada o apagada en el disyuntor. Todo el cableado debe llevarse a cabo en cumplimiento de National Electrical Code® (NEC(R))®, NFPA70®.

En Canadá, debe cumplirse con Canadian Electrical Code (CEC), CSA C22.1. Deben seguirse todos los códigos y reglamentos de instalación locales que correspondan.

Las conexiones de cableado deben hacerse exactamente como se muestra en el diagrama de cableado que aparece en la parte interna del panel de la puerta central. Los códigos NEC y CEC también requieren que el equipo y los dispositivos asociados con el sistema de circulación

de agua de la piscina, incluidos, entre otros elementos, los motores de la bomba y los calentadores que se conectarán juntos como parte de la red de conexión equipotencial. Zodiac Pool Systems LLC ofrece un terminal de conexión equipotencial etiquetado en la parte inferior del centro de energía para este requisito.

3.2.1 Cableado de alto voltaje (bombas de velocidad única)

NOTA: Para las bombas de velocidad única, se usará el disyuntor de la bomba de filtro para energizar TCX. El relé no puede configurarse para usarse con otros equipos debido a que está en uso con la bomba.

1. Apague la energía en el panel del disyuntor.
2. Quite dos de los troqueles del cerramiento. Uno de los orificios de los troqueles conducirá al panel del disyuntor y el otro al equipo de la piscina.
3. Tienda un adaptador de terminal de 1/2" MPT a través de los orificios de los troqueles del cerramiento.
4. Corte y tienda el conducto. Mida la distancia entre el disyuntor de la bomba de filtro y el cerramiento.
5. Corte un segmento de conducto eléctrico de 1/2 para que coincida con la distancia entre el disyuntor de la bomba de filtro y el cerramiento.
6. Tienda los cables desde el disyuntor de la bomba de filtro a través del conducto hasta el cerramiento de AquaLink TCX.
7. Presione el conducto en el adaptador del terminal.
8. Ubique los dos cables de energía de entrada que provienen del disyuntor de la bomba de filtro.
9. Conecte una entrada de 'línea' en el terminal 1 y la otra en el terminal 3; consulte la Figura 2 (a).

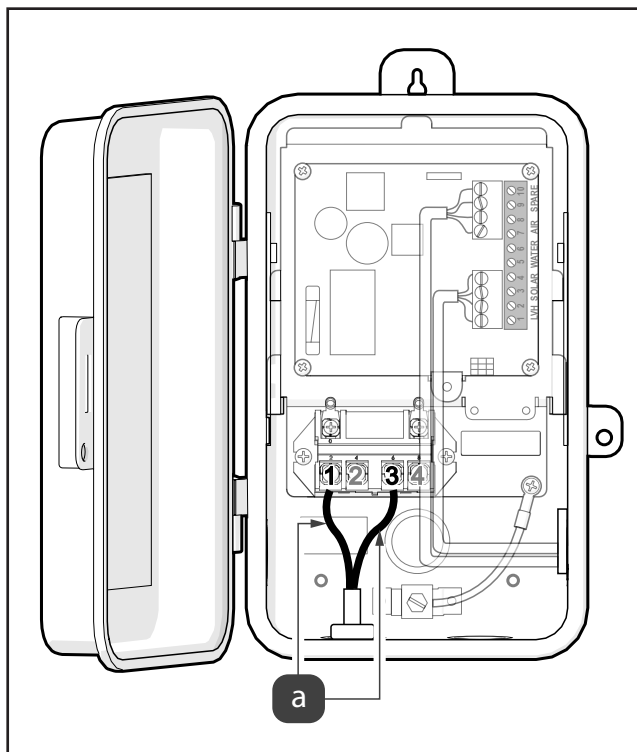


Figura 2. Conecte los cables de entrada

10. Conecte una bomba de filtro de velocidad única al lado de carga del relé; use los terminales 2 y 4; consulte la Figura 3 (a).

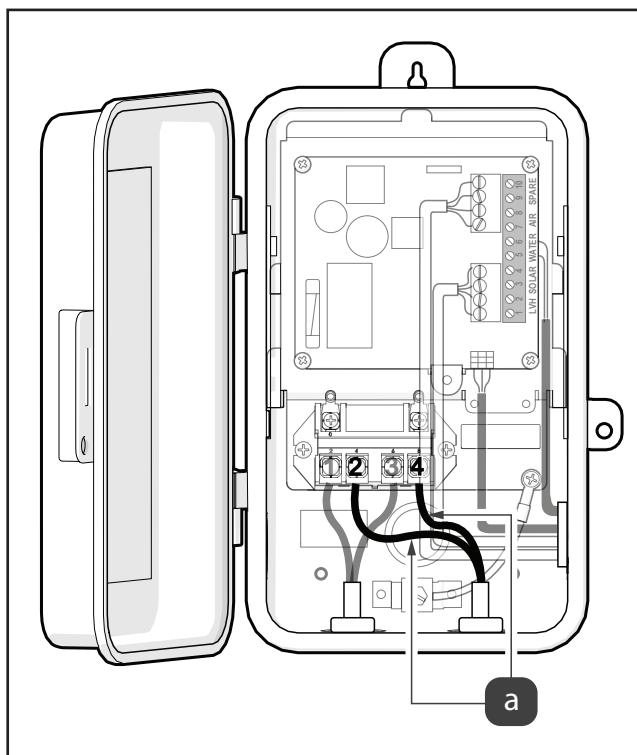


Figura 3. Conecte los cables de entrada de carga

3.2.2 Cableado de alto voltaje (bombas de velocidad variable)

NOTA: La bomba de velocidad variable debe cablearse “en vivo”.

1. Apague la energía en el panel del disyuntor.
2. Quite dos de los troqueles del cerramiento. Uno de los orificios de los troqueles conducirá al panel del disyuntor y el otro al equipo de la piscina.
3. Si no se usa relé para un clorador de agua salada, conecte el equipo (iluminación, bomba con característica de agua, bomba de refuerzo, bomba solar). Mida la distancia entre el equipo y el cerramiento.
4. Si se usará relé para el clorador de agua salada, tire de las líneas del disyuntor de la bomba de filtro al lado de la línea del relé y cablee la bomba en el lado de la línea del relé. Cablee el clorador de agua salada al lado de carga.
5. Corte un segmento de conducto eléctrico de 1/2" igual a esta distancia.
6. Tienda los cables desde el equipo a través del conducto hasta el cerramiento de AquaLink TCX.
7. Presione el conducto en el adaptador del terminal.
8. Conecte el cable de conexión a tierra al tornillo verde ubicado en el chasis de AquaLink TCX. El cable de conexión a tierra será verde/amarillo.
9. Conecte una entrada de “carga” en el terminal 2 y otro en el terminal 4; consulte la Figura 4 (a).

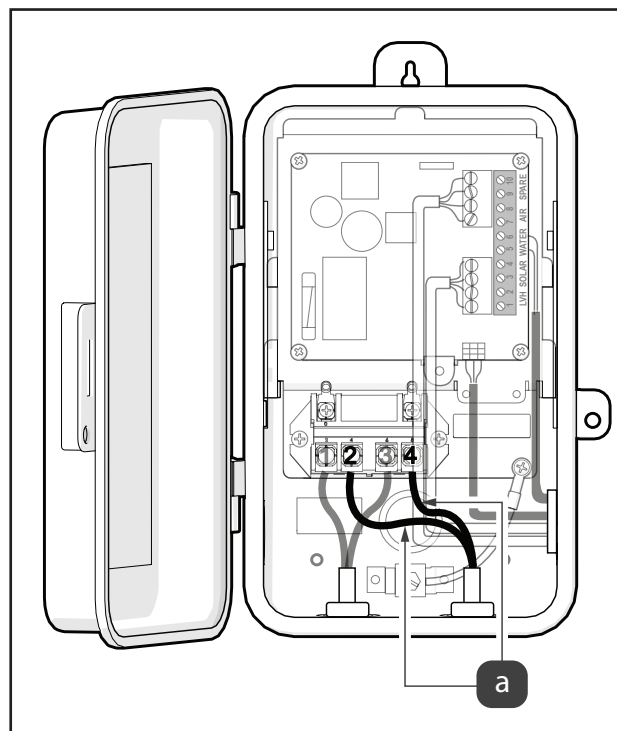


Figura 4. Conecte los cables de entrada de carga

3.3.2 Cableado de bajo voltaje

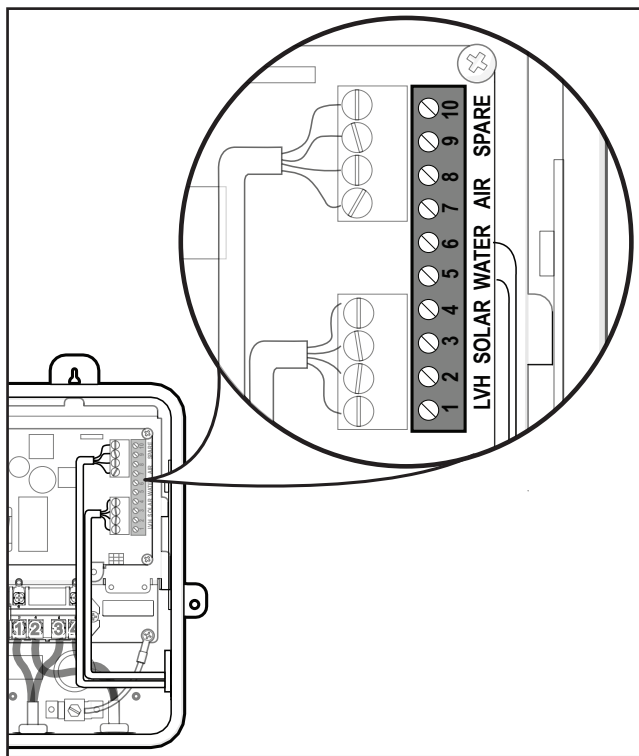


Figura 5. Acercamiento al conector verde de 10 pines

NOTA: Separe de manera permanente el cableado de alto y bajo voltaje mediante tuberías corrugadas.

1. Conecte los cables de comunicación RS-485 de bajo voltaje.
2. Si hay JVA presente, tienda el conector JVA a través de la esquina inferior derecha de la placa, a través del troquelado lateral y el acople de alivio de tensión.
3. Conecte el cable JVA; consulte la Figura 6 (a).

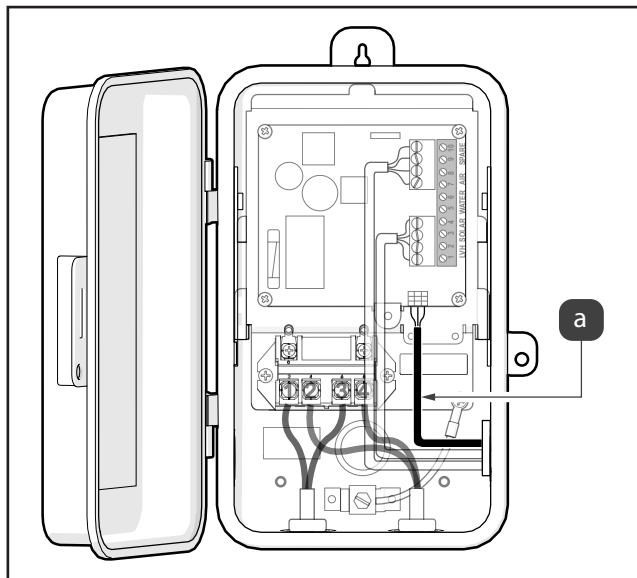


Figura 6. Versión para piscina únicamente; conexión de entradas de línea y cable JVA

4. Instale cables de bajo voltaje. Instale los cables para las conexiones del sensor de temperatura a través del troquelado lateral; consulte la Figura 7 (a).
5. Conecte los cables en el orden que se indica en la placa.
6. Verifique todos los puntos de conexión y el cableado para determinar que las conexiones sean seguras.

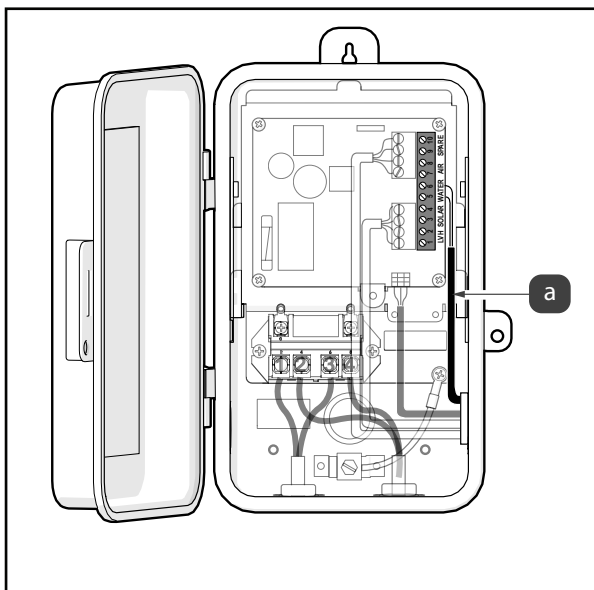


Figura 7. Conecte los cables de bajo voltaje

7. Si la mitad inferior del panel muerto debe quitarse, use pinzas diagonales para cortar las dos lengüetas posteriores; consulte la Figura 8 (a).
8. Corte la etiqueta del panel muerto a través de la abertura del panel muerto; consulte la Figura 8 (b).
9. Mueva la parte inferior del panel muerto hacia adelante y hacia atrás hasta que las lengüetas se rompan; consulte la Figura 8 (c).

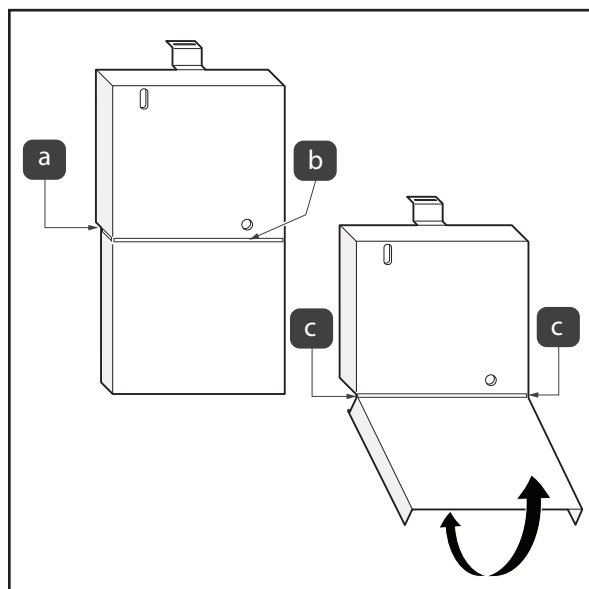


Figura 8. Vuelva a instalar el frente muerto

10. Vuelva a instalar el panel muerto delantero con el tornillo proporcionado
11. Cierre la puerta del cerramiento.
12. Encienda el disyuntor para restaurar la energía.

3.3 Instalación del sensor de temperatura de aire

NOTA: NO coloque el sensor en la luz solar directa.

1. Instale el sensor de temperatura de aire en una ubicación conveniente expuesta a temperaturas al aire libre.
2. Tienda el cable del sensor al centro de energía AquaLink TCX a través del canal de bajo voltaje (consulte el diagrama de cableado de la puerta del centro de energía).

NOTA: Determine el largo que debe tener el cable del sensor. Corte el extremo del cable, NO empalme este cable.

3. Extraiga la barra de terminales de 10 pines de la placa del centro de energía.
4. Coloque el cable NEGRO en el terminal n.º 7 y el cable ROJO en el terminal n.º 8.
5. Vuelva a colocar la barra de terminales de 10 pines en la placa del centro de energía.
6. Encienda el disyuntor para restaurar la energía.

3.4 Instalación y cableado del centro de comando

- Consulte el manual de instalación del centro de comando para obtener instrucciones detalladas.

3.5 Instalación del interruptor de luz inalámbrico

- Siga la aplicación y las instrucciones que se incluyen para emparejar el interruptor de luz inalámbrico.
- Es compatible con el número de pieza de Jandy WLS4INF

3.6 Conexiones equipotenciales

Zodiac Pool Systems LLC requiere que el centro de energía AquaLink TCX se conecte a un “bucle de conexión equipotencial” que incluya todos los equipos eléctricos en el sistema y en la base del equipo. Los bucles de conexión deben conectarse con un alambre de cobre sólido cuyo tamaño no sea inferior a 8 AWG (6 AWG in Canadá). De lo contrario, se podría anular la garantía de Zodiac Pool Systems LLC.

PRECAUCIÓN

Para evitar una avería prematura del equipo como resultado de inconsistencias y diferencias de voltaje, el centro de energía AquaLink TCX debe estar conectado a otros equipos que formen parte del sistema de tuberías de la piscina con un cable de cobre macizo de un diámetro superior a 8 AWG (6 AWG en Canadá).

Adicionalmente, el código National Electrical Code® (NEC®) de los Estados Unidos y el Código Eléctrico de Canadá (CEC) requieren que todos los componentes metálicos de la estructura de una piscina, incluidos el acero reforzado, los acoples metálicos y los componentes sobre el nivel del suelo, se conecten juntos (formando una red de conexión equipotencial) con un conductor de cobre sólido cuyo tamaño no sea inferior a 8 AWG (6 AWG en Canadá). Los códigos NEC y CEC también requieren que el equipo y los dispositivos asociados con el sistema de circulación de agua de la piscina, incluidos, entre otros elementos, los motores de la bomba y los calentadores que se conectarán juntos como parte de la red de conexión equipotencial. Zodiac Pool Systems LLC ofrece terminales de conexión equipotencial etiquetados especiales en la parte inferior del centro de energía para este requisito.

Después de conectar equipotencialmente los componentes electrónicos al terminal de conexión a tierra, el instalador debe verificar la continuidad de la conexión a tierra con un multímetro.

El terminal de conexión a tierra se suministra con el kit y debe instalarse a una altura de menos de 2 pulgadas de la parte inferior del cerramiento. Use una mecha de perforación de 1/8” para instalar la tornillería.

Sección 4. Instalación de AquaLink TCX™ con componentes anteriores

4.1 Cableado

El chasis y la PIB de AquaLink TCX se diseñaron para instalarse fácilmente en los cerramientos metálicos Intermatic® T104R y T30004R.

- El instalador debe asegurarse de que el cerramiento Intermatic® esté en buen estado de funcionamiento, incluidos todos los sellos/juntas, que deben estar en su lugar y funcionar, las puertas/bisagras/trabajos, que deben funcionar, el terminal de conexión a tierra, que debe estar presente, funcional y conectado equipotencialmente; además, no debe haber corrosión que ponga en riesgo la protección de acceso contra los elementos climáticos. De lo contrario, deberá usarse otro cerramiento.

⚠ ADVERTENCIA

Riesgo de descarga eléctrica que puede resultar en lesiones graves o la muerte: Antes de intentar una instalación o realizar tareas de servicio, asegúrese de que toda energía al circuito que suministra energía al sistema esté desconectada o apagada en el disyuntor. Todo el cableado debe llevarse a cabo en cumplimiento con National Electrical Code® (NEC)®, NFPA-70®.

En Canadá, debe cumplirse con Canadian Electrical Code (CEC), CSA C22.1. Deben seguirse todos los códigos y reglamentos de instalación locales que correspondan.

Las conexiones de cableado deben hacerse exactamente como se muestra en el diagrama de cableado que aparece en la parte interna del panel de la puerta central. Los códigos NEC y CEC también requieren que el equipo y los dispositivos asociados con el sistema de circulación de agua de la piscina, incluidos, entre otros elementos, los motores de la bomba y los calentadores que se conectarán juntos como parte de la red de conexión equipotencial. Zodiac Pool Systems LLC ofrece un terminal de conexión equipotencial etiquetado en la parte inferior del centro de energía para este requisito.

1. Apague la energía en el panel del disyuntor.
2. Desconecte el cableado de alto voltaje.
3. Para quitar el reloj, presione la lengüeta de montaje hacia abajo y tire del conjunto del reloj; consulte la Figura 9 (a)

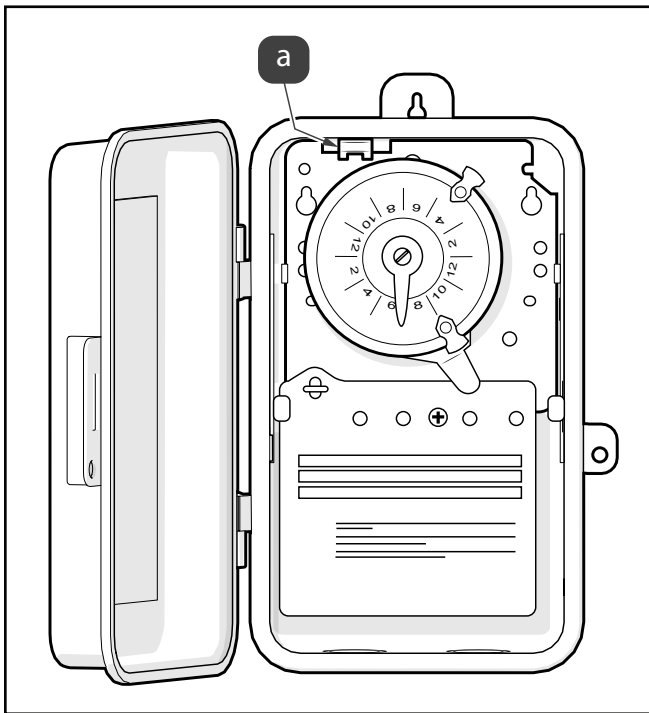


Figura 9. Quite el reloj de la unidad Intermatic®

4. Haga descender el chasis de AquaLink TCX en la caja Intermatic® vacía y deslice debajo de las orejetas de retención; consulte la Figura 10 (a)

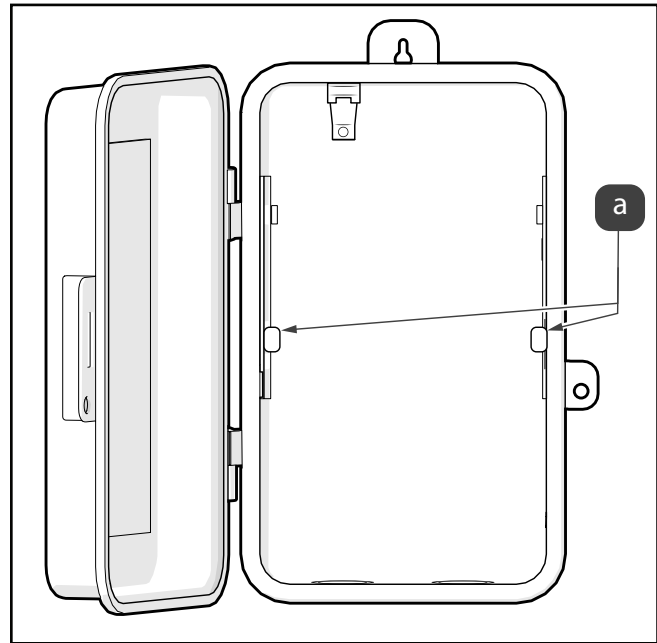


Figura 10. Ubicación de las orejetas de retención de Intermatic®

5. Empuje el chasis de AquaLink TCX hasta que se trabe en su lugar debajo de la lengüeta de montaje; consulte la Figura 11 (a)
6. Conecte el cable de conexión a tierra al tornillo verde ubicado en el mecanismo de AquaLink TCX; consulte la Figura 11 (b).
7. Instale el terminal de conexión a tierra si no hay uno todavía. (Consulte la Sección 4.3).
8. Si no hay gancho de resorte, fije el chasis de TCX con un tornillo de sujeción; consulte la Figura 11 (c).

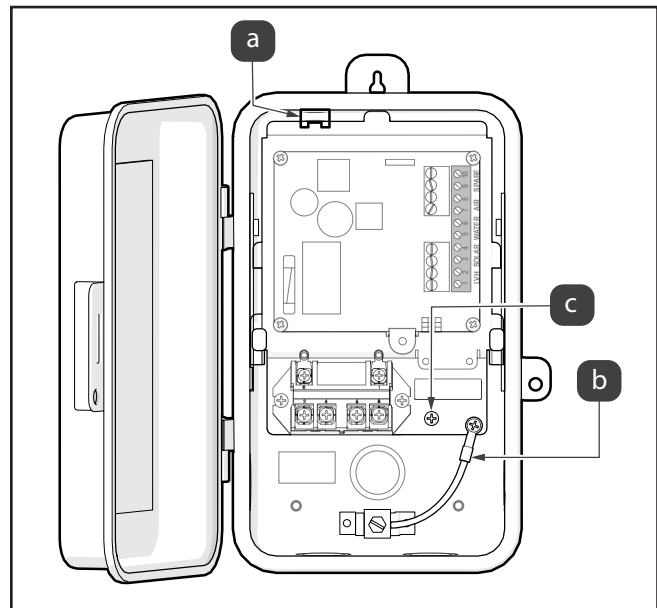


Figura 11. Montaje y conexión a tierra del chasis de TCX

4.1.1 Cableado de bajo voltaje

NOTA: Separe de manera permanente el cableado de alto y bajo voltaje mediante tuberías corrugadas.

1. Conecte los cables de comunicación RS-485 de bajo voltaje.
2. Ubique los dos cables de energía de entrada que provienen del disyuntor; consulte la Figura 12 (a).
3. Conecte una entrada de ‘línea’ en el terminal 1 y la otra en el terminal 3; consulte la Figura 12 (b).
4. Si hay JVA presente, tienda el conector JVA a través de la esquina inferior derecha de la placa, a través del troquelado lateral y el acople de alivio de tensión.
5. Conecte el cable JVA; consulte la Figura 12 (c).

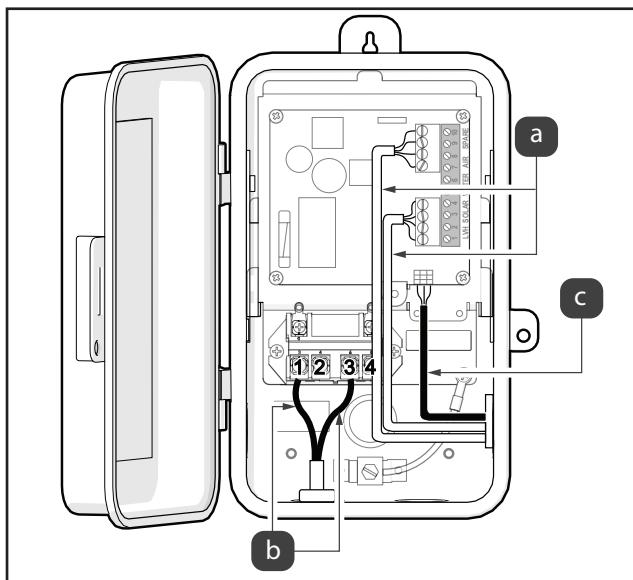


Figura 12. Versión para piscina únicamente; conexión de entradas de línea y cable JVA

6. Instale cables de bajo voltaje. Instale los cables para las conexiones del sensor de temperatura a través del troquelado lateral; consulte la Figura 13 (a).
7. Conecte los cables en el orden que se indica en la placa.
8. Conecte el equipo (iluminación/sal/bomba). Mida la distancia entre el equipo y el cerramiento.
9. Corte un segmento de conducto eléctrico de 1/2" igual a esta distancia.
10. Tienda los cables desde el equipo a través del conducto hasta el cerramiento de AquaLink TCX.

11. Presione el conducto en el adaptador del terminal.
12. Conecte el cable de conexión a tierra al tornillo verde ubicado en el chasis de AquaLink TCX. El cable de conexión a tierra será verde/amarillo.
13. Ubique los dos cables de entrada que provienen del equipo.
14. Conecte una entrada de “carga” en el terminal 2 y la otra en el terminal 4; consulte la Figura 13 (b).
15. Verifique todos los puntos de conexión y el cableado para determinar que las conexiones sean seguras.

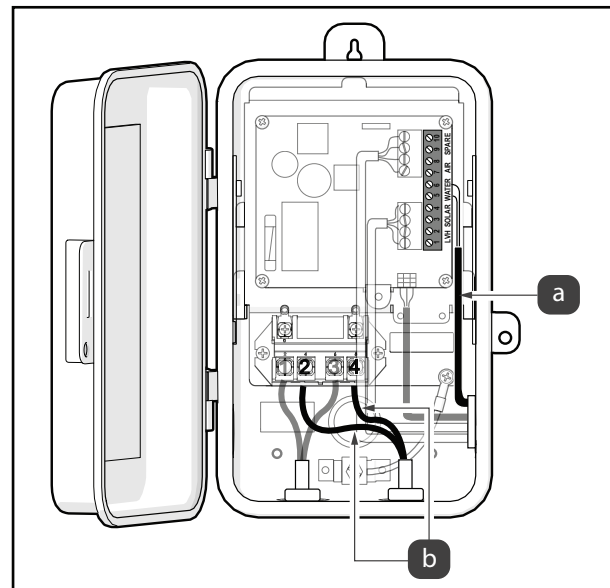


Figura 13. Conecte los cables de entrada de carga

16. Si la mitad inferior del panel muerto debe quitarse, use pinzas diagonales para cortar las dos lengüetas posteriores; consulte la Figura 14 (a).
17. Corte la etiqueta del panel muerto a través de la abertura del panel muerto; consulte la Figura 14 (b).
18. Mueva la parte inferior del panel muerto hacia adelante y hacia atrás hasta que las lengüetas se rompan; consulte la Figura 14 (c).

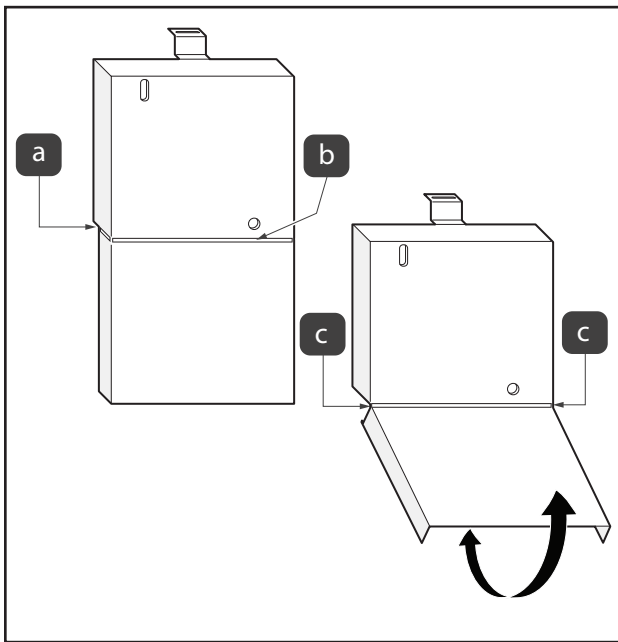


Figura 14. Vuelva a instalar el frente muerto

19. Instale el panel muerto delantero con el tornillo proporcionado.
20. Cierre la puerta del cerramiento.
21. Encienda el disyuntor para restaurar la energía.

4.2 Instalación del sensor de temperatura de aire

NOTA: NO coloque el sensor en la luz solar directa.

1. Instale el sensor de temperatura de aire en una ubicación conveniente expuesta a temperaturas al aire libre.
2. Tienda el cable del sensor al centro de energía Aqualink TCX a través del canal de bajo voltaje (consulte el diagrama de cableado de la puerta del centro de energía).

NOTA: Determine el largo que debe tener el cable del sensor. Corte el extremo del cable, NO empalme este cable.

3. Extraiga la barra de terminales de 10 pines de la placa del centro de energía.
4. Coloque el cable NEGRO en el terminal n.º 7 y el cable ROJO en el terminal n.º 8.
5. Vuelva a colocar la barra de terminales de 10 pines en la placa del centro de energía.
6. Encienda el disyuntor para restaurar la energía.

4.3 Instalación y cableado del centro de comando

- Consulte el manual de instalación del centro de comando para obtener instrucciones detalladas.

4.4 Instalación del interruptor de luz inalámbrico

- Siga la aplicación y las instrucciones que se incluyen para emparejar el interruptor de luz inalámbrico.
- Es compatible con el número de pieza de Jandy WLS4INF

4.5 Conexiones equipotenciales

Zodiac Pool Systems LLC., requiere que el centro de energía AquaLink TCX se conecte a un “bucle de conexión equipotencial” que incluya todos los equipos eléctricos en el sistema y en la base del equipo. Los bucles de conexión deben conectarse con un alambre de cobre sólido cuyo tamaño no sea inferior a 8 AWG (6 AWG in Canadá). De lo contrario, se podría anular la garantía de Zodiac Pool Systems LLC.

PRECAUCIÓN

Para evitar una avería prematura del equipo como resultado de inconsistencias y diferencias de voltaje, el centro de energía AquaLink TCX debe estar conectado a otros equipos que formen parte del sistema de tuberías de la piscina con un cable de cobre macizo de un diámetro superior a 8 AWG (6 AWG en Canadá).

Adicionalmente, el código National Electrical Code® (NEC®) de los Estados Unidos y el Código Eléctrico de Canadá (CEC) requieren que todos los componentes metálicos de la estructura de una piscina, incluidos el acero reforzado, los acoples metálicos y los componentes sobre el nivel del suelo, se conecten juntos (formando una red de conexión equipotencial) con un conductor de cobre sólido cuyo tamaño no sea inferior a 8 AWG (6 AWG en Canadá).

Los códigos NEC y CEC también requieren que el equipo y los dispositivos asociados con el sistema de circulación de agua de la piscina, incluidos, entre otros elementos, los motores de la bomba y los calentadores que se conectarán juntos como parte de la red de conexión equipotencial. Zodiac Pool Systems LLC ofrece terminales de conexión equipotencial etiquetados especiales en la parte inferior del centro de energía para este requisito.

Después de conectar equipotencialmente los componentes electrónicos al terminal de conexión a tierra, el instalador debe verificar la continuidad de la conexión a tierra con un multímetro.

El terminal de conexión a tierra se suministra con el kit y debe instalarse a una altura de menos de 2 pulgadas de la parte inferior del cerramiento. Use una mecha de perforación de 1/8” para instalar la tornillería.

NOTAS

Zodiac Pool Systems LLC

2882 Whiptail Loop # 100, Carlsbad CA 92010

1.800.822.7933 | Jandy.com

Zodiac Pool Systems Canada, Inc

3365 Mainway, Unit 2

Burlington, Ontario L7M 1A6

1-888-647-4004 | Jandy.ca

ZODIAC® es una marca comercial registrada de Zodiac International, S.A.S.U., utilizada bajo licencia.

Todas las demás marcas comerciales a las que se hace referencia en este documento son propiedad de sus respectivos dueños.