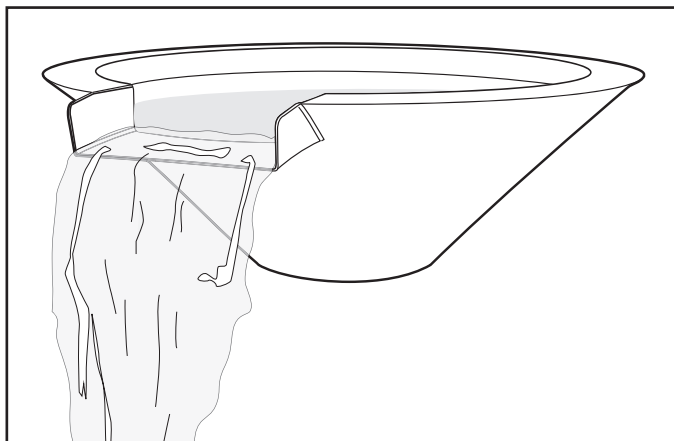




GRAND EFFECTS
FIRE & WATER ELEMENTS



Grand Effects® **Water Bowl** **Installation and Operation**

! WARNING

FOR YOUR SAFETY - This product must be installed and serviced by a contractor who is licensed and qualified in pool equipment by the jurisdiction in which the product will be installed where such state or local requirements exist. The maintainer must be a professional with sufficient experience in pool equipment installation and maintenance so that all of the instructions in this manual can be followed exactly. Before installing this product, read and follow all warning notices and instructions that accompany this product. Failure to follow warning notices and instructions may result in property damage, personal injury, or death. Improper installation and/or operation may void the warranty.

ATTENTION INSTALLER - This manual contains important information about the installation, operation and safe use of this product. This information should be given to the owner/operator of this equipment.

Table of Contents

Contents

Section 1. Important Safety Instructions	3
Section 2. General Description	4
2.1 Product Overview	4
2.2 Product Contents.....	4
Section 3. Installing the Grand Effects® Water Bowls	5
3.1 Preparing the Water Bowl for Installation	5
3.2 Water Requirements	6
3.3 Installing the Water Bowl.....	6

Section 1. Important Safety Instructions

IMPORTANT SAFETY INSTRUCTIONS PERTAINING TO A RISK OF FIRE OR INJURY TO PERSONS. READ AND FOLLOW ALL INSTRUCTIONS

When installing and using this electrical equipment, basic safety precautions should always be followed, including the following:

WARNING

Before installing this water bowl, read and follow all warning notices and instructions accompanying this water bowl. Failure to follow safety warnings and instructions can result in severe injury, death, or property damage. Visit www.fluidra.com for additional free copies of these instructions or call Fluidra Technical Support at 800.822.7933 (U.S.) or Grand Effects at 949.697.5270

ATTENTION INSTALLER

This manual contains important information about the installation, operation and safe use of this product. This information should be given to the owner/operator of this equipment.

SAVE THESE INSTRUCTIONS

Section 2. General Description

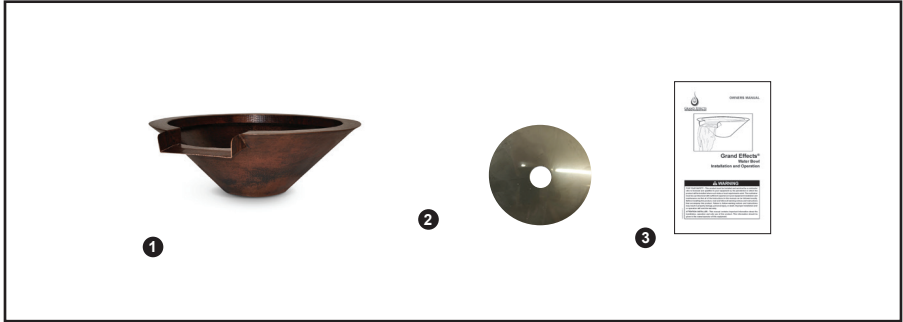
2.1 Product Overview

This manual provides instructions for installing and replacing the Grand Effects® Water Bowls.

CAUTION

The Grand Effects Water Bowls are not serviceable and therefore contain no serviceable parts. In order to prevent risk of property damage and/or injury, no service should be attempted to the bowl in the event of a malfunction.

2.2 Product Contents



- | | |
|---|-------|
| 1. Grand Effects Water Bowl | Qty 1 |
| 2. Stainless Washer | Qty 1 |
| 3. Grand Effects Water Bowl Installation and Operation Manual | Qty 1 |

Section 3. Installing the Grand Effects® Water Bowls

3.1 Preparing the Water Bowl for Installation

Metallic equipment, including metallic gas piping, shall be bonded in accordance with the National Electrical Code in the US, and Canadian Electrical Code in Canada.

BONDING

In the United States the National Electrical Code® (NEC®) and in Canada the Canadian Electrical Code (CEC), require that all metallic components of a pool structure, including reinforcing steel, metal fittings and above ground components be bonded together (forming an equipotential bonding grid) with a solid copper conductor not smaller than an 8 AWG (6 AWG in Canada).

Additionally, Fluidra requires that as required by Article 680 of the NEC, the appliance be properly connected to an equipotential bonding grid/loop that includes all electrical equipment in the system and on the equipment pad. Bonding lugs must be connected with a solid copper wire at least 8 AWG (6 AWG in Canada) or larger. Failure to do so may void the Fluidra warranty.

CAUTION

To prevent premature failure of the appliance resulting from stray voltages and voltage differentials, the metal bowl and burner must be bonded to other equipment which is part of the pool plumbing system with a solid copper wire not smaller in diameter than 8 AWG (6 AWG) in Canada).

BONDING A METAL BOWL (COPPER OR ALUMINUM)

Note: The Bowl contains a bonding lug near the bottom. See Figure 1.

1. Loosen the setscrew.
2. Insert the bond wire into the hole.
3. Tighten the setscrew until the bond wire is secured into place.
4. Run the free end of the bond wire through the center opening of the stainless washer and secure to a ground point.

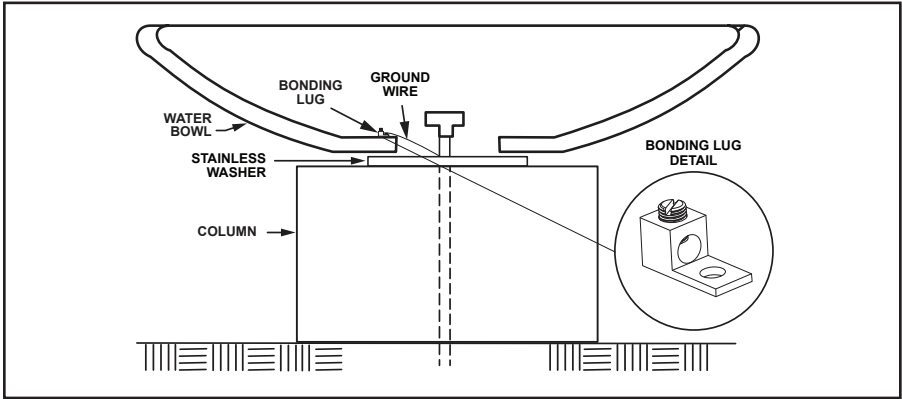


Figure 1. Bonding Lug on Water Bowl

3.2 Water Requirements

Water Flow	12-15 gpm
------------	-----------

3.3 Installing the Water Bowl

1. Install a 1" PVC water line in the middle of column. See Figure 2.

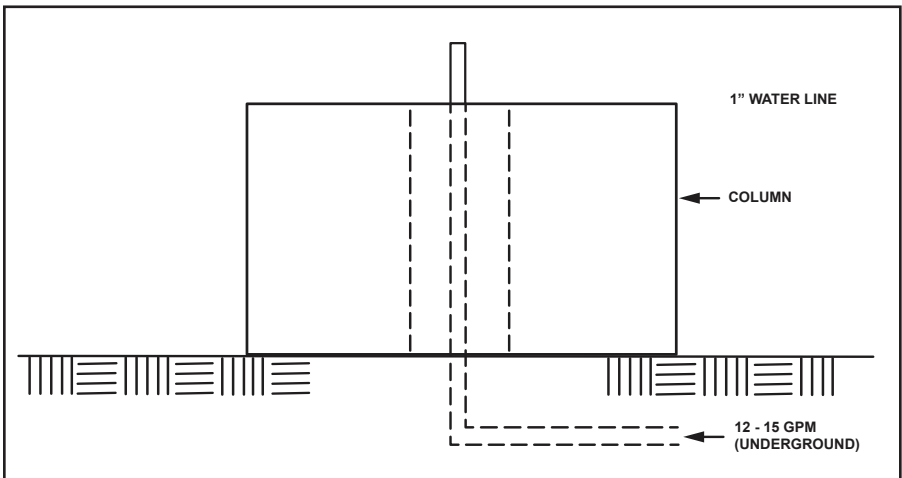


Figure 2. Water Line Column

2. Install the stainless washer supplied by Grand Effects. See Figure 3.

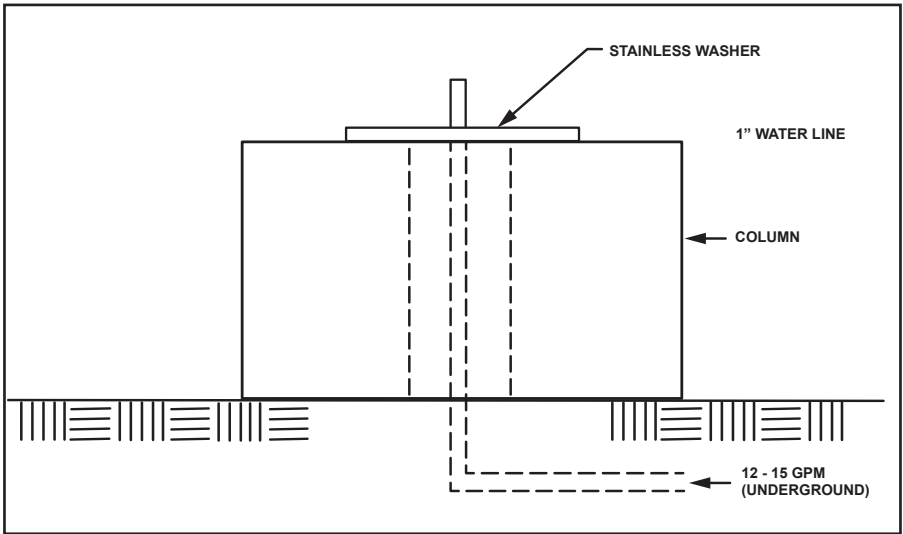


Figure 3. Install Stainless Washer

3. Level the Water Bowl using shims under the base of the bowl. See Figure 4.
4. Permanently secure the base of the bowl and the stainless washer to the cap using 3M Scotch-Weld Epoxy Adhesive 2216 B/A. See Figure 4.
5. Silicone the gap between the stainless washer and the PVC water pipe. See Figure 4.

NOTE: The Water Bowl should be watertight.

6. Cut the PVC water line to the desired height, and add a "T" fitting to the water pipe. See Figure 4.

NOTE: The copper Water Bowl will patina inside the bowl.

7. If desired, install decorative stone or pebbles inside the bowl.

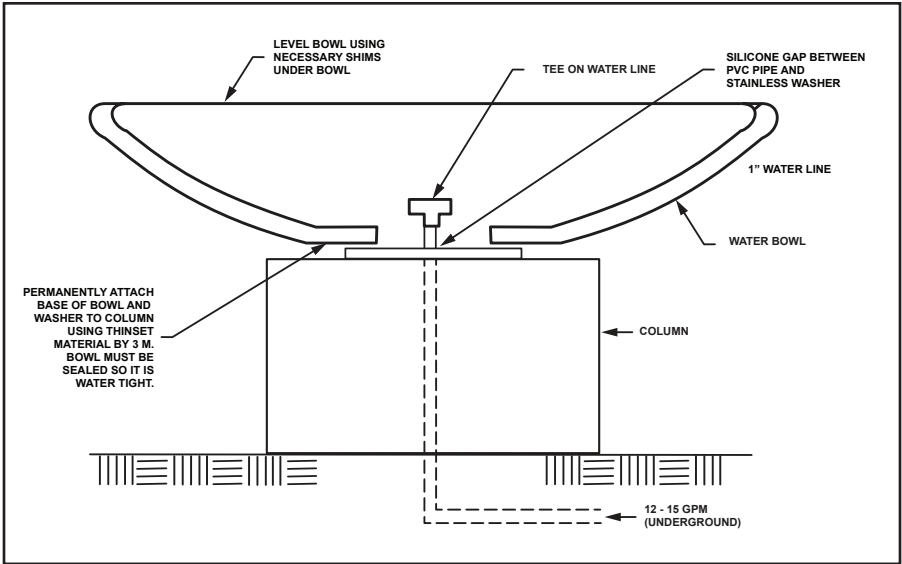


Figure 4. Mounting

Grand Effects

23121 Arroyo Vista, Suite B, Rancho Santa Margarita, CA 92688
 1.949.697.5270 | www.GrandEffects.com

Fluidra

2882 Whiptail Loop #100, Carlsbad, CA 92010
 1.800.822.7933 | www.Fluidra.com

©2020 Zodiac Pool Systems LLC. All rights reserved.
 ZODIAC® is a registered trademark of Zodiac International, S.A.S.U., used under license. All other trademarks are the property of their respective owners.

H0663600 REV A

