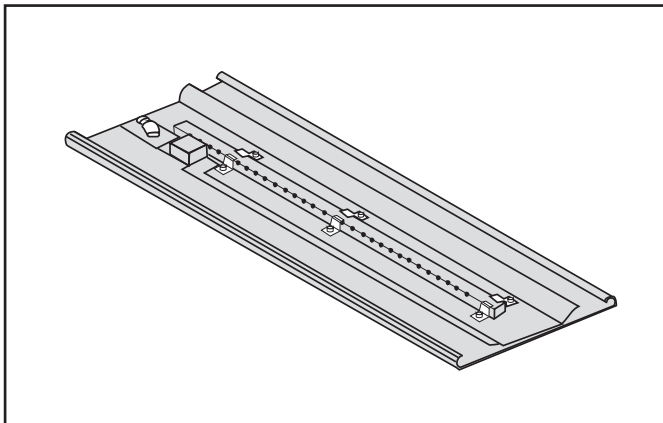




OPERATION AND MAINTENANCE MANUAL

GRAND EFFECTS
FIRE & WATER ELEMENTS



Grand Effects® Linear Burner Inserts Automated Operation

⚠ WARNING

IF THESE INSTRUCTIONS ARE NOT FOLLOWED EXACTLY, A FIRE OR EXPLOSION MAY RESULT, CAUSING PROPERTY DAMAGE, PERSONAL INJURY, OR DEATH.

FOR YOUR SAFETY: This product must be installed and serviced by a contractor who is licensed and qualified in pool equipment by the jurisdiction in which the product will be installed where such state or local requirements exist. In the event no such state or local requirement exists, the installer or maintainer must be a professional with sufficient experience in pool equipment installation and maintenance so that all of the instructions in this manual can be followed exactly. Before installing this product, read and follow all warning notices and instructions that accompany this product. Failure to follow warning notices and instructions may result in property damage, personal injury, or death. Improper installation and/or operation can create carbon monoxide gas and flue gases which can cause serious injury, property damage, or death. For installations in the vicinity of occupied/living spaces, as an additional measure of safety, Zodiac Pool Systems LLC strongly recommends installation of suitable carbon monoxide detectors in the vicinity of this appliance and in any adjacent occupied spaces. Improper installation and/or operation may void the warranty.

Do not store or use gasoline or other flammable vapors and liquids in the vicinity of this or any other appliance.

WHAT TO DO IF YOU SMELL GAS

- Immediately switch off main gas supply.
- Do not try to light any appliance.
- Do not touch any electrical switch; do not use any phone in your building.
- Immediately call your gas supplier from a neighbor's phone. Follow the gas supplier's instructions.
- If you cannot reach your gas supplier, call the fire department.

Installation and service must be performed by a qualified installer, service agency or the gas supplier.

Table of Contents

Contents

Section 1. Important Safety Instructions	3
Section 2. General Description	4
2.1 Product Overview	4
2.2 Product Contents.....	5
Section 3. Installing the Grand Effects® Linear Burners	6
3.1 Preparing the Linear Burner for Installation.....	6
3.2 Gas and Electric Requirements.....	7
3.3 Construction of Burner Cavity	8
3.4 Installing the Linear Burner	9
3.5 Installing the Sub-Panel	13
Section 4. Burner Setup and Adjustment	18
4.1 Burner Setup	18
4.2 Burner Adjustment.....	19
Section 5. Maintenance	20
Section 6. Operation	21
6.1 Operating Instructions	21
Section 7. Troubleshooting.....	22
Section 8. Wiring Diagram	25

Section 1. Important Safety Instructions

IMPORTANT SAFETY INSTRUCTIONS PERTAINING TO A RISK OF FIRE, ELECTRIC SHOCK, OR INJURY TO PERSONS READ AND FOLLOW ALL INSTRUCTIONS

When installing and using this electrical equipment, basic safety precautions should always be followed, including the following:

DANGER

RISK OF ELECTRICAL SHOCK OR ELECTROCUTION. This fire pit linear burner must be installed by a licensed or certified electrician in accordance with the National Electrical Code® and applicable local codes and ordinances. In Canada, the Canadian Electrical Code and all applicable local codes and ordinances must be adhered to. Improper installation will create an electrical hazard, which could result in death or serious injury to pool or spa users, installers, or others due to electrical shock, and may also cause damage to property. Read and follow the specific instructions below.

WARNING

Before installing this fire pit linear burner, read and follow all warning notices and instructions accompanying this pit. Failure to follow safety warnings and instructions can result in severe injury, death, or property damage.

Visit www.zodiacpoolsystems.com for additional free copies of these instructions or call Zodiac Technical Support at 800.822.7933 (U.S.) or Grand Effects at 949.697.5270

ATTENTION INSTALLER

This manual contains important information about the installation, operation and safe use of this product. This information should be given to the owner/operator of this equipment.

SAVE THESE INSTRUCTIONS

⚠ WARNING

RISK OF ELECTRICAL SHOCK OR ELECTROCUTION, which could result in serious injury or death. The Grand Effects Fire Pits are only available for 12-volt AC power. For supply connection, use only an isolating low voltage power supply with ungrounded output, evaluated and listed by a Nationally Recognized Testing Laboratory (NRTL) for swimming pool use.

Section 2. General Description

2.1 Product Overview

This manual provides instructions for installing and replacing the Grand Effects® Linear Burner Assembly.

- There are two possible mounting locations for the Grand Effects Sub Panel: Inner and Outer Mount.
- Outer Mount means the Sub Panel will be located outside of the burner cavity.
- Inner Mount means the Sub Panel will be located inside of the burner cavity.
- See pictures of system components on Fig.3
- See schematic of system layouts on Figures 5 and 6.
- See overview of piping and electrical diagrams on Figures 7,8,9,10.
- For Outer Mount, Sub Panels require two 4” conduits through cavity wall, one for gas and one for electrical.
- Sub Panels installed as Outer Mounts must be located in a location with good drainage.
- Dimensions to construct burner cavities are shown in Figures 1 and 2.
- **Ventilation is a requirement and must be built into structure as shown in Figures 17 and 21.**

⚠ WARNING

Improper installation or maintenance can cause nausea or asphyxiation from carbon monoxide in flue gases which could result in severe injury, or death. For installations that may be close to occupied or living spaces, as an additional measure of safety, Zodiac Pool Systems LLC strongly recommends the installation of suitable Carbon Monoxide detectors in the vicinity of this appliance and in any adjacent occupied spaces.

⚠ WARNING

This unit is for outdoor use only.

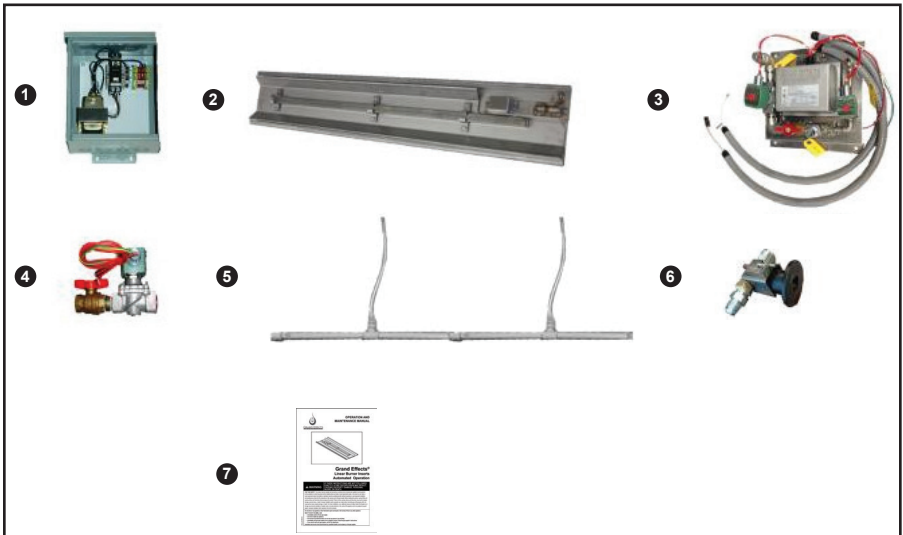
Clearances: Sides 4 ft / Top 6 ft

⚠ WARNING

To avoid the risk of property damage and serious injury, Gas hosing and Electrical wiring conductors should be located **INSIDE** the end of trough for **INSIDE MOUNT** and **OUTSIDE** of trough for the **OUTSIDE MOUNT**.

For Outer Mount do not run burner wires in tight space, do not run wires through dirt or encase in concrete or tight fitting conduit. They need to be loose and in open space or they will not work properly.

2.2 Product Contents



- | | |
|---|-------|
| 1. Control Panel | Qty 1 |
| 2. Grand Effects® Linear Burner Assembly | Qty 1 |
| 3. Sub-Panel | Qty 1 |
| 4. Propane Adder (required with propane) | Qty 1 |
| 5. Pre-assembled Pipe Train (optional) | Qty 1 |
| 6. Key Valve (optional) | Qty 1 |
| 7. Grand Effects Linear Burner Automated Operation and Maintenance Manual | Qty 1 |

Section 3. Installing the Grand Effects® Linear Burners

WARNING

Risk of Electrical Shock or Electrocutation. This linear burner must be installed by a licensed or certified electrician or a qualified pool serviceman in accordance with the National Electrical Code® (Canadian Electrical Code, in Canada) and all applicable local codes and ordinances. Improper installation will create an electrical hazard, which could result in death or serious injury to pool or spa users, installers or others due to electrical shock, and may also cause damage to property.

Always disconnect the power to the Linear Burner at the circuit breaker before installing or servicing the bowl. Failure to do so could result in death or serious injury to serviceman, pool or spa users or others due to electrical shock.

3.1 Preparing the Linear Burner for Installation

Note: The electrician must complete preparatory steps before fire pit is installed.

The National Electrical Code® (NEC®) allows listed low-voltage gas fired-luminaires, decorative fireplaces, fire pits, and similar equipment using low voltage ignitors that do not require grounding, and are supplied by a listed transformer / power supply with outputs that do not exceed the low-voltage contact limit (15 V RMS ac, 30 V continuous dc) to be permitted to be located less than 1.5 m (5 ft) from the inside walls of the pool.

Metallic equipment, including metallic gas piping, shall be bonded in accordance with the National Electrical Code in the US, and Canadian Electrical Code in Canada.

BONDING THE LINEAR BURNER

1. Loosen the hose clamp at one side of the spillway and disconnect the hose.
2. Remove brass barb fitting and set aside.
3. Use two (2) 1/2" sealing rings on the gas piping for bonding. Securely thread the first sealing ring to the bottom of the pipe threads, then wrap with bonding wire and thread on the remaining sealing ring.
4. Apply pipe dope to the bonded pipe.
5. Replace the brass barb fitting. Ensure it is tightly secured.
6. Reconnect the hose and tighten the hose clamp.

3.2 Gas and Electric Requirements

Input Voltage	120 VAC / 60 Hz to Grand Effects® Control Panel	
Output Voltage	24Vac or 12Vac (each unit requires less than 3 amperes)	
Gas Type	Natural	Propane
Gas Pressure (Nominal)	7" wc	11" wc

3.2.1 GAS FLOW REQUIREMENTS

Length	36"	48"	60"	72"	84"	96"	108"	120"
BTU/Hr	120,000	155,000	190,000	225,000	260,000	295,000	330,000	365,000

WARNING

Improper installation, adjustment, alteration, service or maintenance can cause injury, property damage or death. Read the installation, operating and maintenance instructions thoroughly before installing or servicing this equipment. Do not install near any combustibles such as wood structures, fuels, clothing, fabrics or dry vegetation. Do not use this appliance if any part has been under water. Immediately call a qualified service technician to inspect the appliance and to replace any part of the control system and any gas control which has been under water. Leaking LP-gas may cause a fire or explosion if ignited causing serious bodily injury or death. A LP gas regulator should never be installed under the Linear Fire Pit. It should be installed by a gas expert in a remote location away from the heat source. Check with your gas supplier to verify gas flows and pressures available at the location of your installation. In many cases utility companies will install larger meters at no charge to accommodate larger flows. Propane, as for the purpose of this standard means a hydrocarbon product meeting the CGSB Specification CAN/CGSB-3.14. Call manufacturer for setup on high altitude installations.

3.3 Construction of Burner Cavity

Burner Cavity Depth-

20" Minimum Cavity Depth Requirement for Subpanel Inner Mount 12"

Minimum Cavity Depth Requirement for Subpanel Outer Mount

Burner Length	Support Plate Inner Mount	Inner Optimum LxWxD (I.D.)	Burner Supports	Required # of Vent Openings and Diameter Inner Mount
3 feet	60" x 13"	61" x 13.5" x 20"	Brackets provided by GE	(4) / 2.5" Dia.
4 feet	72" x 13"	73" x 13.5" x 20"	Brackets provided by GE	(4) / 2.5" Dia.
5 feet	84" x 13"	86" x 13.5" x 20"	Brackets provided by GE	(6) / 2.5" Dia.
6 feet	96" x 13"	98" x 13.5" x 20"	Brackets provided by GE	(6) / 2.5" Dia.
7 feet	108" x 13"	110" x 13.5" x 20"	Brackets provided by GE	(8) / 2.5" Dia.
8 feet	120" x 13"	123" x 13.5" x 20"	Brackets provided by GE	(8) / 2.5" Dia.
9 feet	132" x 13"	135" x 13.5" x 20"	Brackets provided by GE	(10) / 2.5" Dia.
10 feet	144" x 13"	147" x 13.5" x 20"	Brackets provided by GE	(10) / 2.5" Dia.

Table 1. Required Dimensions for Burner Cavity (Inner Mount)

Burner Length	Support Plate Outer Mount	Inner Optimum LxWxD (O.D.)	Burner Supports	Required # of Vent Openings and Diameter Inner Mount
3 feet	44" x 13"	45" x 13.5" x 12"	Brackets provided by GE	(2) / 2.5" Dia.
4 feet	56" x 13"	57" x 13.5" x 12"	Brackets provided by GE	(2) / 2.5" Dia.
5 feet	68" x 13"	70" x 13.5" x 12"	Brackets provided by GE	(3) / 2.5" Dia.
6 feet	80" x 13"	82" x 13.5" x 12"	Brackets provided by GE	(3) / 2.5" Dia.
7 feet	92" x 13"	94" x 13.5" x 12"	Brackets provided by GE	(4) / 2.5" Dia.
8 feet	104" x 13"	107" x 13.5" x 12"	Brackets provided by GE	(4) / 2.5" Dia.
9 feet	116" x 13"	119" x 13.5" x 12"	Brackets provided by GE	(5) / 2.5" Dia.
10 feet	128" x 13"	131" x 13.5" x 12"	Brackets provided by GE	(5) / 2.5" Dia.

Table 2. Required Dimensions for Burner Cavity (Outer Mount)

3.4 Installing the Linear Burner

⚠ WARNING

Do not install near any combustibles such as wood structures, fuels, clothing, fabrics, or dry vegetation.

Keep surrounding area clear of all debris such as paper, leaves, pine-needles and other combustible materials.

⚠ WARNING

This unit is for outdoor use only.

Recommended CSA/AGA Clearances: Sides 4 ft / Top 6 ft

Install fire features well out of the way of pedestrian traffic. For installation on or over non-combustible floors only.

Installation shall be performed by a licensed contractor. All aspects of installation must conform to local or national codes, or in the absence of codes, with Natural Fuel Gas Code NFPA® 54 / ANSI Z223.1.

The control panel and approved gas valve must be located where they can be easily accessible so that the gas can be shut off quickly in case of an emergency.

1. Install the control panel and gas piping as shown in Figure 1: Natural Gas, Figure 2: Propane Gas, or Figure 3: Commercial Installation. Gas lines must be clean and free from any dirt, debris, or contamination.

Note: Propane piping is different than natural gas piping (shown in Figure 1 and Figure 2).

2. A safety device called a Propane Adder Valve is required with propane as shown in Figure 2. It is installed upstream of the Line Burner and serves as a redundant safety valve to minimize potential of leakage.
3. Install low voltage wiring (24 or 12VAC 12, 14 or 16 ga.) underground between the control panel and each bowl. Wire per Grand Effects® wiring diagram. 120v source into the control panel can come from any 120v source, including auxiliary relay from the pool controller or home system. Typically, the pool controller is the device that turns the unit on and off. If a pool controller is not available, Grand Effects can provide a hand held remote system or an electrician can wire a decorative switch for on/off control up stream of the Grand Effects control panel.

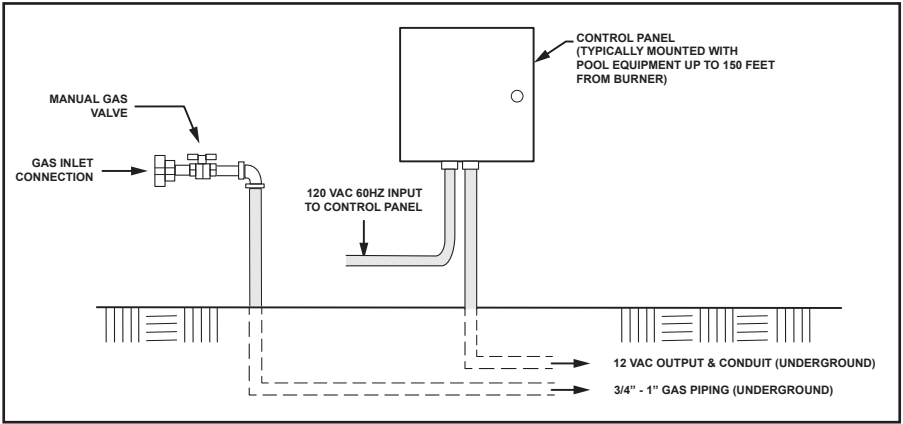


Figure 1. Natural Gas

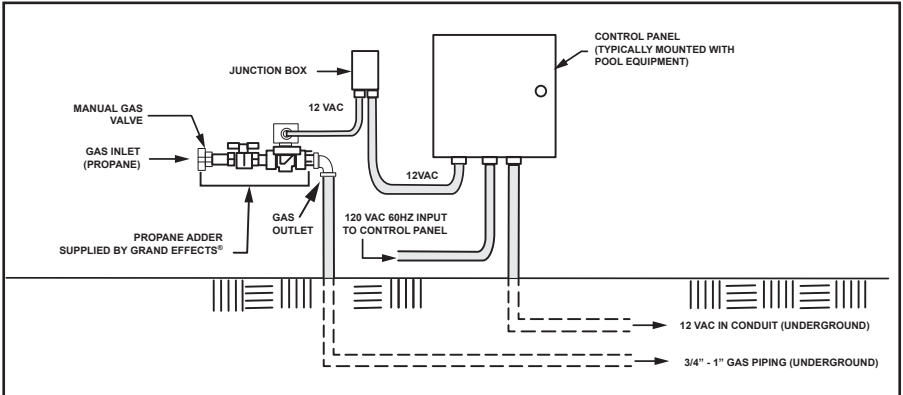


Figure 2. Propane Gas

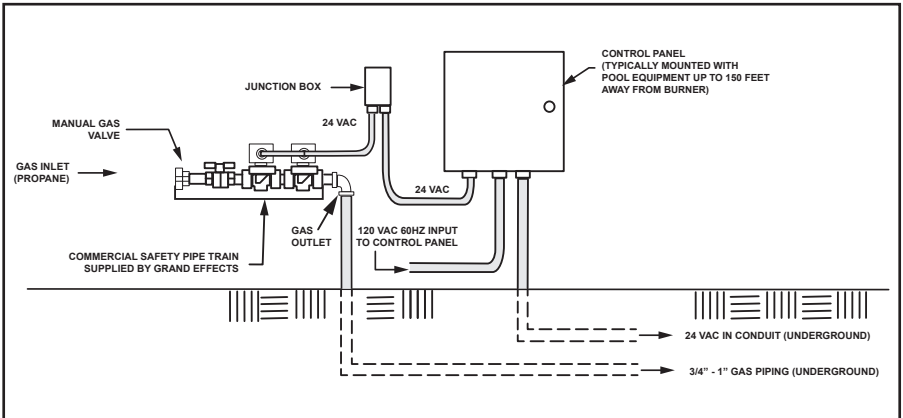


Figure 3. Commercial Installation

4. Build structure so that inside dimensions meet requirements as shown in Tables 1 and 2.
5. Do not use fire brick to line the inside of the Linear Fire Pit. Fire brick will retain heat and may result in overheating of the electronics.

NOTE: Providing good drainage is critical as shown in Figures 4 and 5.

6. For safety reasons, Propane Systems should not have conventional drainage, but drainage should occur through ventilation holes that are located on the sides of the structure.
7. Venting the air gap at the bottom, end walls and structure is required for safety measures and cooling the electrical components as shown in Figures 4 and Figure 5.

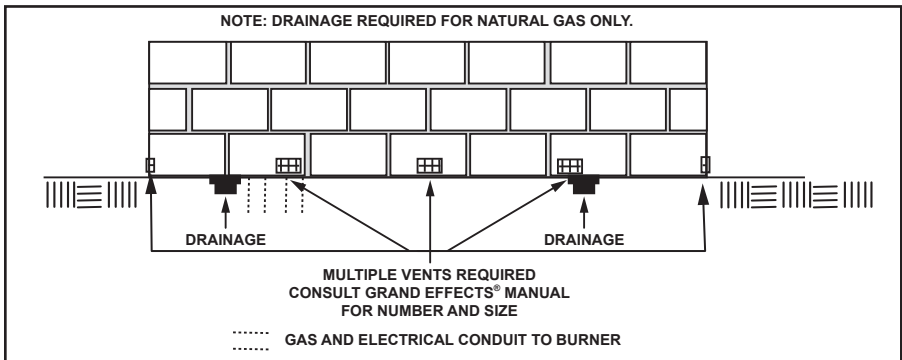


Figure 4. Inner Mount Venting - Side View

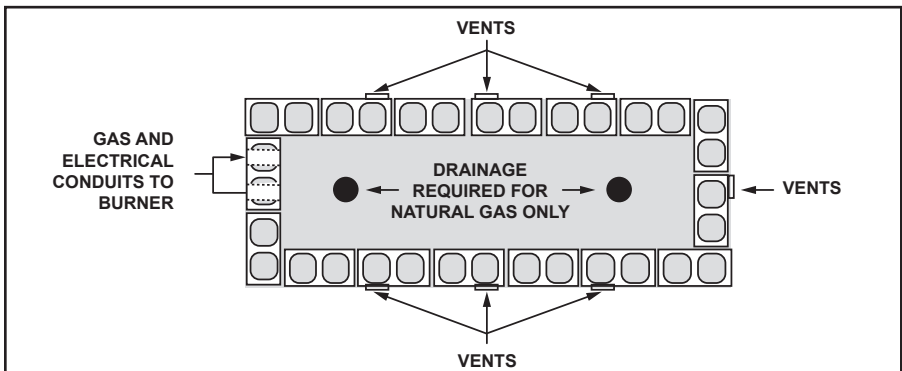


Figure 5. Outer Mount Venting - Top View

8. Maintain good piping practice by keeping pipe length and elbows to a minimum to eliminate unnecessary pressure drops. Corrugated flex gas lines should not be used.

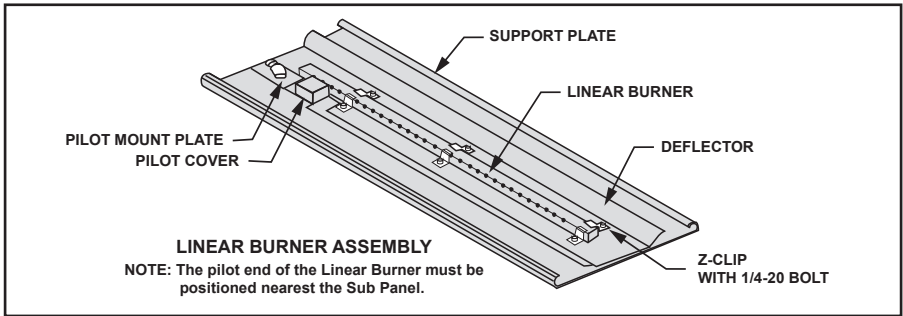


Figure 6. Linear Burner Assembly Components

9. Mount the Support Plate using the L Brackets provided. The Support Plate should be mounted so that top of Burner is 1/2"-1" below top of wall or cap as shown in Figures 12 and 19. The Support Plate should rest on top of the L Brackets.
10. If the inside trough dimensions (width x length) are larger than suggested dimensions. Then builder will need to support Burner Assembly with cross member supports. The extra gap around burners will need to be filled in with expanded or perforated stainless metal so that decorative media does not fall through as shown in Fig. 20.

⚠ CAUTION

In order to minimize risk of fire which could result in property damage or serious injury including death, do not use solid plate because it will not allow burner cavity to vent, which will cause overheating.

11. On commercial installations, it is recommended to install a keyed switch and kill switch located in close proximity and in visible sight of feature or features. The keyed and kill switches are supplied by others.
12. Inner Mount Subpanel should be mounted on vertical end wall that is closest to pilot. This will allow access for service.
13. Connect inlet and outlet gas hoses supplied by Grand Effects®, making sure all connections are tight. Keep hoses and wires away from underside of Support Plate. They must be kept away from the hot undersurface of the burner.
14. Connect ignitor and ground wires at pilot to Subpanel.

3.5 INSTALLING THE SUB-PANEL

Note: Inside Mount Sub-Panel should be mounted on vertical end wall closest to Pilot Assembly on Burner.

INSIDE MOUNT requires gas and electrical to be located inside and at end of trough. Ignitor and ground wires must not be encased in concrete or buried in dirt or enclosed in tight fitting conduit

OUTSIDE MOUNT requires the gas and electrical to be located outside and at end of trough.

Outer Mount Sub Panel must be installed within 4 ft of Pilot Assembly located at end of Burner Assembly. Grand Effects® pilot gas hose and electrical wires from Subpanel to pilot is 5 ft maximum.

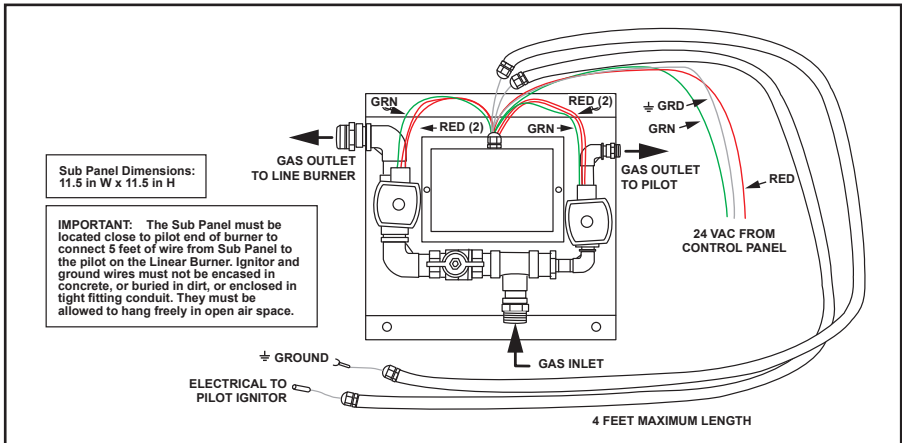


Figure 7. Grand Effect Sub-Panel

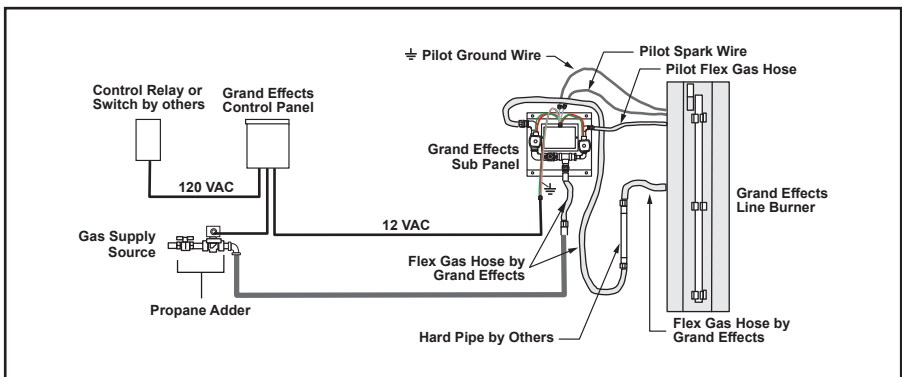


Figure 8. Component Overview for Linear Inserts 3'-5'

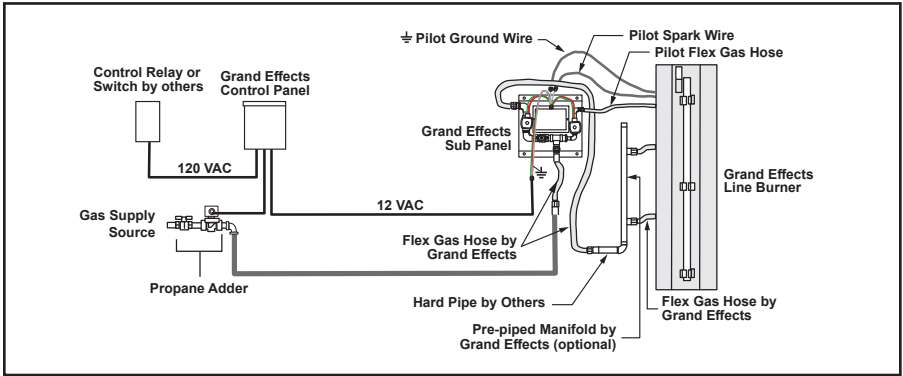


Figure 9. Component Overview for Linear Inserts 6'-10'

3.5.1 INSTALLATION OF SUB-PANEL (INNER MOUNT)

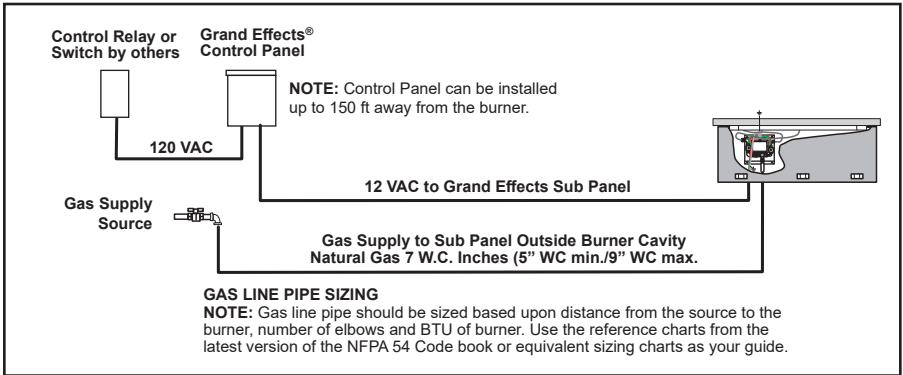


Figure 10. Piping and Electrical Diagram - Inner Mount - Natural Gas

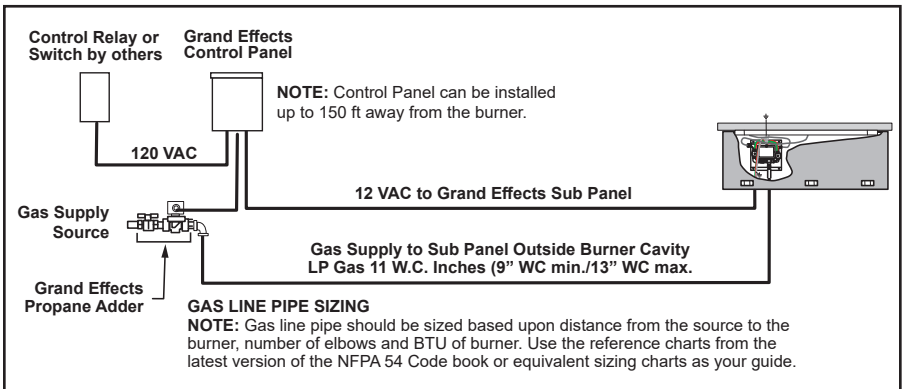


Figure 11. Piping and Electrical Diagram - Inner Mount - Propane Gas

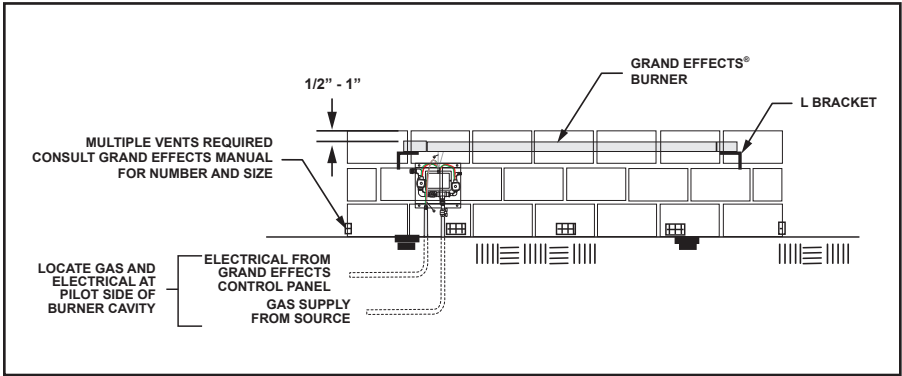


Figure 12. Burner Cavity - Inner Mount Side-view

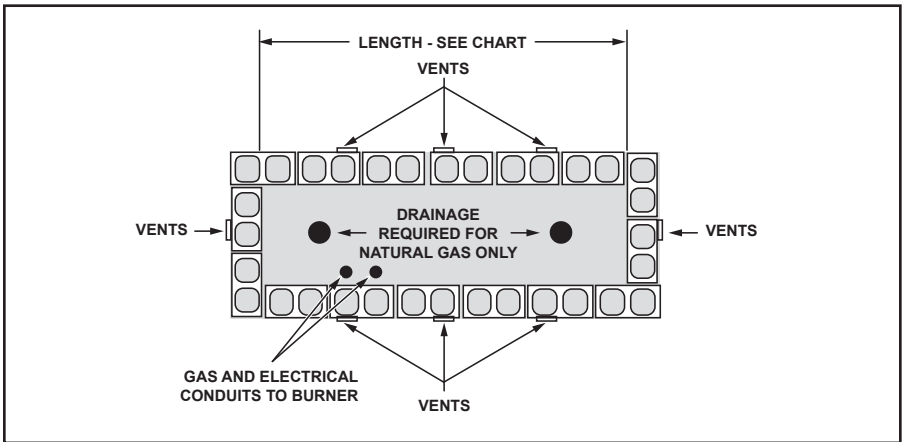


Figure 13. Burner Cavity - Inner Mount Top-view

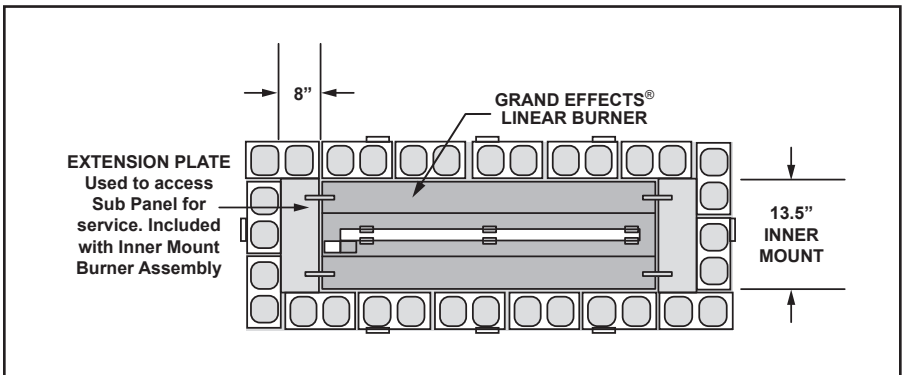


Figure 14. Burner Installed in Cavity - Inner Mount Top-view

3.5.2 INSTALLATION OF SUB-PANEL (OUTER MOUNT)

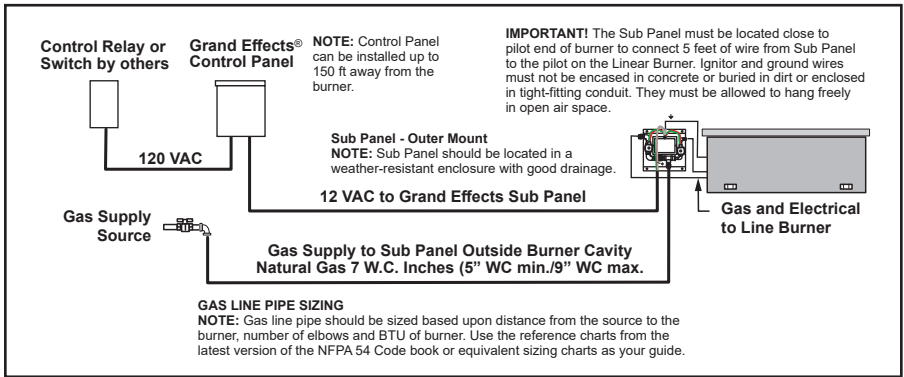


Figure 15. Piping and Electrical Diagram - Outer Mount - Natural Gas

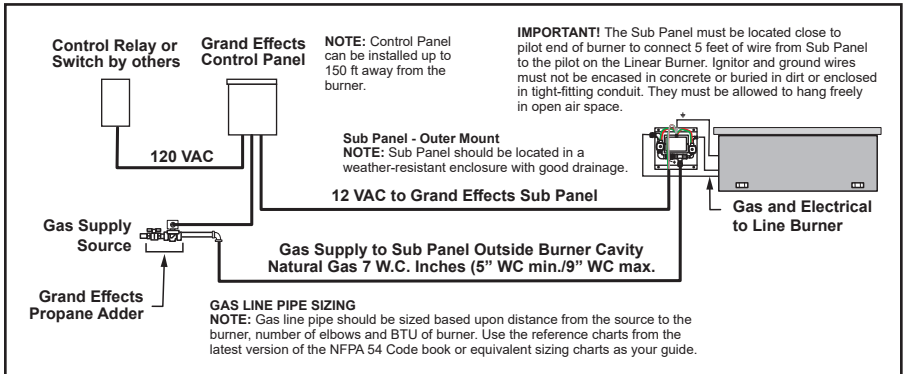


Figure 16. Piping and Electrical Diagram - Outer Mount - Propane Gas

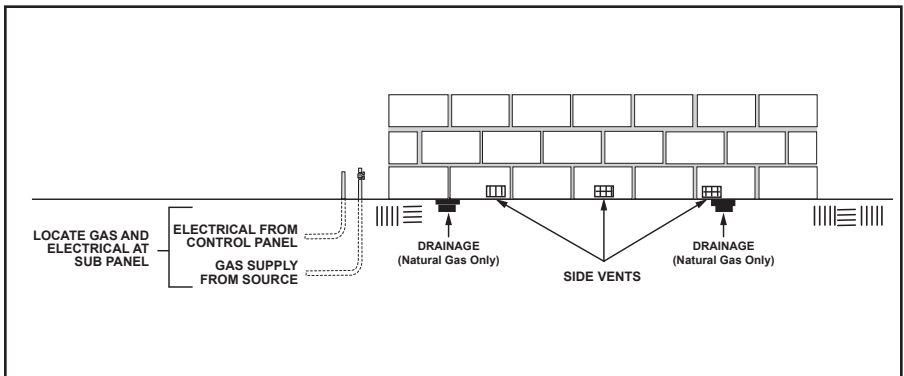


Figure 17. Burner Cavity - Outer Mount Side-view

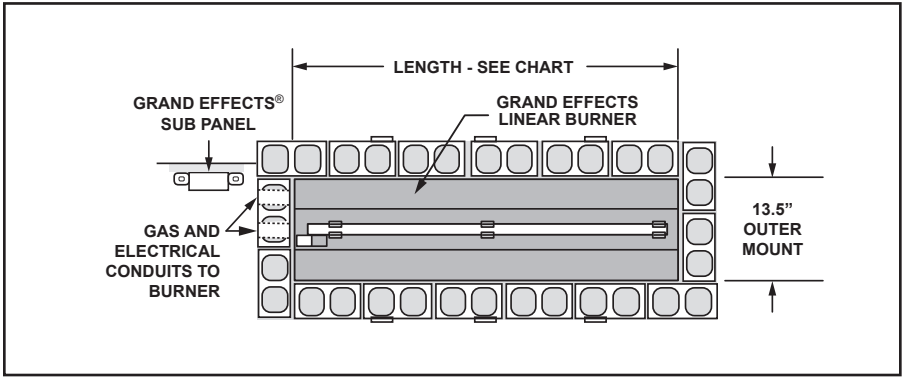


Figure 18. Burner Cavity - Outer Mount Top View

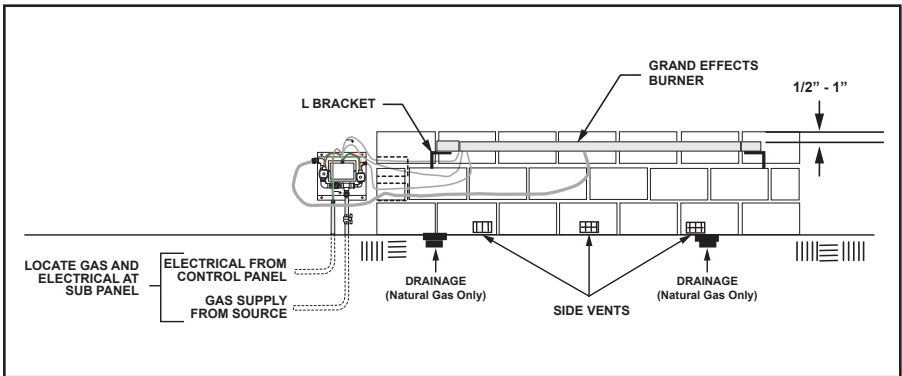


Figure 19. Burner Cavity - Outer Mount Side-view

3.5.3 INSTALLATION OF OVERSIZED BURNER CAVITY

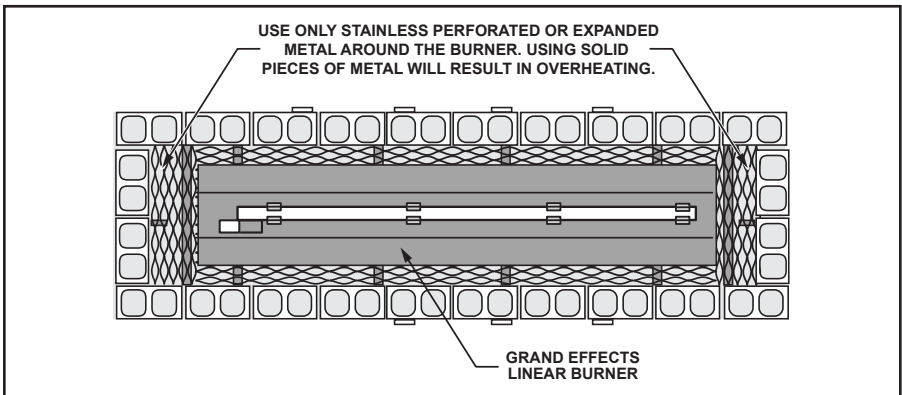


Figure 20. Over-sized Burner Cavity Installation

Section 4. Burner Setup and Adjustment

4.1 Burner Setup

1. At the control panel, turn the manual gas valve to the “Off” position.
2. With 120VAC coming into the Control Panel, turn the switch located in the panel to the “On” position.
3. At the burner assembly, check that the spark electrode is arcing across to the pilot hood. You should be able to hear and see the electrode spark. If there is no spark, make sure that the burner assembly is receiving 12VAC from the control panel.
4. Reposition the burner assembly so that it is sitting level in the pit.
5. At the control panel, open the upstream gas valve.
6. In the control panel, turn the burner switch to the “On” position.
7. After the burner assembly has been lit, it can now be adjusted for flame size by adjusting the ball valve or keyed valve.
8. Install decorative rock or glass on top of the “burner support” and burner assembly. Larger lava rock is recommended (2” - 4” in size). It will work better than smaller rock. Make sure that all rock is clear of the pilot area and hood area. Pilot hood area needs to remain clear of rock for proper ventilation.

NOTE: Do not use glass with propane installations. (If you use glass with natural gas, and you have more than a 1/4” gap between the inside wall and Support Plate, you will need to lay down pre-cut stainless mesh screen to prevent glass from falling through. If you use 1/4” pieces of lava rock, it should be treated as a glass installation.

NOTE: Both sides of the pilot hood need to be clear of rock for proper ventilation.

WARNING

Use only approved decorative media to cover the burner assembly. Lava and tumbled lava/ceramic stone and fire glass are all accepted media.

To avoid the risk of property damage and serious injury, including death, use caution when in the immediate area, as pieces may pop or explode when exposed to heat or when wet and exposed to heat.

IMPORTANT: Do not use fire glass with propane installations.

IMPORTANT: At this time, the burner assembly should light. If the burner does not light, it may be a result of air in the gas line. Purging the air from the gas line may be required. If this happens, carefully purge the air from the gas line by disconnecting the gas hose from the burner assembly. The end of the gas hose should be outside of the bowl when purging air from the gas line.

⚠ WARNING

To avoid the risk of property damage and serious injury, including death, when purging air from a propane system, be sure to disconnect wires going to the burner assemblies (terminals X1/X2) located in Grand Effects® control panel. There should be no power at the burner assemblies when purging propane. The propane adder valve should remain wired and energized when purging. After purging is complete, make sure the area is vented and free from built-up gas.

Reinstall wires at X1/X2 terminals, thus providing power to burner assemblies.

4.2 Burner Adjustment

Note: The burner should have a flame height of approximately 12" – 15" from the top of the bowl. If the burner is adjusted too low, it will create an unstable pilot, resulting in possible On/Off cycling.

1. The height of the flame can be adjusted at each burner by opening or closing the ½" gas valve or keyed valve as shown in Figure 4.

The burner should be adjusted as required so that the flame size at the bowl is similar in appearance.

2. After the burner has been adjusted, make sure that the burner assembly is repositioned so that it is sitting level in the pit.

Section 5. Maintenance

Periodically clean the burner assembly and pit with a wet cloth or cleaning solution to remove carbon build-up.

Frequency of the cleaning will depend on usage.

Periodically inspect the underside of the burner assembly for any signs of excessive temperatures.

Check that all gas connections are tight.

The units should be cycled frequently, especially after a rain. The burner assembly will not work in snow and ice conditions. The burner assembly should be covered and protected from snow and ice. The burner should not be operated in high wind conditions. High winds can limit the cooling air required for cooling of the burner assembly and cause over heating of the electronics.

Important: Gas must be securely shut off when not in use.

Note: If any problems are present, consult a licensed heating specialist or call Grand Effects®.

Section 6. Operation

⚠ WARNING! This unit is for outdoor use only. For your safety:

- If you smell gas, shut off the gas valve immediately.
- Extinguish any open flame.
- If odor continues, immediately call your gas supplier.
- Do not store or use gasoline or other flammable vapors and/or liquids in the vicinity of this appliance.
- Do not leave flame on while unsupervised.
- Do not operate in windy or rainy conditions. If this is done, the unit will cycle on and off automatically.
- Unit should be operated only by a responsible adult.
- When in use, an open flame is present; therefore, use with extreme care and at your own risk.
- Before any inspection of the unit, always turn off power and gas supply at the control panel.
- If you experience problems with this unit, call Grand Effects® or a licensed heating professional. All work on this unit must be performed by a licensed heating professional.

⚠ WARNING

To avoid the risk of property damage and serious injury, including death, before you turn on the Grand Effects System, make sure that features are clear of people, animals, or any objects that are combustible.

6.1 Operating Instructions

To turn unit “On”:

1. Energize power to Grand Effects Transformer.

To turn unit “Off”:

1. De-energize power to Grand Effects Transformer.

Note: If burner fails to light, turn corresponding burner switch in the control panel to the “Off” position, and then to the “On” position. This will initiate a new trial for ignition.

Section 7. Troubleshooting

WARNING

To avoid the risk of property damage and serious injury, including death, call Grand Effects® or a licensed heating professional if you experience problems with this unit. All work on this unit must be performed by a licensed heating professional.

WARNING

Model 100 Burner Assembly

In order to avoid the risk of property damage, serious injury, including death, turn OFF power and gas at the control panel prior to initiating troubleshooting steps. Turn power and gas ON once troubleshooting is complete. Some steps may require power and gas to be temporarily ON for verification, but turned OFF for repair (**see bolded step**).

Symptom	Corrective Action
Main burner does not light (no spark)	<ol style="list-style-type: none"> 1. Remove rock/glass away from pilot area. (Look for small pieces obstructing pilot.) 2. If still no spark, confirm that you have 12VAC out of the panel and at the burner. 3. If you have voltage going out to the burner, but no spark, replace the ignition module. 4. If you have no voltage out of the panel, replace the transformer.
Spark (but no pilot)	<ol style="list-style-type: none"> 1. Remove rock/glass away from pilot area. 2. Confirm if gas is coming out of the pilot; you can hear it. (Use a BBQ lighter to determine if gas is coming out of the pilot.) 3. If no pilot gas, check that gas is turned on. 4. Pilot orifice may be plugged. Replace pilot assembly. 5. If still no gas, pilot valve may not be opening. Turn gas off and confirm if pilot solenoid is energizing. 6. If not energizing, replace the ignition module. If it is energizing, but the valve is not opening or is dirty, replace the gas manifold.

⚠ WARNING

Model 100 Burner Assembly

In order to avoid the risk of property damage, serious injury, including death, turn OFF power and gas at the control panel prior to initiating troubleshooting steps. Turn power and gas ON once troubleshooting is complete. Some steps may require power and gas to be temporarily ON for verification, but turned OFF for repair (**see bolded step**).

Symptom	Corrective Action
Burner goes On/Off	<ol style="list-style-type: none"> 1. Is it going off because of wind? If so, how windy? Slight breeze or gusty? (If wind, rotate burner assembly in bowl so wind is not blowing across pilot.) 2. If using glass, make sure an open pilot hood is used. Remove rock/glass away from pilot area. Does it get better? How much glass? Thin down glass on burner assembly. 3. Remove all rock/glass from the burner assembly. (Does the problem go away?) 4. If gas pressure is too low or main burner is adjusted too low, the pilot will be too small and unstable.) 5. If burner shuts off after a 30-minute period and then goes off and doesn't come back on, replace the ignition module.
Pilot comes on but no main burner	<ol style="list-style-type: none"> 1. If possible, confirm that main gas solenoid is energizing. If not possible, replace the ignition module. 2. Main burner solenoid may have to be replaced if buzzing. Look for signs of overheating.
Main burner or pilot does not shut off	<ol style="list-style-type: none"> 1. If the valve is not opening or is dirty, replace the gas manifold.

Section 8. Wiring Diagram

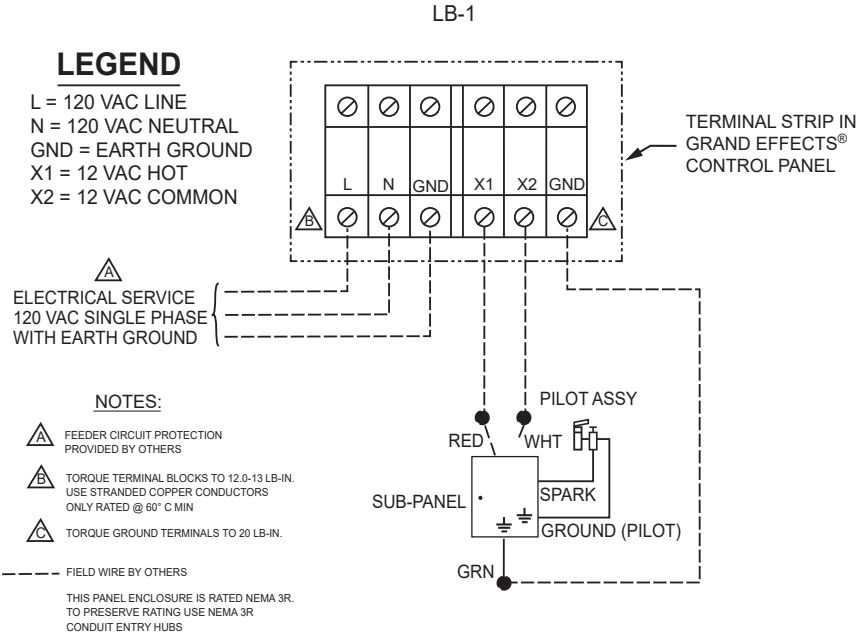


Figure 21. Linear Burner Wiring Diagram

NOTES

NOTES

Grand Effects

23121 Arroyo Vista, Suite B, Rancho Santa Margarita, CA 92688
1.949.697.5270 | www.GrandEffects.com

Zodiac Pool Systems LLC

2882 Whiptail Loop #100, Carlsbad, CA 92010
1.800.822.7933 | www.ZodiacPoolSystems.com

©2020 Zodiac Pool Systems LLC. All rights reserved.
ZODIAC® is a registered trademark of Zodiac International,
S.A.S.U., used under license. All other trademarks are the
property of their respective owners.

H0660700 REV A

