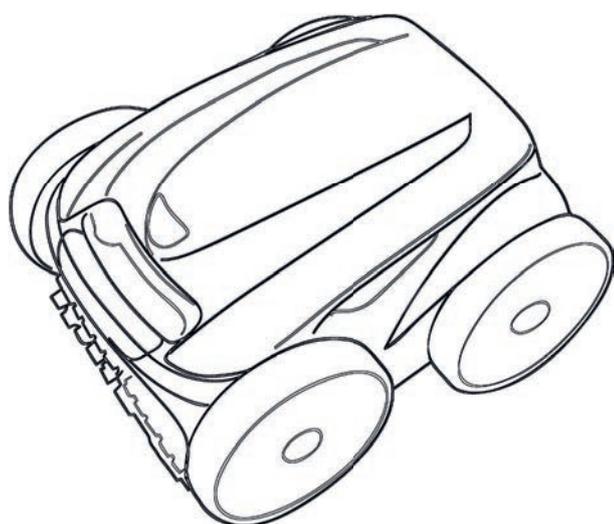


Vortex™ iQ

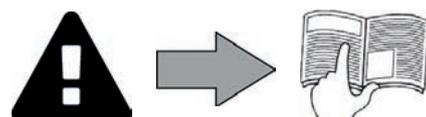
Instructions for installation and use - English
Electric pool cleaner
Translation of the original instructions in French

EN

iAquaLink™
CONTROL



More documents on:
www.zodiac.com



WARNINGS

GENERAL WARNINGS

- Failure to respect the warnings may cause serious damage to the pool equipment or cause serious injury, even death.
- Only a person qualified in the technical fields concerned (electricity, hydraulics or refrigeration) is authorised to carry out maintenance or repair work on the appliance. The qualified technician working on the appliance must use/wear personal protective equipment (such as safety goggles and protective gloves, etc.) in order to reduce the risk of injury occurring when working on the appliance.
- Before handling the appliance, check that it is switched off and isolated.
- The appliance is intended to be used with pools for a specific purpose; it must not be used for any purpose other than that for which it was designed.
- Children should be supervised to make sure they do not play with the appliance.
- This appliance is not intended for use by persons (including children) whose physical, sensory or mental abilities are impaired, or by persons lacking experience or knowledge, unless they have previously been able to receive supervision or instruction in use of the appliance by a person responsible for their safety.
- The appliance must be installed according to the manufacturer's instructions and in compliance with local and national standards. The installer is responsible for installing the appliance and for compliance with national installation regulations. Under no circumstances may the manufacturer be held liable in the event of failure to comply with applicable local installation standards.
- For any work other than the simple user maintenance described in this manual, the product should be referred to a qualified professional.
- Incorrect installation and/or use may cause serious damage to property or serious injuries (possibly causing death).
- All equipment, even postage and packing paid, travels at the risks and perils of the recipient. The latter shall issue reserves in writing on the carrier's delivery slip if damage is detected, caused during transport (confirmation to be sent to the carrier within 48 hours by registered letter).
- If the appliance suffers a malfunction, do not try to repair it yourself; instead contact a qualified technician.
- Refer to the warranty conditions for details of the permitted water balance values for operating the appliance.
- Deactivating, eliminating or by-passing any of the safety mechanisms integrated into the appliance shall automatically void the warranty, in addition to the use of spare parts manufactured by unauthorised third-party manufacturers.
- Do not spray insecticide or any other chemical (flammable or non-flammable) in the direction of the appliance, as this may damage the body and cause a fire.
- Do not touch the fan or moving parts and do not place objects or your fingers in the vicinity of the moving parts when the appliance is in operation. Moving parts can cause serious injury or even death.

WARNINGS ASSOCIATED WITH ELECTRICAL APPLIANCES

- The power supply to the appliance must be protected by a dedicated 30 mA residual current device, complying with the standards and regulations in force in the country in which it is installed.
- Do not use any extension lead when connecting the appliance; connect the appliance directly to a suitable power supply.
- Before carrying out any operations, check that:
 - The input voltage required indicated on the appliance information plate corresponds to the mains power supply voltage;
 - The mains power supply is compatible with the electricity requirements of the appliance and is correctly grounded;
 - The plug (where applicable) is suitable for the socket.
- In the event of abnormal operation or the release of odours from the appliance, turn it off immediately, unplug it from its power supply and contact a professional.
- Before servicing or performing maintenance on the appliance, check that it is powered off and completely disconnected from the power supply.
- Do not disconnect and reconnect the appliance to the power supply when in operation.
- Do not pull on the power cord to disconnect it from the power supply.
- If the power cord is damaged, it must only be replaced by the manufacturer, an authorised representative or a repair shop.
- Do not perform maintenance or servicing operations on the appliance with wet hands or if the appliance is wet.
- Before connecting the appliance to the power supply, check that the connection unit or socket to which the appliance will be connected is in good condition and shows no signs of damage or rust.
- For any component or sub-assembly containing a battery: do not recharge or dismantle the battery, or throw it into a fire. Do not expose it to high temperatures or direct sunlight.
- In stormy weather, disconnect the appliance from the power supply to prevent it from suffering lightning damage.
- Do not immerse the appliance in water (with the exception of cleaners) or mud.

SPECIFIC FEATURES APPLICABLE TO "Pool cleaners"

- The cleaner is designed to operate correctly in pool water at a temperature of between 15°C and 35°C.
- To avoid possible injury or damage to the cleaner, do not operate the cleaner out of the water.
- In order to prevent possible injury, bathing is prohibited when your cleaner is in the pool.
- Do not use the cleaner during shock chlorination.
- Do not leave the cleaner unattended for an extended period.

WARNING ON THE USE OF A CLEANER IN A POOL WITH A VINYL SURFACE:

- Before installing your new cleaner, carefully inspect the lining of your pool. If the liner has eroded in some areas, or if you notice gravel, folds, roots or corrosion caused by metal beneath the liner, or if you notice that the surface (bottom and walls) is damaged, do not install the cleaner before performing the necessary repairs or before having the liner replaced by a qualified professional. The manufacturer may not be held liable in any way for damage caused to the liner.
- The surface of certain vinyl patterned surfaces can wear rapidly and the patterns disappear on contact from objects such as cleaning brushes, toys, inflatable buoys, chlorine distributors and automatic pool cleaners. The decoration on some vinyl surfaces can be scratched or worn by basic friction such as through the use of a pool brush. The colours of certain patterns can also be erased during use or when in contact with objects in the pool. The manufacturer of the pool cleaner may not be held liable for the erased patterns, wear or scratching of vinyl surfaces, which are not covered by the limited warranty.

Recycling



This symbol means that your appliance must not be thrown into a normal bin. It will be selectively collected for the purpose of reuse, recycling or transformation. If it contains any substances that may be harmful to the environment, these will be eliminated or neutralised.

Contact your retailer for recycling information.



- Before handling the appliance, it is vital that you read this installation and user manual, as well as the "warnings and warranty" booklet delivered with the appliance. Failure to do so may result in material damage or serious or fatal injury and will void the warranty.
- Keep and pass on these documents for reference during the appliance's service life.
- The distribution or modification of this document in any way is prohibited, without prior authorisation from Zodiac®.
- Zodiac® is constantly developing its products to improve their quality. The information contained herein may therefore be modified without notice.

CONTENTS

EN



1 Specifications 3

- 1.1 | Description 3
- 1.2 | Technical specifications and parts list 4



2 Installation 5

- 2.1 | Set-up 5
- 2.2 | Assembling the caddy 6



3 General use 7

- 3.1 | Operating principle 7
- 3.2 | Pool preparation 7
- 3.3 | Immersing the cleaner 7
- 3.4 | Electricity supply connection 8
- 3.5 | The control box 9
- 3.6 | Starting and stopping a cleaning cycle 10



4 Control using the iAquaLink™ app 12

- 4.1 | Connecting to the iAquaLink™ app 12
- 4.2 | First-time cleaner configuration 12
- 4.3 | iAquaLink™ remote control 13



5 Maintenance 17

- 5.1 | Cleaning the cleaner 17
- 5.2 | Cleaning the filter 17
- 5.3 | Cleaning the propeller 18
- 5.4 | Replacing the brushes 19
- 5.5 | Changing the tyres 20



6 Troubleshooting 21

- 6.1 | Appliance behaviour 21
- 6.2 | Error codes 22
- 6.3 | Troubleshooting the connection to the iAquaLink™ app 23



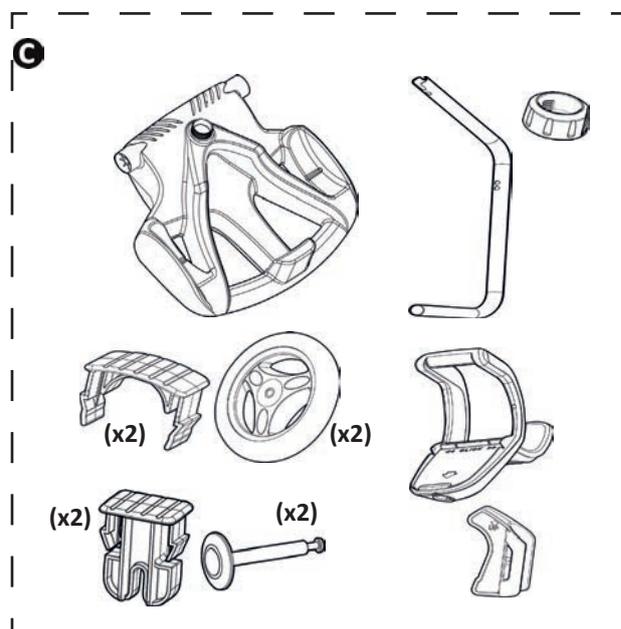
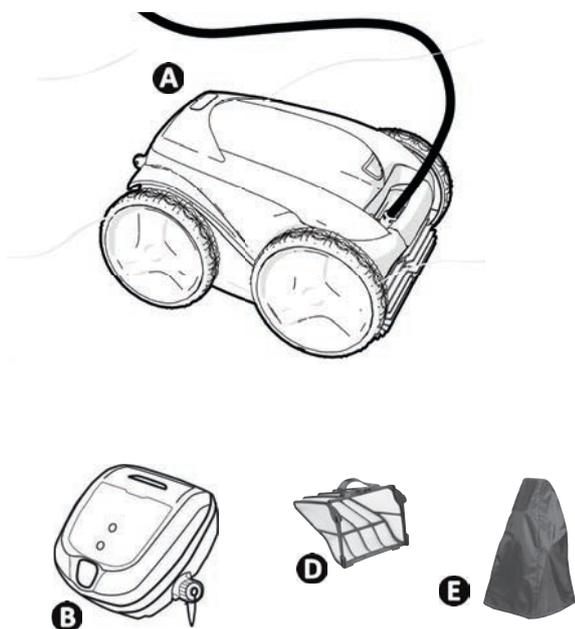
Tip: to make it easier to contact your retailer

Write down your retailer's contact details to help you find them more easily and fill in the "product" information on the back of the manual; your retailer will ask you for this information.



1 Specifications

1.1 | Description



A	Cleaner + floating cable	✓
	Front/rear driving wheels (4WD)	✓
B	Control box	✓
C	Caddy kit	✓
D	100µ fine debris filter	✓
	200µ large debris filter	+
	60µ very fine debris filter	+
E	Protective cover	+

✓: Included

+: Optional extra

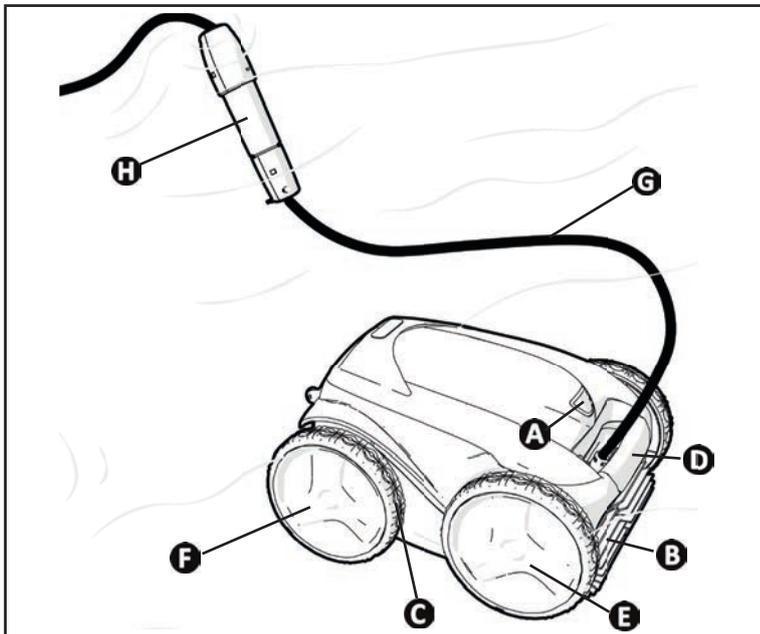
1.2 I Technical specifications and parts list

1.2.1 Technical specifications

Control box power supply 	220 - 240 VAC, 50Hz, short circuit-resistant safety separator*
Cleaner power supply	30 VDC
Maximum power input	150 W
Cable length	18 m
Cleaner size (L x W x h)	43 x 48 x 27 cm
Package size (L x W x H)	56 x 56 x 46 cm
Cleaner weight (without cable)	10.2 kg
Packaged weight	19 kg
Theoretical cleaning width	270 mm
Pump flow	16 m ³ /h
Frequency bands	2.400GHz - 2.497GHz
Radiofrequency emission power	+19.5 dBm

* This cleaner uses a double-insulated design. An appliance using such a design has been devised such that no grounding is necessary between the appliance and its power supply. This type of design attenuates the user's exposure to potentially hazardous electrical conditions without resorting to a grounded (earthed) metal casing. It involves using two layers of insulating material surrounding the live electric parts or use of reinforced insulation. By using this type of double-insulation design, this cleaner does not need grounding (three pins) or a cord/plug.

1.2.2 Marking

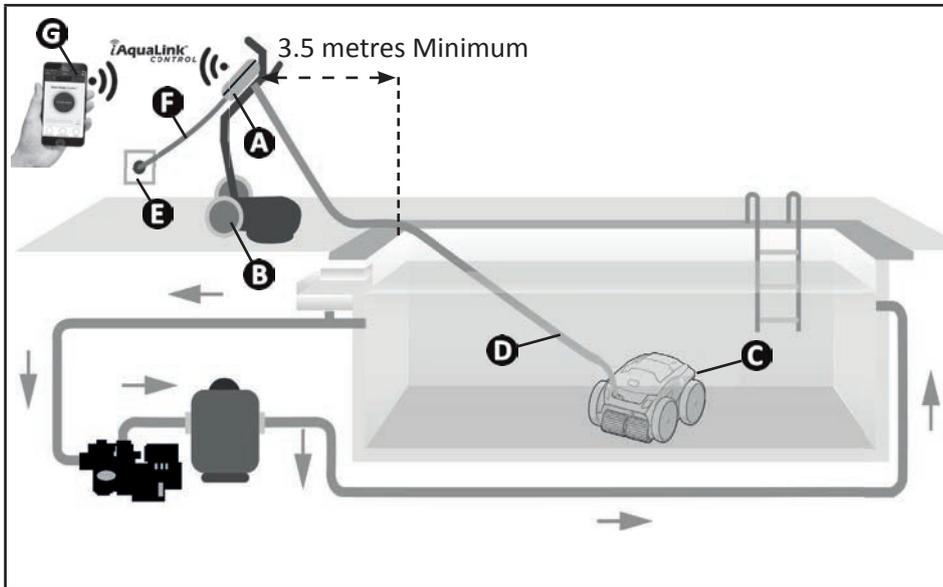


- A**: Filter access hatch lock
- B**: Brushes
- C**: Tyres
- D**: Transport and remove-from-pool handle
- E**: Front driving wheels
- F**: Rear driving wheels
- G**: Floating cable
- H**: Swivel



2 Installation

2.1 | Set-up

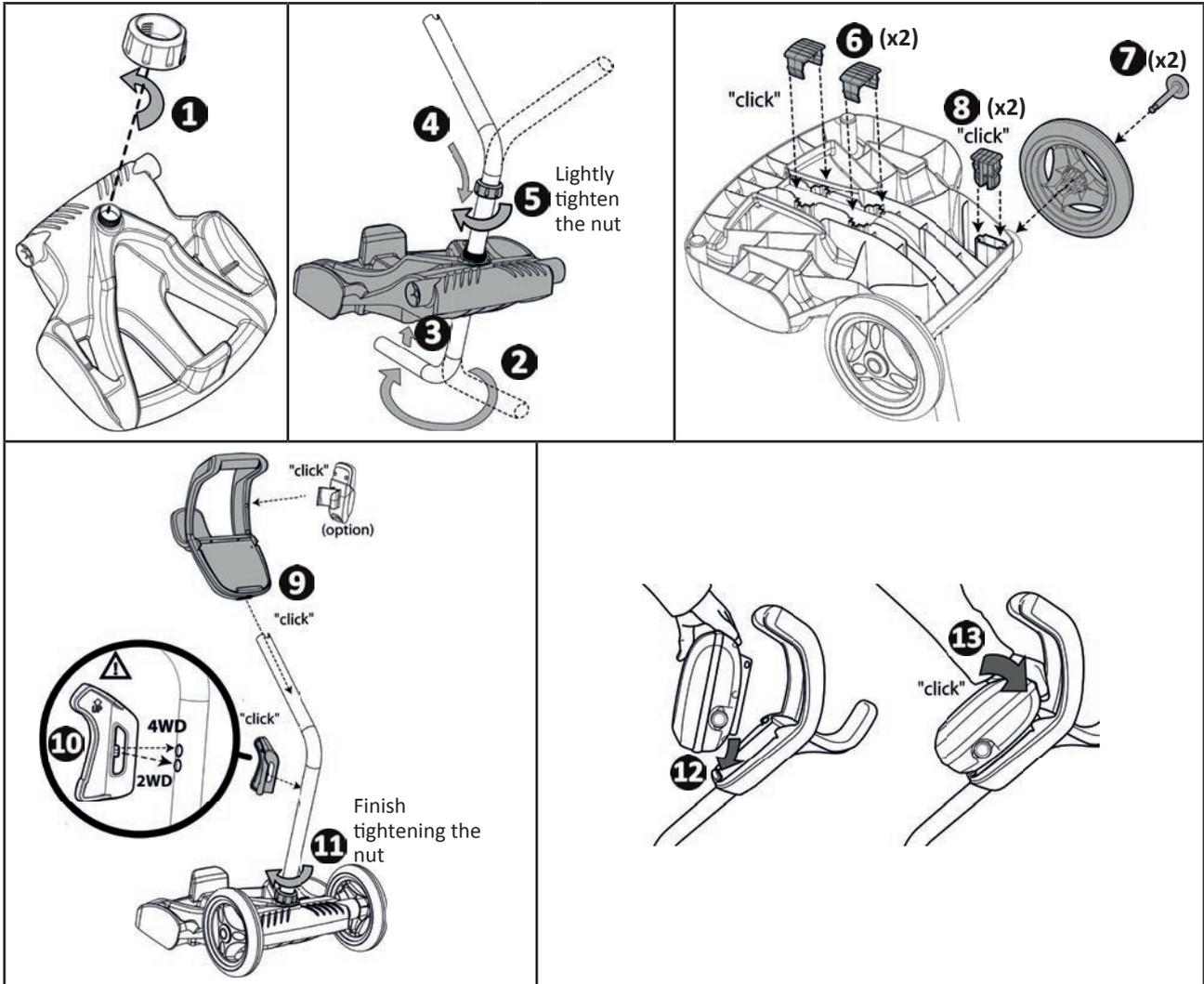


- A**: Control box
- B**: Caddy
- C**: Cleaner
- D**: Floating cable
- E**: Plug
- F**: Power cord
- G**: "iAquaLink™" remote control

2.2 | Assembling the caddy



• Tool-free assembly



EN



3 General use

3.1 | Operating principle

The cleaner is separate from the filtration system and can function independently. It simply needs connecting to the mains.

It finds the best route to move around and clean the areas of the pool for which it has been designed (depending on the model: floor, walls, water line). Debris is sucked in and stored in the cleaner's filter.

The cleaner can be used according to either of the methods below:

- via a smartphone or a tablet compatible with the iAquaLink™ application (see "4 Control using the iAquaLink™ app").

3.2 | Pool preparation



- This product is intended to be used in pools which are permanently installed. Do not use it in pools which may be dismantled. A permanent pool is built into the ground or on the ground and cannot be easily dismantled and stored.

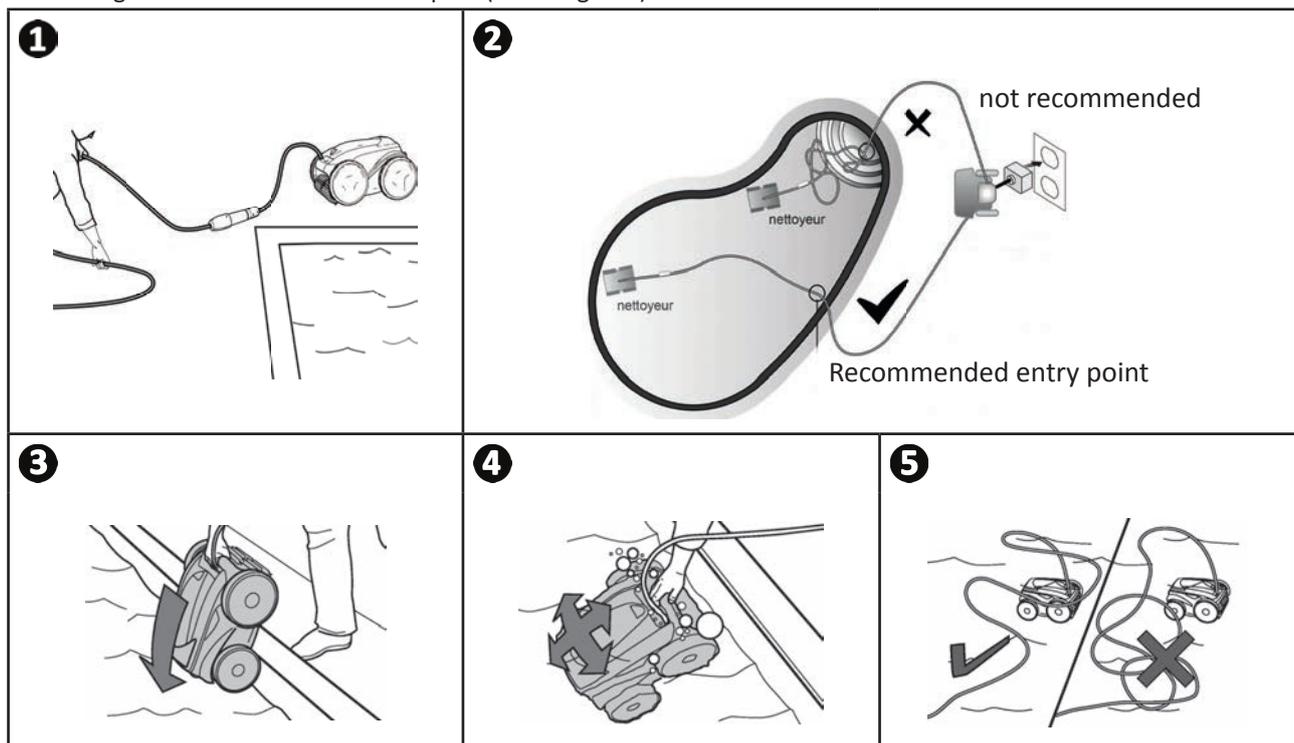
- The appliance must operate in pool water with the following properties:

Water temperature	Between 15°C and 35°C
pH	Between 6.8 and 7.6
Free chlorine	< 3 mg/l

- When the pool is dirty, especially when commissioning, remove the largest debris using a net in order to optimise the appliance's performances.
- Remove any thermometers, toys and other objects that might damage the appliance.

3.3 | Immersing the cleaner

- Roll out the full length of the cable alongside the pool to avoid the cable becoming tangled during immersion (see image 1).
- Position yourself halfway along the length of the pool before immersing the cleaner (see image 2). This will optimise the cleaner's movements and reduce tangling in the cable.
- Place the cleaner vertically into the water (see image 3).
- Move it slightly in all directions so that the air contained in the cleaner escapes (see image 4).
- It is essential that the appliance sinks on its own and settles on the pool floor. While it is immersed, the cleaner draws the length of cable it needs into the pool (see image 5).



▶ 3.4 I Electricity supply connection

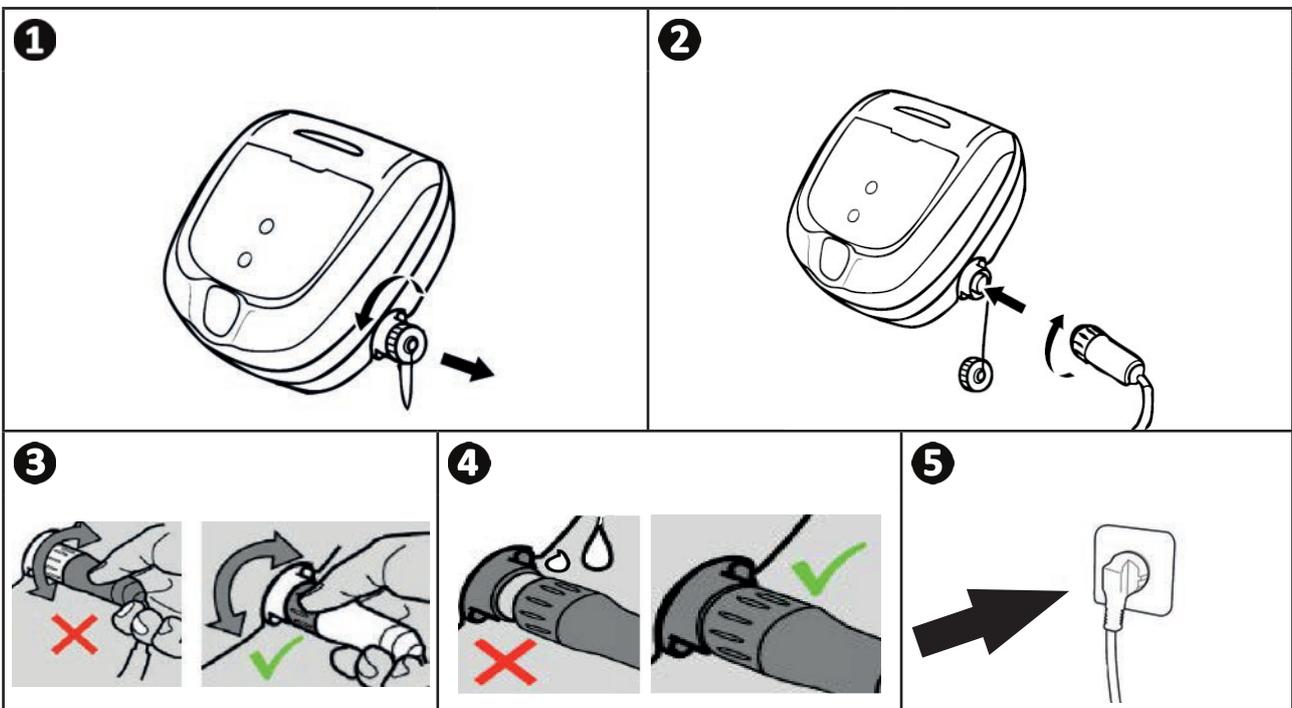
In order to avoid any risk of electrocution, fire or serious injury, please follow the instructions below:



- Use of an electrical extension is prohibited when connecting the control box.
- Make sure that the socket can be easily accessed at all times and is protected from rain or splashes.
- The control box is splash-proof, but must not be immersed in the water or any other liquid. It must not be installed in a floodable area; keep it at least 3.5 metres away from the edge of the pool and avoid exposing it to direct sunlight.
- Place the control box near the socket.

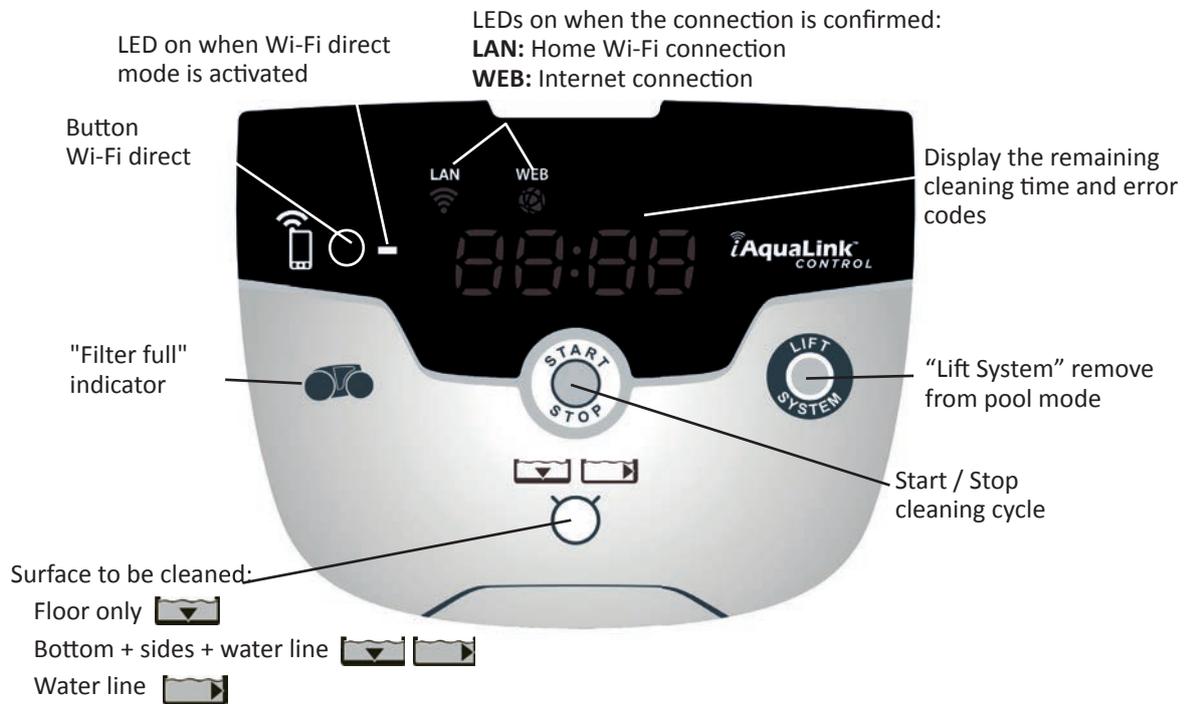
EN

- Unscrew the protective cap (see image ①).
- Connect the floating cable to the control box and lock it in place by turning the ring only in the clockwise direction (to prevent damage to the floating cable) (see image ②, ③).
- Make sure that the connector is fully pushed in so that no water can get in (see image ④).
- Connect the power cord (see image ⑤). Only connect the control box to a power outlet protected by a 30 mA maximum residual current device (if in doubt contact a qualified technician).



3.5 | The control box

The control box allows the main functions to be used and the cleaner to be connected to the home Wi-Fi network, see “4 Control using the iAquaLink™ app”.



▶ 3.6 I Starting and stopping a cleaning cycle

In order to avoid any risk of injury or material damage, please follow the instructions below:



- Bathing is prohibited when the appliance is in the pool.
- Do not use the appliance during a shock chlorination. Wait until the chlorine level has reached the recommended value before immersing the cleaner.
- Do not leave the appliance unattended for an extended period.
- Do not use the appliance if the roller shutter is closed.

- When the control box is powered up, the following symbols light up to indicate:
 - The action in progress
 - The cleaning mode selected
 - Maintenance required
- The control box switches to standby after 10 minutes and the screen is switched off. Press any key to exit standby mode. Standby mode does not stop the appliance if it is in a cleaning cycle.

EN

3.6.1 Choice of cleaning mode

- By default, a cleaning mode "**Floor + walls + water line**" is pre-configured, the symbols are illuminated and the cleaning time is displayed on the screen.
- The cleaning cycle can be modified before the appliance starts or while it is operating. The new mode will be started immediately and the remaining time from the previous cycle will be reset.

Floor only:

Floor + walls + water line:

Water line only:

- Press

The cleaner adapts its movement strategy to the cleaning mode, in order to optimise its level of coverage.



Tip to improve cleaning performance

At the start of the bathing season, launch several cleaning cycles in bottom only mode (after removing the large debris with a net). Regular use of the cleaner (without exceeding 3 cycles per week) means that your pool will always be clean and the filter less clogged.

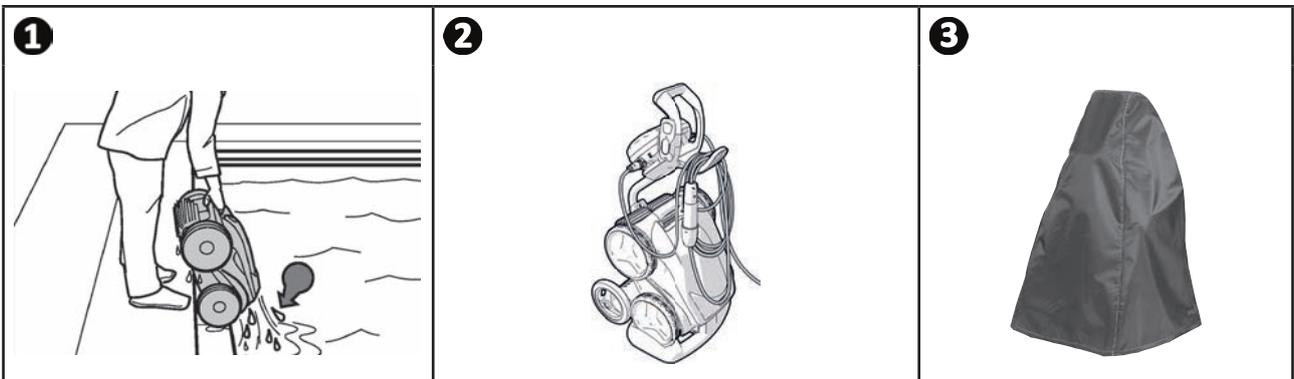
3.6.2 Stopping a cleaning cycle



- To avoid damaging the equipment:

- Do not pull on the cable to remove the appliance from the pool. Use the handle.
- Do not leave the appliance to dry out in sunlight after use.
- Store all the elements away from sunlight, humidity and bad weather.
- Screw the protective cap back on if you unplug the control box power cord.

- Switch off the appliance by pressing .
- When the cleaner is within arm's reach, pick it up by the handle and lift it gently out of the pool so that the water it contains drains into the pool (see image **1**).
- Place the cleaner vertically in the location provided on the caddy (depending on the model) for it to dry out quickly (see image **2**).
- Then store it with the control box away from sunlight and any splashes. A protective cover is available as an option (see image **3**).



3.6.3 "Remove from pool" mode



This function enables the cleaner to return to an exact point at the edge of the pool. When it climbs the wall, the cleaner sprays a jet of water behind it to make it lighter as it exits the pool.

- Direct the cleaner towards the required pool wall, then make it climb to the water line: hold  down to rotate it. The cleaner moves towards the wall when you release the button.



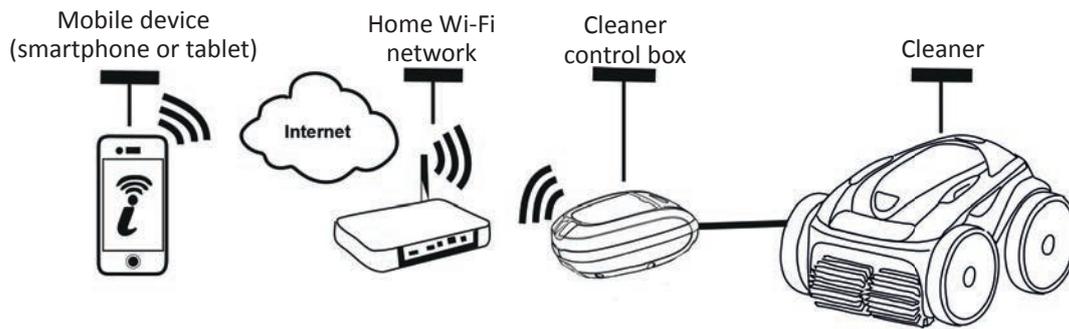
Tip to prevent the floating cable from becoming tangled

The appliance's behaviour is strongly impacted by the tangling of the cable. A cable that is correctly untangled will guarantee better coverage of the pool.

- Untangle the cable and lay it out in the sun so that it returns to its original shape.
- Then roll it up carefully and place it on the caddy handle.



4 Control using the iAquaLink™ app



EN

The iAquaLink™ app is available for iOS and Android systems. With the iAquaLink™ app, you can control the cleaner from any location at any time and have the benefit of advanced functions such as additional programming and troubleshooting assistance.

Before you install the app, you must:



- Connect the control box to a power outlet,
- Use a Wi-Fi-enabled smartphone or tablet,
- Use a smartphone or tablet equipped with an iOS 8 system or higher, or Android 4.1 or higher.
- Use a Wi-Fi network with a reasonably strong signal when connecting to the cleaner's control box.
- Have your home Wi-Fi network password at the ready.

4.1 | Connecting to the iAquaLink™ app

- Download the iAquaLink™ app from the App Store or Google Play Store.
- Once installation is complete, click on the iAquaLink™ icon to open the app.
- Click on **Sign Up** to create a new iAquaLink™ account, or on **Connect** if you already have an account.

Enter the required information to set up the account and accept the Terms and Conditions.

4.2 | First-time cleaner configuration

- Add the cleaner by clicking on "+" in the "My appliances" screen.
- Select "Add cleaner".
- Select "Wi-Fi Direct" to start set-up or "Invitation code" if another user has sent you an invitation code, then follow the instructions displayed in the app.
- Press the "Wi-Fi Direct"  button on the control box. *The LED lights up to indicate that the smartphone can now connect to the control box.*



- The LED of the "Wi-Fi Direct"  button switches off automatically after 3 minutes.
- Press the "Wi-Fi Direct"  button on the control box once more to activate the signal.

- Continue set-up, following the instructions on your smartphone or tablet.
- Go to your phone or tablet's Wi-Fi settings, then select "RoboticCleaner-****".
(* is a unique code for the cleaner you are connecting to).
- Then return to the iAquaLink™ app and click on "Steps 1,2,3 complete".
- Once the control box and the mobile device are communicating, select **the time zone**.
- The select **pool shape**.
- Click on **Next** to find the **home Wi-Fi network** to which the control box will connect.
- When the Wi-Fi networks are displayed, select the required **home Wi-Fi network**.
- Enter the Wi-Fi password and connect; the **Wi-Fi Direct**  button's LED on the control box goes out.
- If the app remains frozen on the connection in progress page, you can speed up the connection process by manually disconnecting from the "RoboticCleaner-****".
- Connection is complete when the LAN and WEB LEDs on the control box light up.
- Once the connection is complete, the "Add to My Appliances" page is displayed on your mobile device. Click on **Add** to finish pairing.



- It can take several minutes to connect.
- If an error message appears or the connection still isn't made, refer to the table "6.3 | Troubleshooting the connection to the iAquaLink™ app".

- It is possible to customise the cleaner's name, so that it can be found easily in the "My appliances" page if there are several appliances connected to the iAquaLink™ app.



- Once configured, the cleaner is displayed in "My Appliances" when next connecting to the iAquaLink™ application.

- Click on "Next" to identify yourself as the **primary user** of the cleaner, or click on "Pass".
- The primary user has access to all the cleaner's functions in the iAquaLink™ app.
- The primary user can invite other users (family members, service company, etc.) and give them access so that they can remotely control the cleaner.

4.3 | iAquaLink™ remote control

4.3.1 Home screen



- The screen graphics may change with regular updates to the app.

4.3.2 Start / Stop cleaning and adjust the cleaning time



- When configuring the cleaner, choosing the pool shape allows you to set up customised cleaning modes.

By default, the cleaning surface is **Floor, Walls and Water Line**.

- Immerse the cleaner in the pool.
- In the app's home screen, press **START**.
- The screen shows the remaining cleaning time in hours and minutes.
- To increase or reduce the cleaning time, press **(+)** or **(-)**. These are 30-minute sequences with a minimum of 30 minutes and a maximum of 3 hours 30 minutes.



- The remaining cleaning time displayed in the app is the same as that displayed on the control box.

- Press **STOP** to end a cleaning cycle.

4.3.3 Configuring the cleaning program

- From the app's home screen, select **Cleaning programme** to view the options.
- Select one of the default set-ups: **Express Cleaning**, **Intensive Cleaning** or **Water line only**. The mode selected is highlighted.
- In **Customise**, tap the pictograms to select the options. The options selected will be highlighted.
Surfaces: Floor only / Floor, walls and water line / Water line only
Cleaning intensity: Standard / Intense
- Press **Save** to save the new settings or **(X)** to cancel.
- Press **(X)** to return to the home screen.



- The new cleaning mode will take effect for the cleaning cycle in progress and all future cycles.
- The cleaning cycle time may vary depending on the selected settings.

4.3.4 Remote control mode

The cleaner can be controlled using your smartphone or tablet as a remote control.



- **Use the remote control mode only if you have the cleaner within view.**

- In the app's home screen, select **Remote control**. The control box is displayed .
- Control the cleaner using **joystick mode** or **kinetic mode** (motion sensors). The mode can be changed at any moment.
- **Joystick mode:** Press the icons to move the cleaner **forwards and backwards** and to turn **left or right**.
- **Kinetic mode:** Control the cleaner by tilting the mobile device **upwards** (backwards movement), **downwards** (forward movement), **to the left** (turn left), **to the right** (turn right). The first time you use it, **kinetic** mode will be automatically adjusted/calibrated according to the position of your hand. To change it, press the **Re-calibrate** icon at the top left.
- Press **(X)** to return to the home screen.



- If the cleaner is relatively slow to respond to an action requested in the app, check the Wi-Fi network signal, see "4.2 | First-time cleaner configuration"

4.3.5 "Lift System" remove from pool mode

The Lift System function was designed to facilitate removing the cleaner from the water. It may be activated at any time, during or at the end of a cleaning cycle.



- **Only activate the Lift System function if the cleaner is in view.**

- In the app's home screen, select **Lift System**.
- To guide the cleaner to the desired pool wall, use the **left** or **right** arrow.
- When the cleaner is against the pool wall, press **Lift System**. The cleaner will start to move to the pool wall and raise itself to the water line.



- To stop an action in progress, press **Lift System** again.

- Using the handle, lift the cleaner from the water. At this point, the cleaner will expel a powerful jet of water. It will then be lighter to lift from the pool.
- Fully remove the cleaner from the water.
- Press **(X)** to return to the home screen.



- **Do not pull the floating cable to lift the cleaner and remove it from the water; use the cleaner's handle.**

4.3.6 Programming or cancelling cleaning cycles

Cleaning cycles may be programmed to repeat.



- **You are strongly encouraged to remove and clean the filter after each cleaning cycle.**

- From the app's home screen, select **Next cycle** or go to **Parameters** and select **Changer timers**.
- Select the **day** of the week. Only one programme can be set per day.
- Select the **start time** for the cleaning cycle.



- The time display can be customised from the **Settings** menu. Simply activate or deactivate the **24h time format**; if deactivated, the time will be displayed in **a.m.** or **p.m.** format.

- Press **Save** to save the programming or **Cancel** to erase it.

Repeat these steps to program other cleaning cycles.



- The cleaning cycle duration may vary depending on the settings selected in the **Cleaning programme**, see "4.3.3 Configuring the cleaning program".

- To delete a programmed cycle, select the **day** programmed and press **Delete programming**.
- Press **(X)** to cancel and return to the home screen.

The next cleaning cycle programmed is displayed on the home screen.



- The cleaning cycle that will start during programming will be the last cleaning program selected, see "4.3.3 Configuring the cleaning program".

4.3.7 Error messages and troubleshooting - in the iAquaLink™ app

If an error is detected, a warning symbol will be displayed on the home screen .

- Press the warning symbol  to display the troubleshooting solutions, see "6.2 | Error codes".
- Press **Clear Error** if you think you have solved the problem, or select **OK** if you want to leave the cleaner in error mode and troubleshoot the problem later.

4.3.8 Settings Menu

Some of the cleaner's settings can be modified at any time by pressing the icon at the top right.

4.3.9 Use in "Wi-Fi Direct" mode

In **Wi-Fi Direct** mode, the smartphone or tablet communicates directly in Wi-Fi with the cleaner's control box without passing via Internet.

If necessary, the iAquaLink™ app can be used in **Wi-Fi Direct** mode to access certain functions and benefit from a quicker connection.



- **Wi-Fi Direct mode stops after 10 minutes.**
- **The iAquaLink™ app can only be used by one user at a time in Wi-Fi Direct mode.**

- Go to the menu with the three bars and select **My Appliances**.
- Press (+), then **Add cleaner**.
- Select **Wi-Fi Direct**.
- Press the "**Wi-Fi Direct**"  button on the control box. *The LED lights up to indicate that the smartphone can now connect to the control box.*



- The LED of the "**Wi-Fi Direct**"  button switches off automatically after 3 minutes.
- Press the "**Wi-Fi Direct**"  button on the control box once more to activate the signal.

- Continue set-up, following the instructions on your smartphone or tablet.
- Go to your phone or tablet's Wi-Fi settings, then select "**RoboticCleaner-*****".
(******* is a unique code for the cleaner you are connecting to).
- Then return to the iAquaLink™ app and click on "**Steps 1,2,3 complete**".
- Once the control box and the mobile device are communicating, press **Pass**. The home screen will be displayed.



- Any cleaner user can be identified as a primary user via the **Settings** menu.



5 Maintenance



To avoid serious injury:

- Disconnect the cleaner from the power supply.

5.1 I Cleaning the cleaner

- The appliance must be cleaned regularly using clean or slightly soapy water. Do not use solvents.
- Rinse the appliance thoroughly with clean water.
- Do not let your appliance dry in the sun by the pool.



Tip: replace the filter and brushes every 2 years

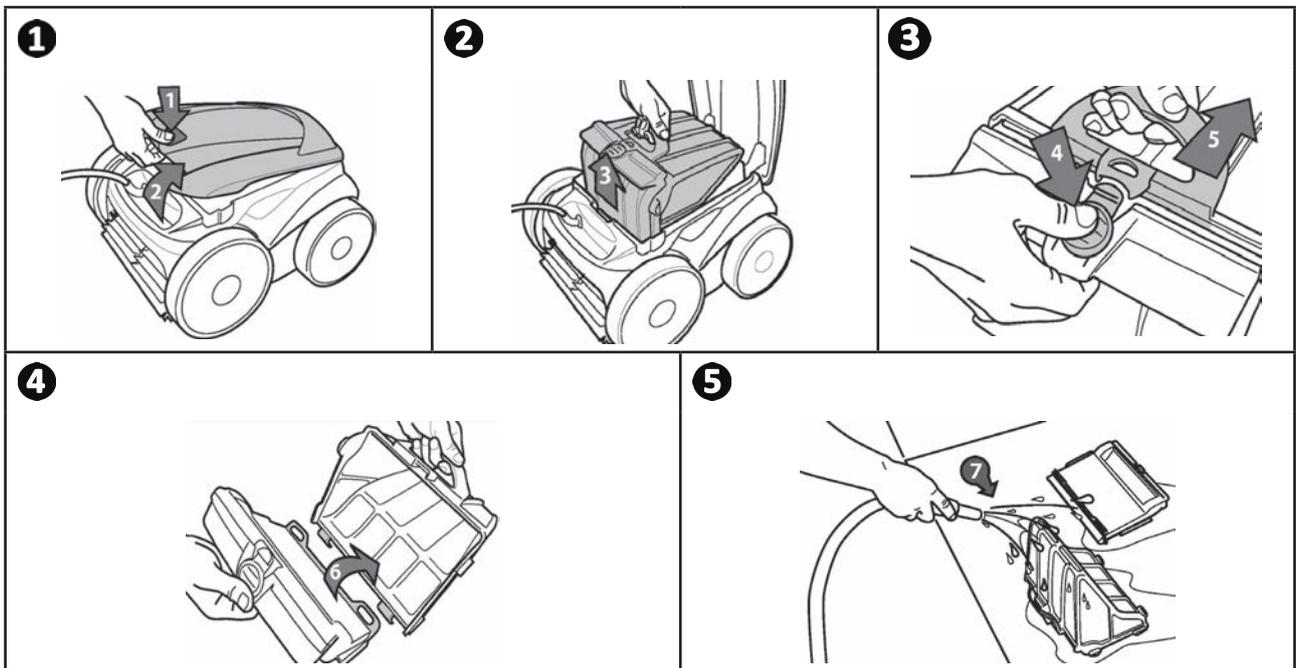
You are encouraged to change the filter and the brushes every 2 years to preserve the integrity of the appliance and guarantee optimum performance.

5.2 I Cleaning the filter



- The cleaner's performance may be reduced if the filter is full or dirty.
- Clean the filter with clean water after each cleaning cycle.

- If the filter is blocked, clean it with an acid solution (spirit vinegar, for example). It is recommended that you do this at least once a year, since the filter will clog if not used for several months (winterising period).



Tip: Check the status of the "filter cleaning" indicator

When the LED is lit, it is strongly recommended that you clean the filter.

5.3 I Cleaning the propeller

To avoid serious injury:

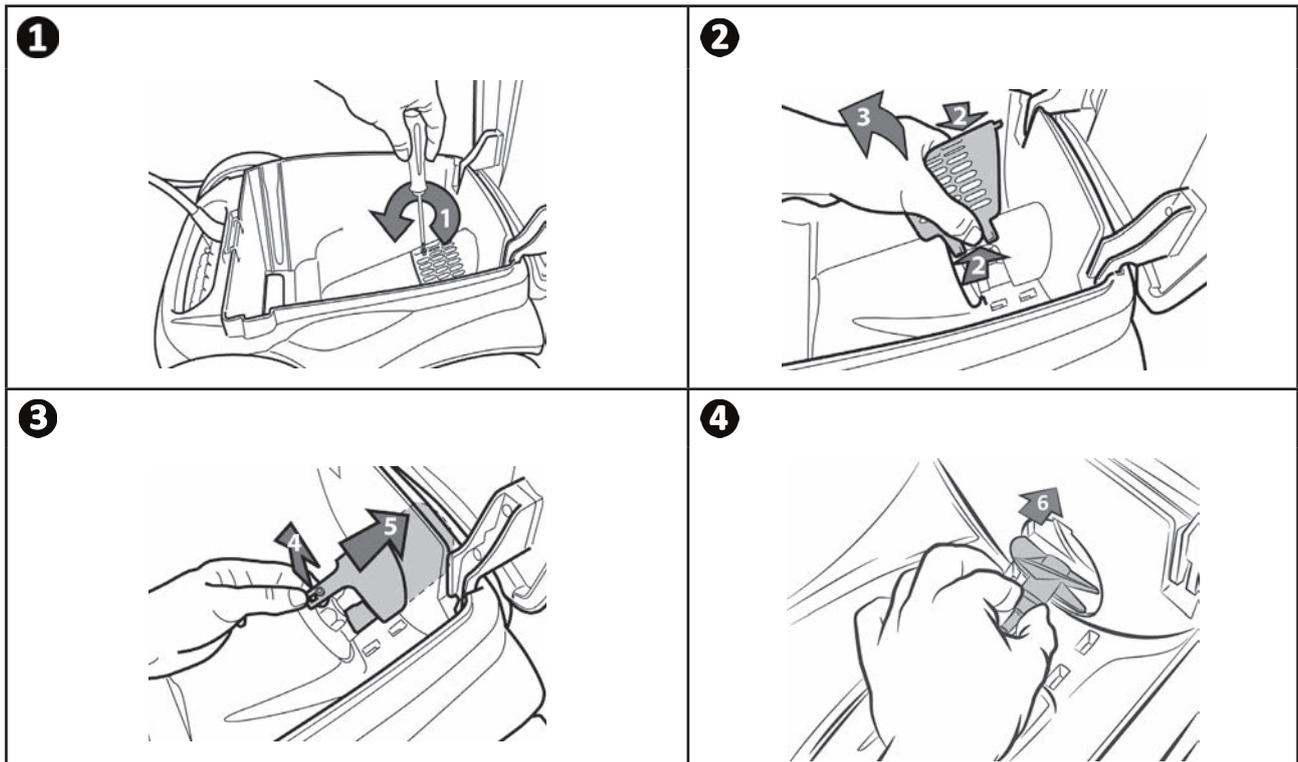


- Disconnect the cleaner from the power supply.
- Wear gloves when maintaining the propeller



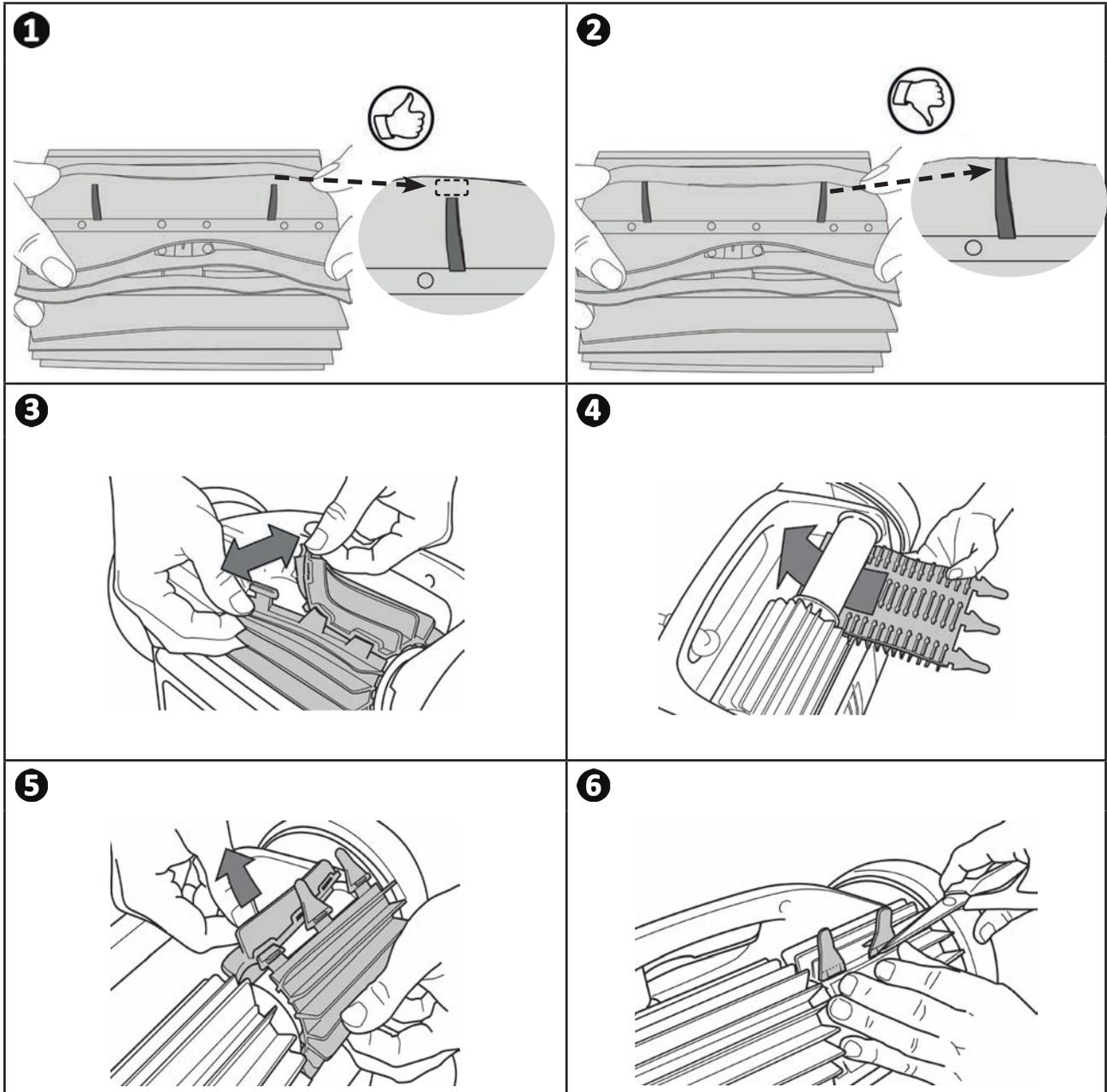
- Loosen the screw on the grid (see image 1).
- Remove the grid (see image 2).
- Remove the flow guide carefully (see image 3).
- To remove the propeller, wear gloves and hold the end of the propeller carefully when pushing it (see image 4).
- Remove all debris (hair, leaves, stones, etc.) which may be blocking the propeller.

EN

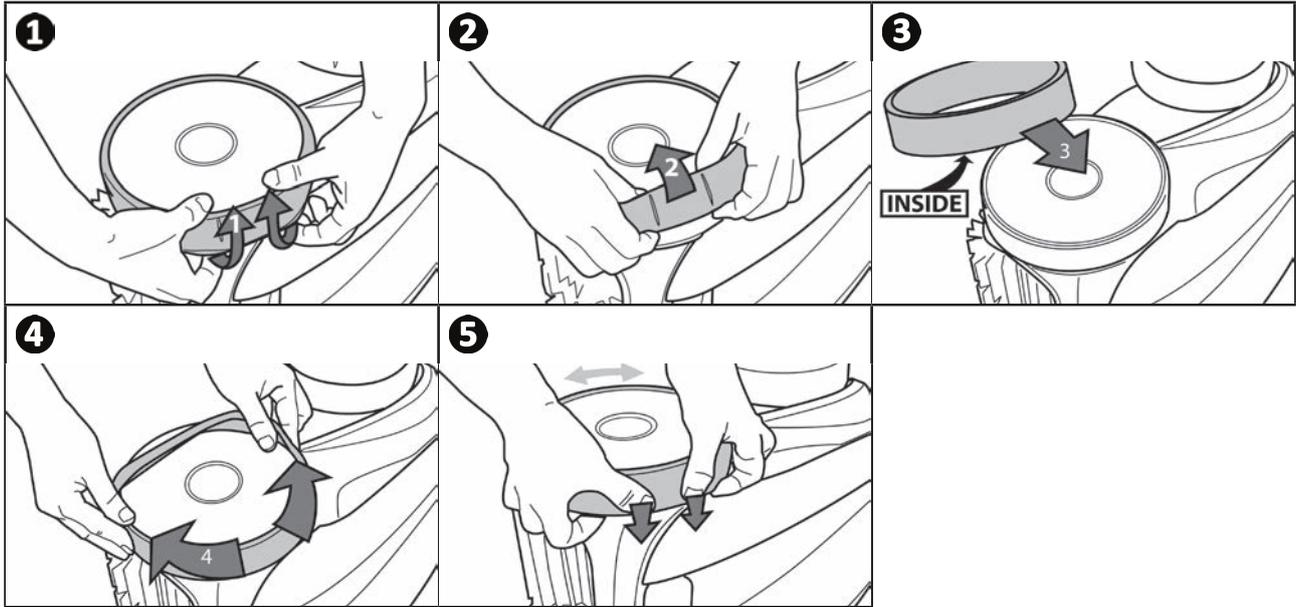


➤ 5.4 I Replacing the brushes

- Each brush is equipped with wear indicators, the difference between the indicators and the end of the brush indicates that the brush is in good condition (see image ➊).
- When the wear indicators look like those shown in the image ➋, the brushes are worn and must be replaced.
- To remove worn brushes, remove the tabs from the holes in which they are fixed (see image ➌).
- To fit new brushes, start by fitting the side without tabs under the brush holder (see image ➍).
- Roll the brush around its support, slide the tabs into the attachment holes and pull on the end of each tab until its edge passes through the slit (see image ➎).
- Cut the tabs using a pair of scissors for them to be level with the other blades (see image ➏).



➤ 5.5 I Changing the tyres



EN



6 Troubleshooting



- If a problem occurs, before you contact your retailer, please carry out these few simple checks using the following tables.
- If the problem continues, contact your retailer.
-  : Actions to be performed by a qualified technician only.

6.1 I Appliance behaviour

Part of the pool is not correctly cleaned	<ul style="list-style-type: none"> • Repeat the immersion steps (see § "3.3 I Immersing the cleaner"), varying the immersion location until you find the right place in the pool.
The appliance does not stay firmly on the pool floor	<ul style="list-style-type: none"> • There is still air in the appliance's casing. Repeat the immersion operations (see § "3.3 I Immersing the cleaner"). • The filter is full or dirty: clean it. • The filter is clogged: change it. • The propeller is damaged: 
The appliance does not or no longer climbs the pool walls as it originally did.	<ul style="list-style-type: none"> • The filter is full or dirty: clean it. • The filter is clogged: change it. • The tyres are worn: replace them. • Even though the water seems clear, microscopic algae are present in your pool. They are not visible to the naked eye, and they make the walls slippery and prevent the appliance from climbing. Carry out shock chlorination and slightly reduce the pH. Do not leave the appliance in the water during shock treatment.
The appliance does not move on start-up.	<ul style="list-style-type: none"> • Check that the control box's power socket is receiving a power supply. • Check that a cleaning cycle has been launched and that the lights are on.
The cable gets tangled	<ul style="list-style-type: none"> • Do not unroll the entire length of the cable into the pool. • Place the required length of cable in the pool and spread the rest along the side of the pool.
The control box does not respond to any button presses.	<ul style="list-style-type: none"> • Unplug the power cord from the mains socket, wait 10 seconds and plug it back in again.

If the problem continues contact your retailer: 

6.2 | Error codes

- The error codes are displayed both on the control box and in the iAquaLink™ app.
- Follow the troubleshooting solutions suggested below; they can also be accessed in the iAquaLink™ app: press  when an error code appears.

Display on control box	Display in the iAquaLink™ app	Solutions
1	Pump motor	<ul style="list-style-type: none"> • Check that debris or the cable is not preventing the brushes from rotating freely. • Check that nothing is interfering with the cable connection area. • Rotate each wheel by a quarter of a turn in the same direction until it rotates smoothly • If this fails to solve the problem, contact your retailer for a full diagnosis.
2	Right traction motor	
3	Left traction motor	
4	Pump motor consumption	<ul style="list-style-type: none"> • Check that no debris or hair is blocking the propeller. • Clean the filter thoroughly. • If this fails to solve the problem, contact your retailer for a full diagnosis.
5	Right traction motor consumption	<ul style="list-style-type: none"> • Check that debris or the cable is not preventing the brushes from rotating freely. • Check that nothing is interfering with the cable connection area. • Rotate each wheel by a quarter of a turn in the same direction until it rotates smoothly • If this fails to solve the problem, contact your retailer for a full diagnosis.
6	Left traction motor consumption	
7	Cleaner out of the water	<ul style="list-style-type: none"> • Turn the cleaner off. • Clean the filter thoroughly. • Put it back in the water, shaking to release the air bubbles. • Restart the cycle. • If this fails to solve the problem, please contact your retailer for a full diagnosis.
8		
N/A	N/A	<ul style="list-style-type: none"> • The cleaner did not finish its cycle correctly. • Restart a cleaning cycle
10	Communication	<ul style="list-style-type: none"> • Disconnect and reconnect the cleaner. • Check that the cable is properly connected to the control box. • Check that nothing is interfering with the cable connection area. • If this fails to solve the problem, contact your retailer for a full diagnosis.
N/A	Connection error	<ul style="list-style-type: none"> • Check the status of the LAN/WEB LEDs on the control box and follow the steps described in the table "6.3 Troubleshooting the connection to the iAquaLink™ app".
N/A	A red dot appears in the "My appliances" list	<ul style="list-style-type: none"> • Appliance not plugged in or not connected to the home Wi-Fi network. If the dot is red when the control box is plugged in and if the LAN and WEB icons are lit up, refresh the screen (by swiping downwards). • If the dot turns green: the appliance is ready for use.

EN

If the problem continues contact your retailer: 

Deleting an error code

Using the control box:

- After following the troubleshooting solutions, press any key to delete the error code (except the "Wi-Fi Direct"  button).

From the iAquaLink™ app:

- After following the troubleshooting solutions, press **Delete Error**.

6.3 I Troubleshooting the connection to the iAquaLink™ app

- Before you connect to a new Wi-Fi network, reset the parameters of your current Wi-Fi network or simply change the Wi-Fi password. You will have to re-establish the connection between the control box and the new Wi-Fi network, see "4.2 I First-time cleaner configuration".

Control box status	Possible causes	Solutions
<ul style="list-style-type: none"> • All LEDs are off 	<ul style="list-style-type: none"> • Very bright light 	<ul style="list-style-type: none"> • Cover the appliance to protect it from the sun's rays and check that the light indicators turn on.
	<ul style="list-style-type: none"> • Control box disconnected 	<ul style="list-style-type: none"> • Connect the control box (see "3.4 I Electricity supply connection").
	<ul style="list-style-type: none"> • Power cut 	<ul style="list-style-type: none"> • Check that there is power to the circuit breaker. • Check that there is power to the socket by connecting another appliance to it.
	<ul style="list-style-type: none"> • Internet connection lost 	<ul style="list-style-type: none"> • Check the internet connection - the network may be down.
<ul style="list-style-type: none"> • The LAN/WEB LEDs are off • LAN/WEB LEDs are lit but the Wi-Fi connection is non-existent (or spotty). The "Connection Error" message is displayed on the screen in the iAquaLink™ app. 	<ul style="list-style-type: none"> • Internet connection lost • Weak Wi-Fi signal* • The control box is too far from the home Wi-Fi router 	<ul style="list-style-type: none"> • Check the internet connection - the network may be down. • Ensure that you have a sufficiently strong Wi-Fi signal. There are several ways to check the strength of the Wi-Fi signal: <ul style="list-style-type: none"> - Unplug the home Wi-Fi router, then plug it back in. - Using a laptop, go into Configuration Panel to see the status of your network connections. Check the strength of the wireless network signal on the laptop by checking the status of the control box connection. - Install the iAquaLink™ app, using a smartphone or tablet. Check the strength of the wireless network signal on the mobile device by checking the status of the control box connection. If the Wi-Fi network is weak, install a Wi-Fi extender. - Use an app dedicated to analysing the Wi-Fi connection: several are available in iOS or Android. • On initial set-up, place the cleaner's control box as close as possible to the home Wi-Fi router. Do not use an electrical extension (see "3.4 I Electricity supply connection"), then repeat the configuration steps (see "4.2 I First-time cleaner configuration"): <ul style="list-style-type: none"> - Once the LAN/WEB LEDs light up, plug in the control box near the pool. - If the LAN/WEB LEDs do not light up, plug in the control box again as close to the house as possible. - If the LAN/WEB LEDs still do not light up, install a Wi-Fi extender.
<ul style="list-style-type: none"> • LAN/WEB LEDs are on but the connection is unsuccessful. 	<ul style="list-style-type: none"> • The smartphone may not have properly disconnected from the "RoboticCleaner-****" Wi-Fi in order to reconnect to the home Wi-Fi or to the 3G or 4G network. 	<ul style="list-style-type: none"> • If the smartphone is still connected to the "RoboticCleaner-****" Wi-Fi, manually disconnect the "RoboticCleaner-****" Wi-Fi. • Then, if connection is not made automatically, manually connect the smartphone to the home Wi-Fi or 3G or 4G network.

Control box status	Possible causes	Solutions
<ul style="list-style-type: none"> • Only one LED is on: LAN or WEB. 	<ul style="list-style-type: none"> • Connection problem with the Local Wi-Fi network or to the server. 	Contact your Internet service provider. <ul style="list-style-type: none"> • Disconnect the home Wi-Fi router for 10 seconds. Re-connect it and see whether the LEDs come back on. • Check the internet connection - the network may be down.
<ul style="list-style-type: none"> • The LAN/WEB LEDs are flashing. 	<ul style="list-style-type: none"> • A software update is in progress. 	<ul style="list-style-type: none"> • The LEDs may flash for 10 minutes until the update is complete.

***There may be several reasons for a weak Wi-Fi signal**

- The distance between the router (box) and the cleaner's control box,
- The type of router (box),
- The number of walls separating the router (box) from the cleaner's control box,
- The Internet service provider,
- etc...

Votre revendeur
Your retailer

Modèle appareil
Appliance model

Numéro de série
Serial number

Pour plus d'informations, enregistrement produit et support client:
For more information, product registration and customer support:

www.zodiac.com

